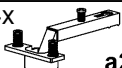

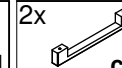
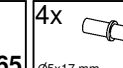
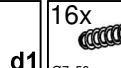
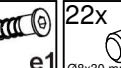
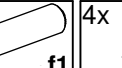
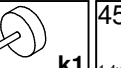

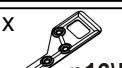
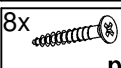
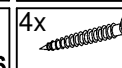
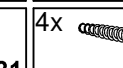
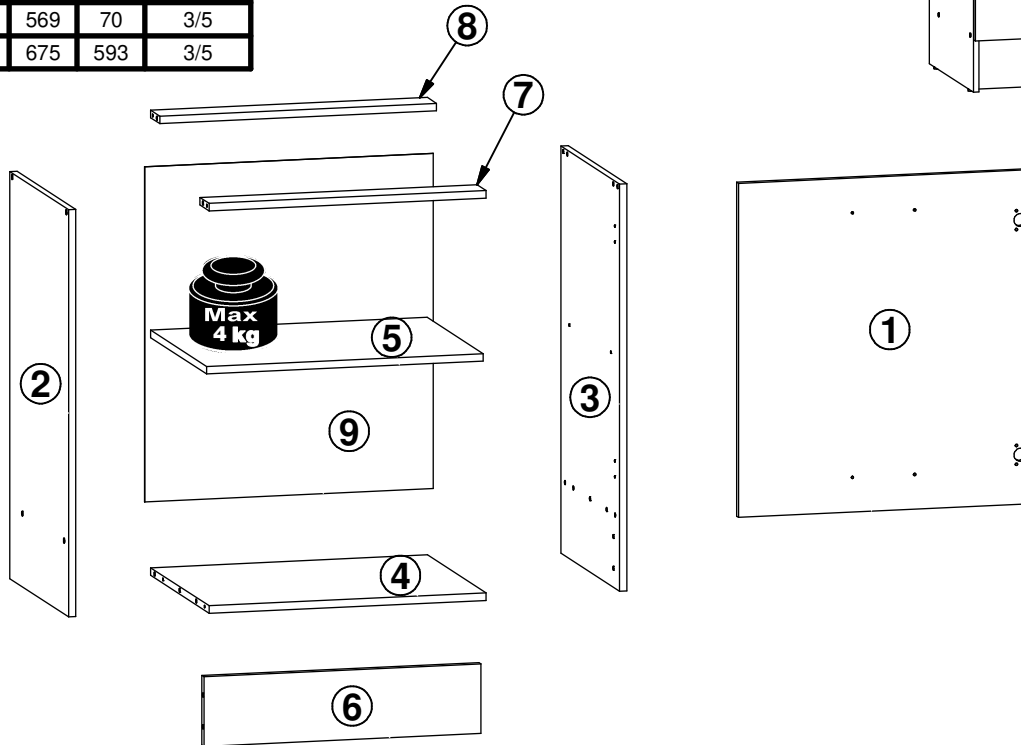
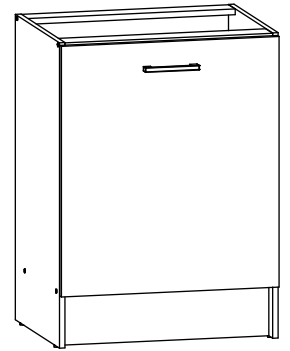
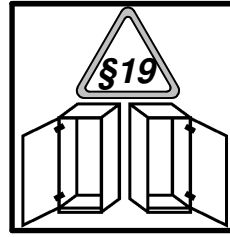
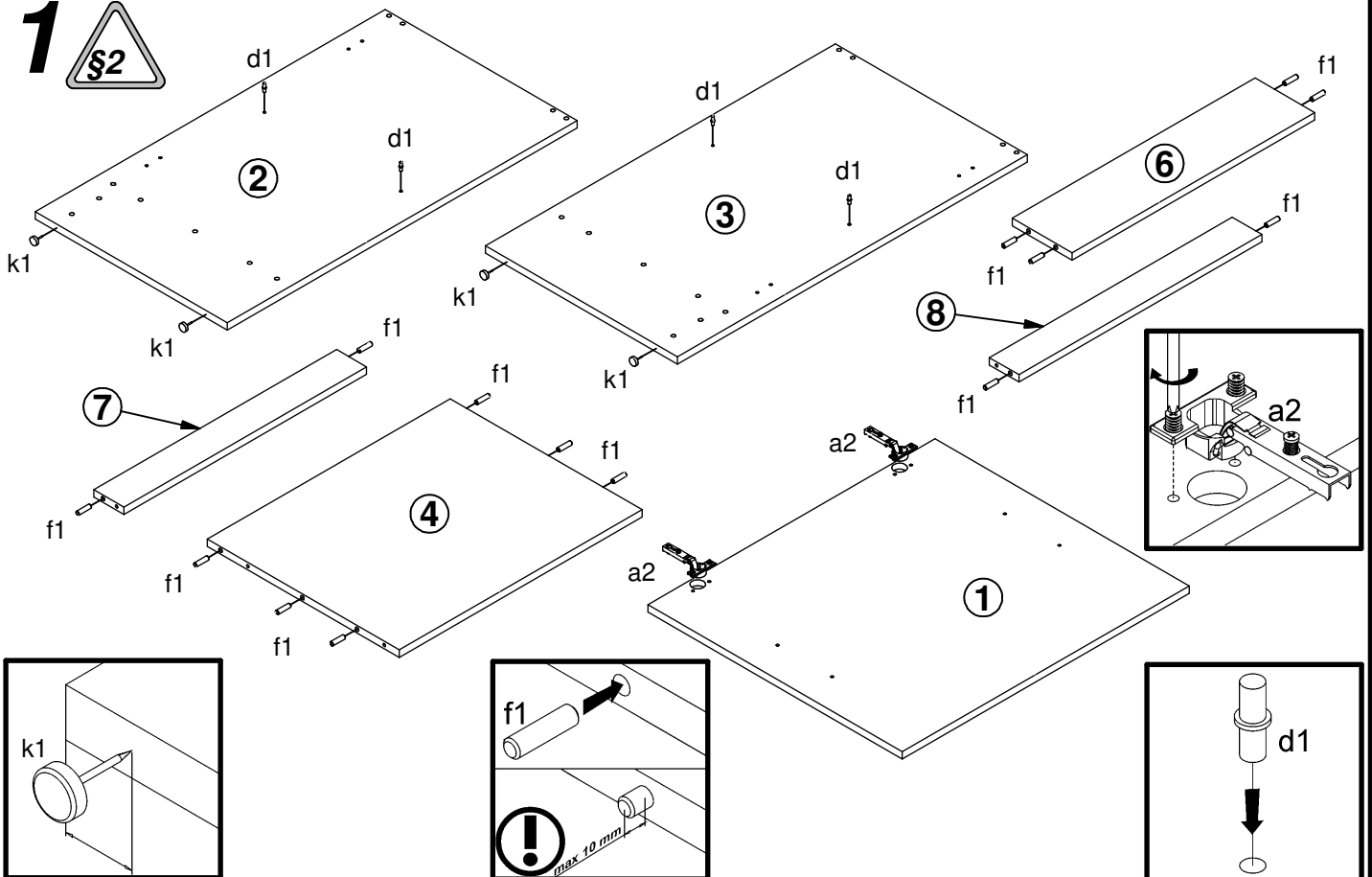


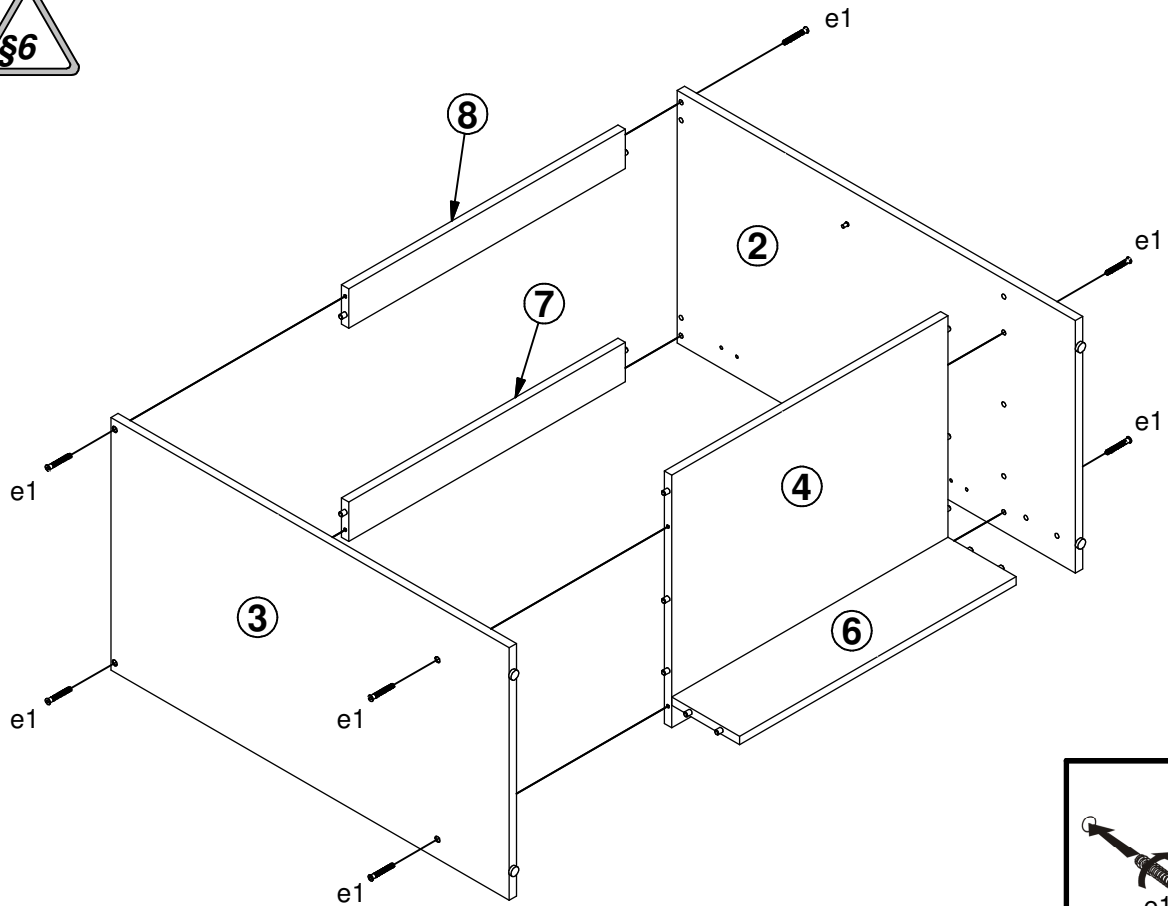
4x  a2	4x  b1	2x  c565	4x  $\varnothing 5 \times 17 \text{ mm}$ d1	16x  $\varnothing 7 \times 50 \text{ mm}$ e1	22x  $\varnothing 8 \times 30 \text{ mm}$ f1	4x  k1	45x  $1.4 \times 20 \text{ mm}$ l1	1x  n16L	
1x  n16P	8x  $\varnothing 3.5 \times 25 \text{ mm}$ p16	4x  $\varnothing 4 \times 30 \text{ mm}$ p21	4x  $\varnothing 4 \times 22 \text{ mm}$ p60						

**A****SARA****K44-D1D/60/82**

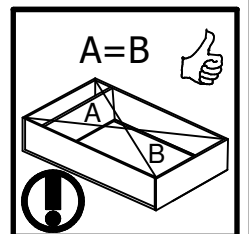
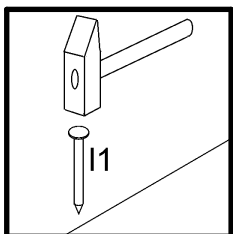
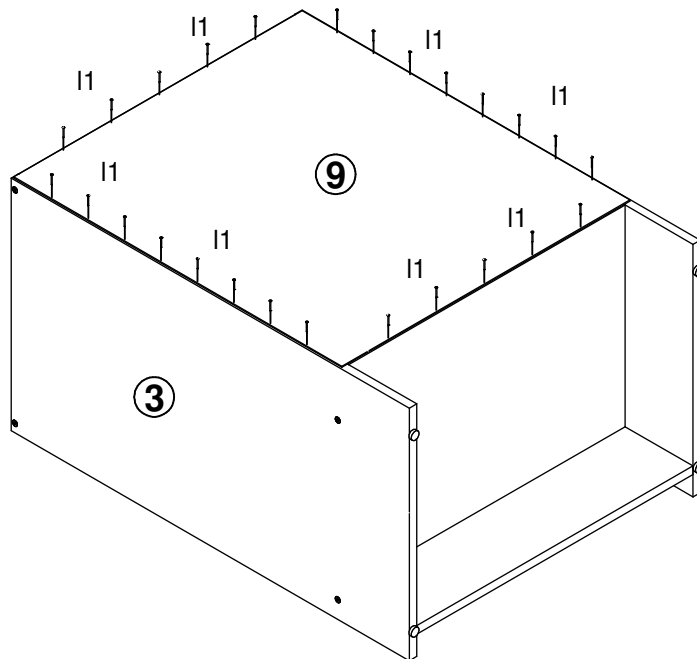
A	B	C	D	
1	K44-0009	596	673	5/5
2	K44-1002	820	450	3/5
3	K44-1003	820	450	3/5
4	K44-3011	569	450	3/5
5	K44-3012	568	430	3/5
6	K44-4006	569	140	3/5
7	K44-4007	569	70	3/5
8	K44-4008	569	70	3/5
9	K44-9005	675	593	3/5

**1** §2

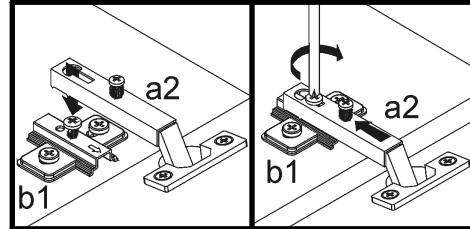
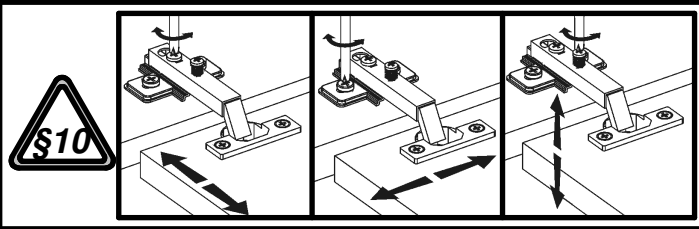
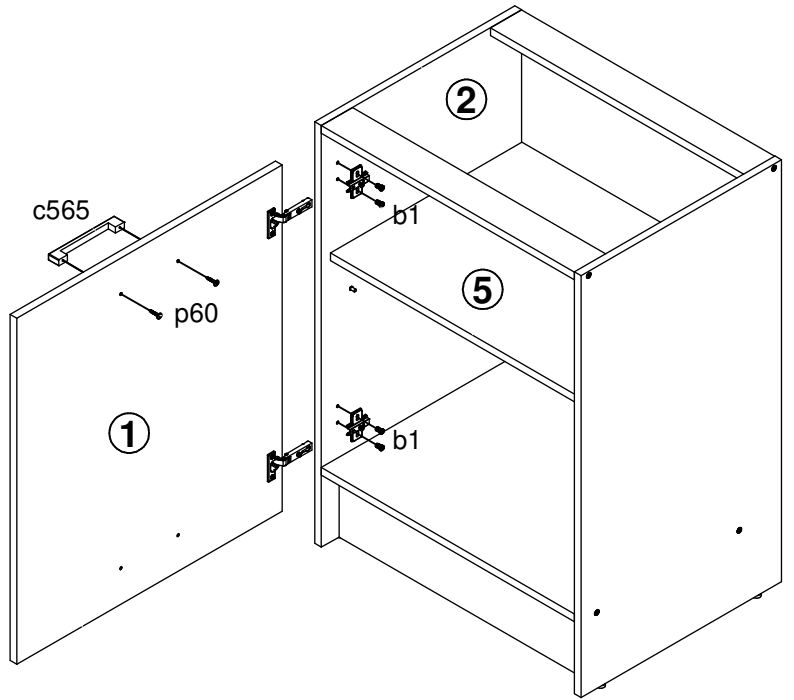
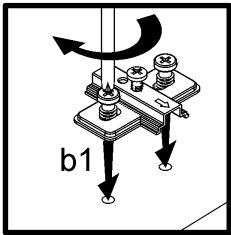
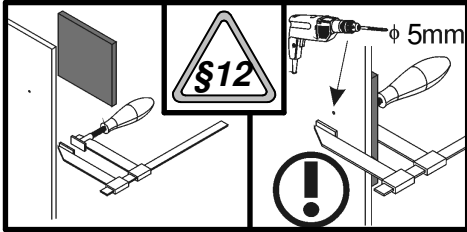
# 2



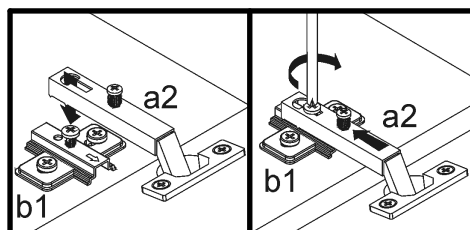
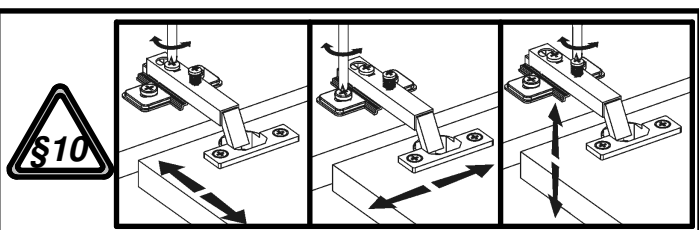
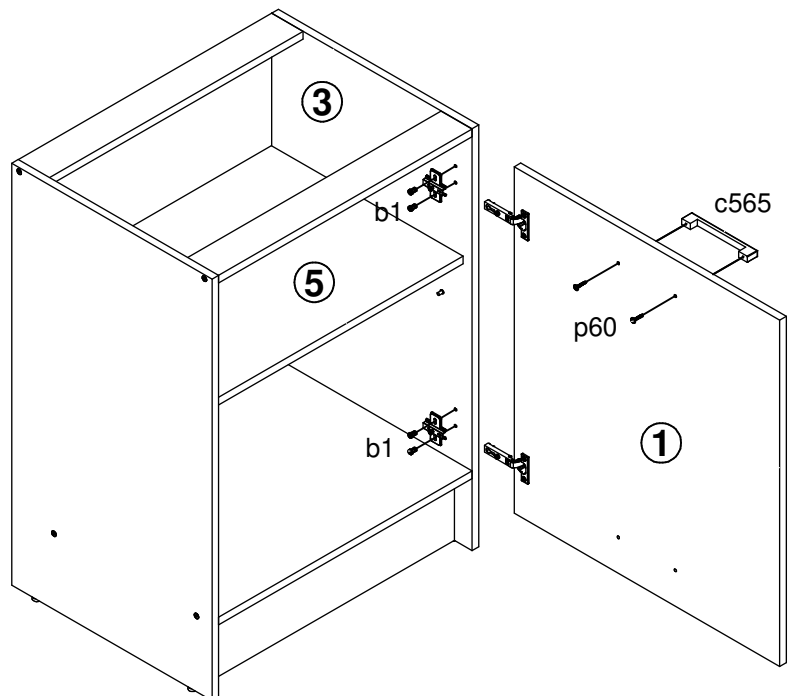
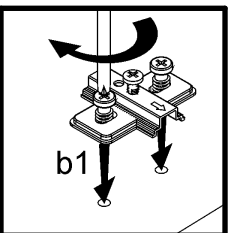
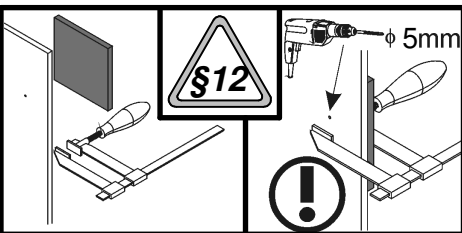
# 3



# 4A

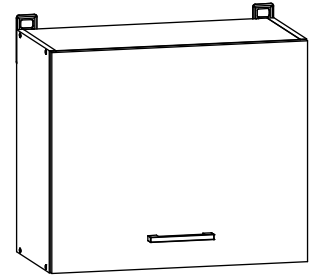
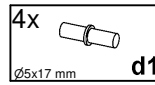
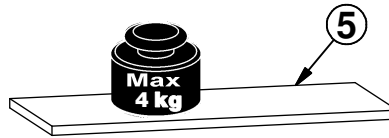


# 4B

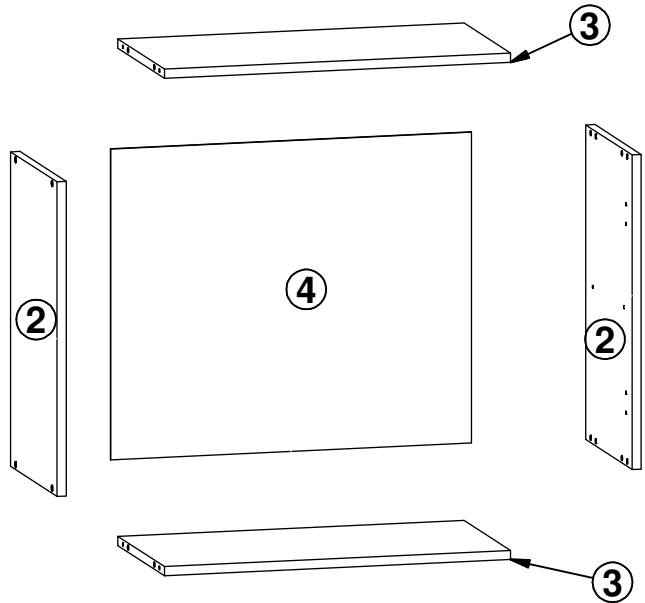
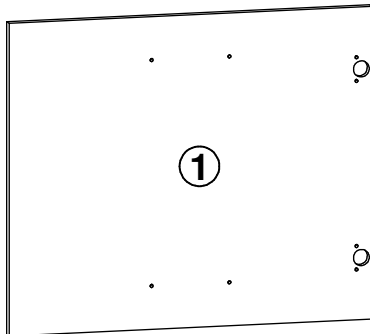
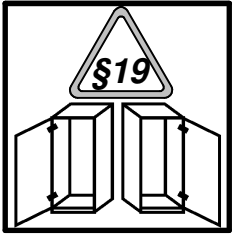
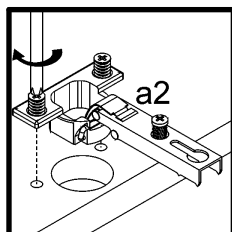
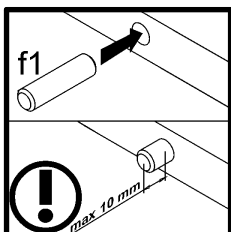
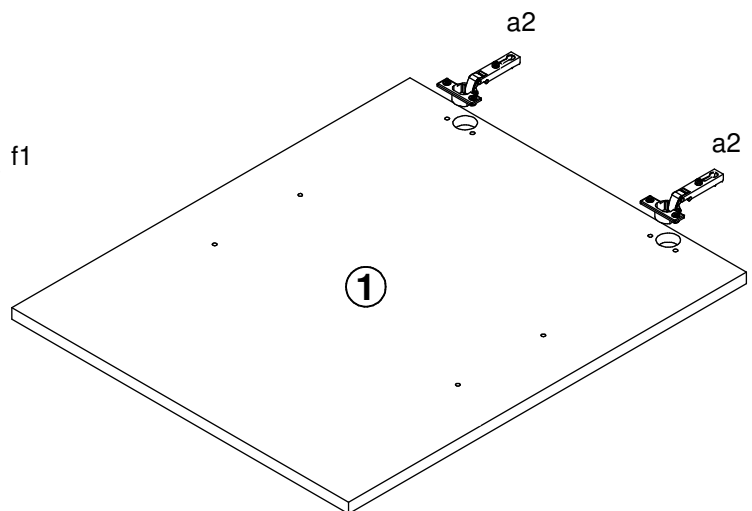
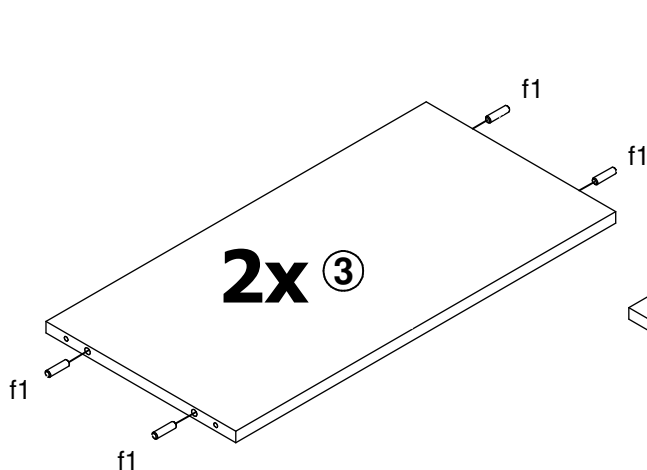


**A****SARA****K44-G1D/60/51**

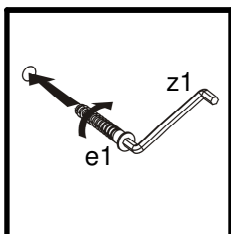
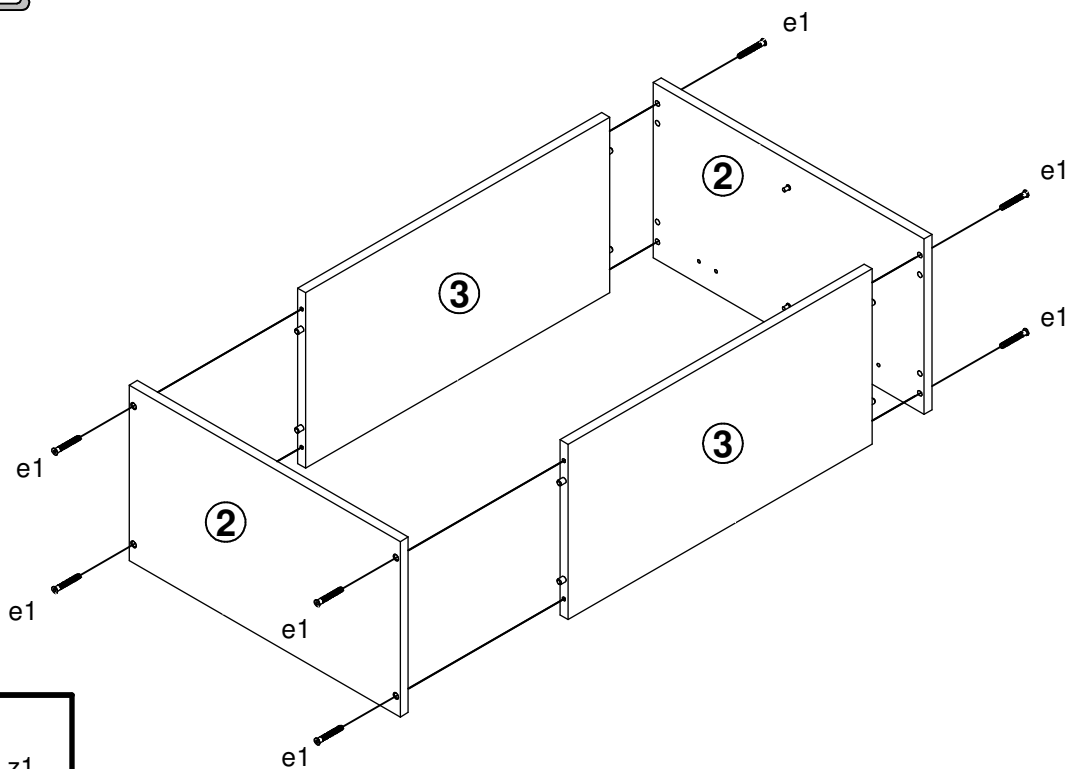
A	B	C	D
1	K44-0003	596	504
2	K44-1001	507	284
3	K44-3009	569	284
4	K44-9007	501	593



5	K44-3013	568	260	1/1
---	----------	-----	-----	-----

**5** 

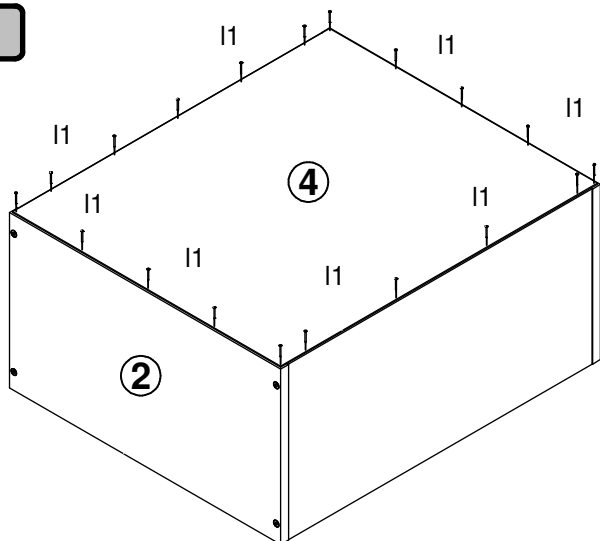
# 6



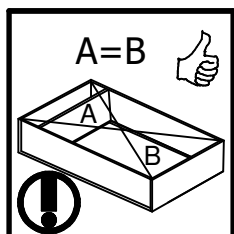
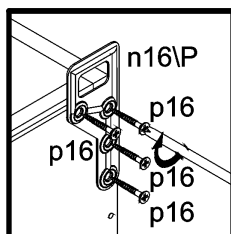
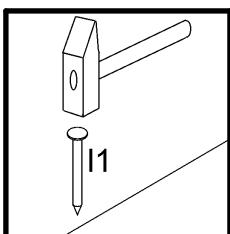
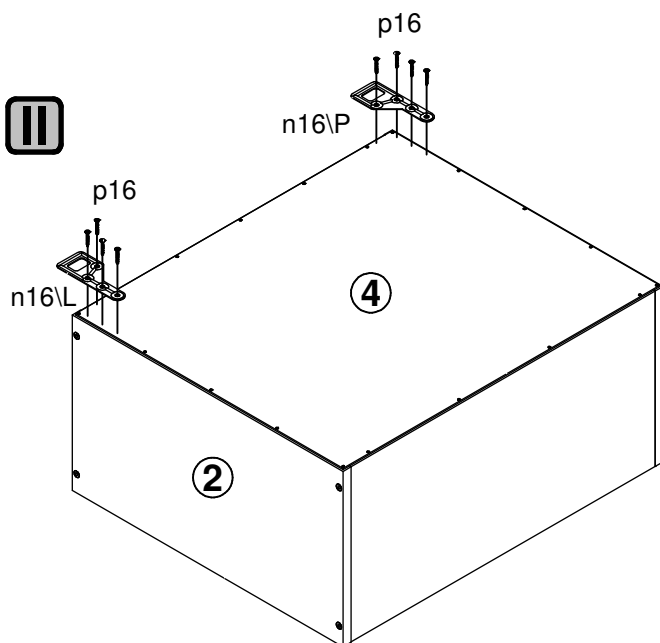
# 7



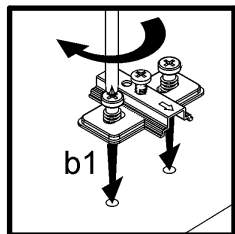
I



II



# 8A



c565

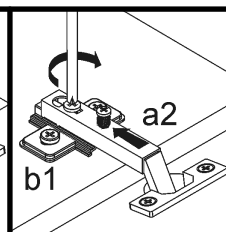
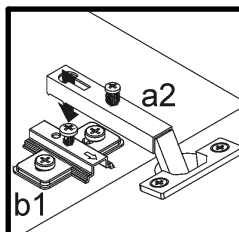
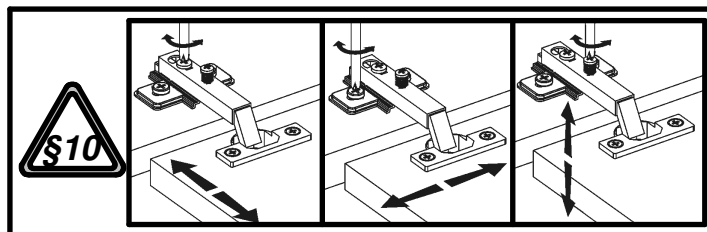
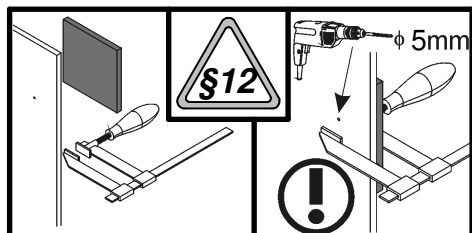
1

b1

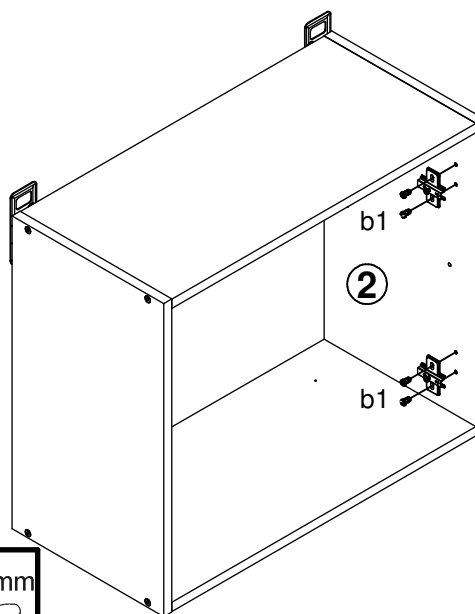
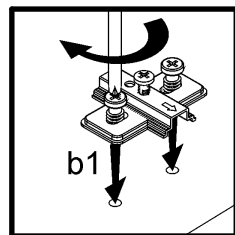
2

b1

p60



# 8B



b1

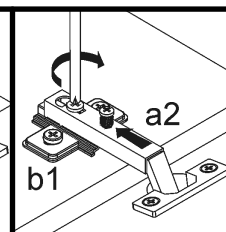
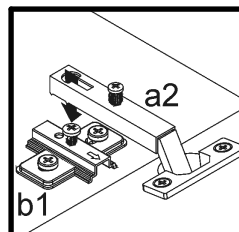
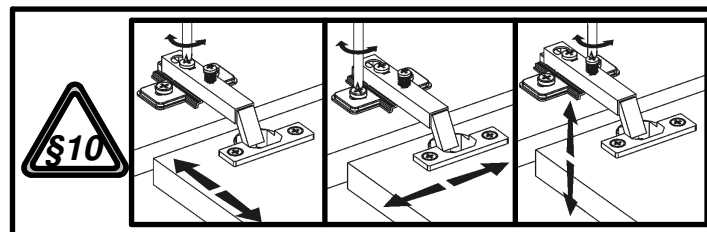
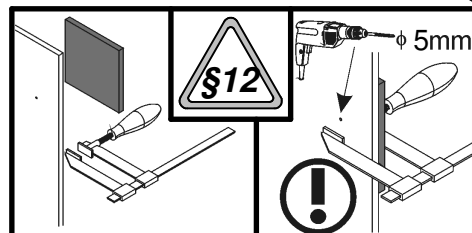
2

b1

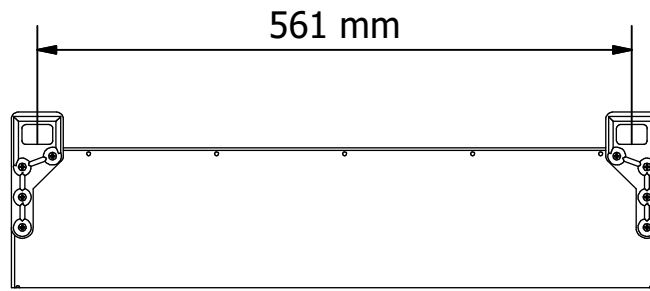
c565

1

p60



# 9



# 10

