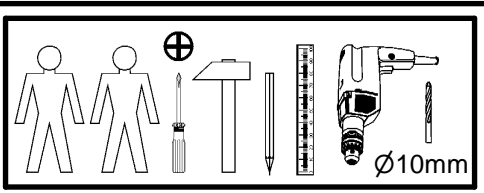
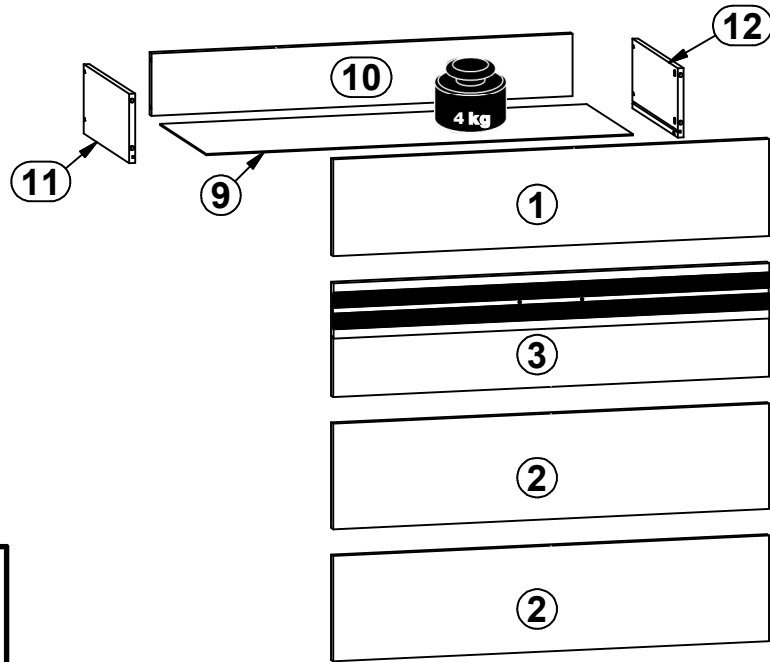
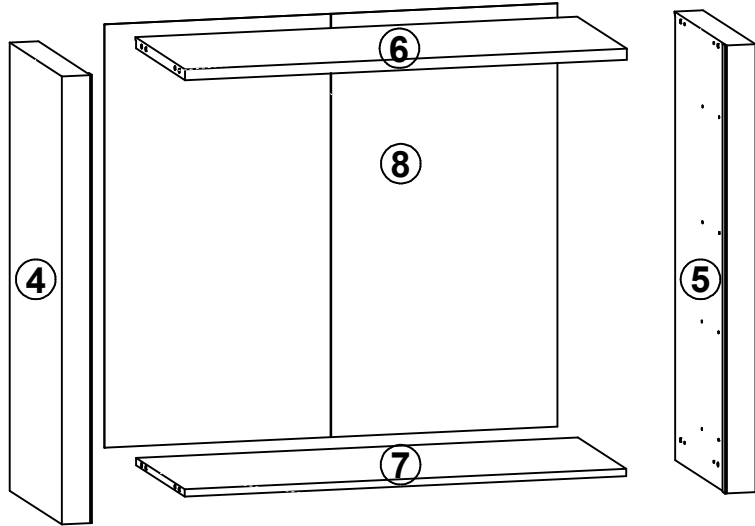
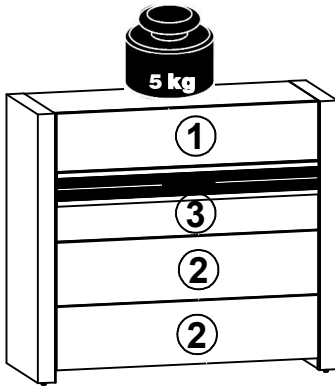
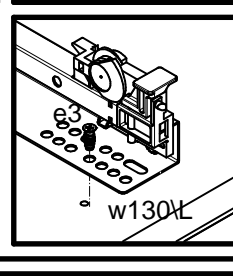
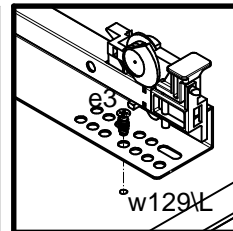
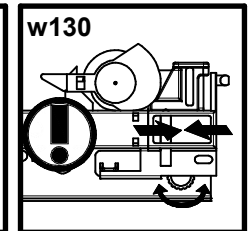
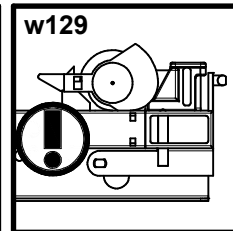
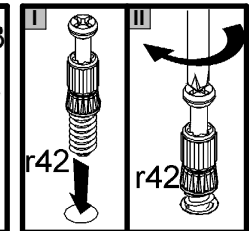
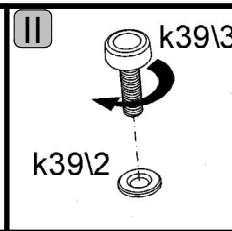
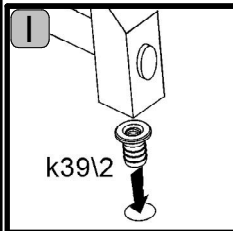
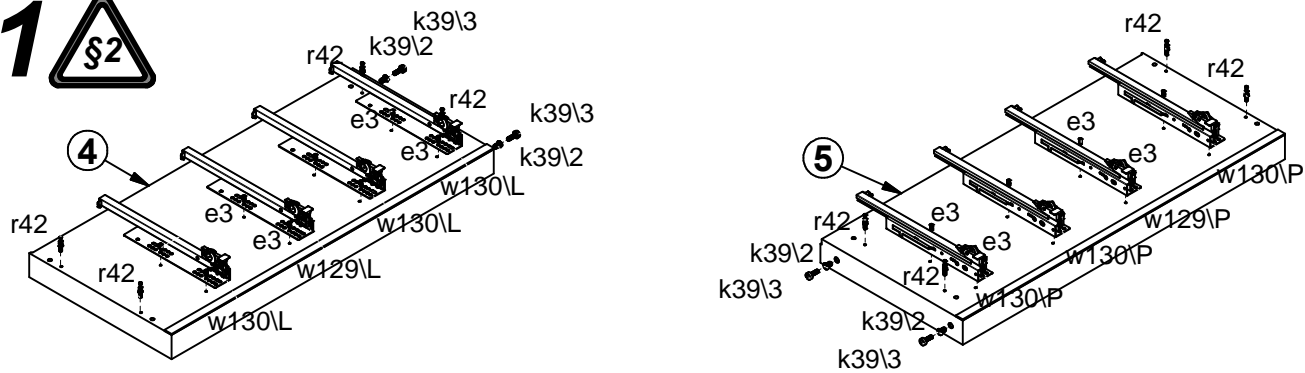


A	B	C	D	
1	S306-001	896	196	3/3
2	S306-002	896	213	3/3
3	S306-003	896	230	3/3
4	S306-101	905	400	1/3
5	S306-102	905	400	1/3
6	S306-310	908	380	2/3
7	S306-325	908	372	2/3
8	S306-901	855	931	1/3
9	S306-902	877	356	1/3
10	ZT1-532	866	126	1/3
11	ZT6-501	350	140	2/3
12	ZT6-502	350	140	2/3

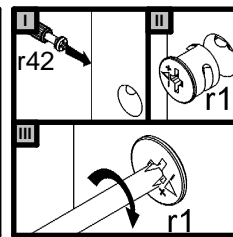
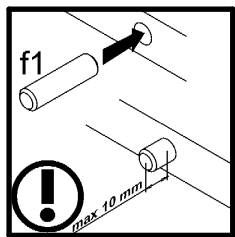
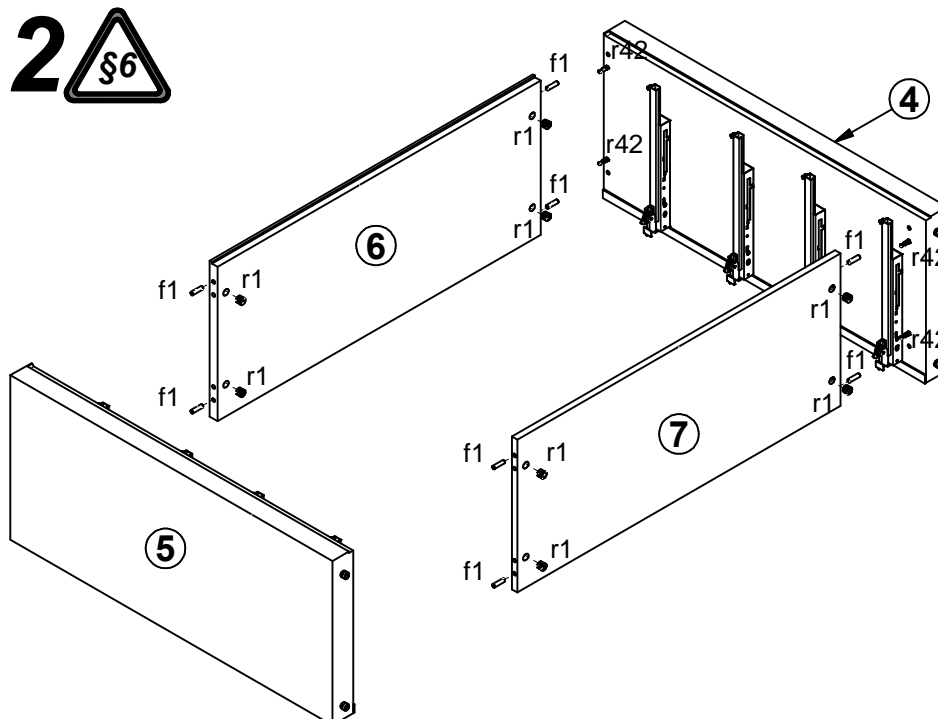


1x 128mm c399	16x Ø6x13 mm e3	8x Ø8x30 mm f1	16x Ø6.5x40 mm f25	2x M4x20 mm j1	4x M6/Ø14x14 mm k39\2	4x M6/22 mm k39\3	40x l1	4x Ø3.5x16 mm p25
4x Ø3.5x10 mm p35	32x Ø3.5x16 mm p38	8x Ø15x12 mm #16 r1	16x Ø12x10.5 mm #12 r15	24x 20/11 r42	4x 350 mm t35	1x 350 mm w129\L	1x 350 mm w129\P	3x 350 mm w130\L
3x 350 mm w130\P	1x n26\1	1x Ø3.5x16 mm p38						

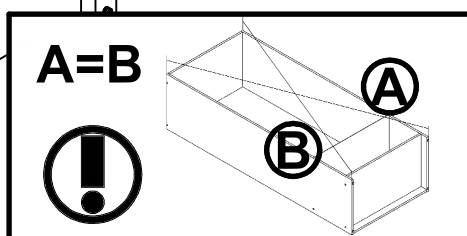
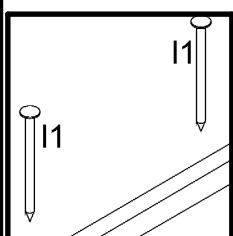
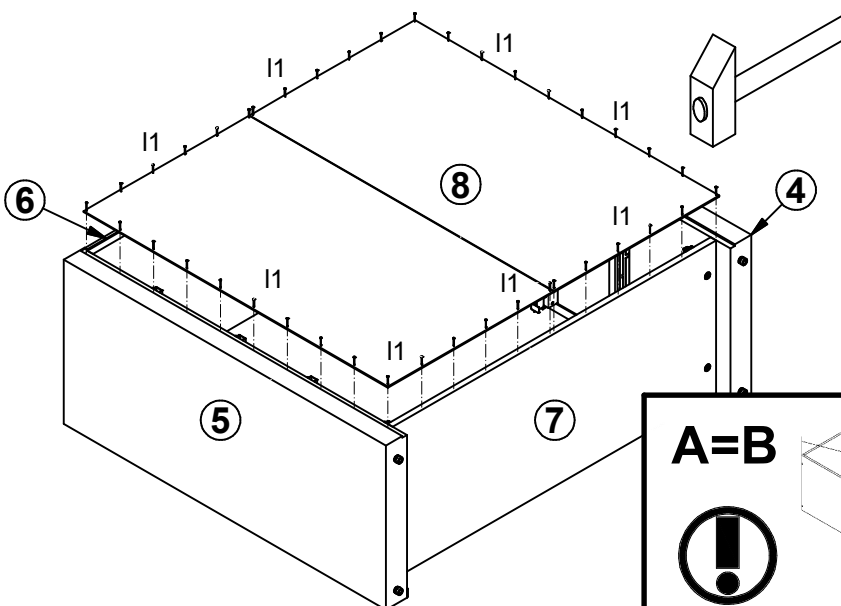
1



2

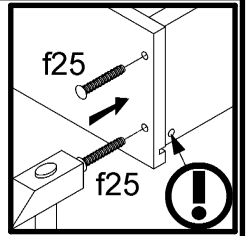
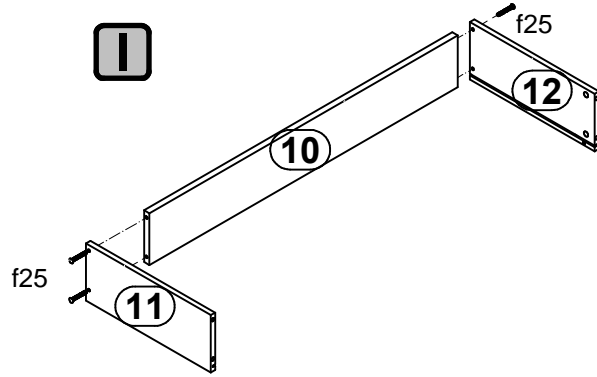


3

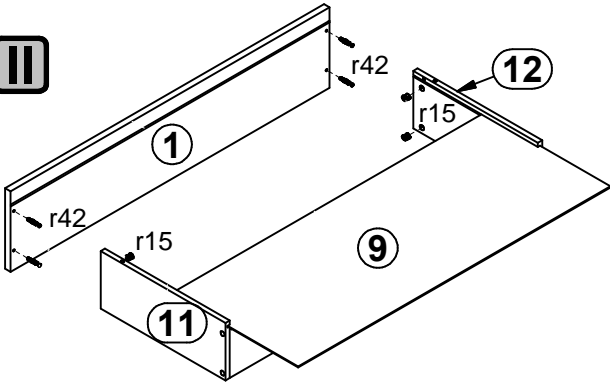


4

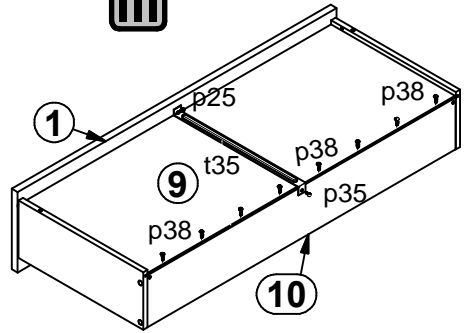
I



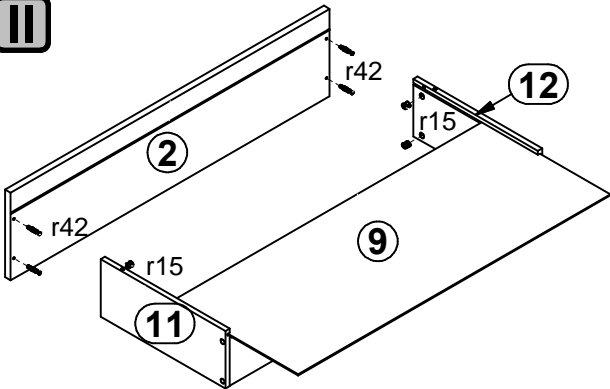
II



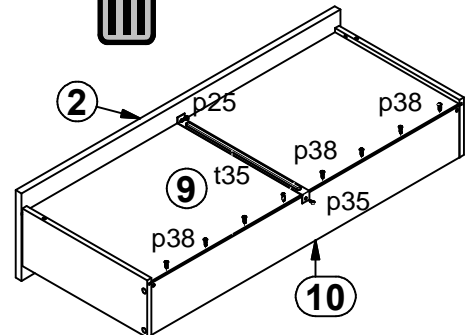
III



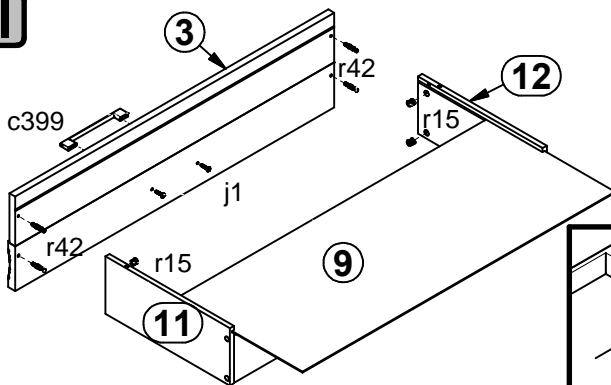
II



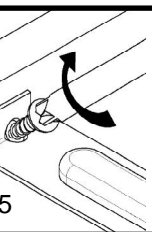
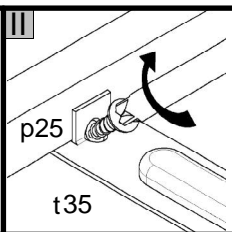
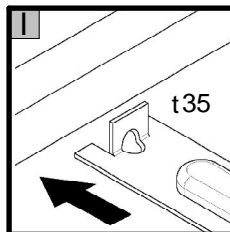
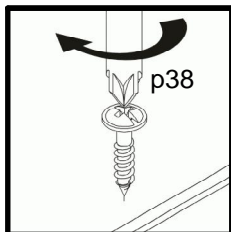
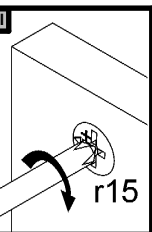
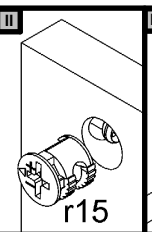
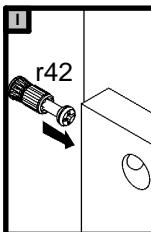
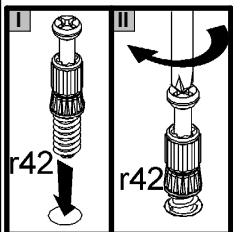
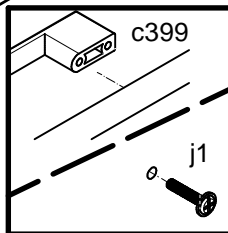
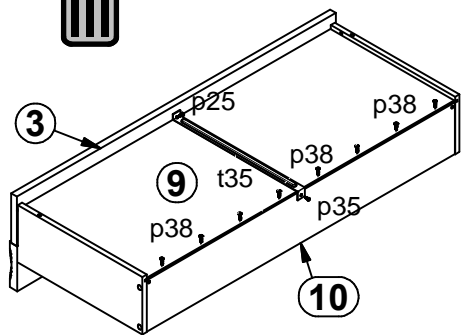
III



II



III



5

