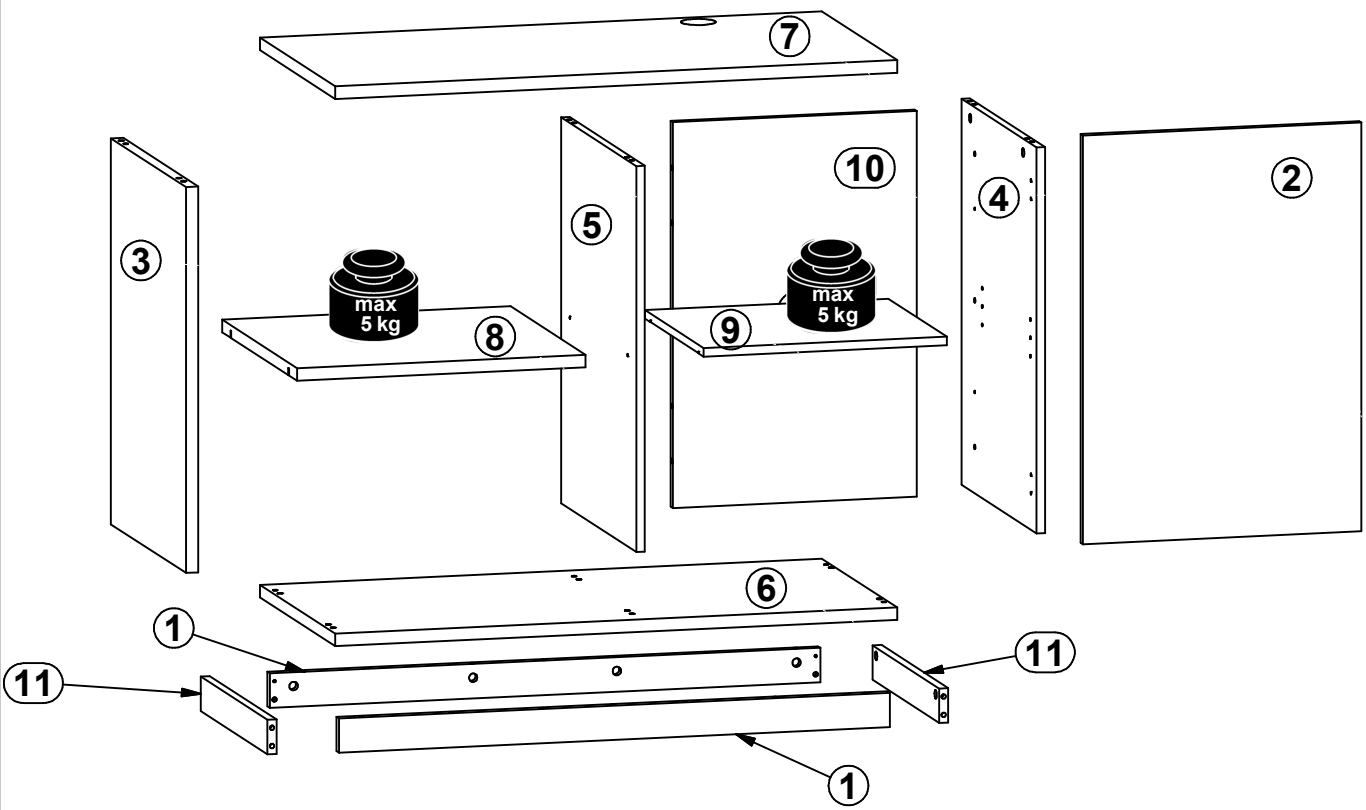
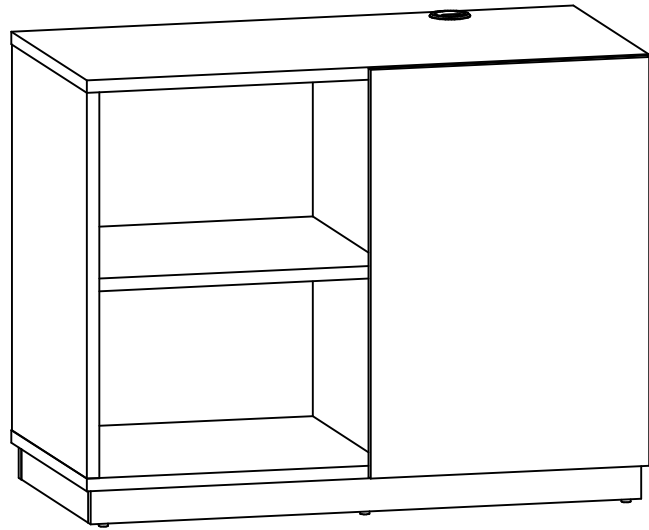
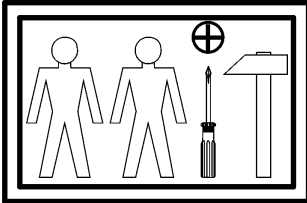
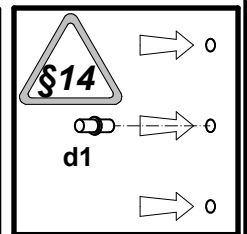
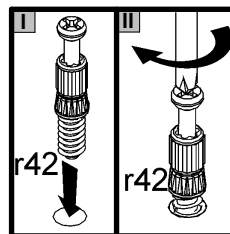
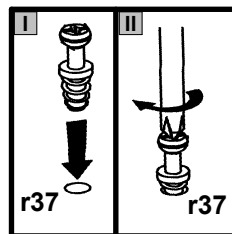
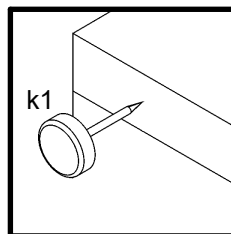
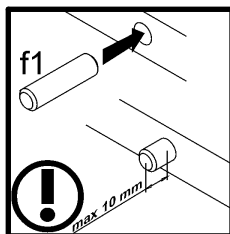
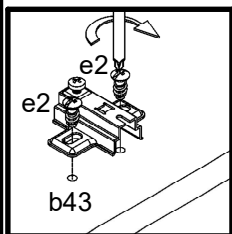
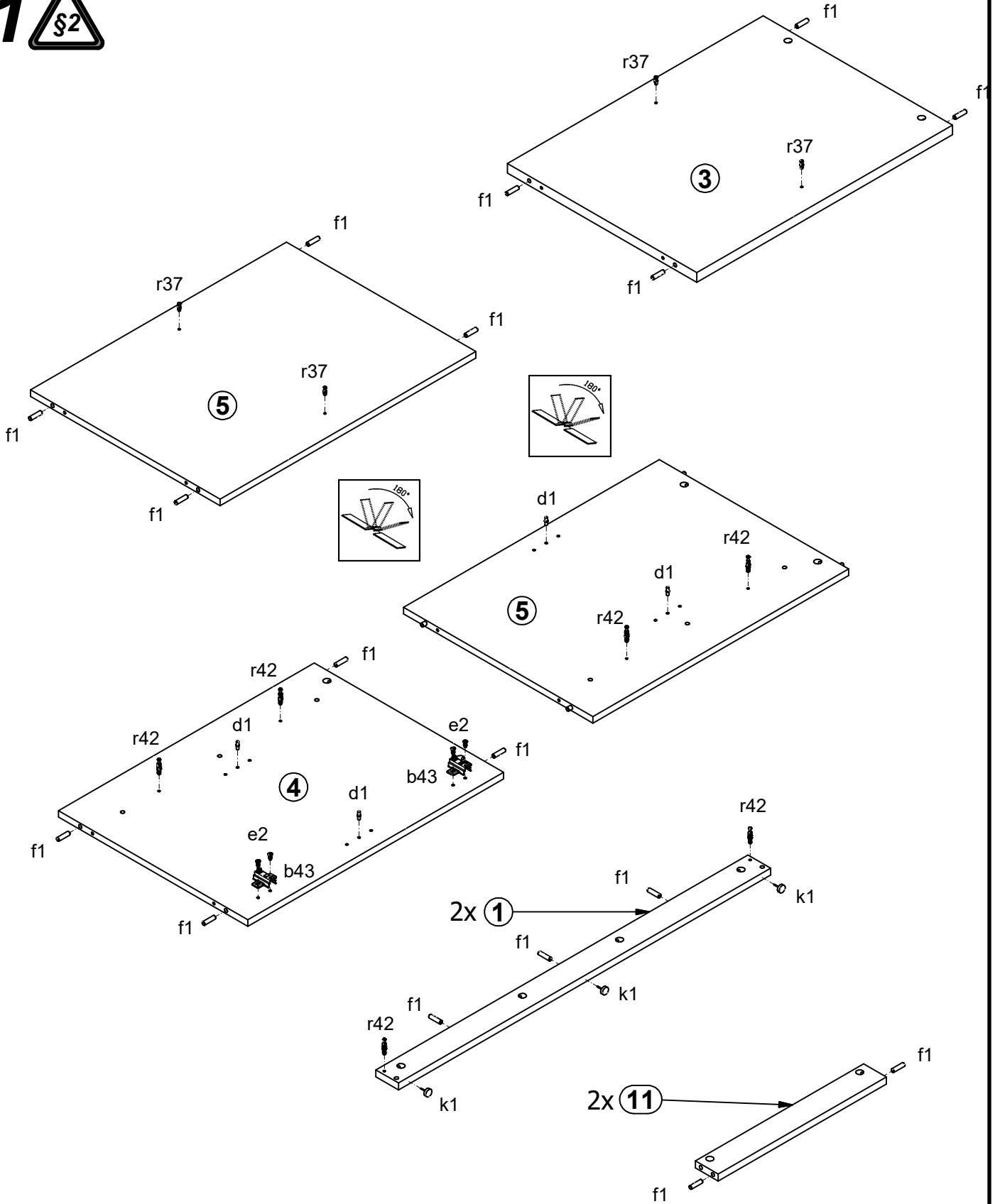


A	B	C	D
1	S406-4012	981	60
2	S416-0006	714	496
3	S416-1010	674	499
4	S416-1011	674	499
5	S416-1012	674	499
6	S416-2005	1001	500
7	S416-2006	1001	500
8	S416-3008	514	498
9	S416-3012	433	390
10	S416-4005	674	434
11	S416-4006	443	60

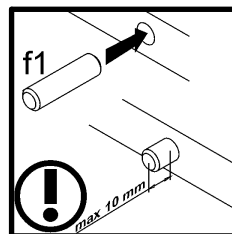
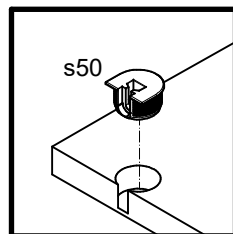
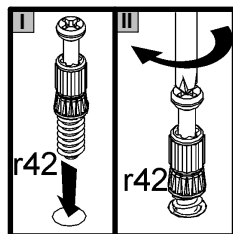
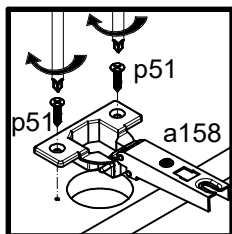
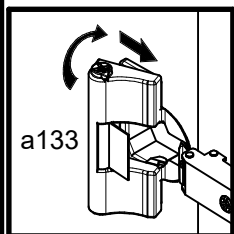
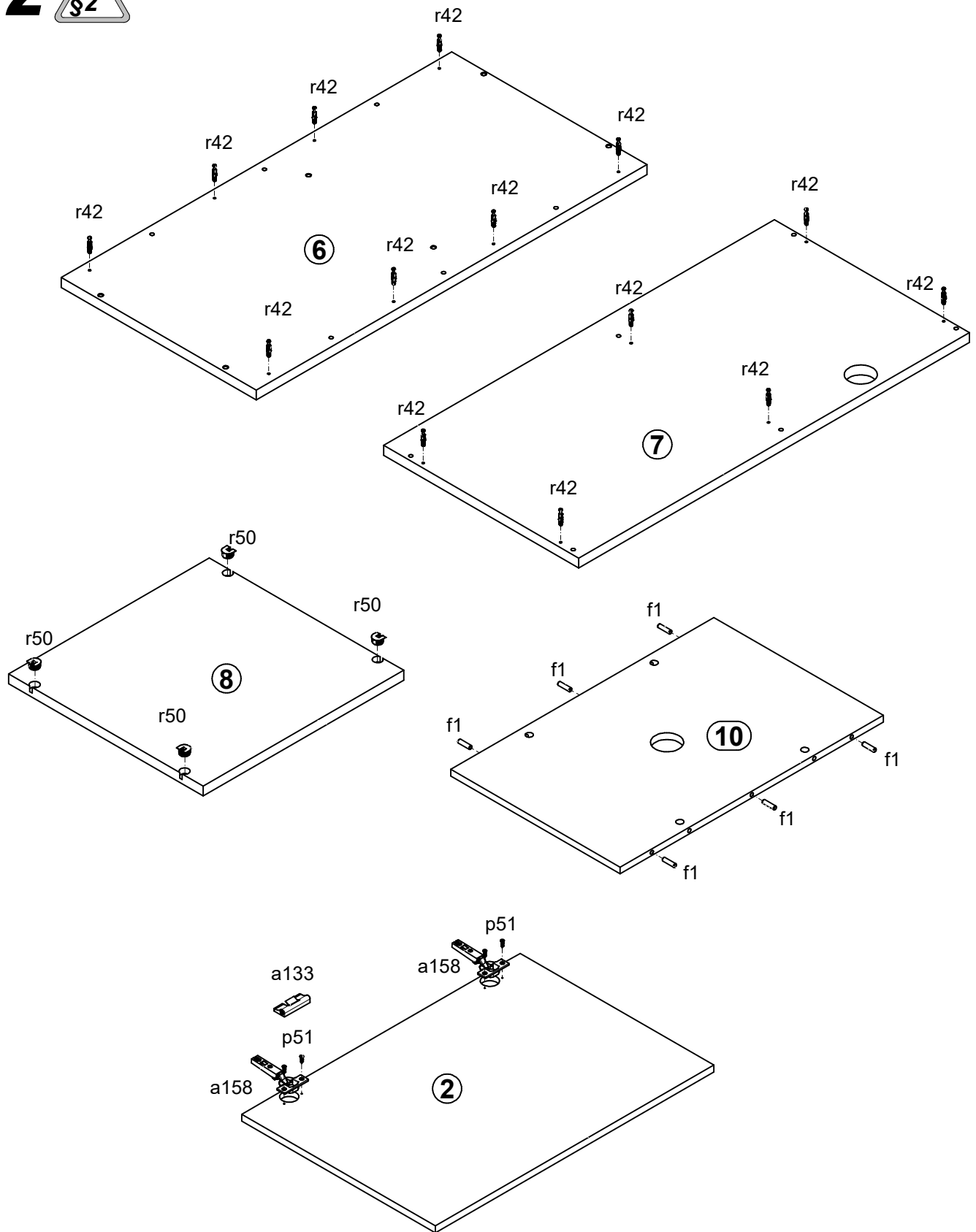


1x  a133	2x  a158	2x  b43	4x  d1 Ø5x17 mm	4x  e2 Ø6.3x13 mm	6x  e8 Ø7x60 mm	28x  f1 Ø8x30 mm	6x  k1	4x  p51 Ø3.5x15 mm
22x  r1 Ø15x12 mm #16	4x  r37 6,7/7,8	22x  r42 20/11	4x  r50	2x  s3 Ø60	10x  s68 Ø 20mm	1x  z1 4 mm	1x  n26	1x  p38 Ø3.5x16 mm

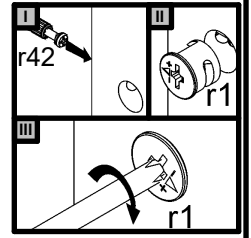
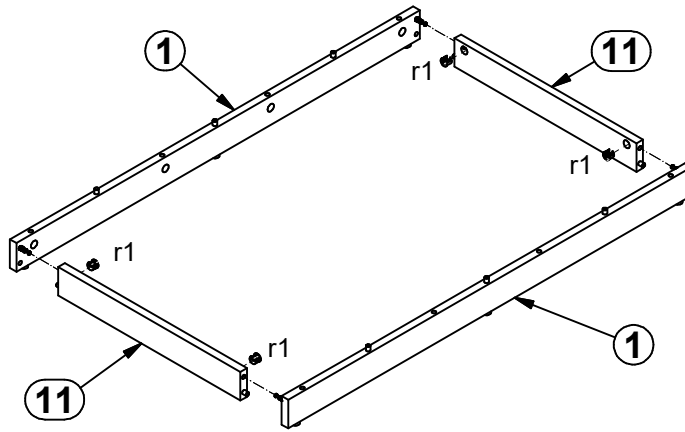
**1** 



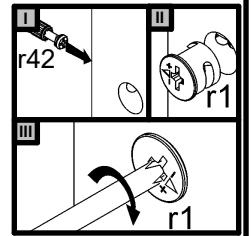
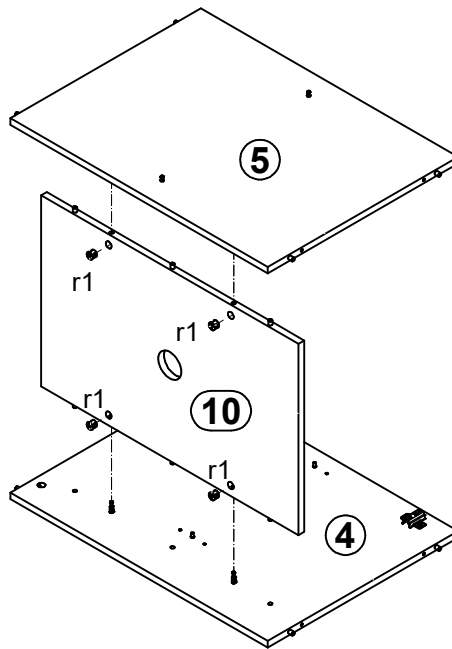
# 2



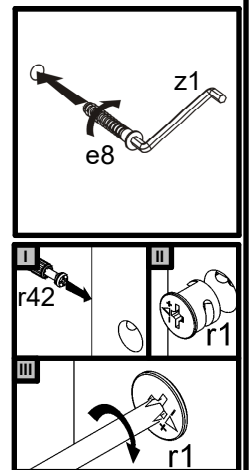
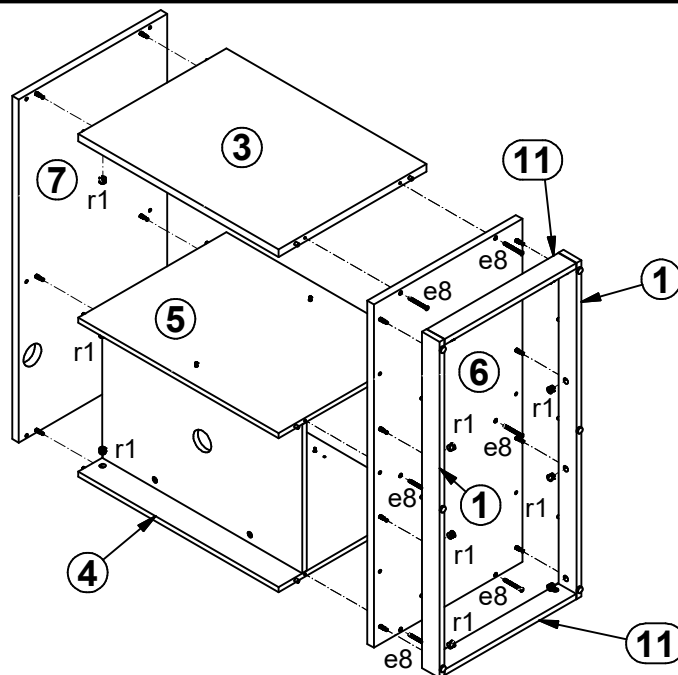
# 3



# 4



# 5



# 6

