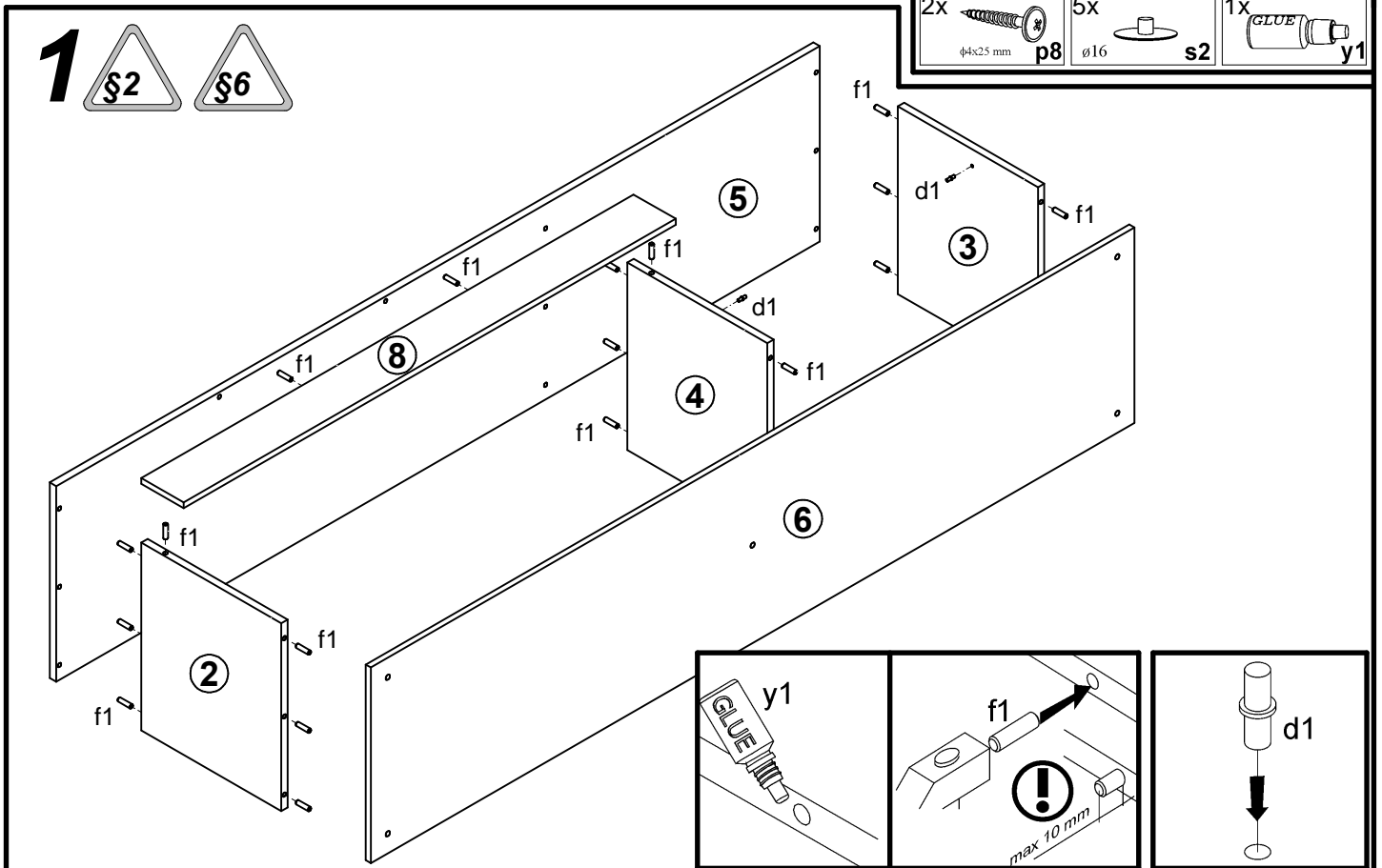
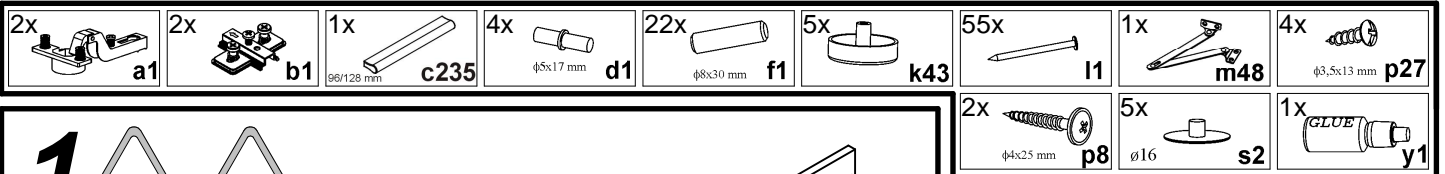
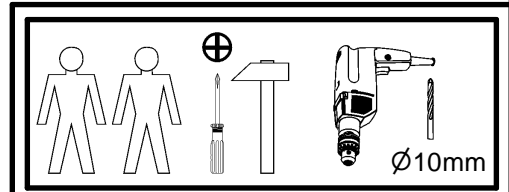
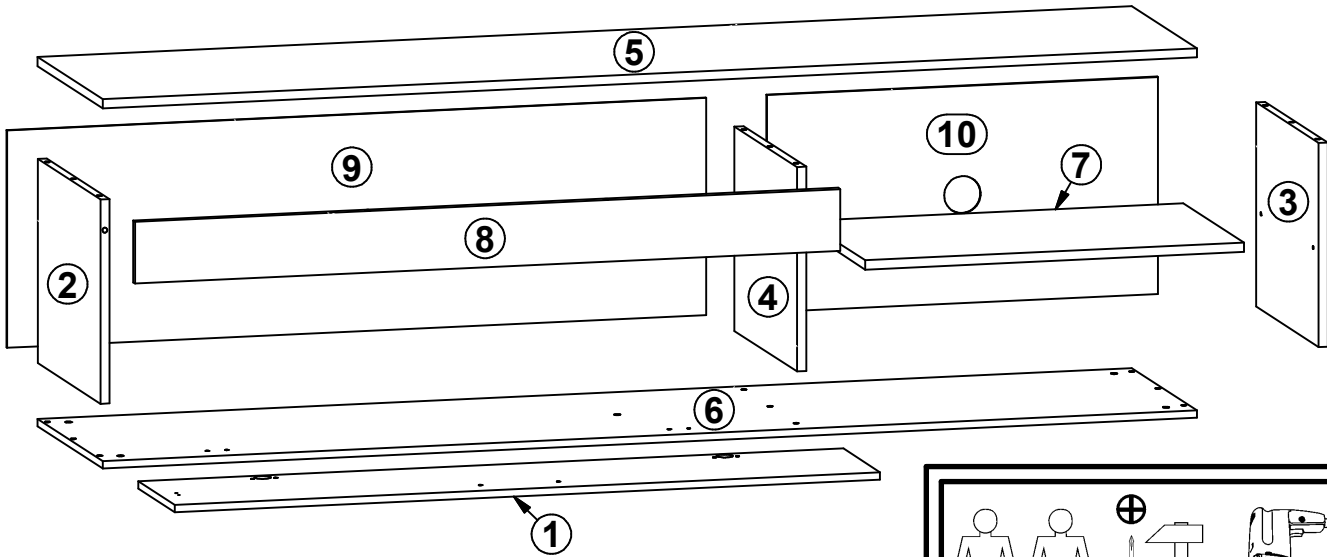


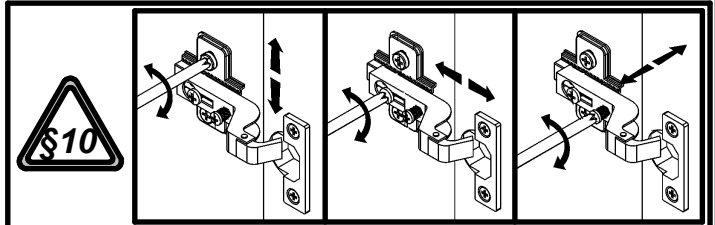
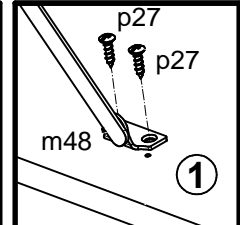
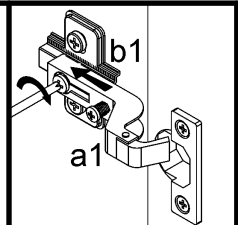
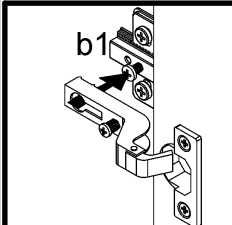
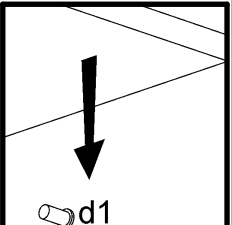
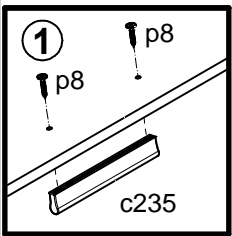
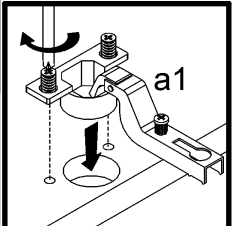
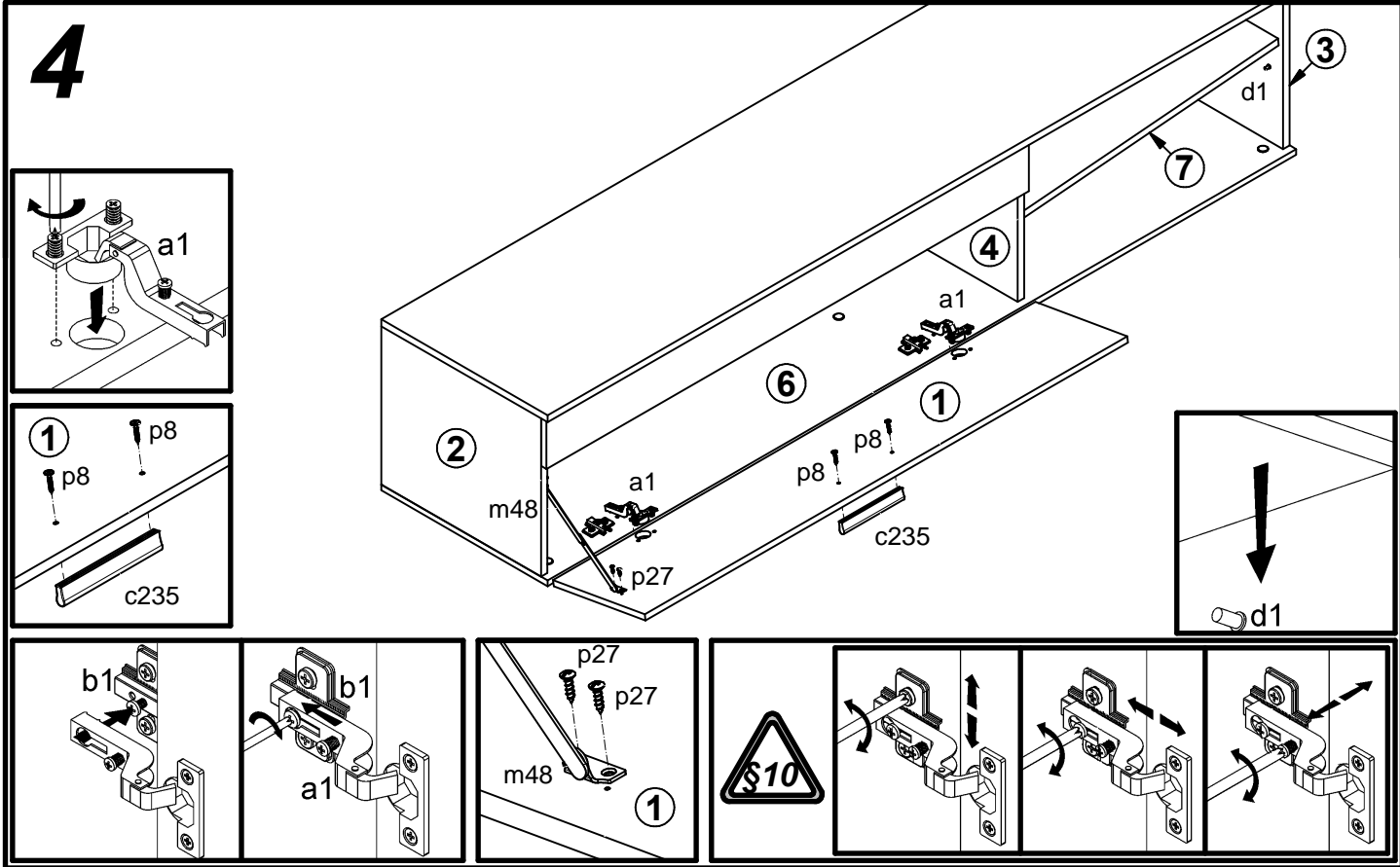
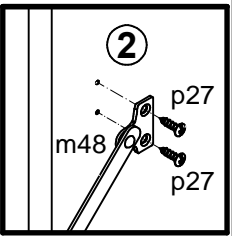
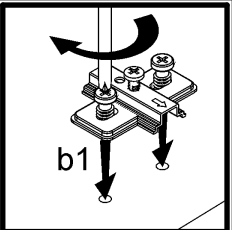
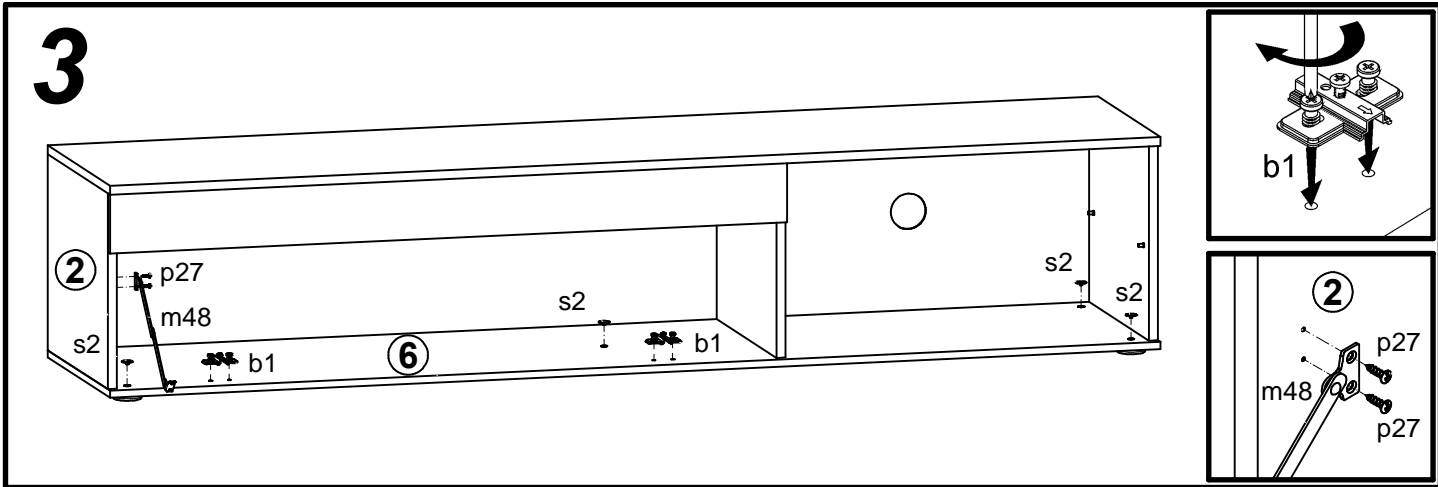
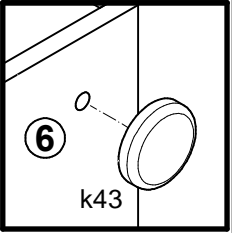
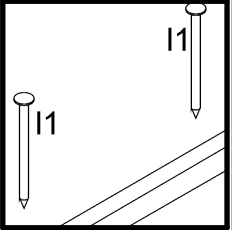
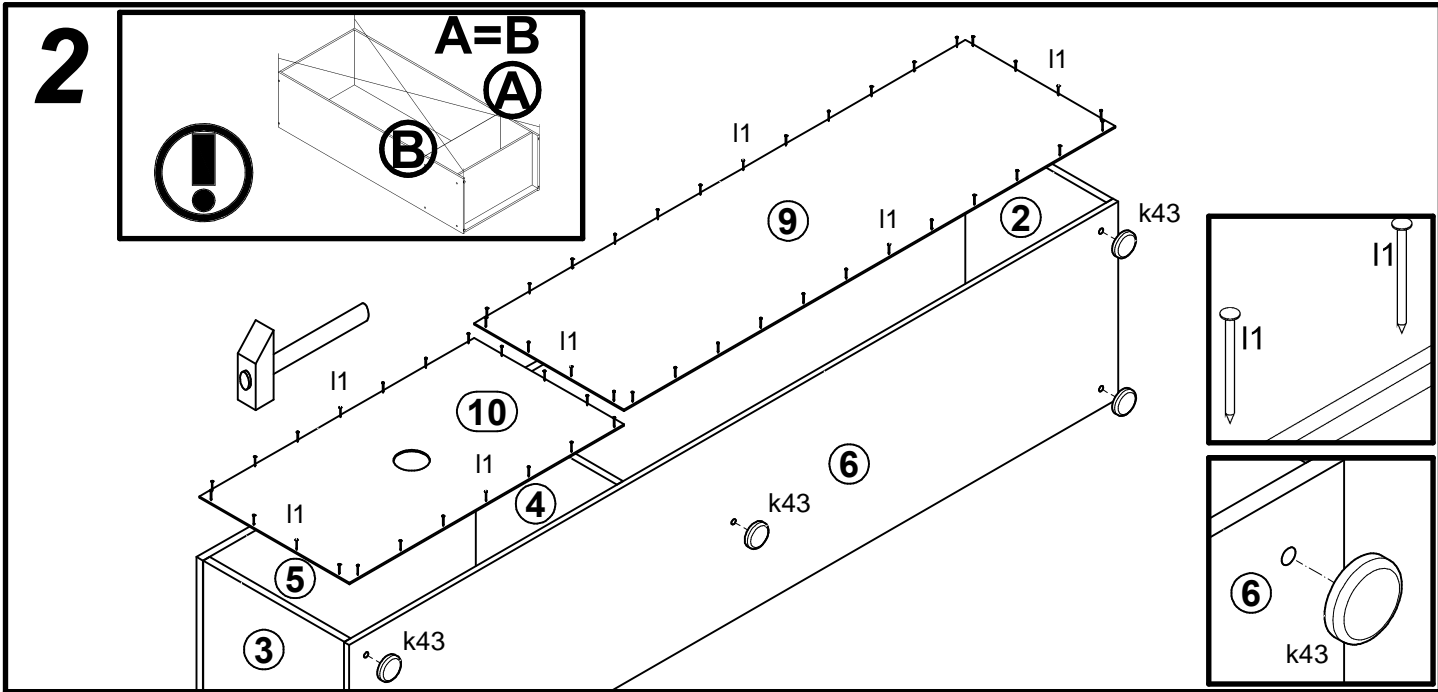
BARATO

M98-RTV1DK/4/18

I

A	B	C	D	A	B	C	D		
1	M98-001	1160	224	2/2	6	M98-202	1800	400	1/2
2	M98-101	330	384	1/2	7	M98-301	623	374	1/2
3	M98-102	330	384	1/2	8	M98-401	1160	100	2/2
4	M98-103	330	384	1/2	9	M98-901	1150	351	1/2
5	M98-201	1800	400	1/2	10	M98-902	643	351	1/2

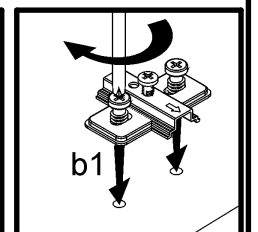
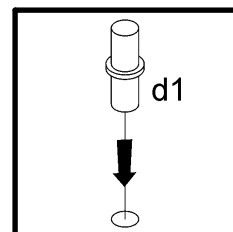
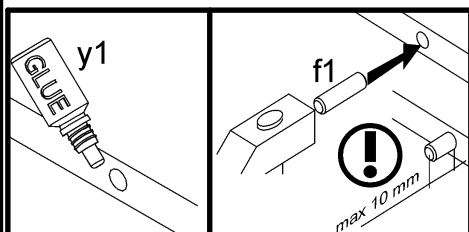
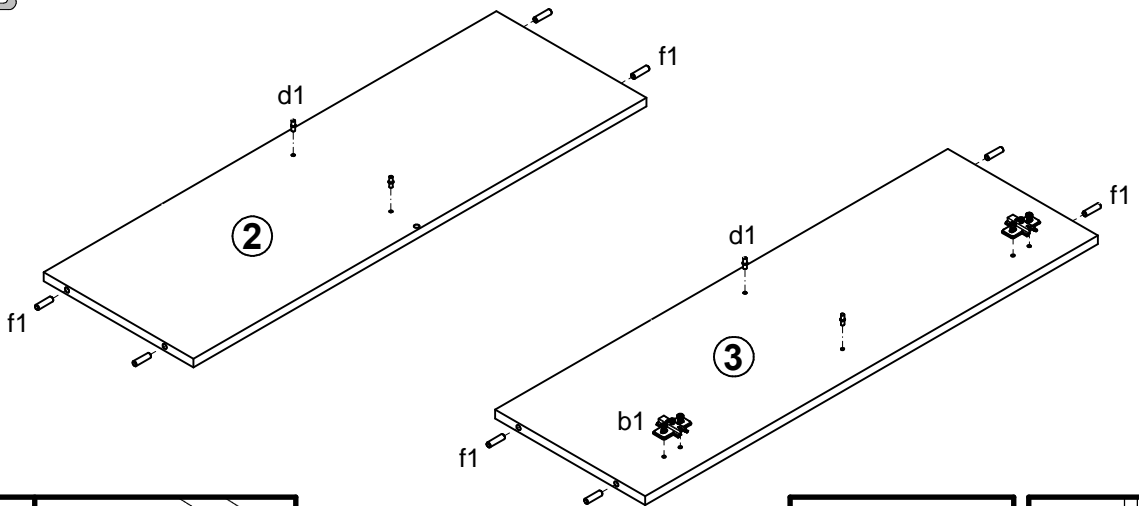
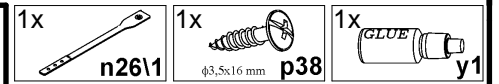
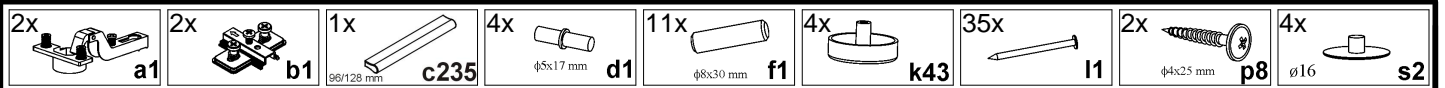
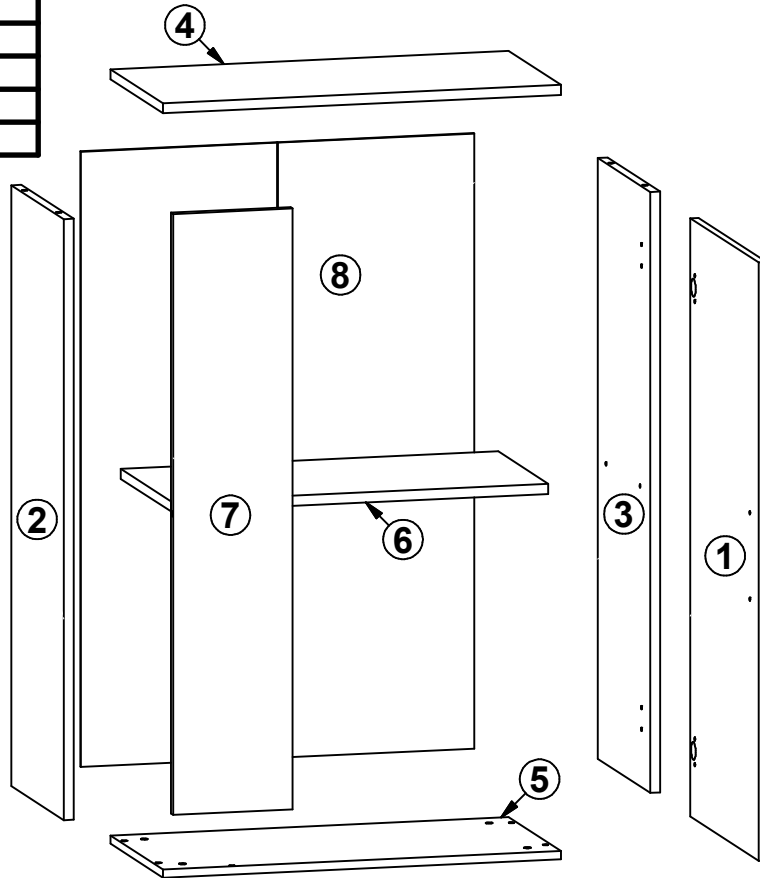
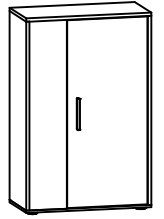




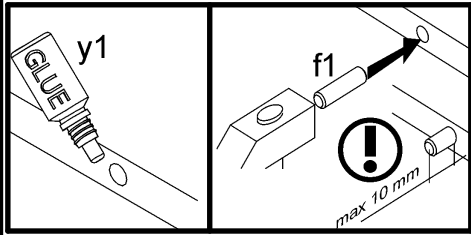
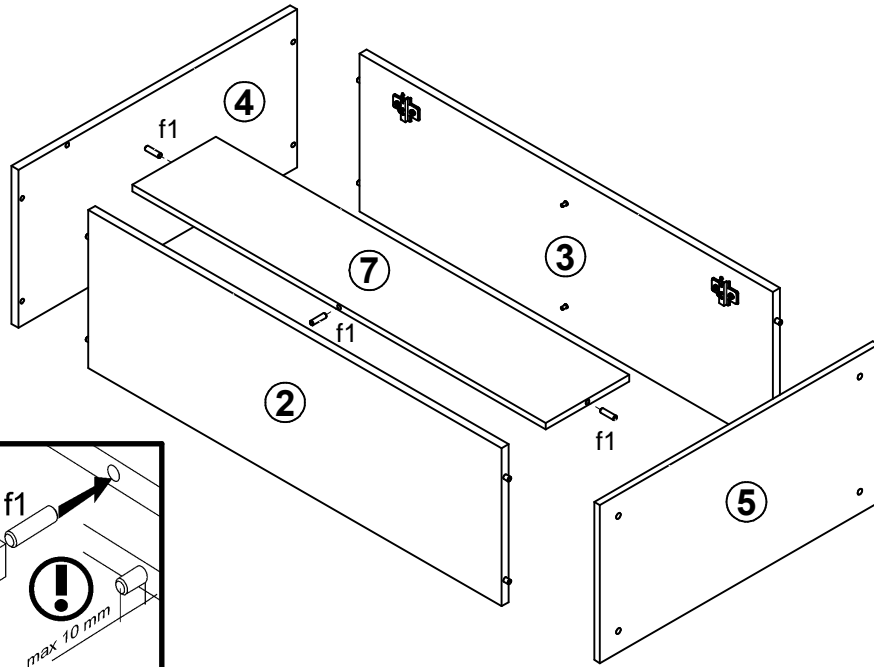


M98-REG1D/9/6

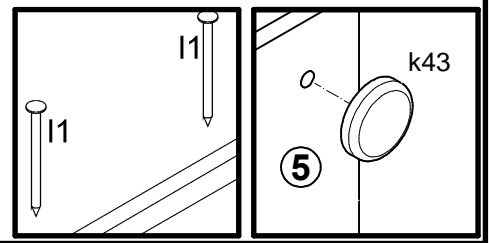
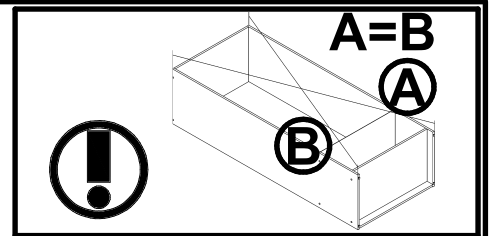
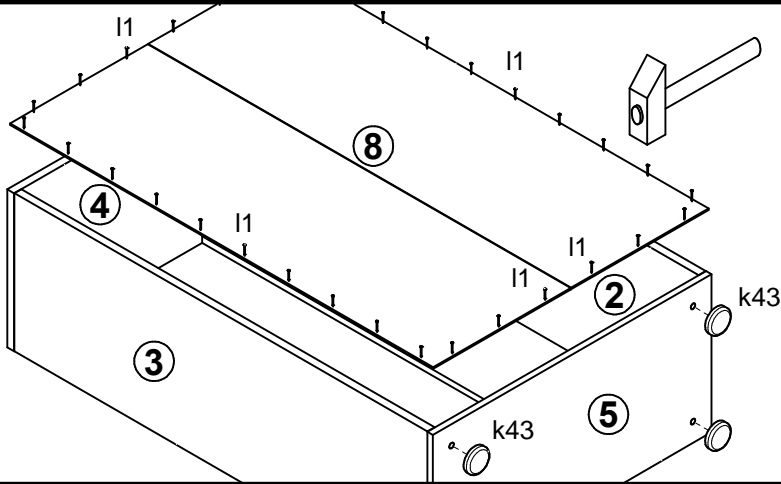
A	B	C	D	
1	M98-002	886	385	1/2
2	M98-104	890	295	2/2
3	M98-105	890	295	2/2
4	M98-203	600	295	2/2
5	M98-204	600	295	2/2
6	M98-302	569	282	2/2
7	M98-402	890	180	2/2
8	M98-9901	911	593	2/2



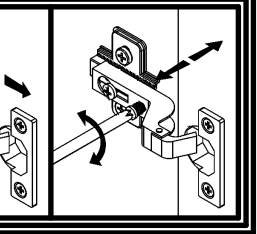
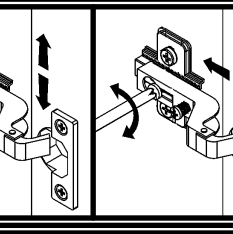
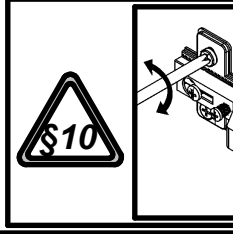
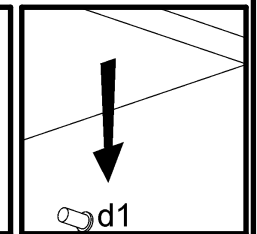
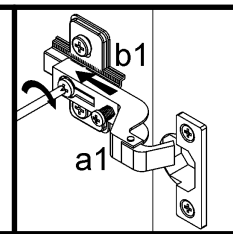
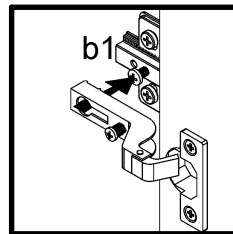
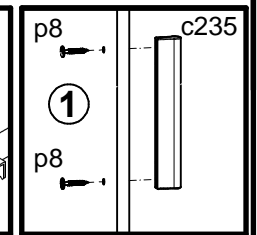
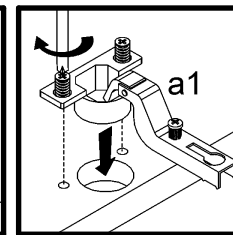
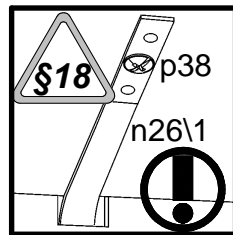
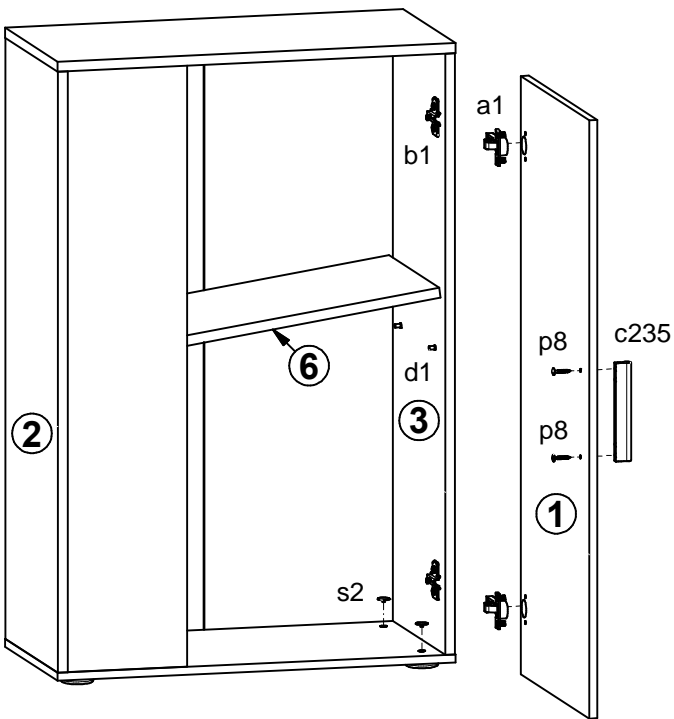
6



7



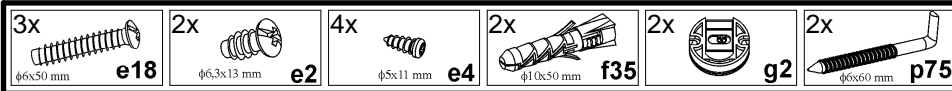
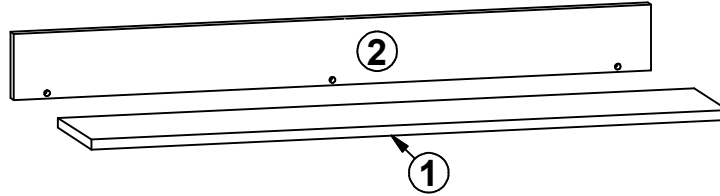
8



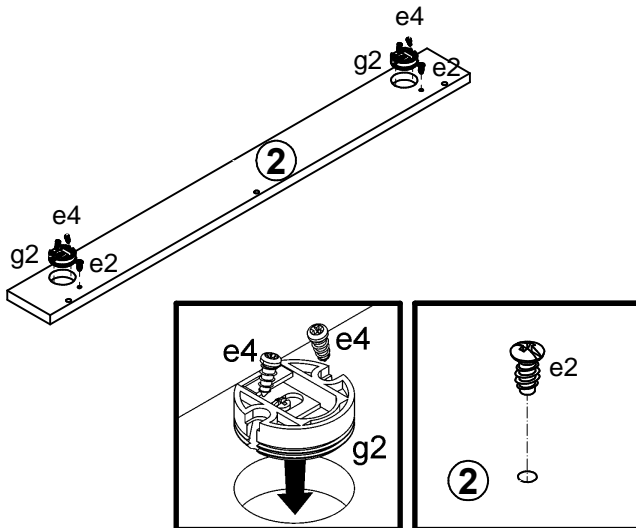


M98-P/1/8

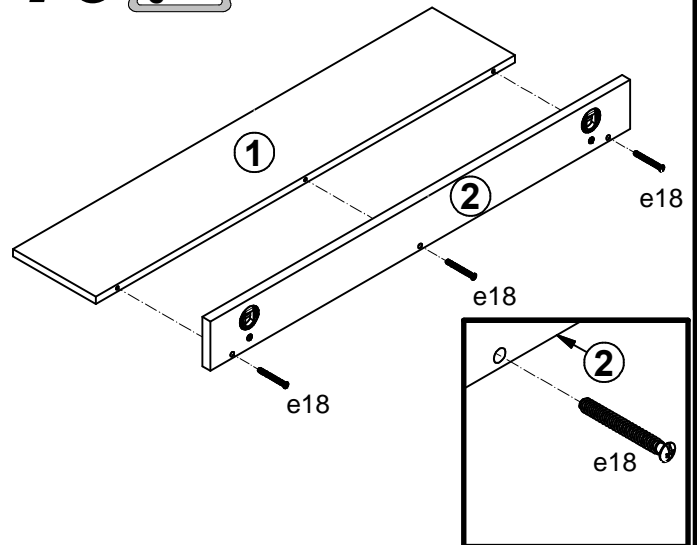
A	B	C	D
1	M98-305	785	155
2	M98-406	786	80



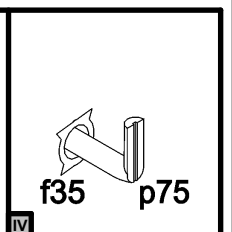
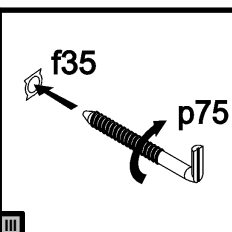
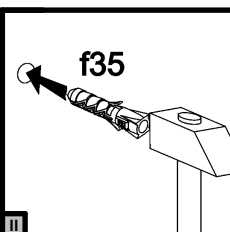
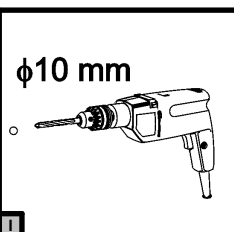
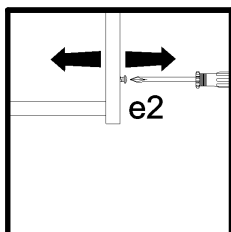
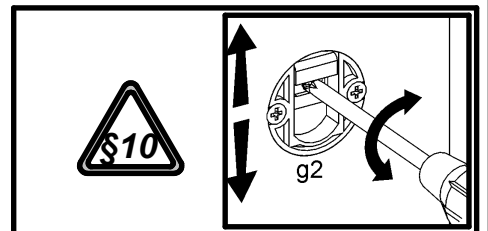
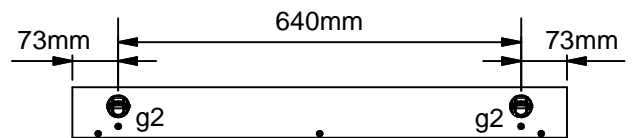
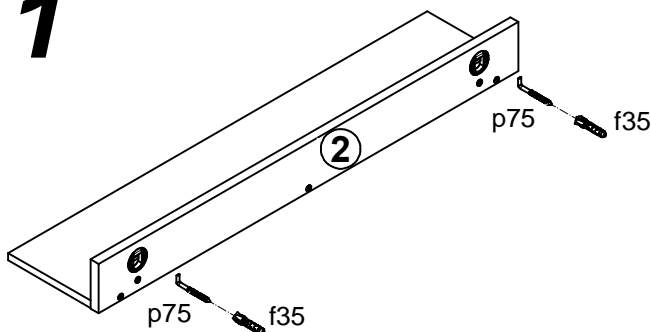
9 §2



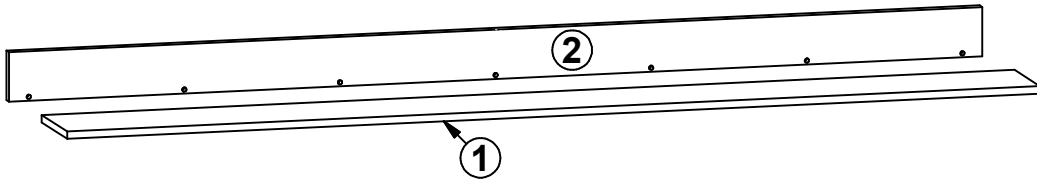
10 §6



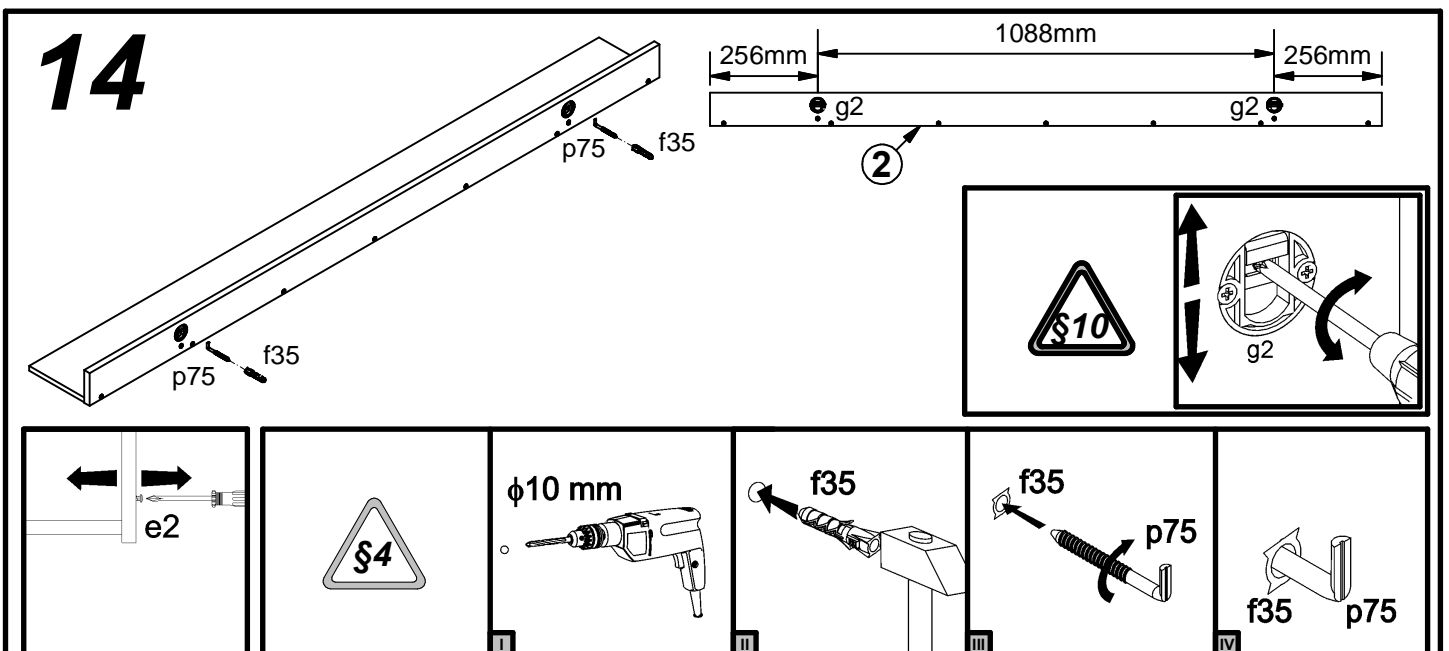
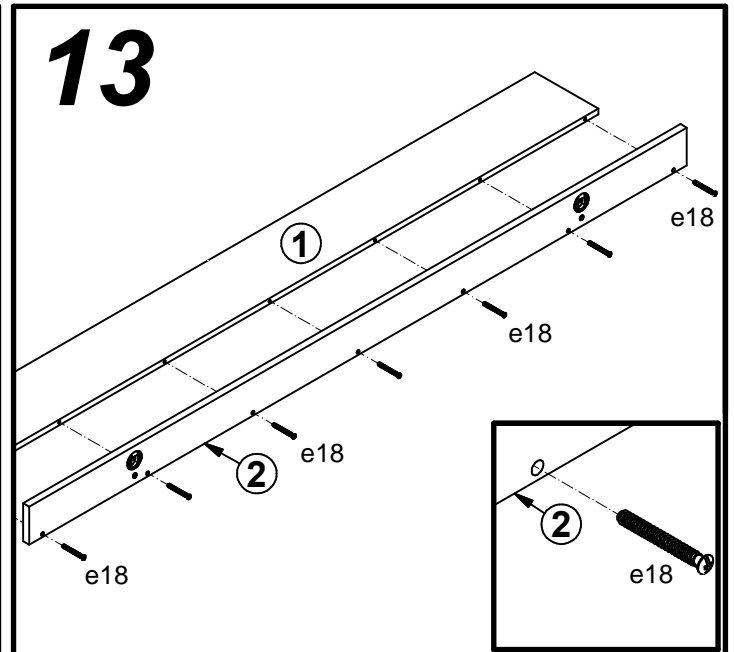
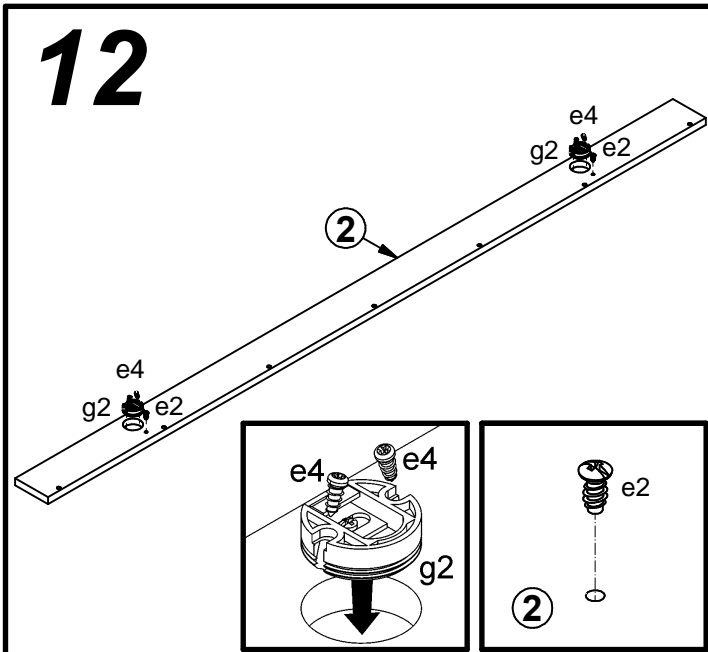
11



A	B	C	D
1	M98-304	1600	155
2	M98-405	1601	80



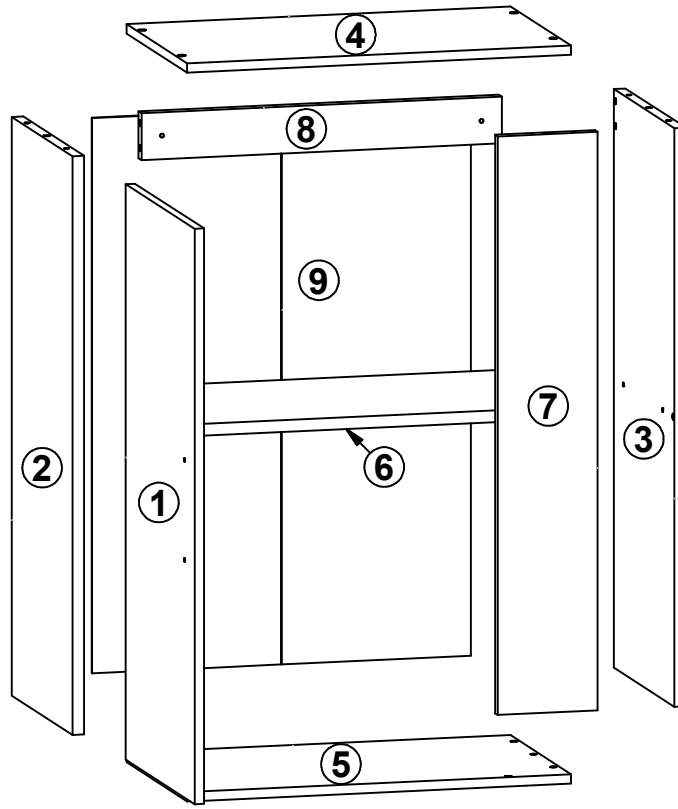
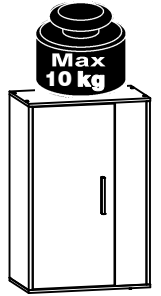
- 7x $\phi 6 \times 50$ mm **e18**
- 2x $\phi 6.3 \times 13$ mm **e2**
- 4x $\phi 5 \times 11$ mm **e4**
- 2x $\phi 10 \times 50$ mm **f35**
- 2x **g2**
- 2x $\phi 6 \times 60$ mm **p75**





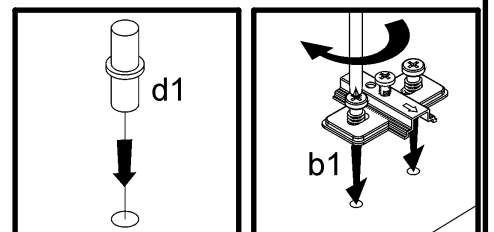
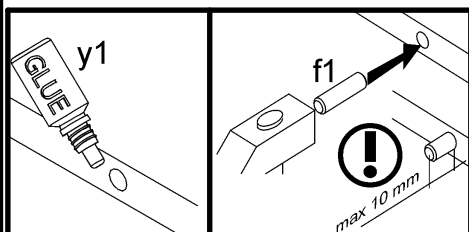
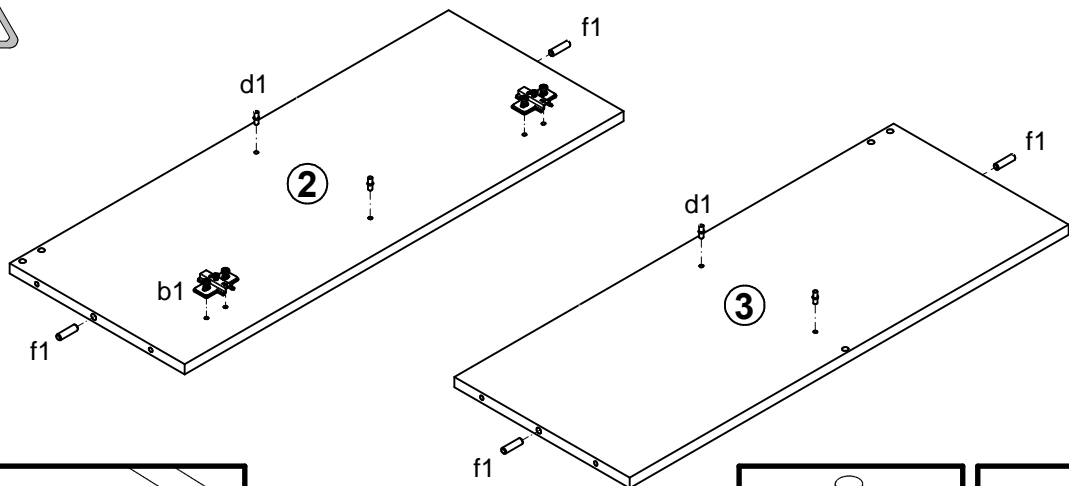
M98-SFW1D/8/5

A	B	C	D
1	M98-003	736	335
2	M98-106	740	295
3	M98-107	740	295
4	M98-205	500	295
5	M98-206	500	295
6	M98-303	469	282
7	M98-403	740	130
8	M98-404	469	60
9	M98-9902	710	493

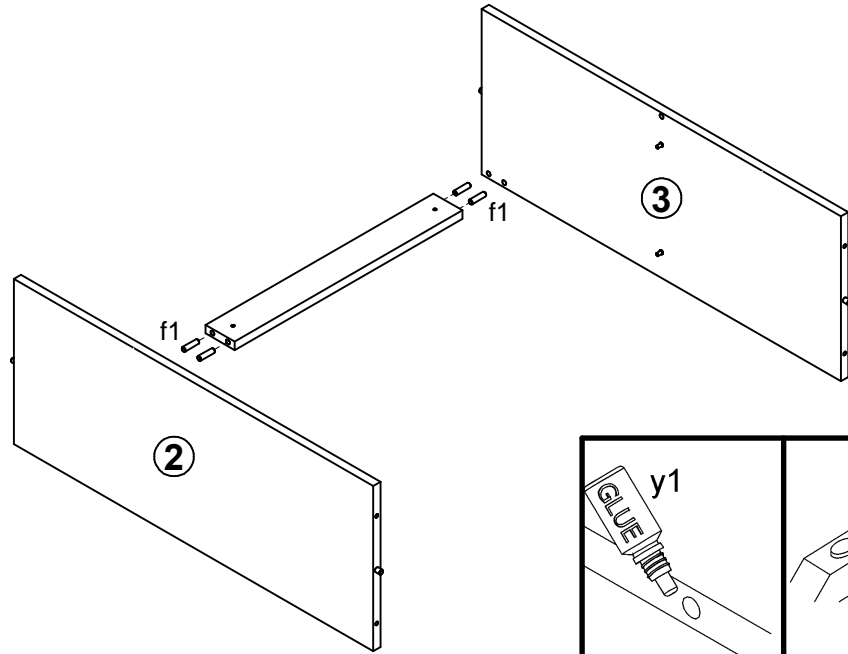


2x a1	2x b1	1x 98/128 mm c235	4x φ5x17 mm d1	8x φ7x50 mm e1	11x φ8x30 mm f1	2x φ10x50 mm f35	25x l1	2x φ5x60 mm p17
4x φ3.5x16 mm p38	2x φ4x25 mm p8	8x s1	1x z1	1x y1				

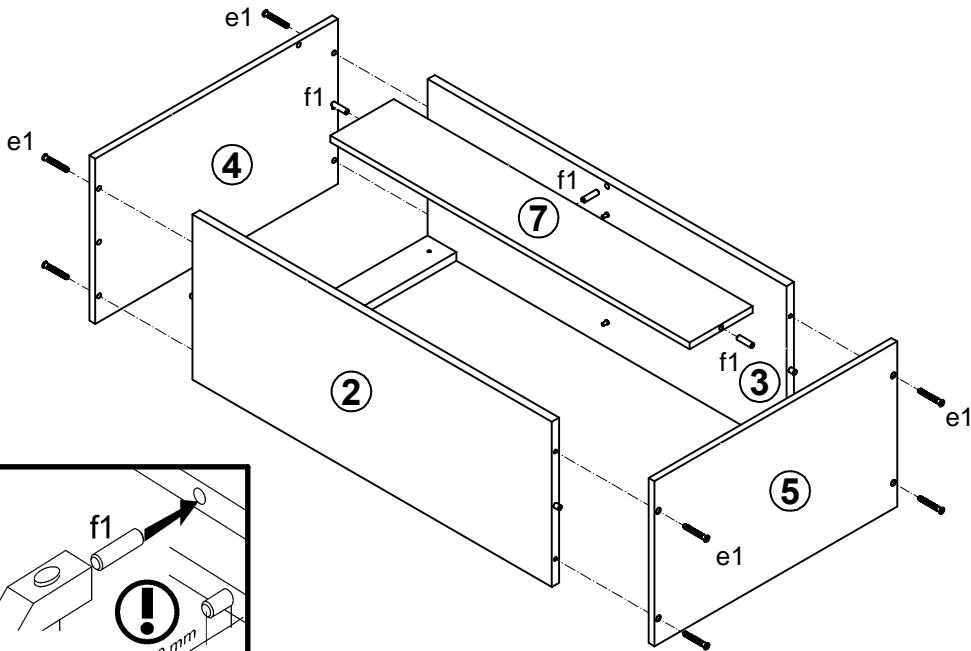
15



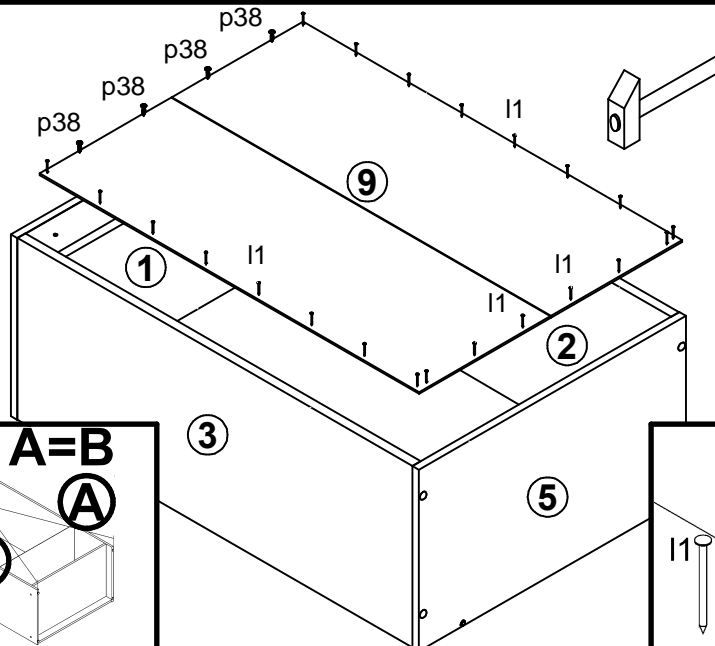
16



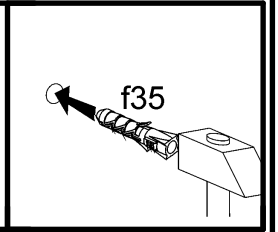
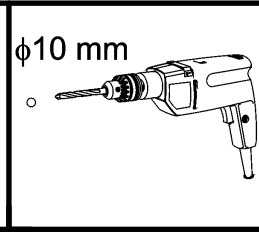
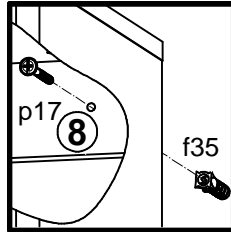
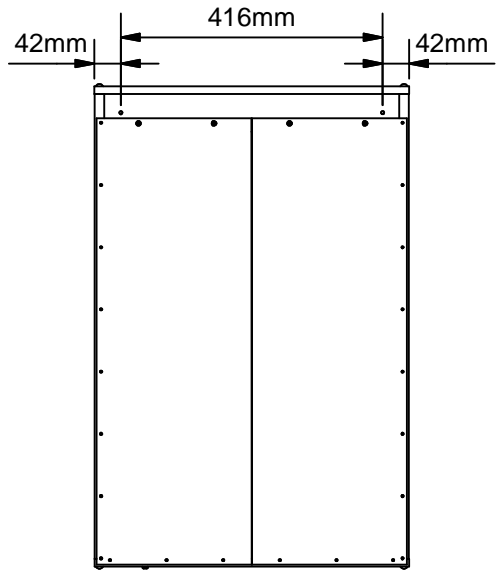
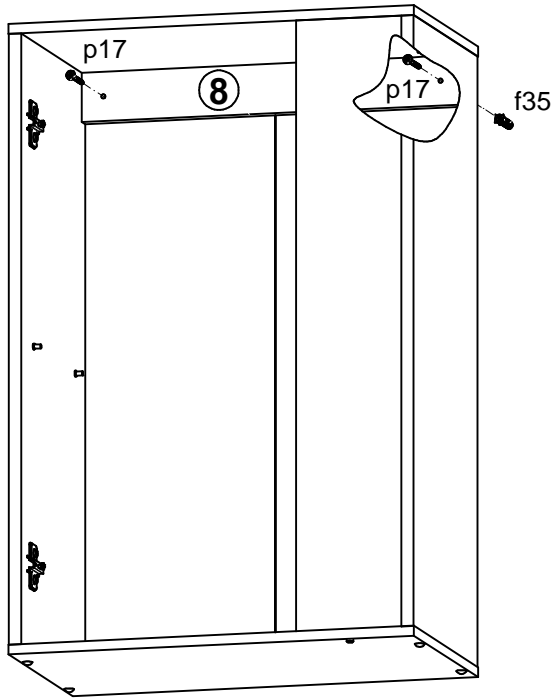
17



18



19



20

