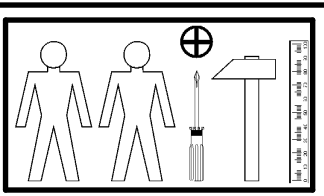
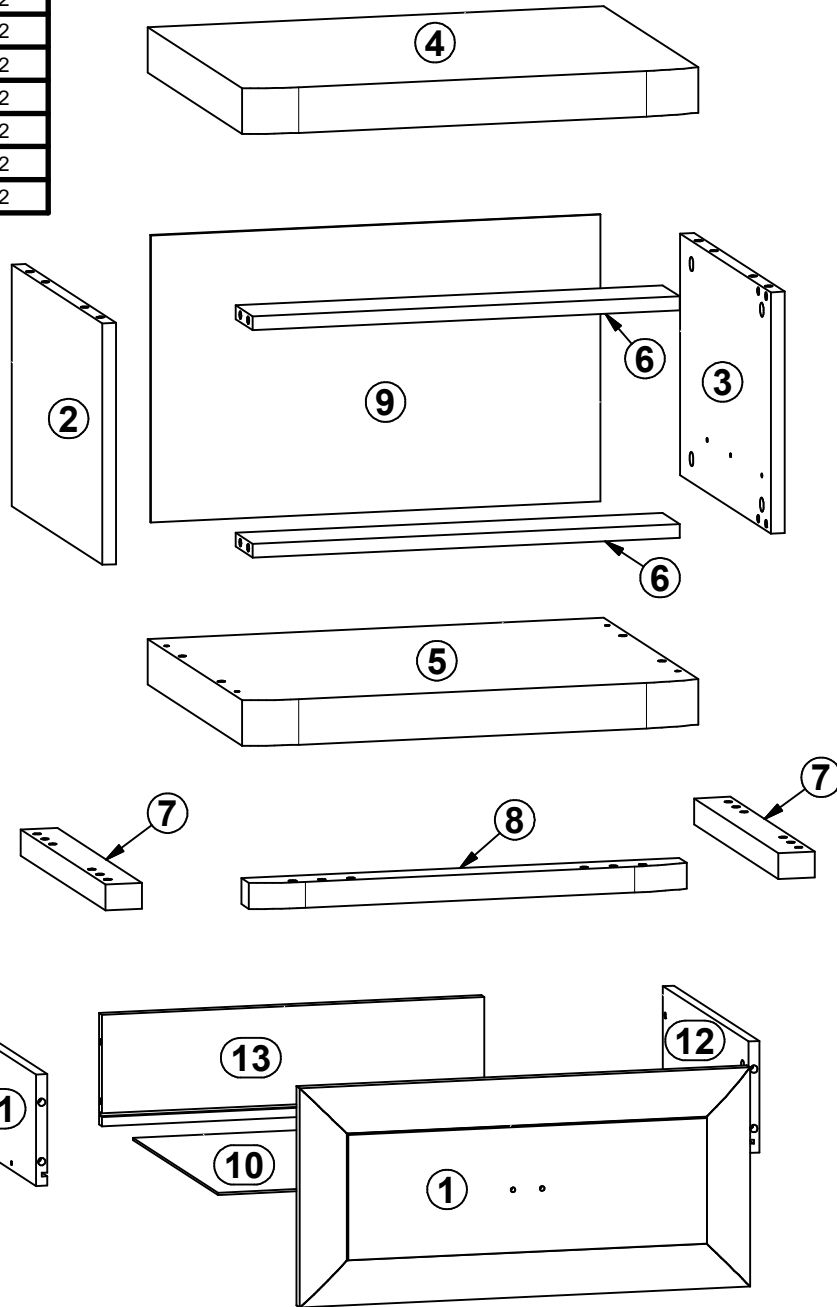
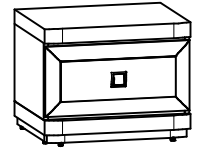


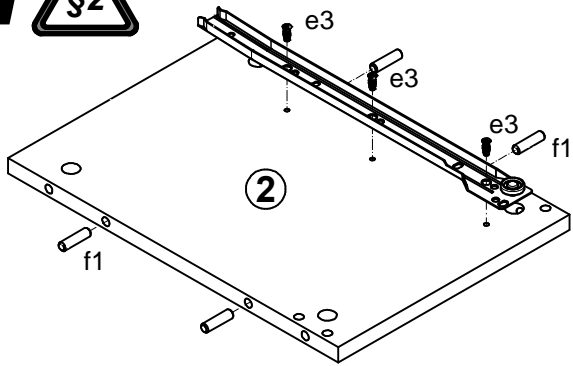
A	B	C	D
1	S157-015	494	236
2	S157-126	260	371
3	S157-127	260	371
4	S157-214	500	396
5	S157-215	500	396
6	S157-410	468	70
7	S157-502	346	40
8	S157-510	480	40
9	S157-916	309	493
10	S157-917	430	348
11	ZS2-511	350	120
12	ZS2-512	350	120
13	ZS2-5518	419	120



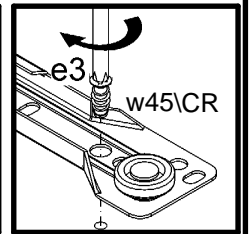
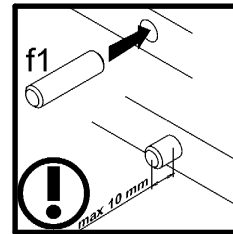
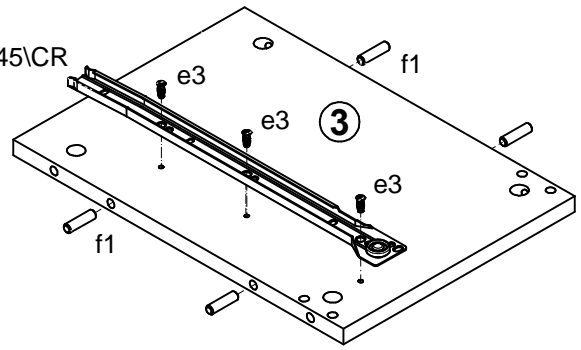
1x c333	6x Ø7x50 mm e1	4x Ø5x9 mm e19	6x Ø6x13 mm e3	22x Ø8x30 mm f1	4x Ø6.5x40 mm f25	2x M4x18 mm j59	4x M6/Ø14x14 mm k39/2	4x M6/22 mm k39/3
15x l1	8x Ø15x12 mm #16 r1	4x Ø12x10.5 mm #12 r15	12x r42	1x 350 mm w45/CL	1x 350 mm w45/CR	1x 350 mm w45/DL	1x 350 mm w45/DR	2x Ø16 s2
1x z1								

1 

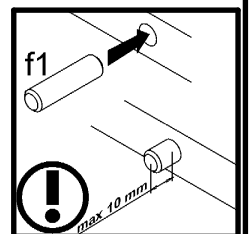
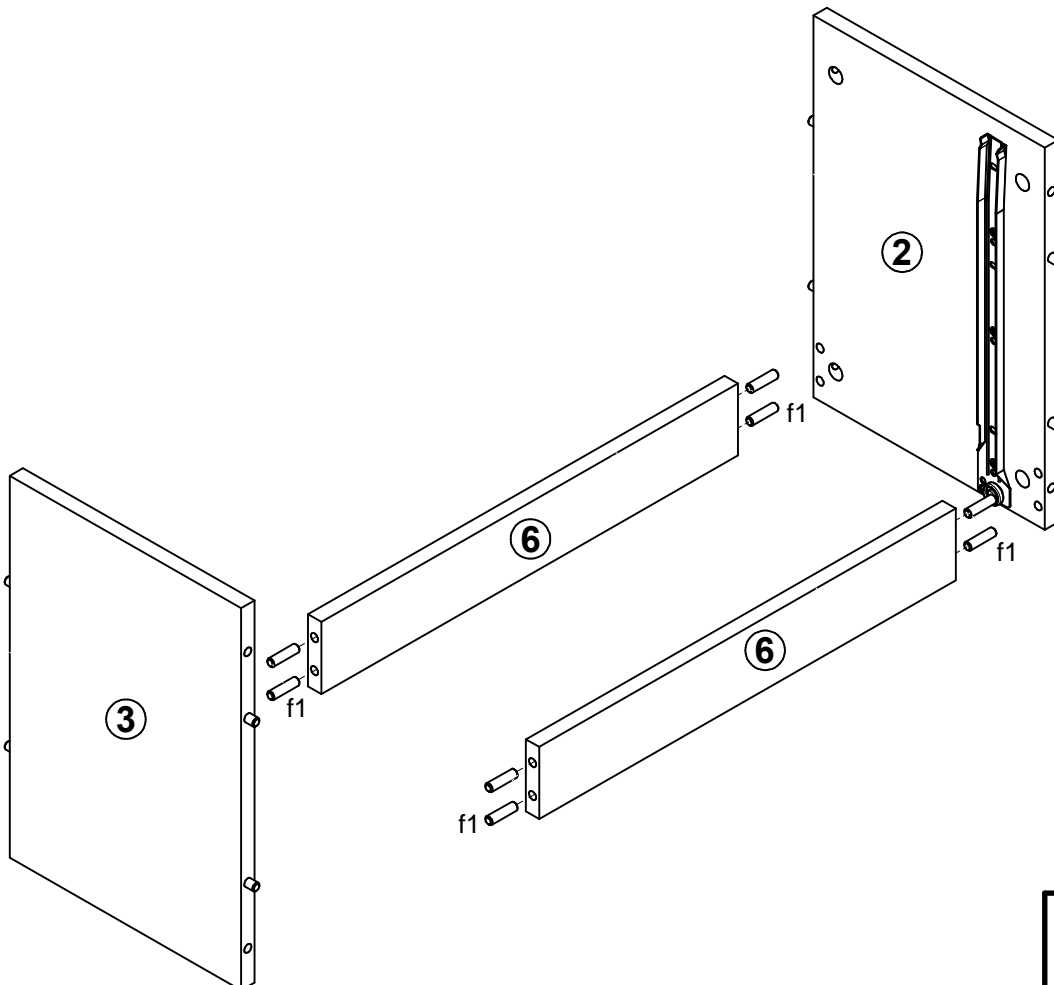
w45\CL



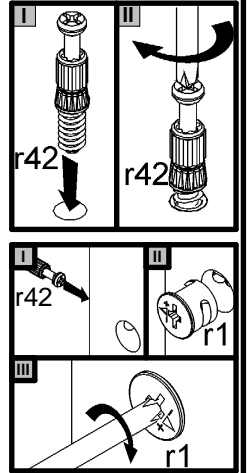
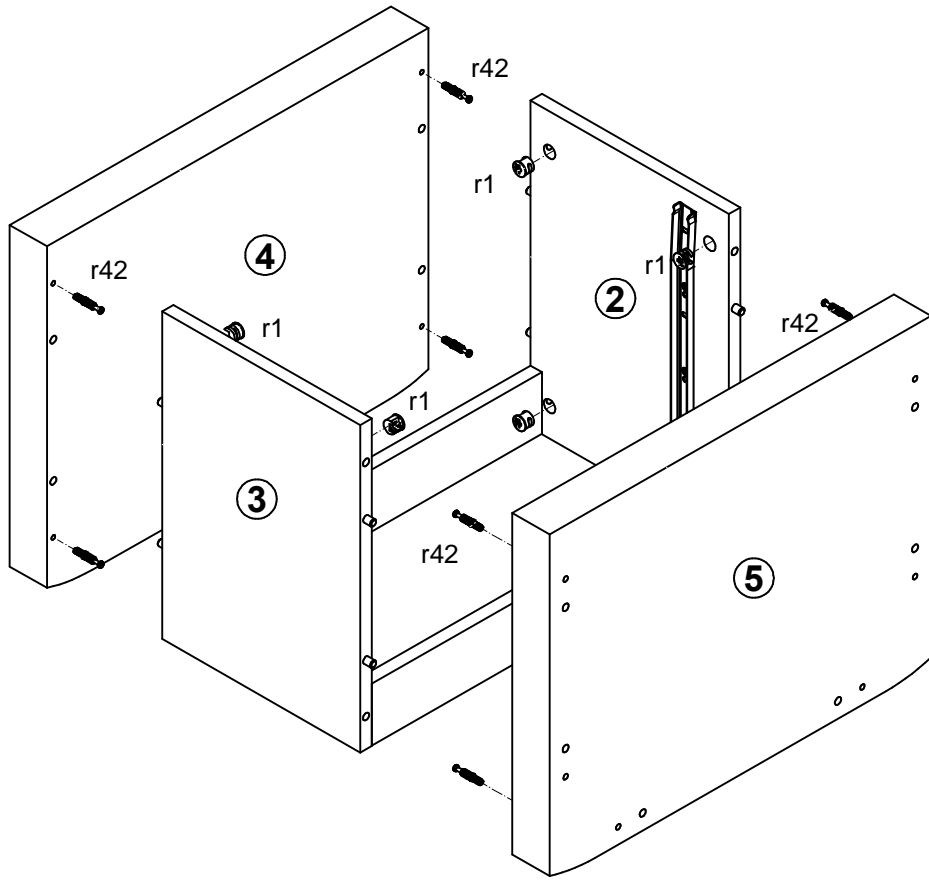
w45\CR



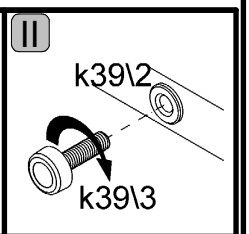
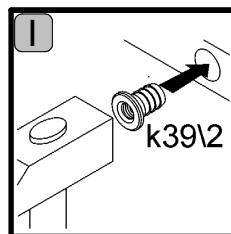
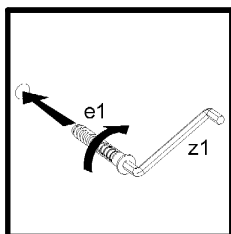
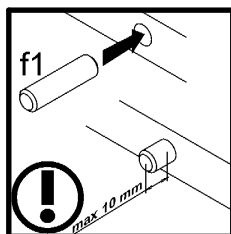
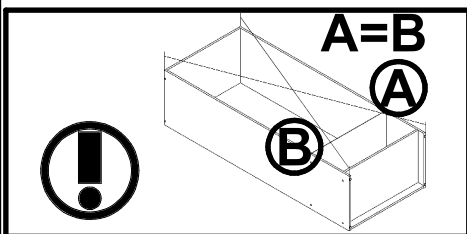
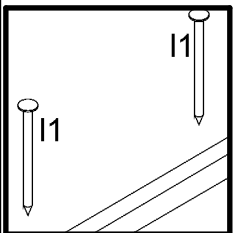
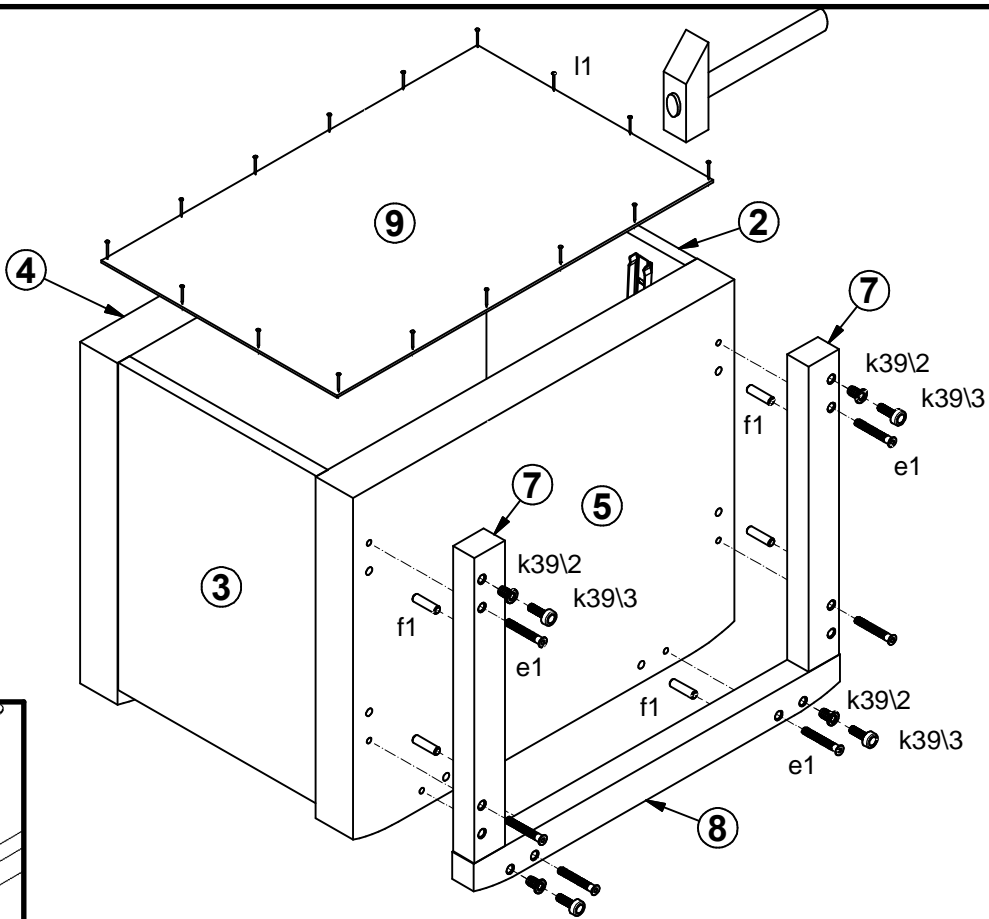
2 



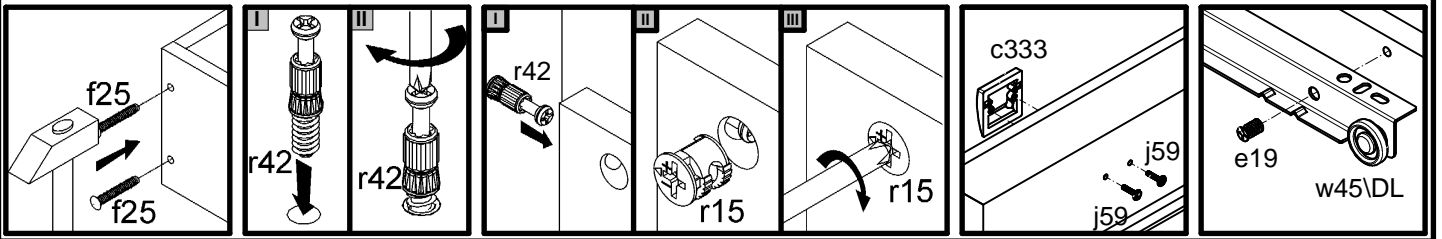
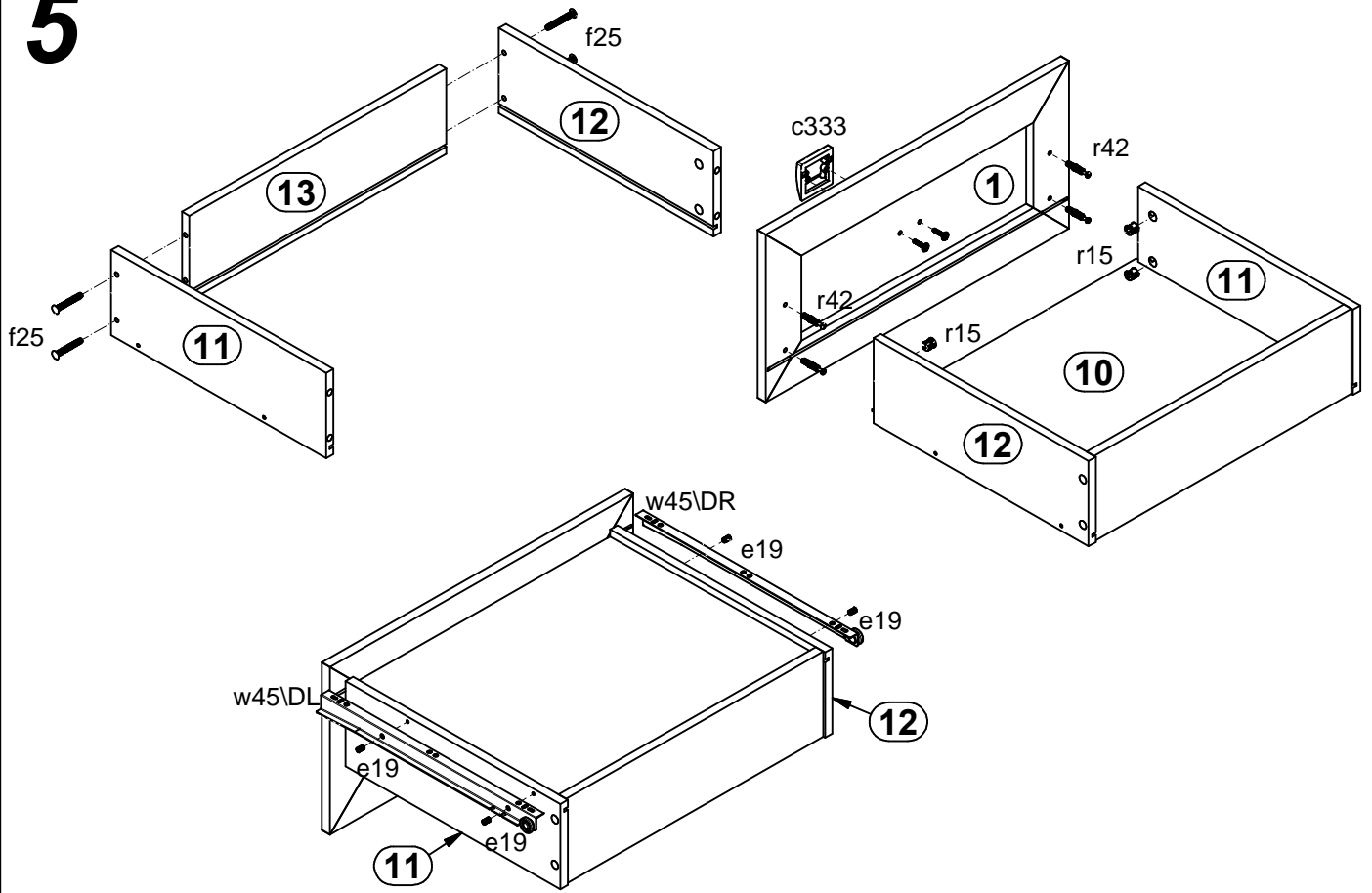
3



4



5



6

