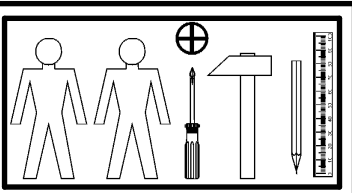
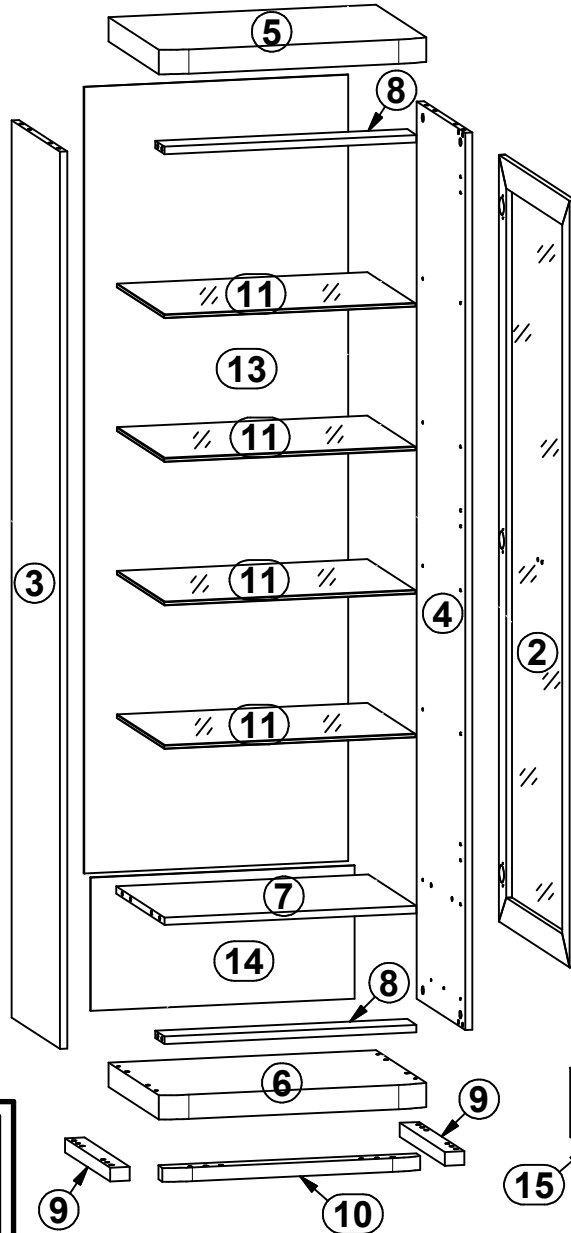
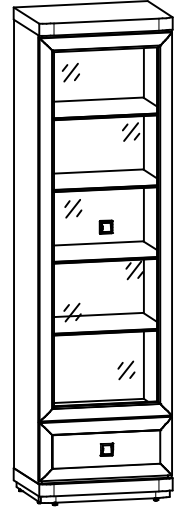
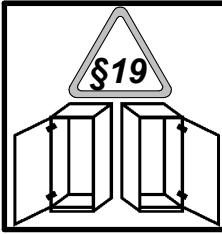


OREGON

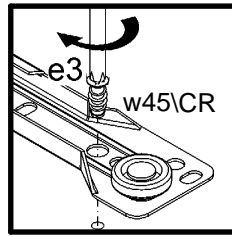
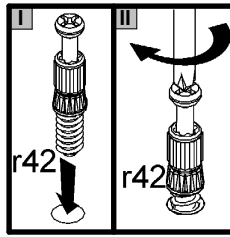
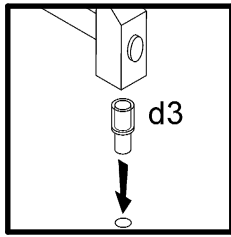
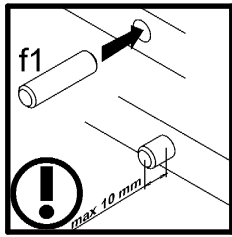
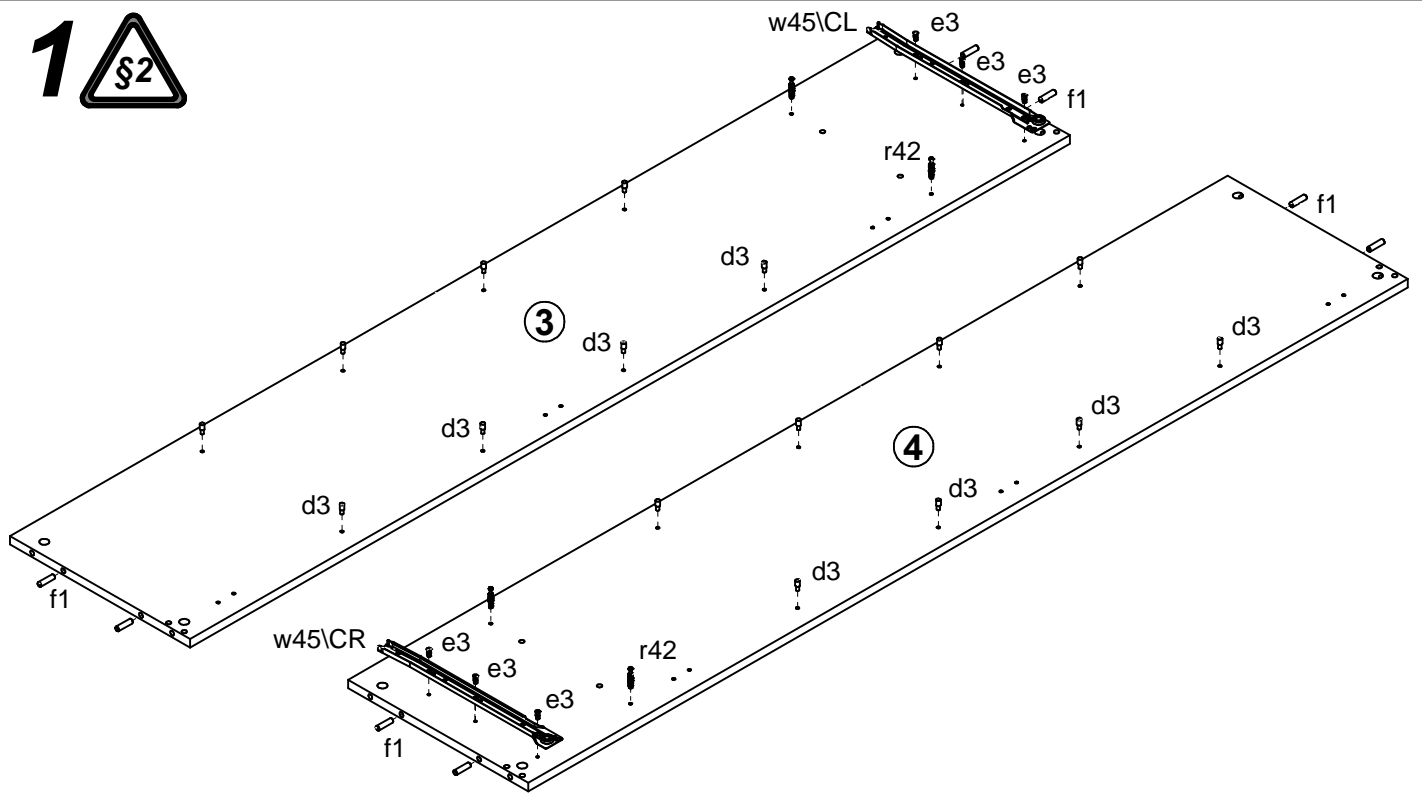
S157-REG1W1S

A	B	C	D	A	B	C	D		
1	S157-010	544	236	4/5	10	S157-505	530	40	2/5
2	S157-013	1548	544	5/5	11	S157-518	516	366	3/5
3	S157-121	1812	371	1/5	12	S157-911	480	348	1/5
4	S157-122	1812	371	1/5	13	S157-913 A	1588	543	5/5
5	S157-208	550	396	2/5	14	S157-920	269	543	5/5
6	S157-209	550	396	2/5	15	ZS2-531	350	140	1/5
7	S157-309	518	371	1/5	16	ZS2-532	350	140	1/5
8	S157-404	518	70	2/5	17	ZS2-5587	469	140	1/5
9	S157-502	346	40	2/5					

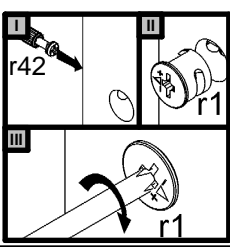
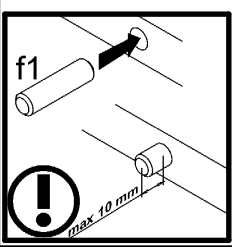
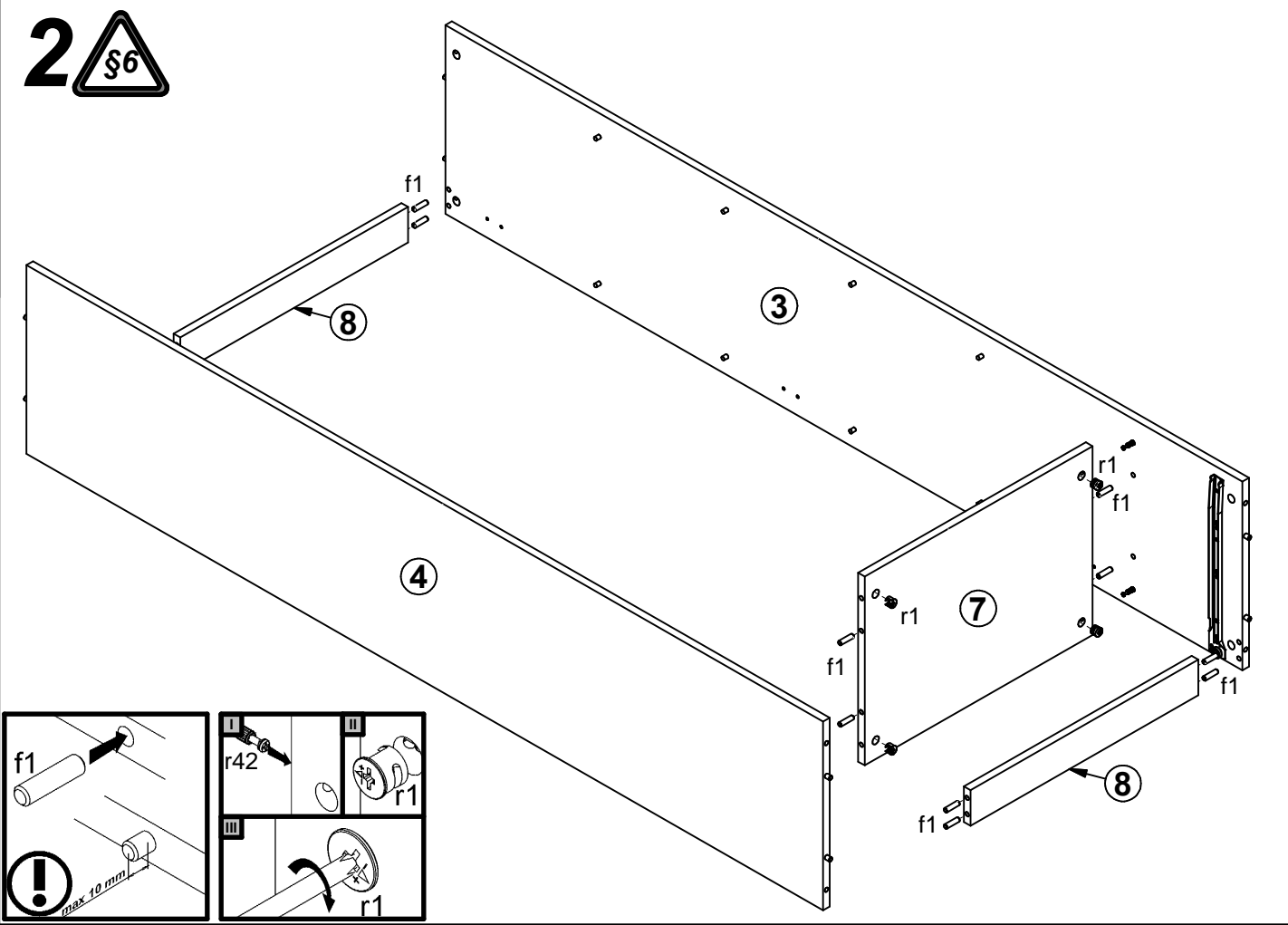


3x a44	3x b19	2x c333	16x d3 Ø5x17 mm	6x e1 Ø7x50 mm	4x e19 Ø5x9 mm	6x e2 Ø6,3x13 mm	6x e3 Ø6x13 mm	26x f1 Ø8x30 mm
4x f25 Ø6,5x40 mm	2x j132 M4x9 mm #5	2x j59 M4x18 mm	4x k39 2 M6/ø14x14 mm	4x k39 3 M6/22 mm	60x l1	2x o26 Ø5/ø10x1,4 mm	2x o27 Ø6,5/ø10x5,2 mm	6x p51 Ø3,5x15 mm
12x r1 Ø15x12 mm #16	4x r15 Ø12x10,5 mm #12	16x r42	1x w45 CL 350 mm	1x w45 CR 350 mm	1x w45 DL 350 mm	1x w45 DR 350 mm	4x s2 Ø16	1x z1
1x n26 1	1x p38 Ø3,5x16 mm							

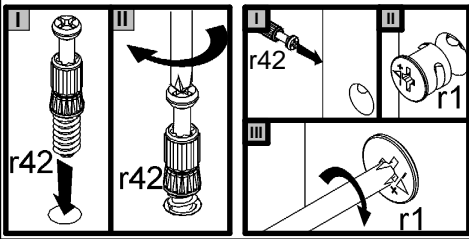
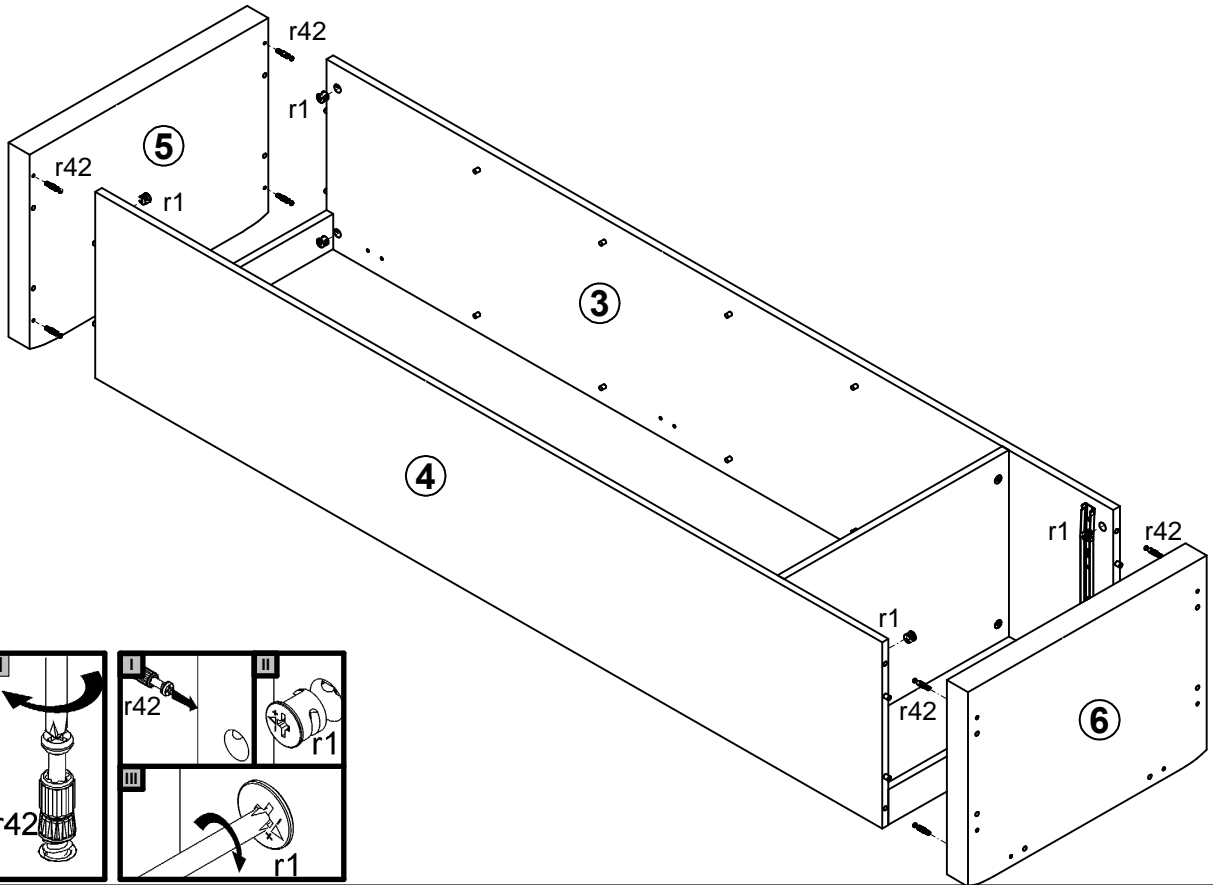
1



2



3



4

