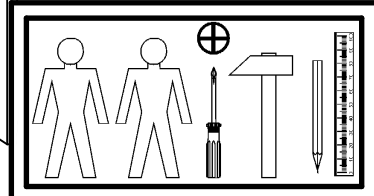
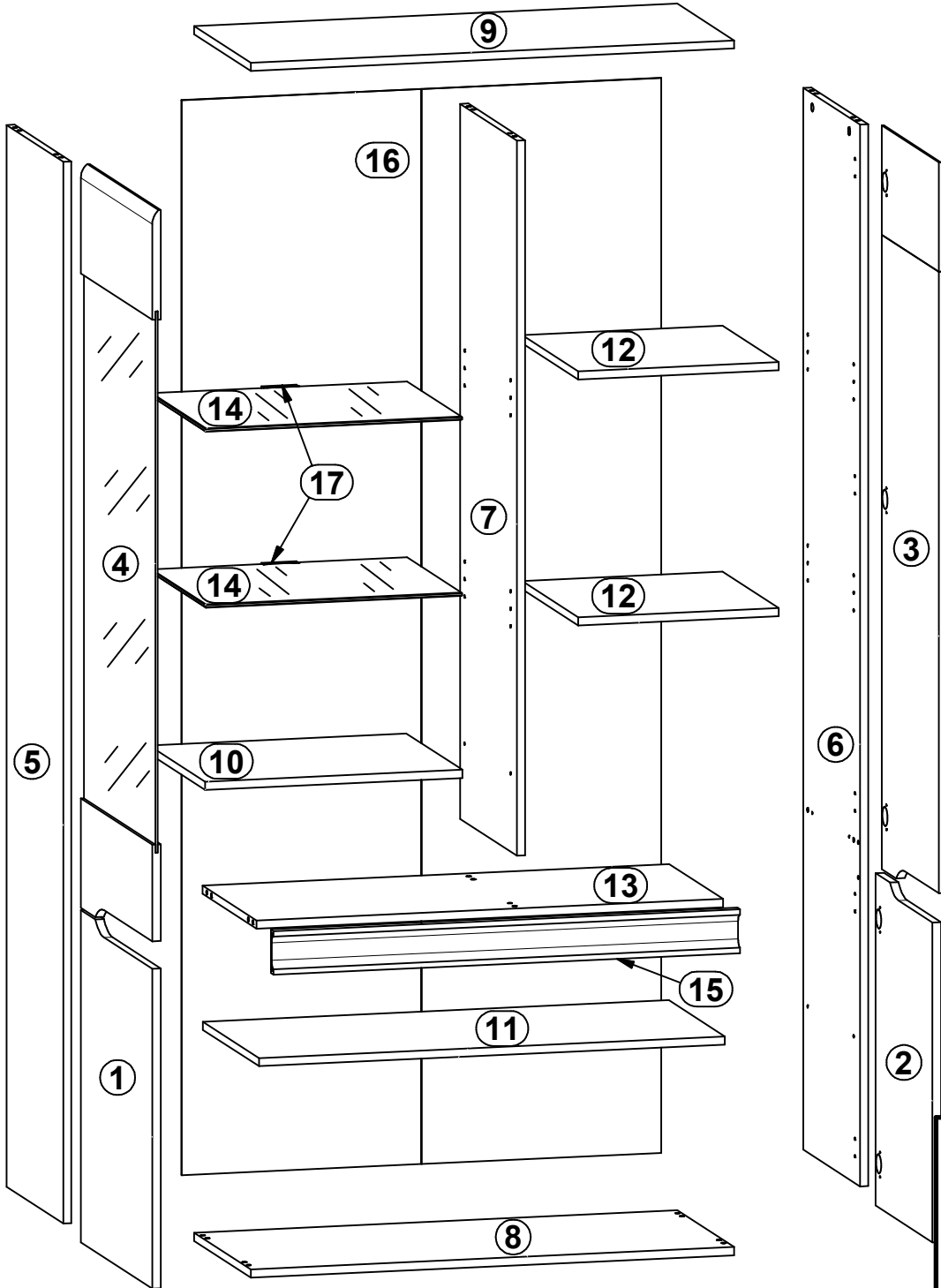
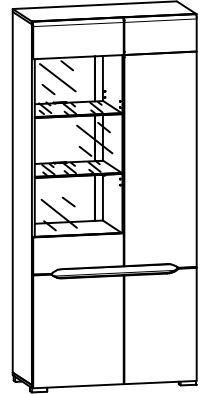


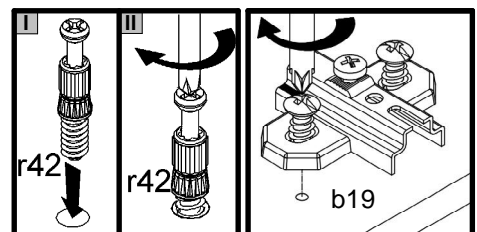
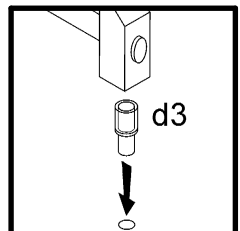
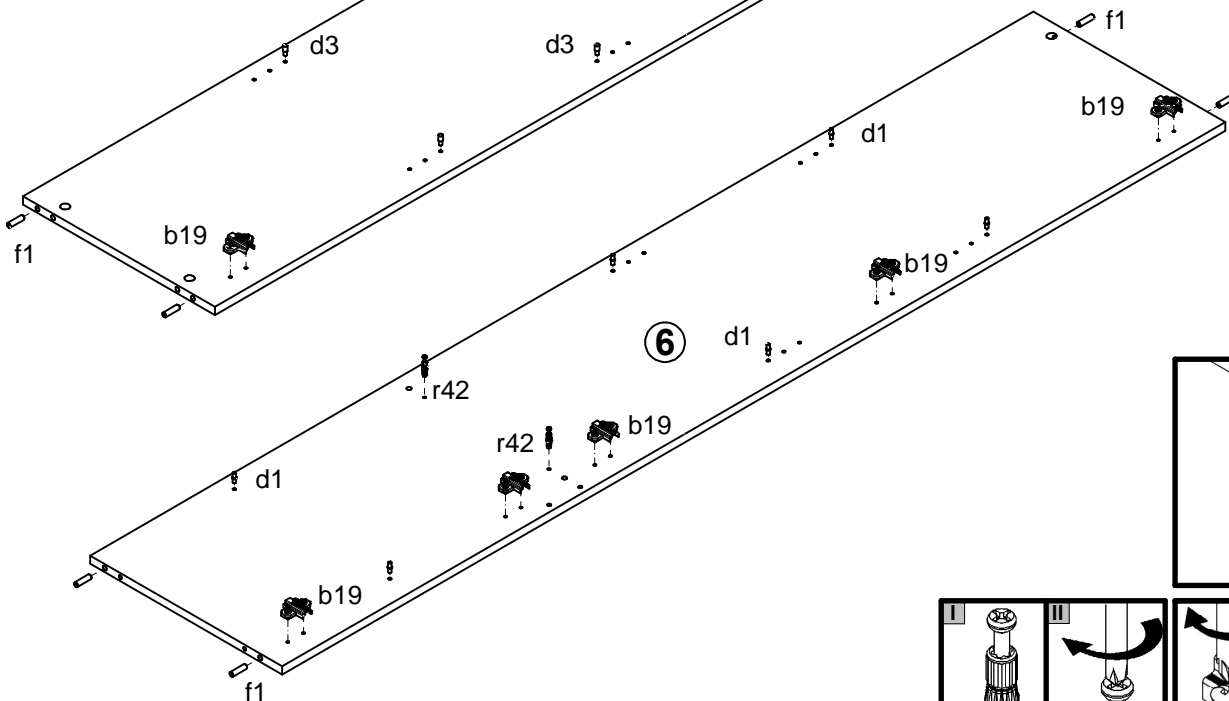
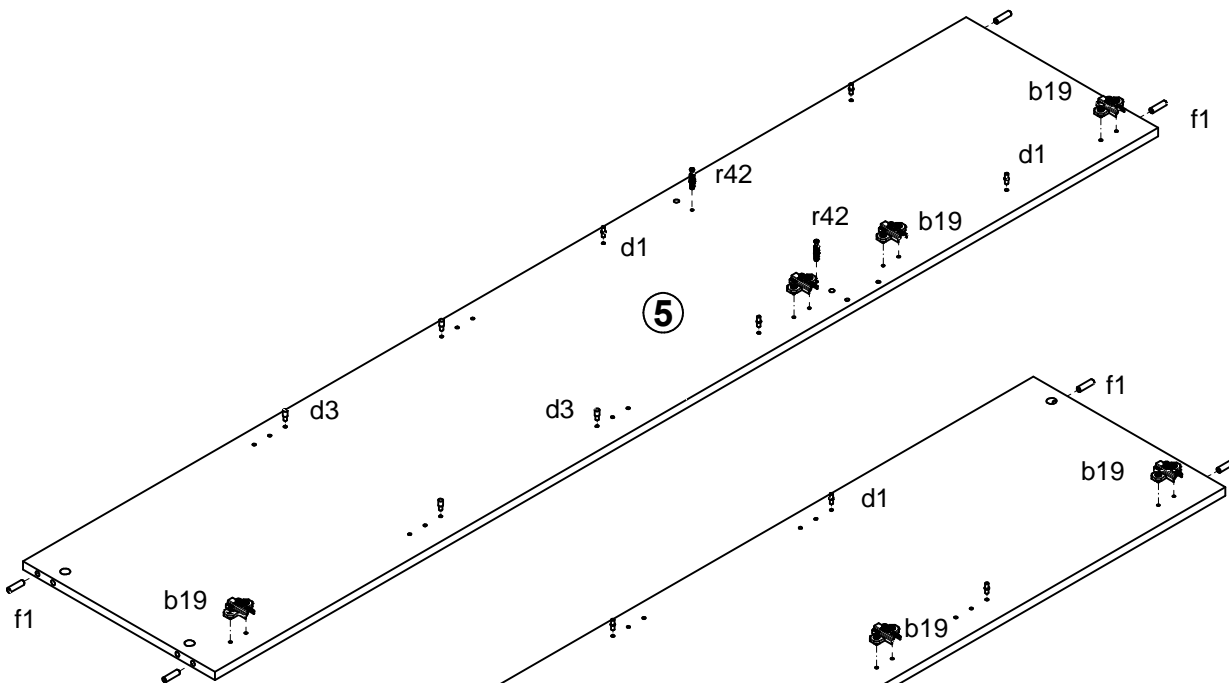
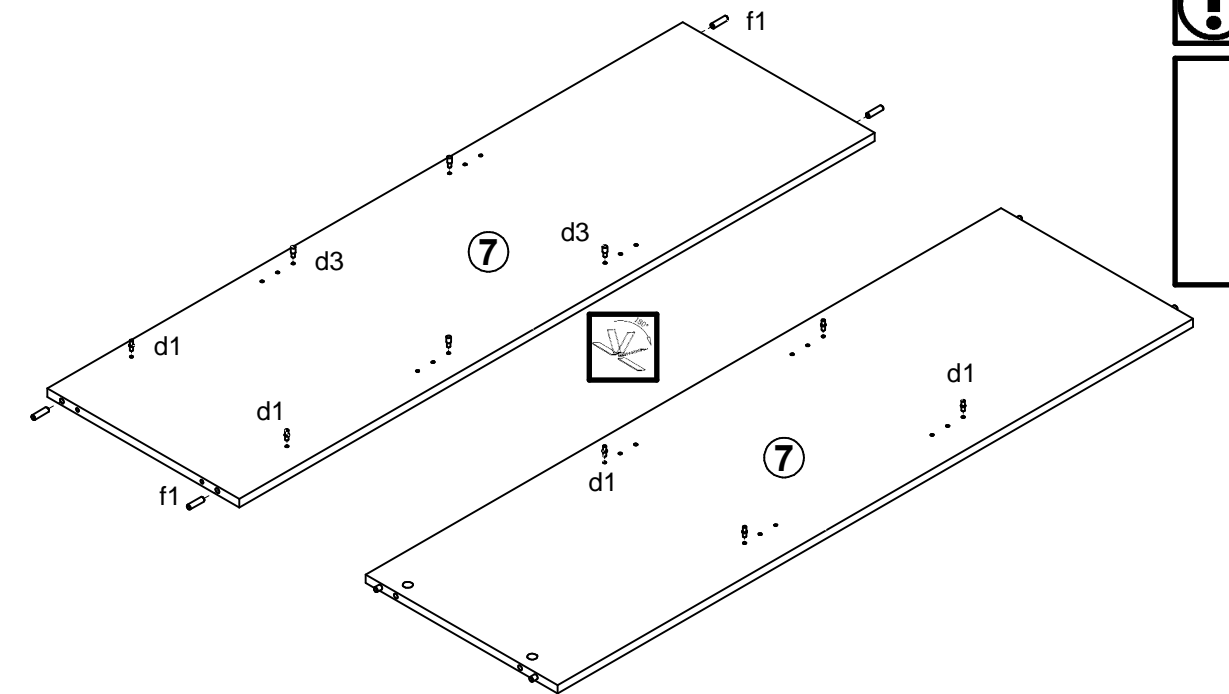
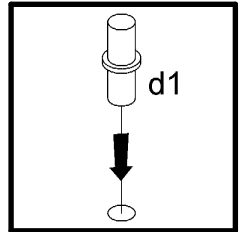
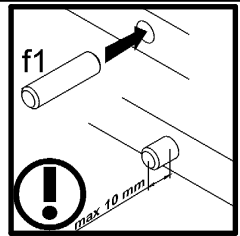
A	B	C	D	A	B	C	D	A	B	C	D			
1	S314-013	496	608	4/6	7	S314-125	1308	395	2/6	13	S314-309	869	375	2/6
2	S314-030	396	608	4/6	8	S314-210	900	395	2/6	14	S314-501	478	380	3/6
3	S314-031	1360	396	5/6	9	S314-214	900	395	2/6	15	S314-575	869	80	2/6
4	S314-032	1360	496	6/6	10	S314-302	479	390	2/6	16	S314-911	1966	893	1/6
5	S314-123	1942	395	1/6	11	S314-307	868	390	2/6					
6	S314-124	1942	395	1/6	12	S314-308	373	390	2/6					

A	B	C	D
17	qa70V2-BI	LED	1/1

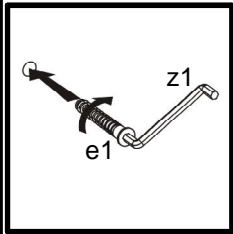
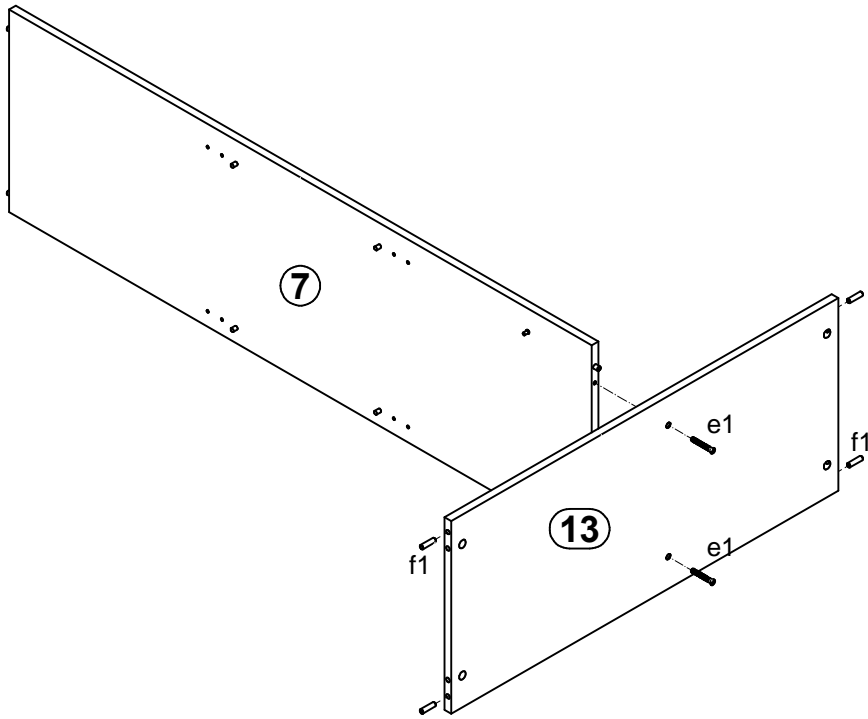
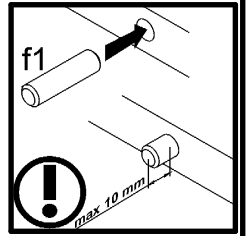


9x a44	9x b19	16x d1 ø5x17 mm	8x d3 ø5x17 mm	6x e1 ø7x50 mm	16x f1 ø8x30 mm	4x f9 ø6x30 mm	4x k77 84x40/25 mm	80x l1
8x p36 ø4x25 mm	18x p51 ø3.5x15 mm	10x r1 ø1.5x12mm #16	10x r42	1x z1	1x n261	1x p38 ø3.5x16 mm	6 s2 ø16	

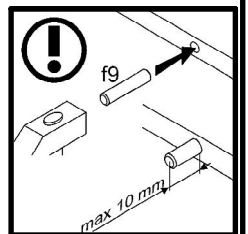
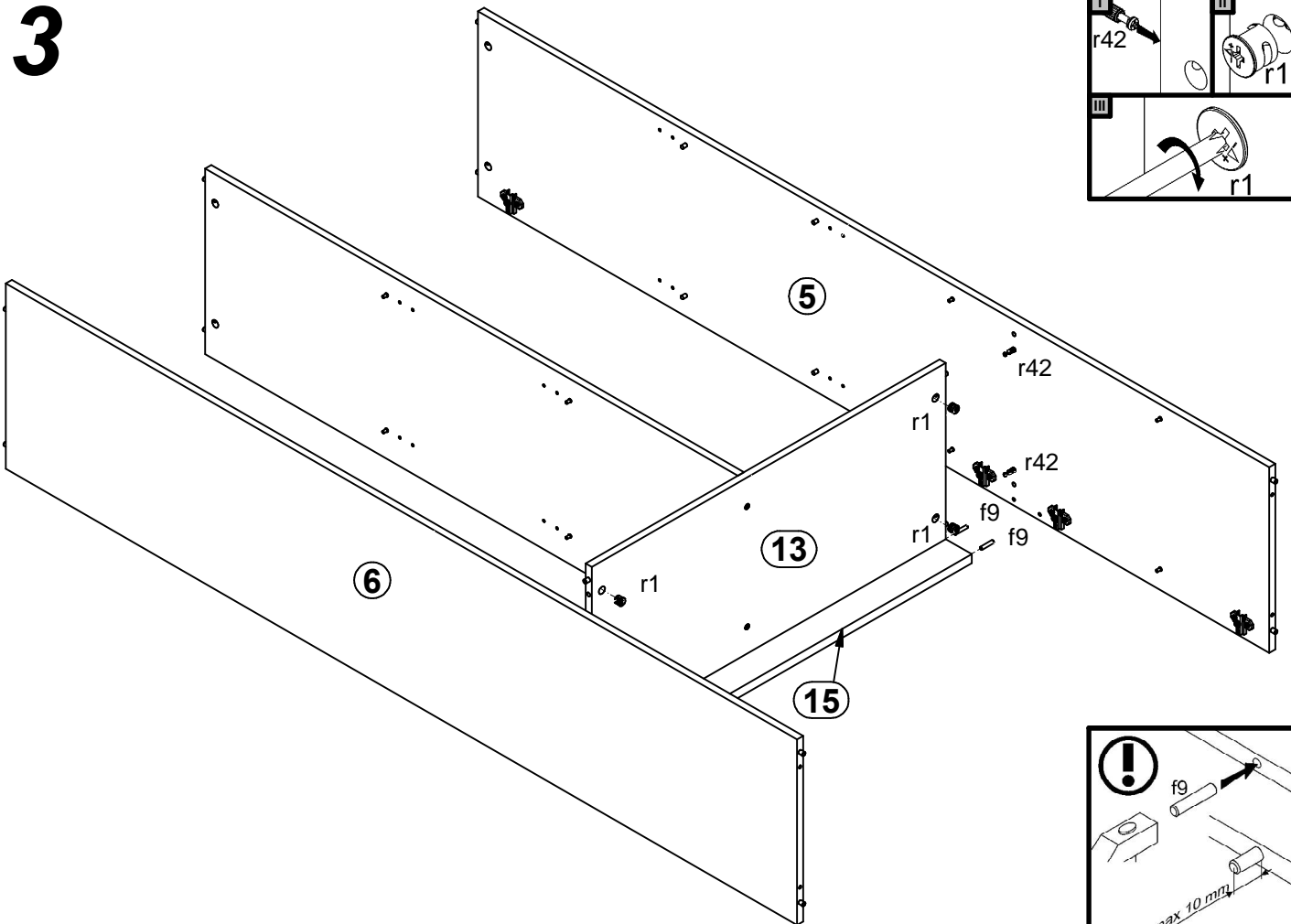
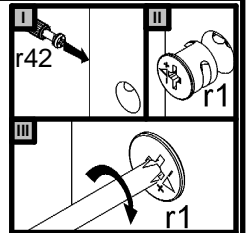
1 §2

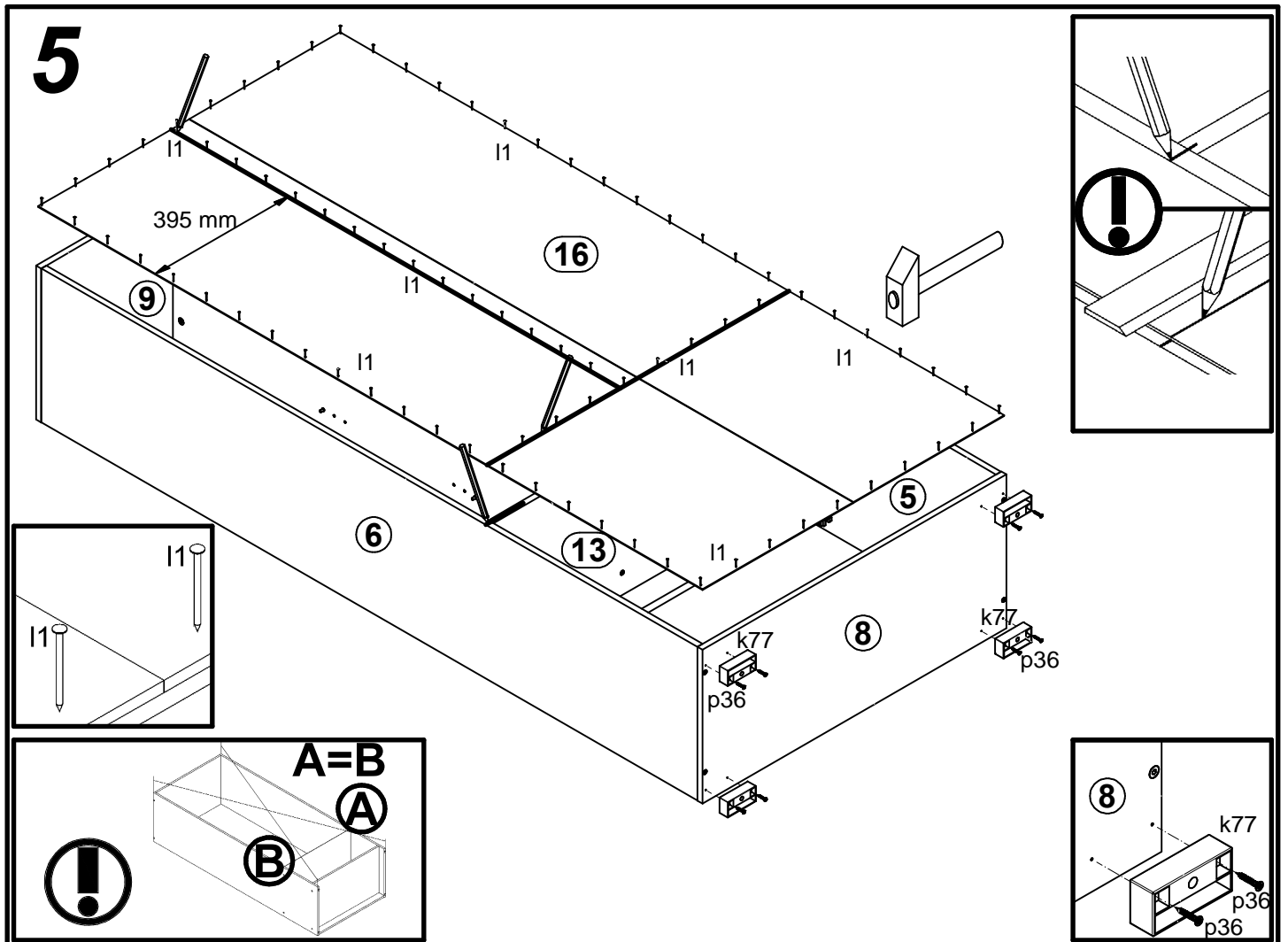
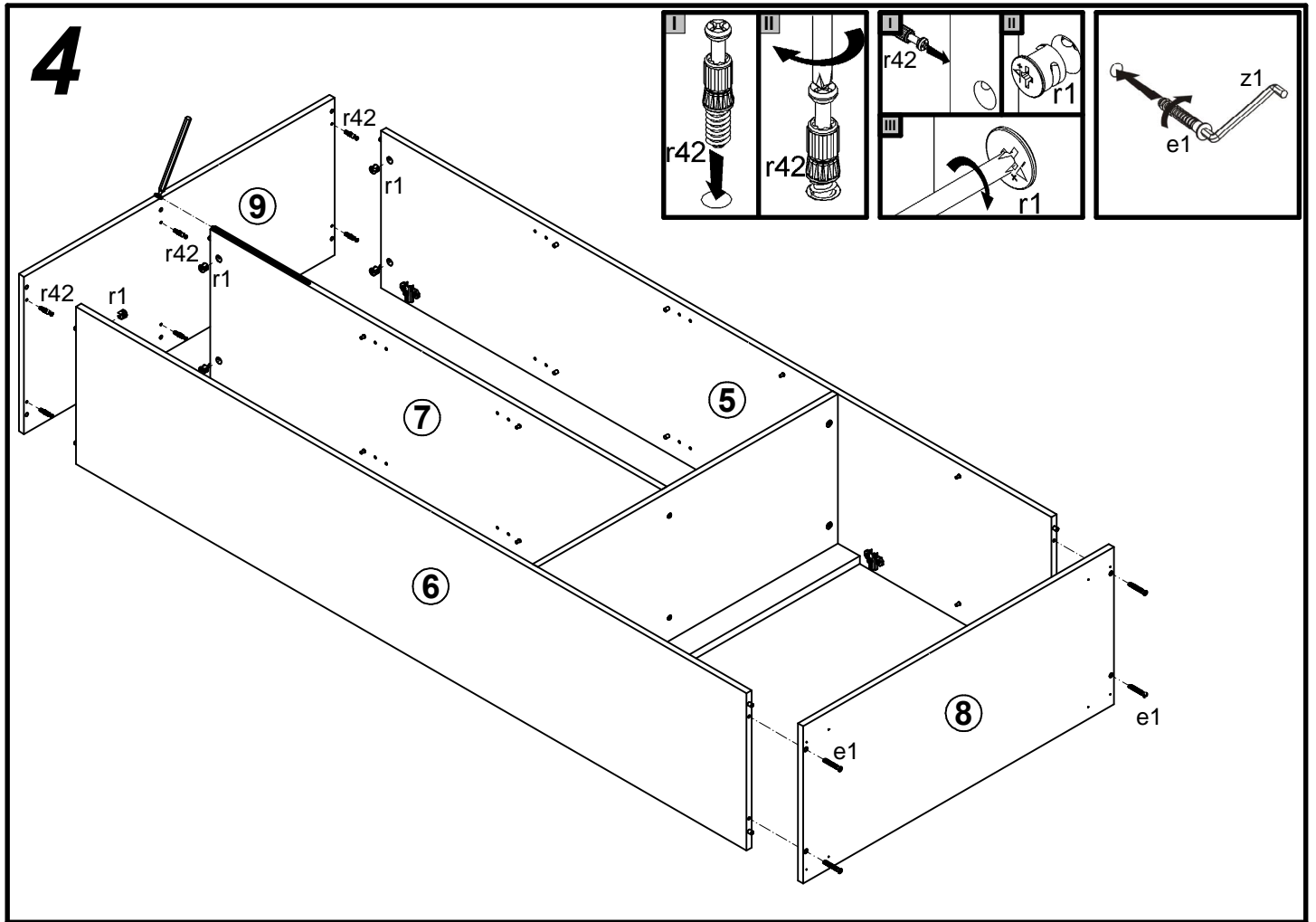


2 §6



3





6

