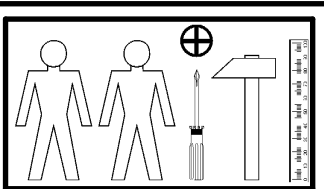
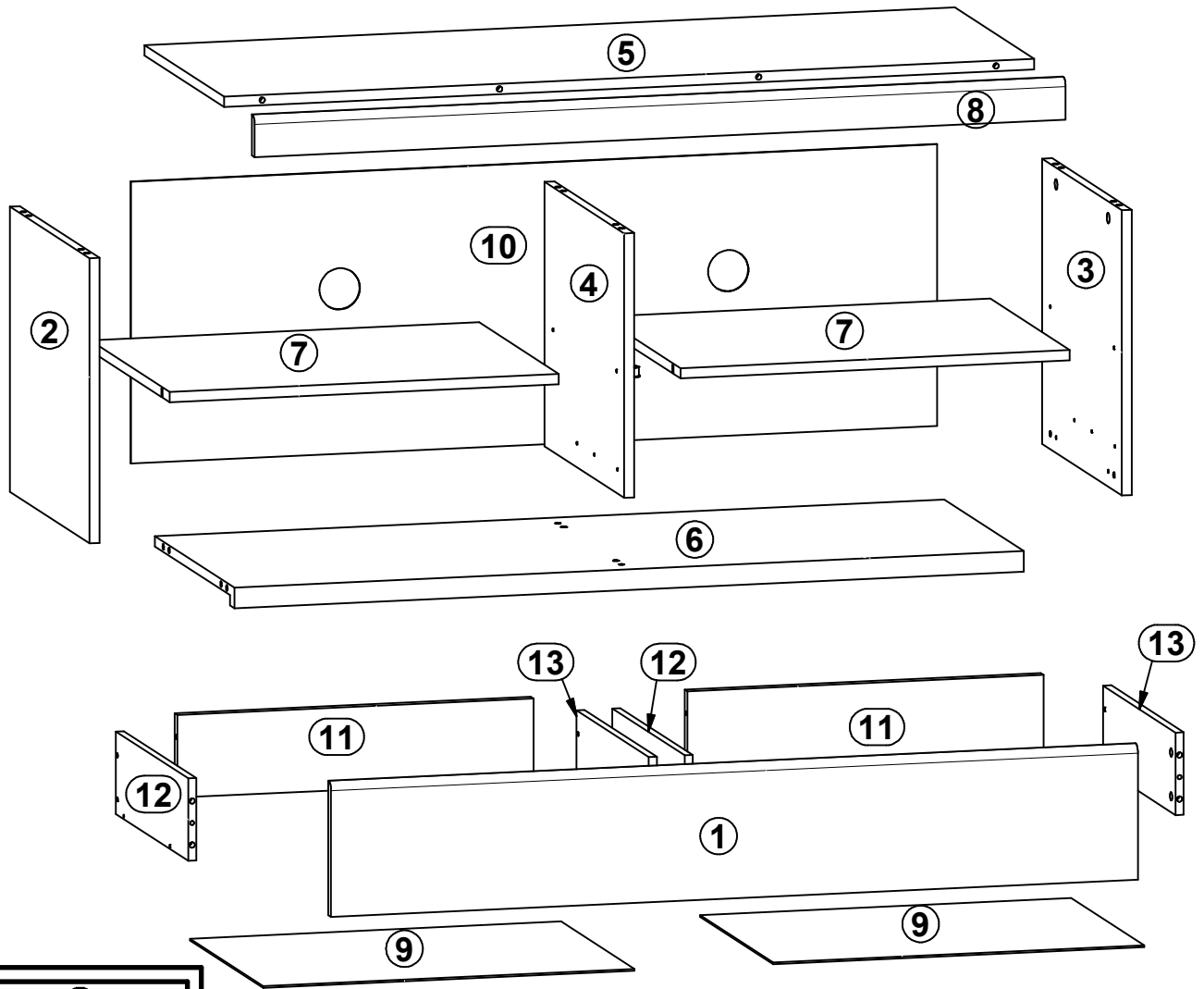
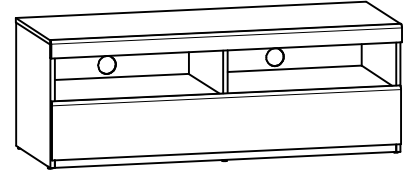
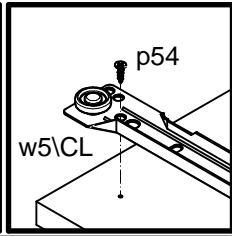
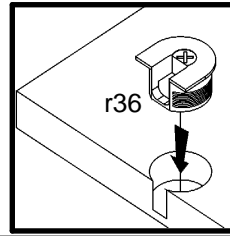
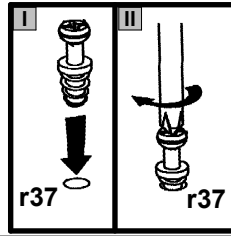
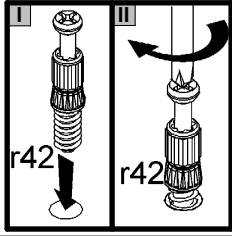
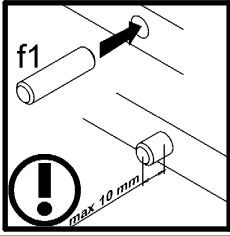
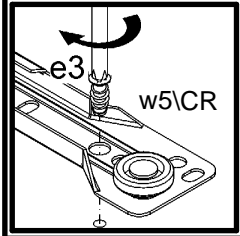
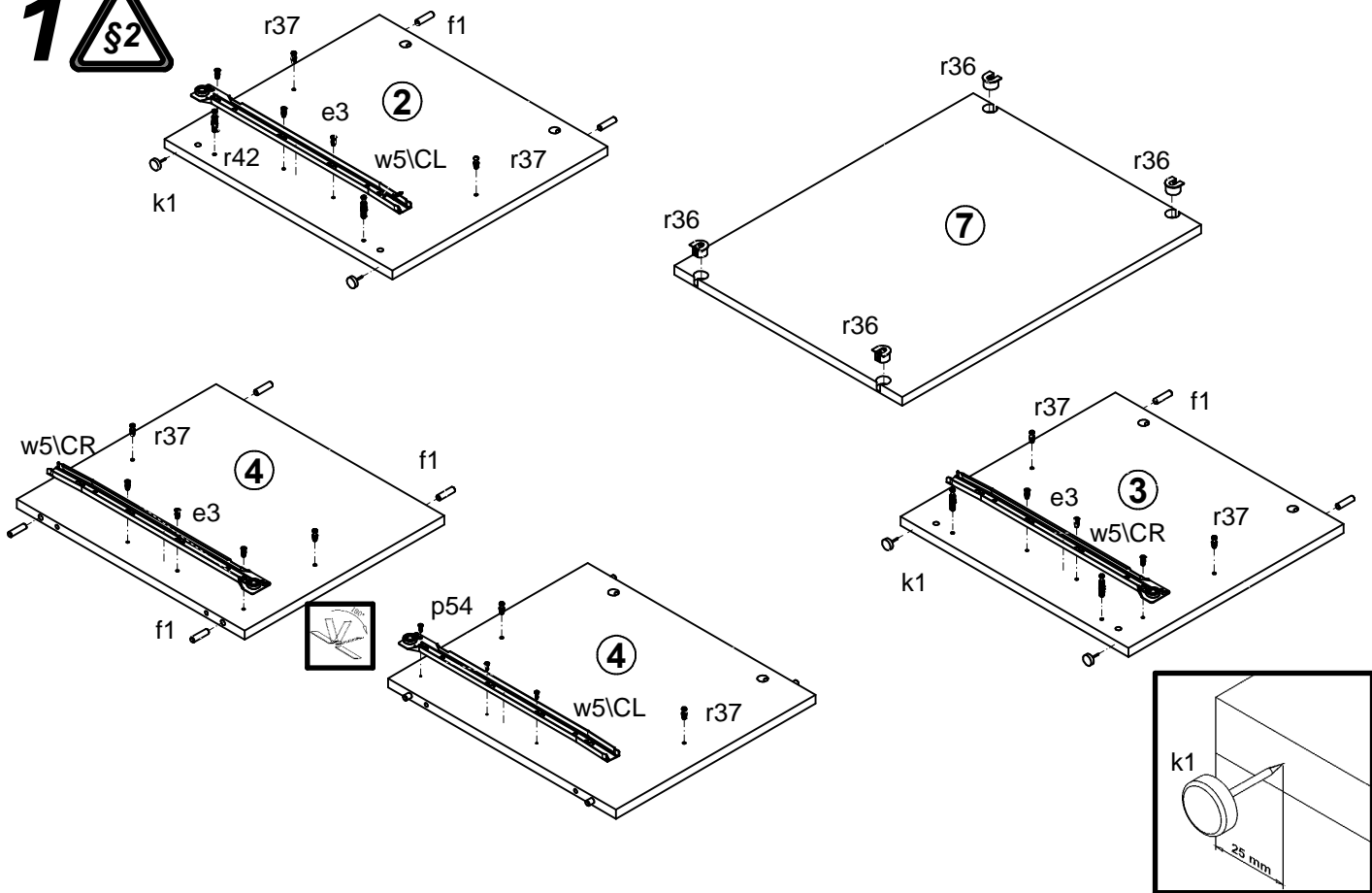


A	B	C	D	
1	S324-016	1196	196	3/3
2	S324-122	415	440	2/3
3	S324-123	415	440	2/3
4	S324-124	385	440	2/3
5	S324-206	1201	440	1/3
6	S324-318	1170	440	1/3
7	S324-321	577	440	2/3
8	S324-503	1202	60	3/3
9	S324-916	550	405	1/3
10	S324-919	410	1195	1/3
11	ZS3-5614	528	120	2/3
12	ZS4-503	400	120	2/3
13	ZS4-504	400	120	2/3

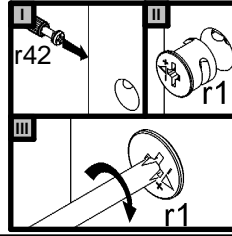
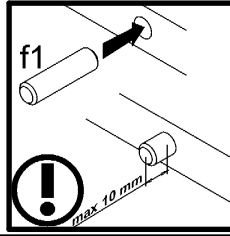
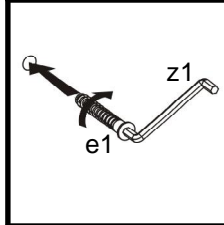
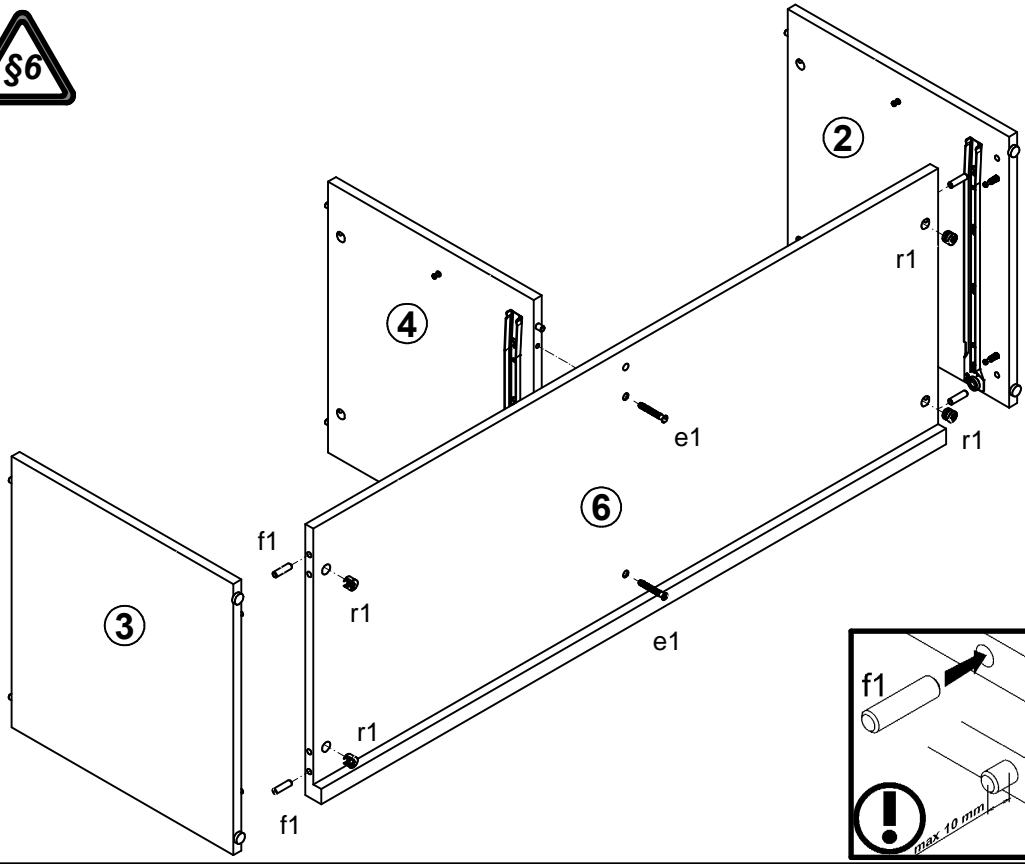


2x Ø7x50 mm e1	9x Ø6x13 mm e3	8x Ø5x9 mm e19	12x Ø8x30 mm f1	4x Ø6x30 mm f9	8x Ø6,5x40 mm f25	5x k1	1x k27	50x l1
3x silikon o21	10x Ø3,5x16 mm p38	3x Ø3x12 mm p54	14x Ø15x12 mm #16 r1	8x Ø12x10,5 mm #12 r15	8x Ø20x12 mm #16 r36	8x 6,7/7,8 r37	22x r42	6x Ø16 s2
2x 400 mm w5\CL	2x 400 mm w5\CR	2x 400 mm w5\DL	2x 400 mm w5\DR	1x z1				

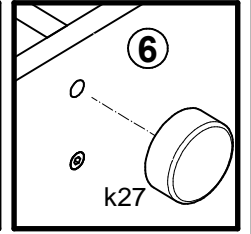
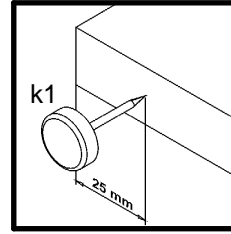
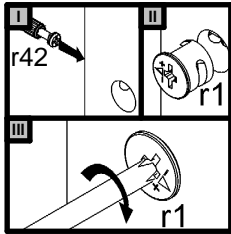
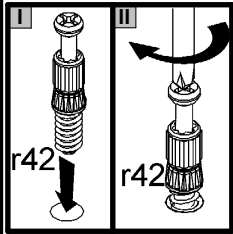
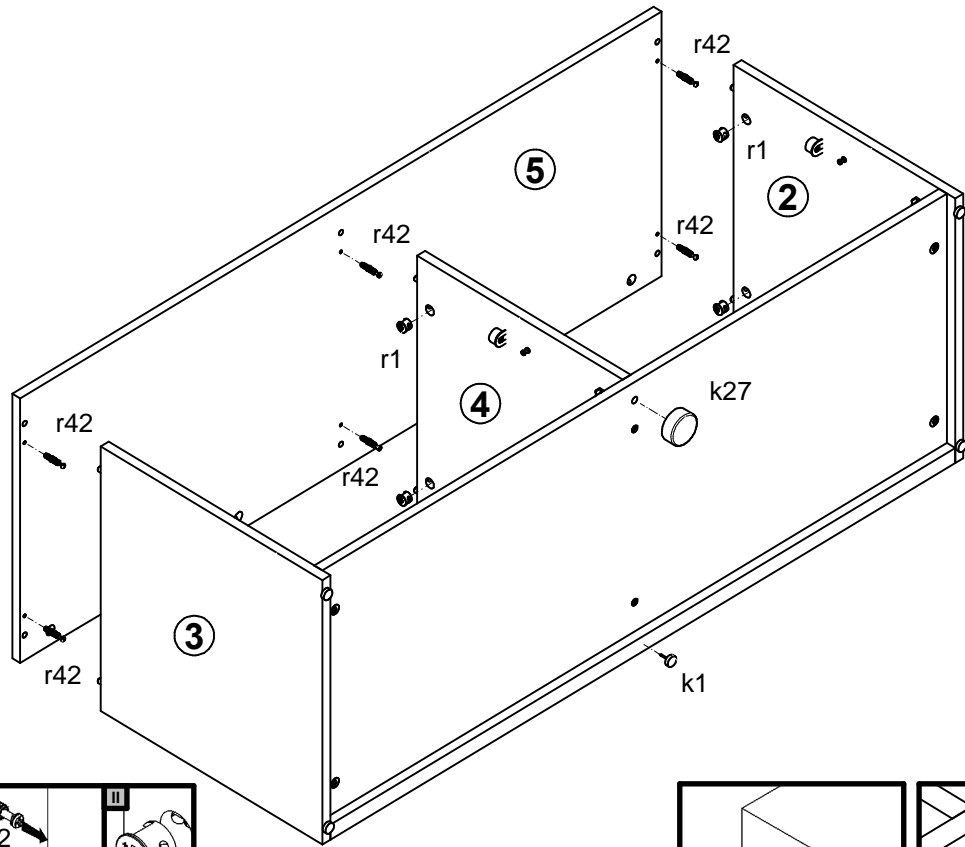
1



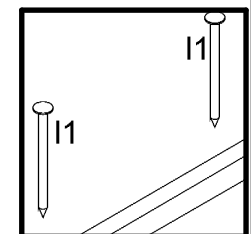
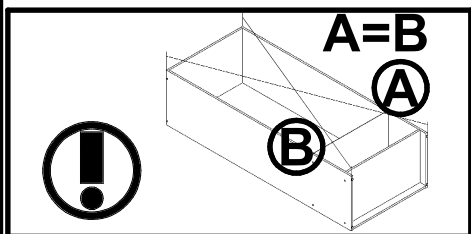
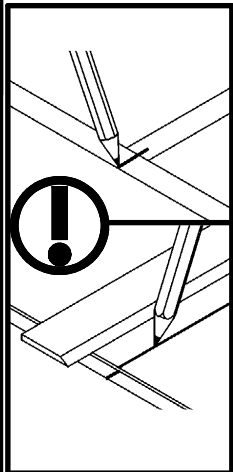
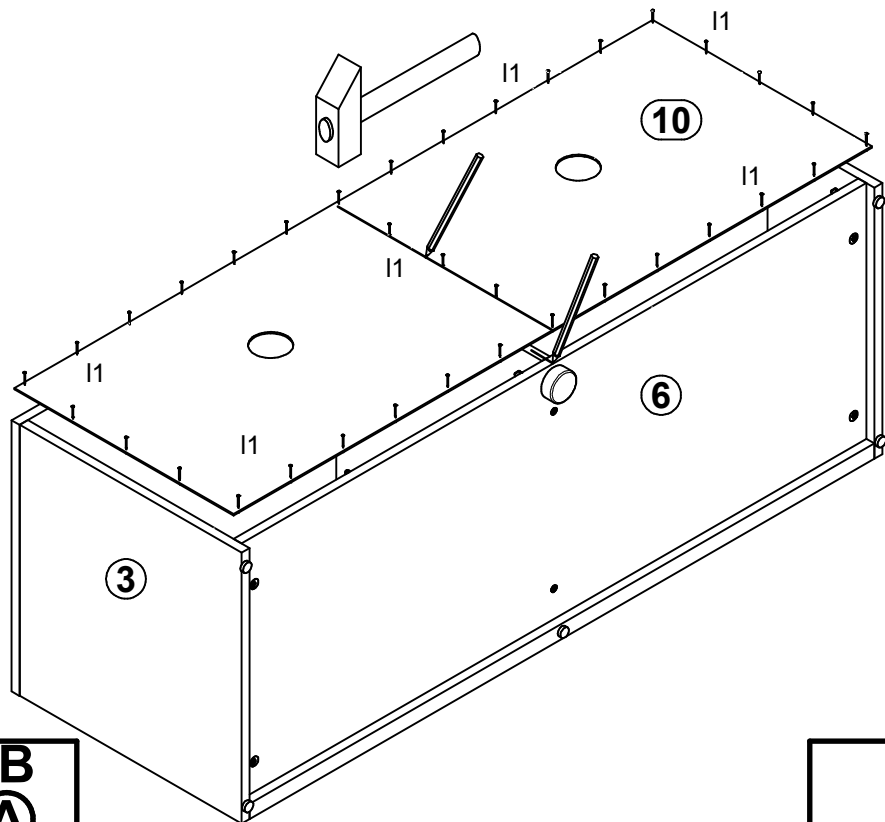
2



3



4



5

