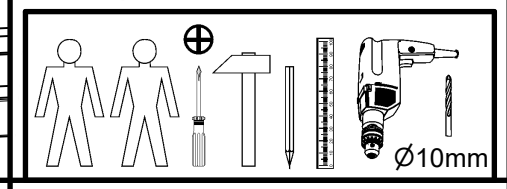
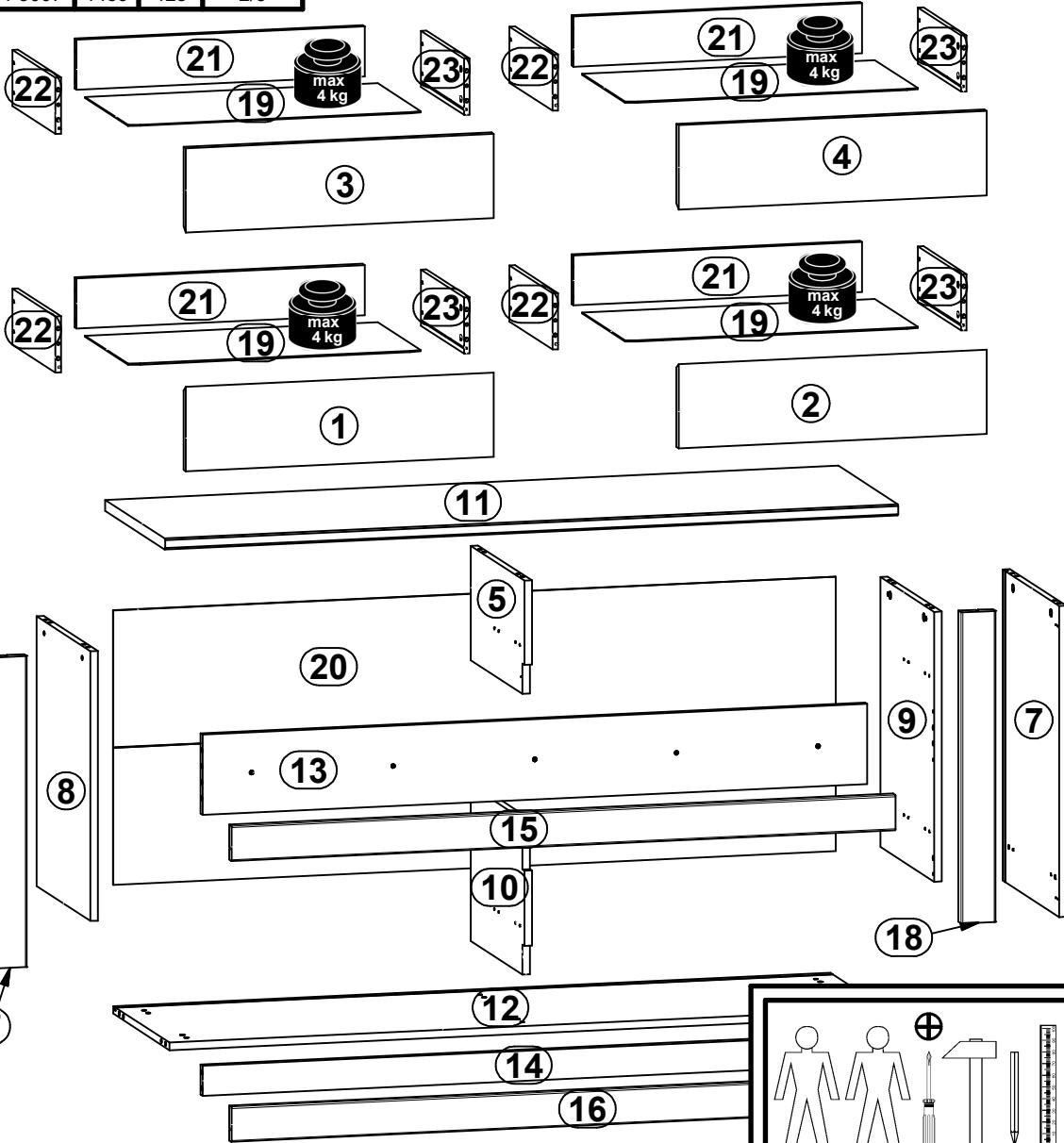
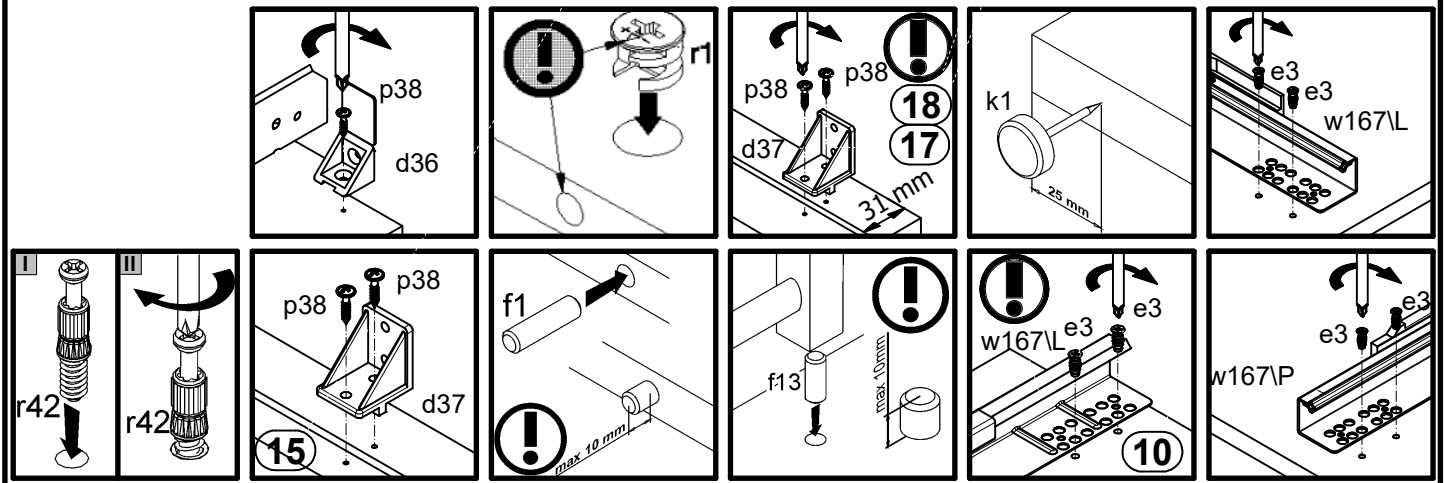
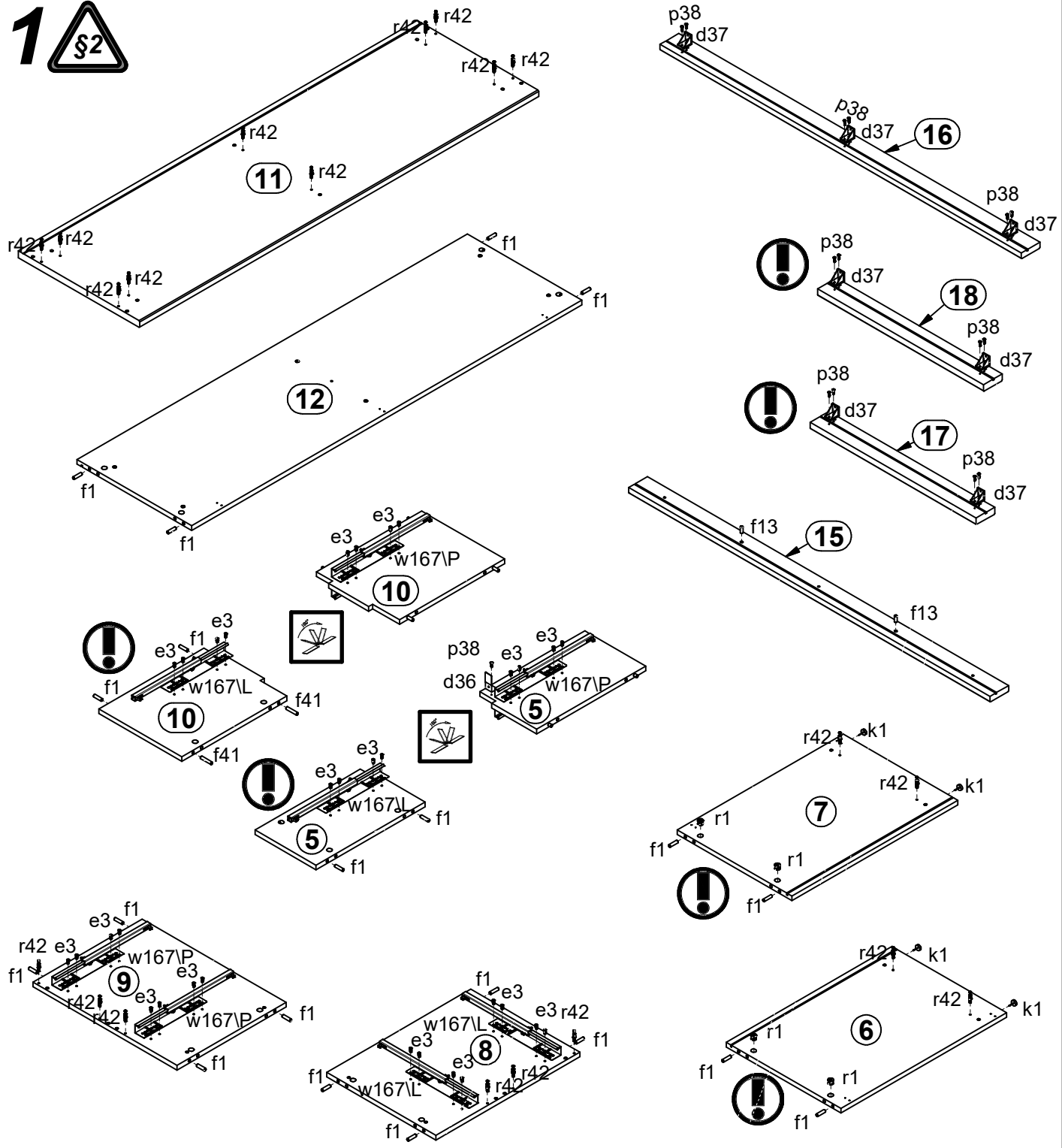


A	B	C	D	A	B	C	D		
1	S404-0010	671	180	3/3	13	S404-4005	1351	160	2/3
2	S404-0011	671	180	3/3	14	S404-4006	1351	60	2/3
3	S404-0012	671	180	3/3	15	S404-5005	1350	70	2/3
4	S404-0013	671	180	3/3	16	S404-5006	1350	70	2/3
5	S404-1006	228	408	1/3	17	S404-5009	620	70	1/3
6	S404-1013	620	428	1/3	18	S404-5010	620	70	1/3
7	S404-1014	620	428	1/3	19	S404-9005	638	355	1/3
8	S404-1015	538	408	1/3	20	S404-9304	547	1469	2/3
9	S404-1016	538	408	1/3	21	ZQ2-1565	628	107	1/3
10	S404-1017	310	408	1/3	22	ZQ3-507	350	120	1/3
11	S404-2004	1491	454	2/3	23	ZQ3-508	350	120	1/3
12	S404-3007	1459	428	2/3					

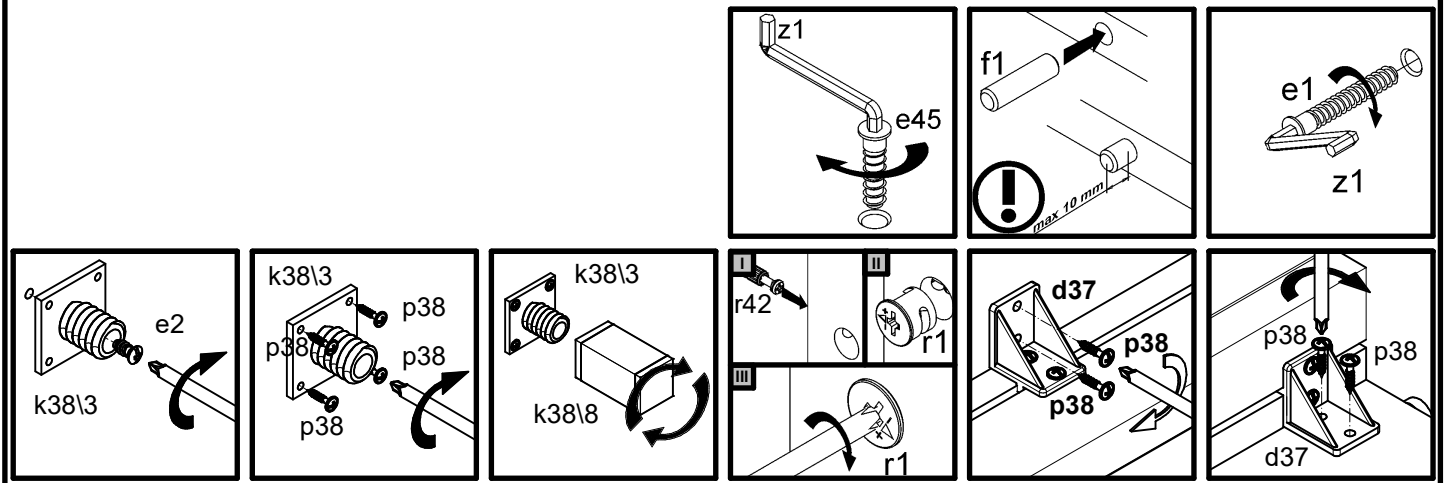
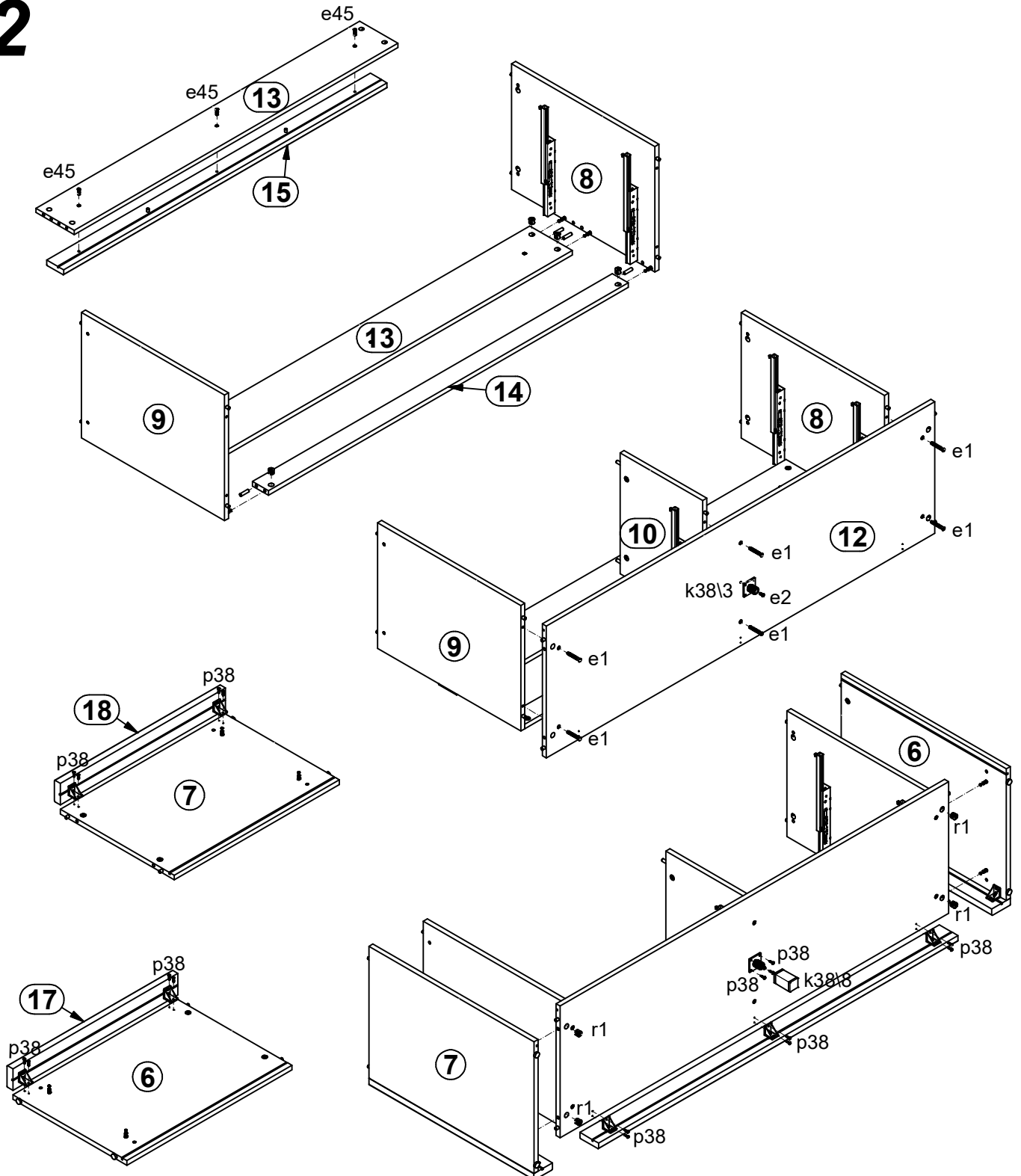


1x  d36	7x  d37	6x  Ø7x50 mm e1	1x  Ø6,3x13 mm e2	32x  Ø6x13 mm e3	3x  Ø7x24 mm e45	26x  Ø8x30 mm f1	2x  Ø8x40 mm f41	8x  Ø6x30 mm f9
2x  Ø6x20 mm f13	16x  Ø6,5x40 mm f25	4x  k1	1x  42,5x42,5x14 mm k38/13	1x  30x30x60 mm k38/18	5x  1,4x20 mm l1	14x  l2	4x  Ø3,5x16 mm p25	4x  Ø3,5x10 mm p35
50x  Ø3,5x16 mm p38	8x  Ø2,9x16 mm p55	24x  Ø15x12 mm #16 r1	16x  Ø12x10,5 mm #12 r15	36x  20/11 r42	2x  40 mm r51	4x  350 mm t35	4x  350mm w167/L	4x  350mm w167/P
1x  4 mm z1						1x  n26/1	1x  Ø3,5x16 mm p38	

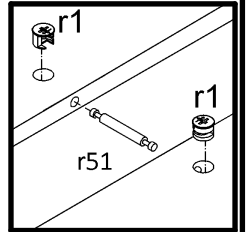
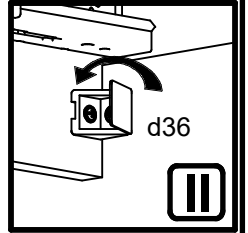
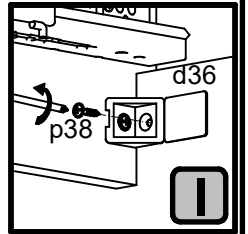
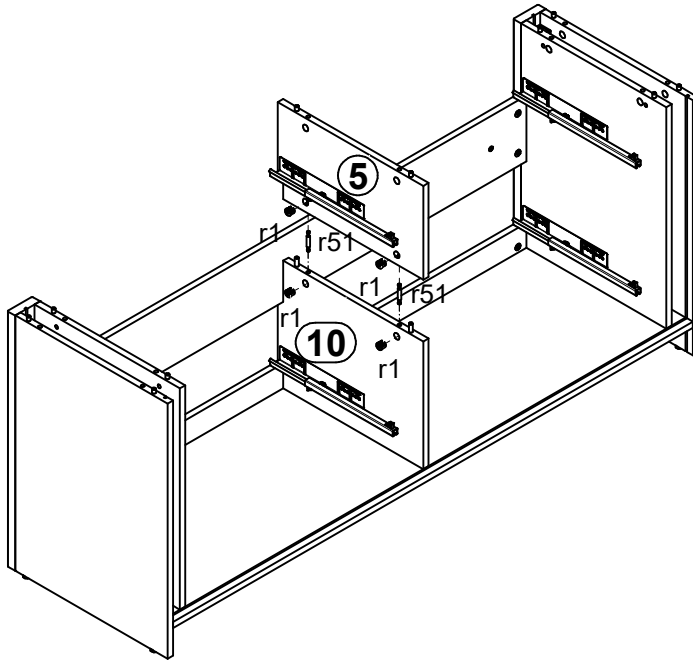
1 



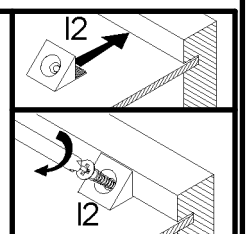
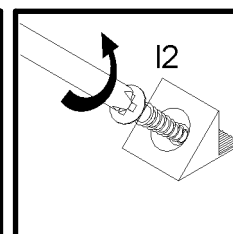
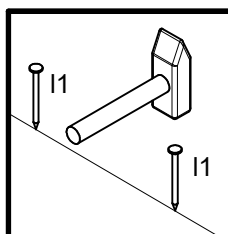
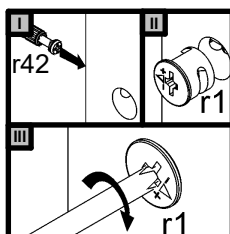
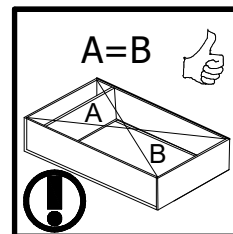
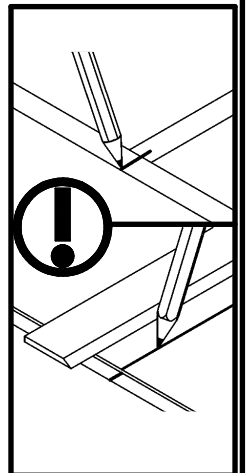
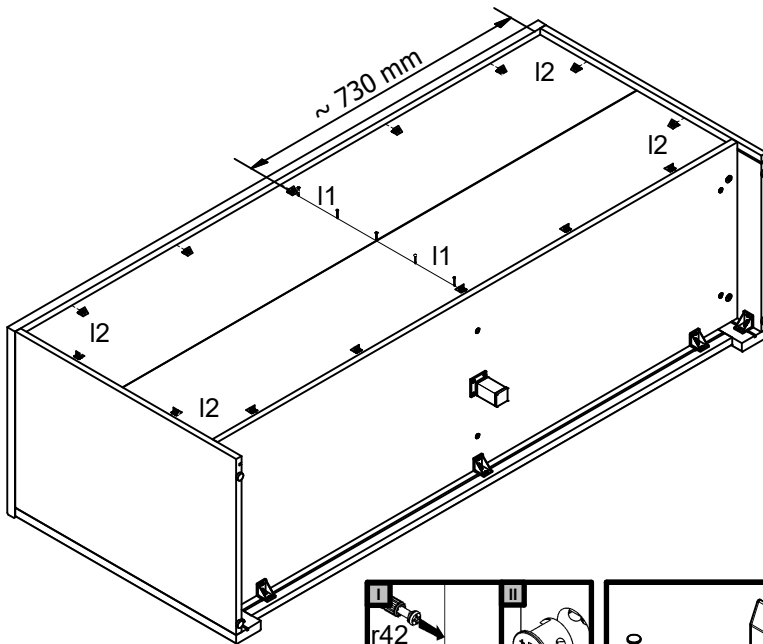
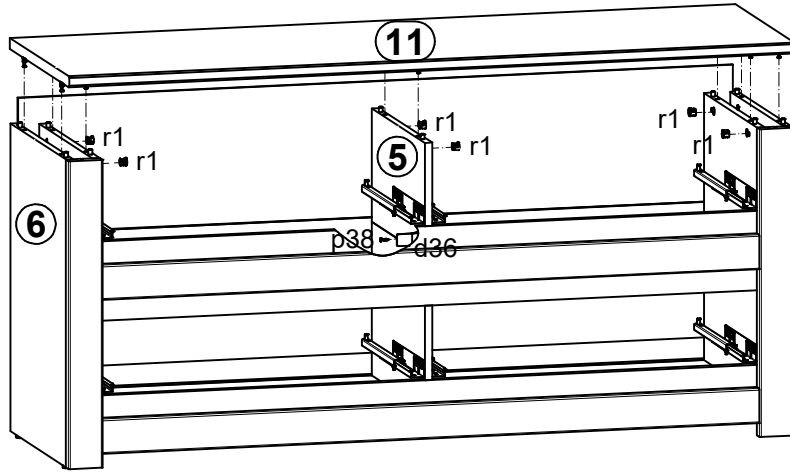
# 2



# 3

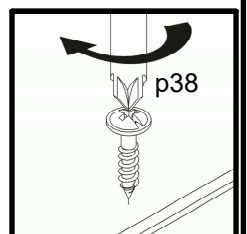
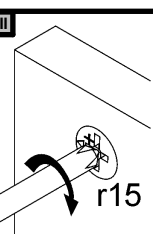
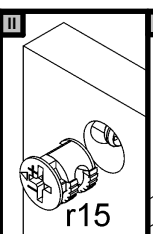
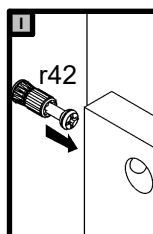
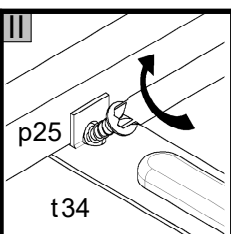
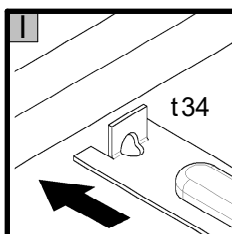
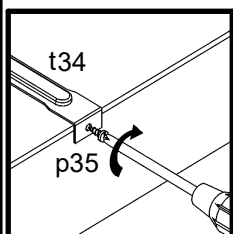
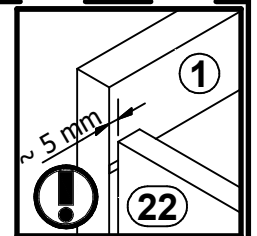
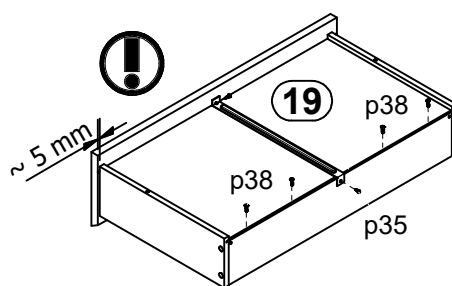
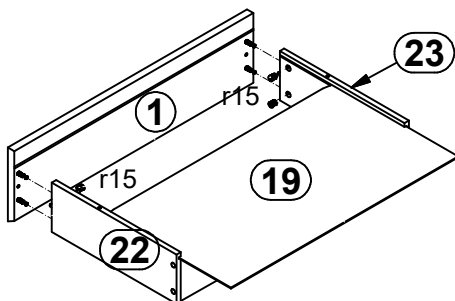
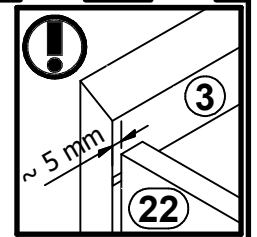
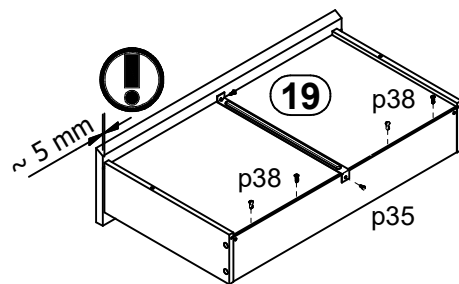
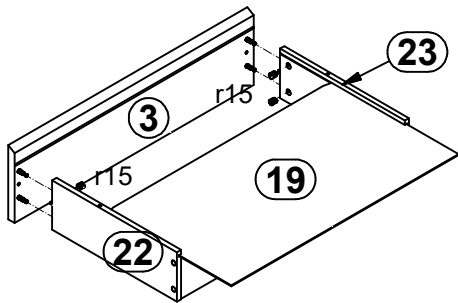
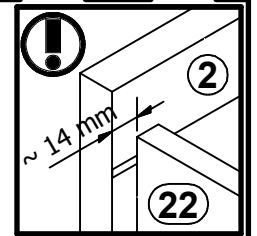
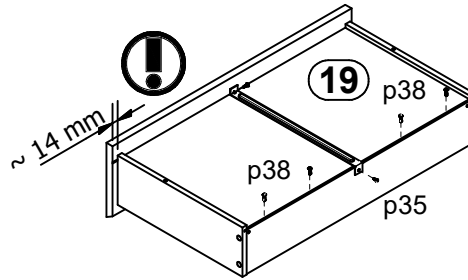
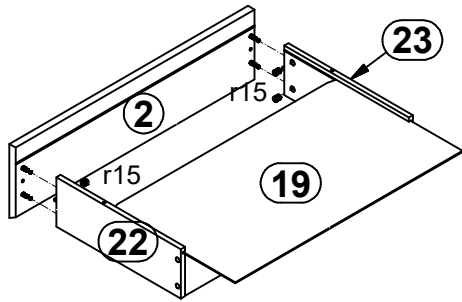
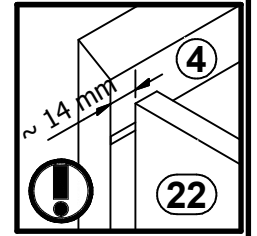
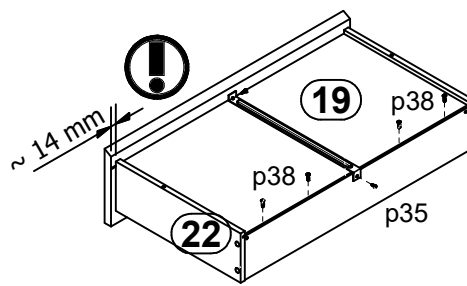
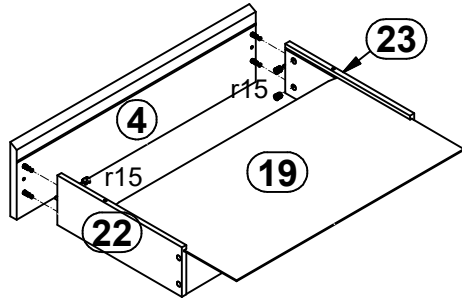
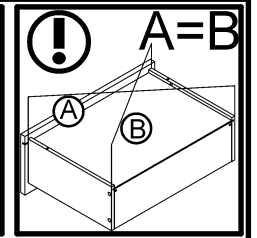
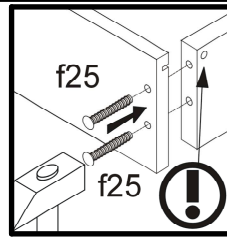
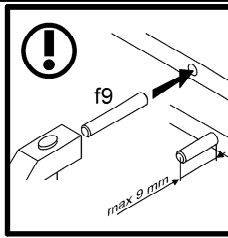
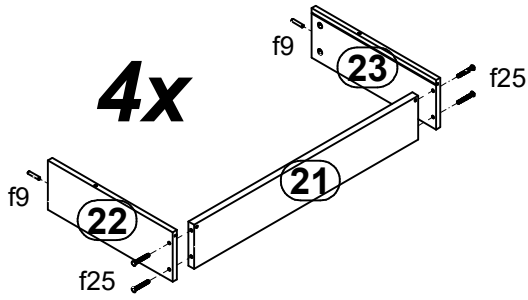


# 4



# 5

## 4x



# 6

