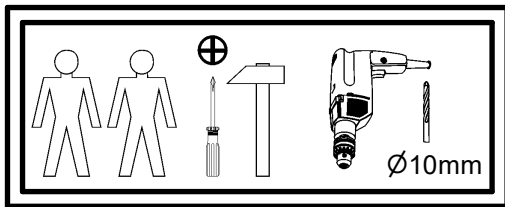
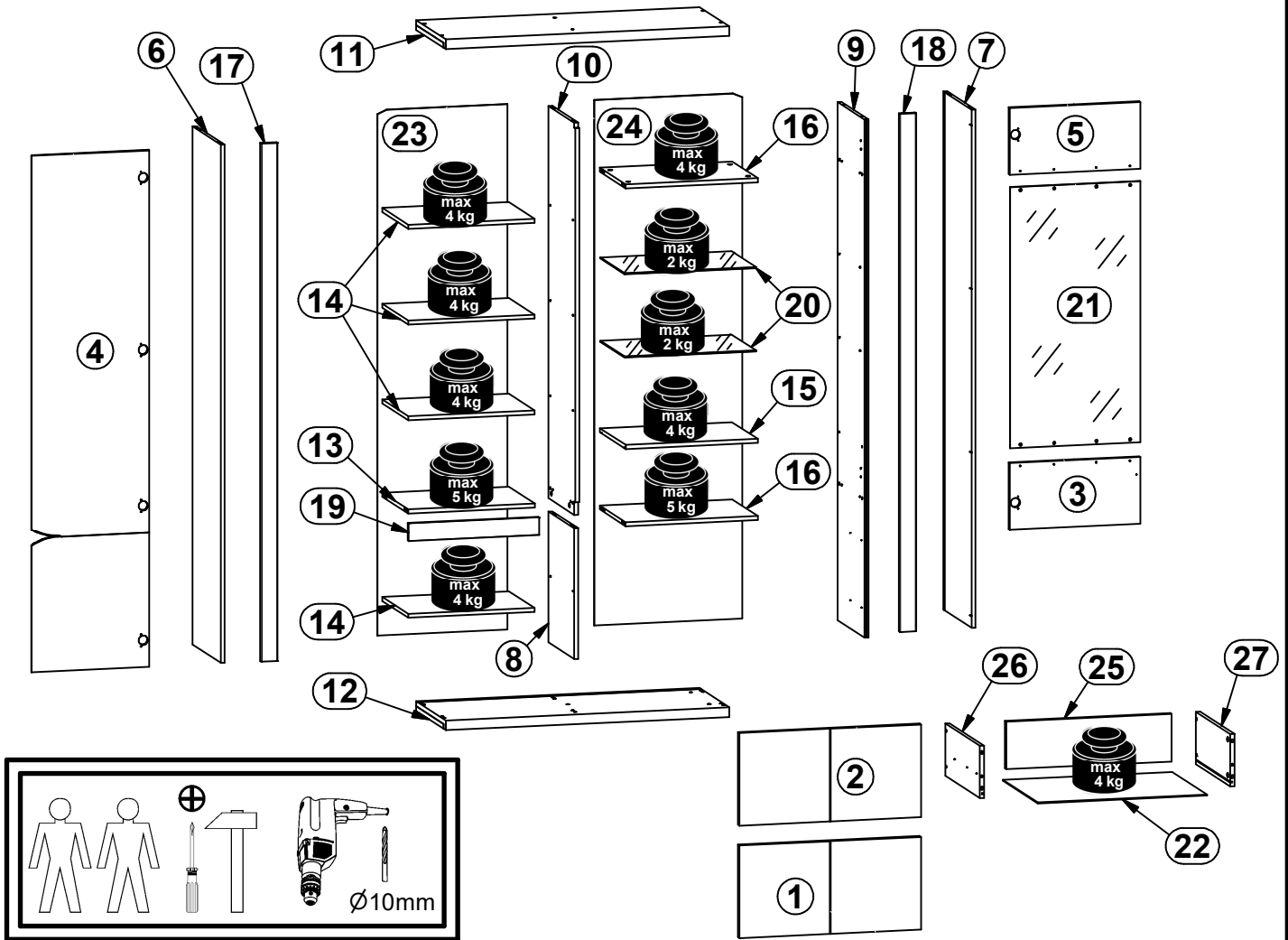
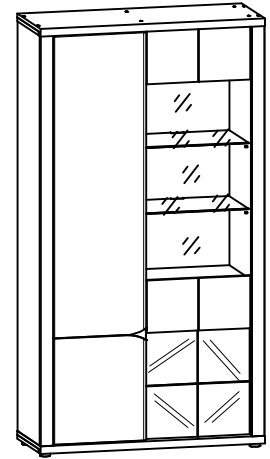
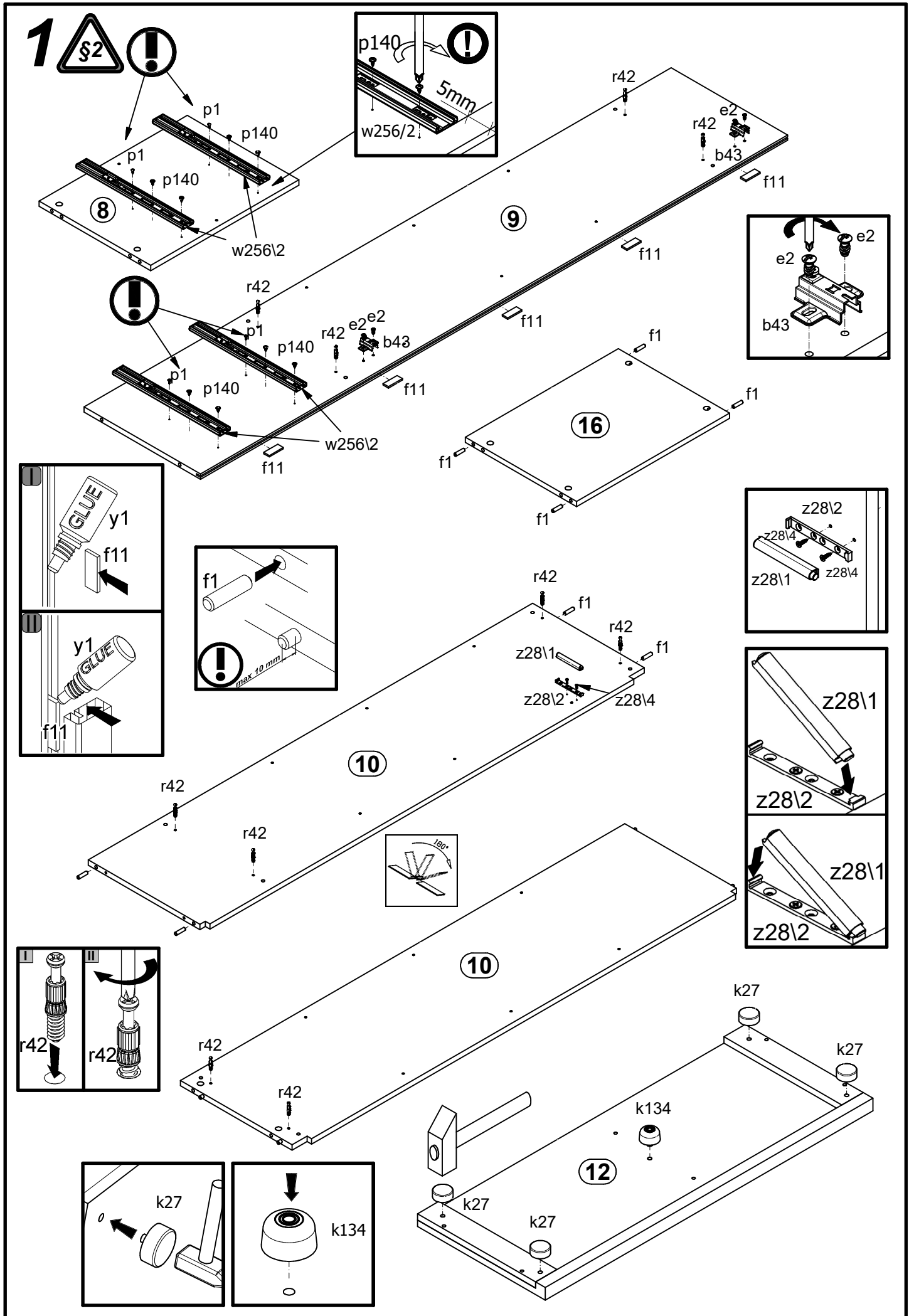


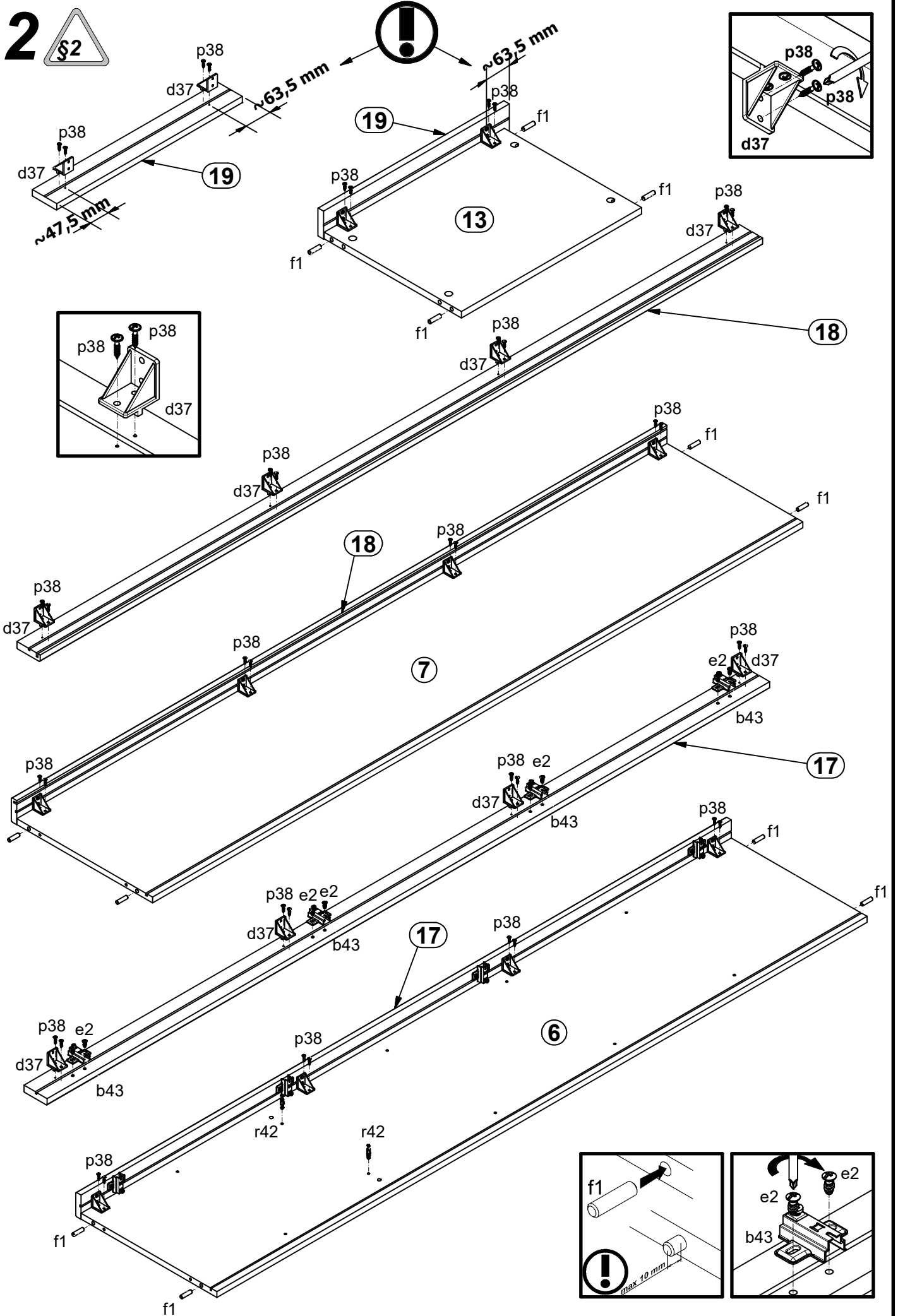
A	B	C	D	A	B	C	D		
1	S458-0001	496	248	3/3	15	S458-3010	501	365	2/3
2	S458-0002	496	248	3/3	16	S458-3019	502	365	2/3
3	S458-0011	496	248	3/3	17	S458-5004	1926	62	1/3
4	S458-0014	1920	446	3/3	18	S458-5005	1926	62	1/3
5	S458-0020	496	248	3/3	19	S458-5007	495	65	3/3
6	S458-1015	1926	402	1/3	20	S458-5054	500	346	1/3
7	S458-1016	1926	402	1/3	21	S458-5056	970	494	1/3
8	S458-1018	486	366	3/3	22	S458-9003	462	357	3/3
9	S458-1021	1926	382	1/3	23	S458-9008	1954	492	3/3
10	S458-1022	1458	381	3/3	24	S458-9011	1954	561	3/3
11	S458-2005	1075	419	2/3	25	ZK3-5111	452	127	3/3
12	S458-2006	1075	419	2/3	26	ZK4-513	350	140	3/3
13	S458-3001	480	366	2/3	27	ZK4-514	350	140	3/3
14	S458-3002	479	365	2/3					



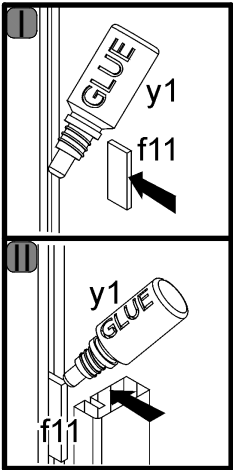
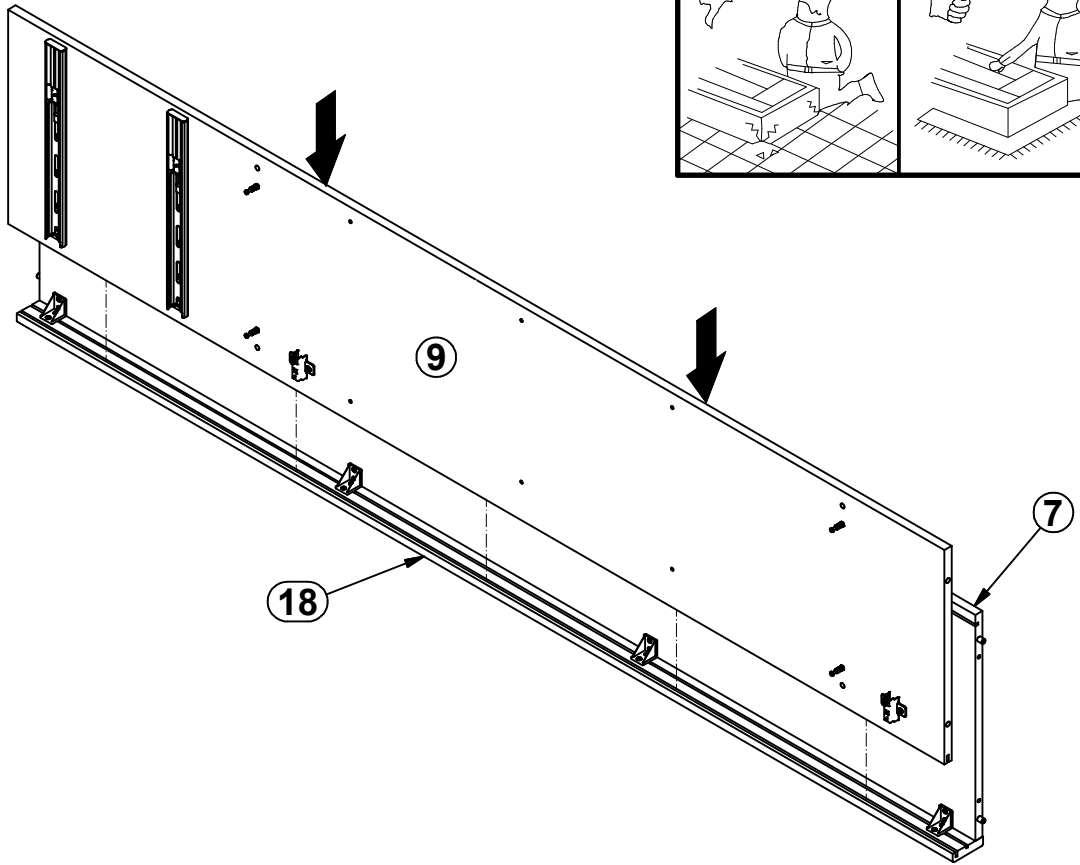
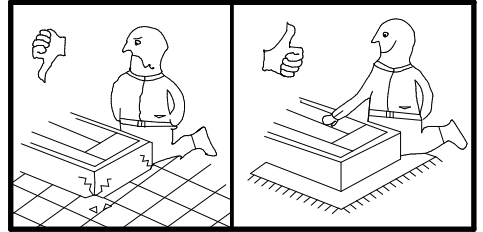
4x a132	2x a133	2x a160	6x b43	20x d1	8x d3	10x d37	4x e1	12x e2
8x e27	8x e47	30x f1	4x f9	5x f11	8x f25	4x k27	1x k134	14x l2
9x n108	8x o54	2x o43/8	1x o60/3	4x p1	46x p38	12x p51	9x p55	20x p140
16x r1	8x r15	20x r42	2x r51	4x w256/1	4x w256/2	1x z28/1	1x z28/2	1x z28/3
3x z28/4	4x s68	1x y1/1	1x z15			1x n26	1x p38	



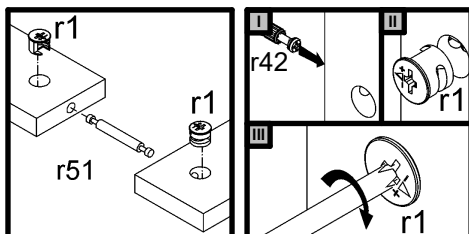
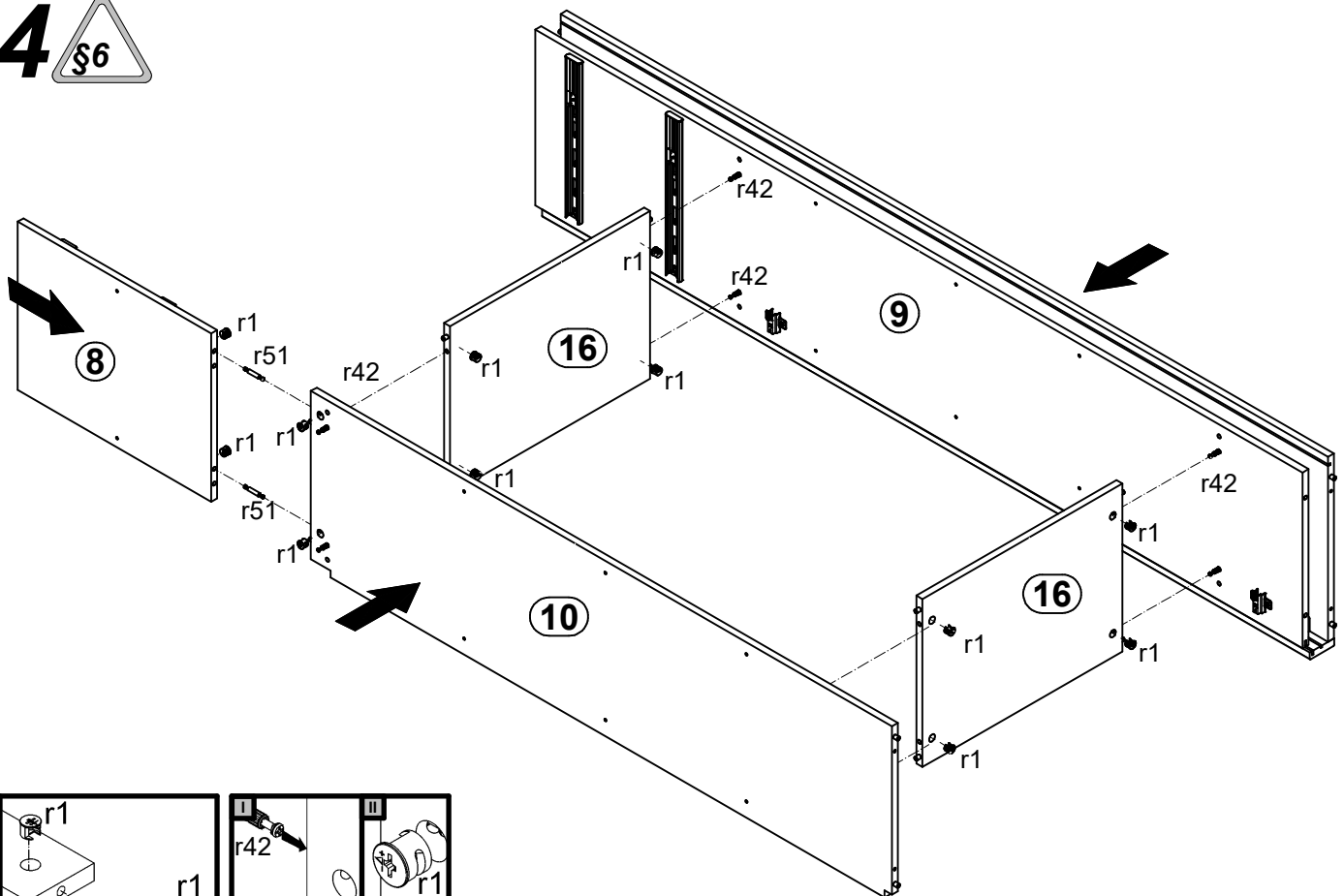
2



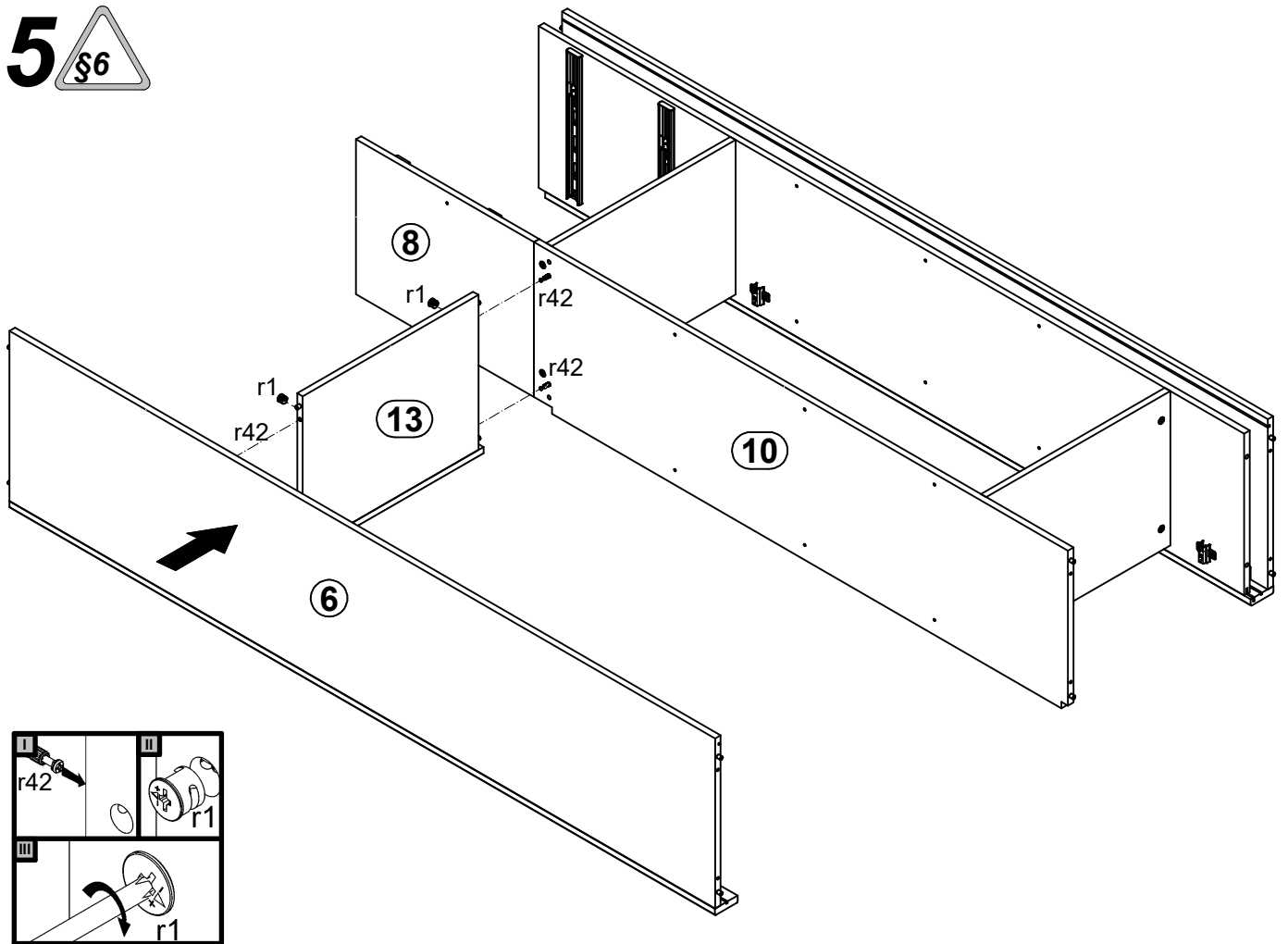
3 §6



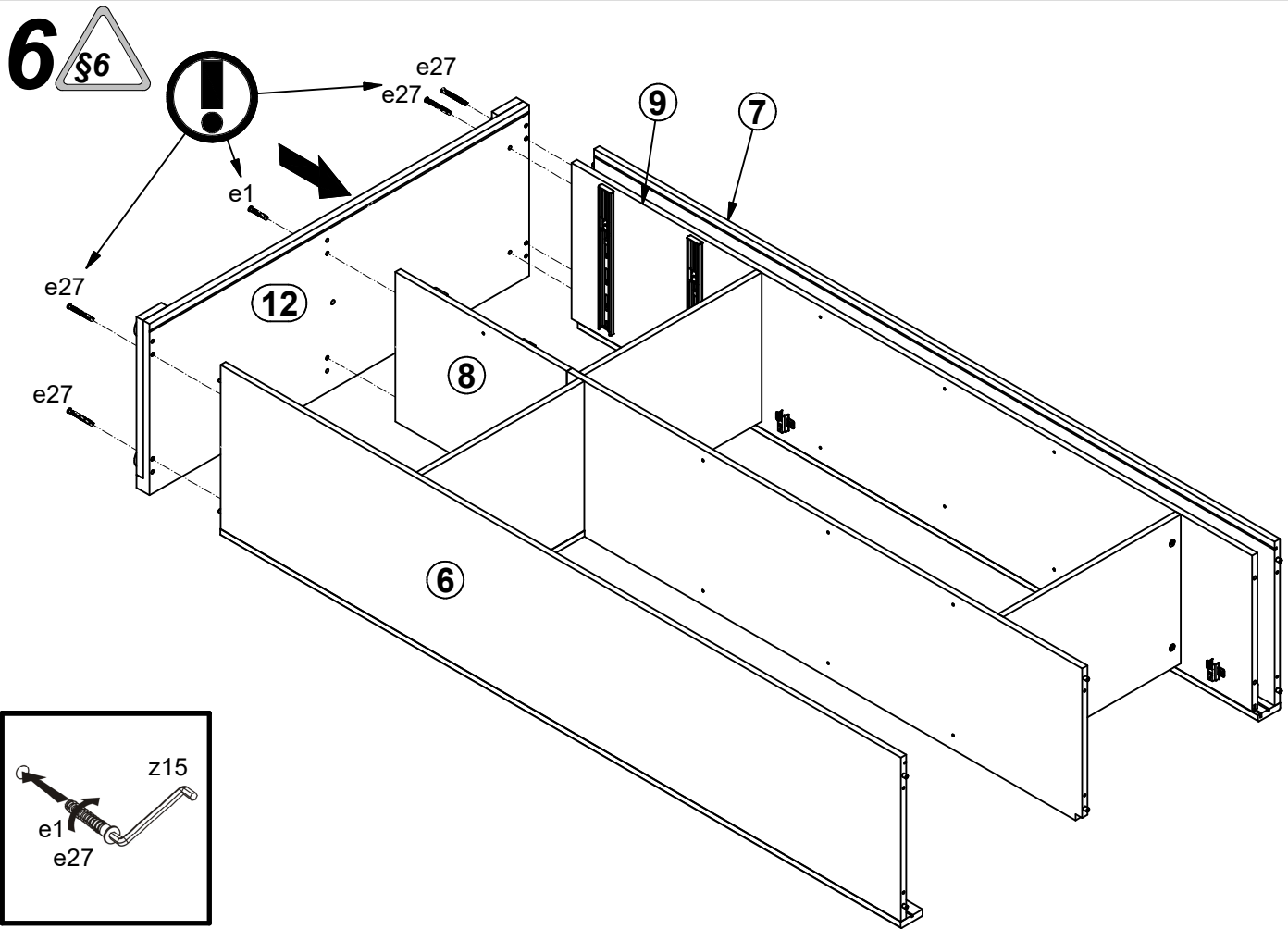
4 §6

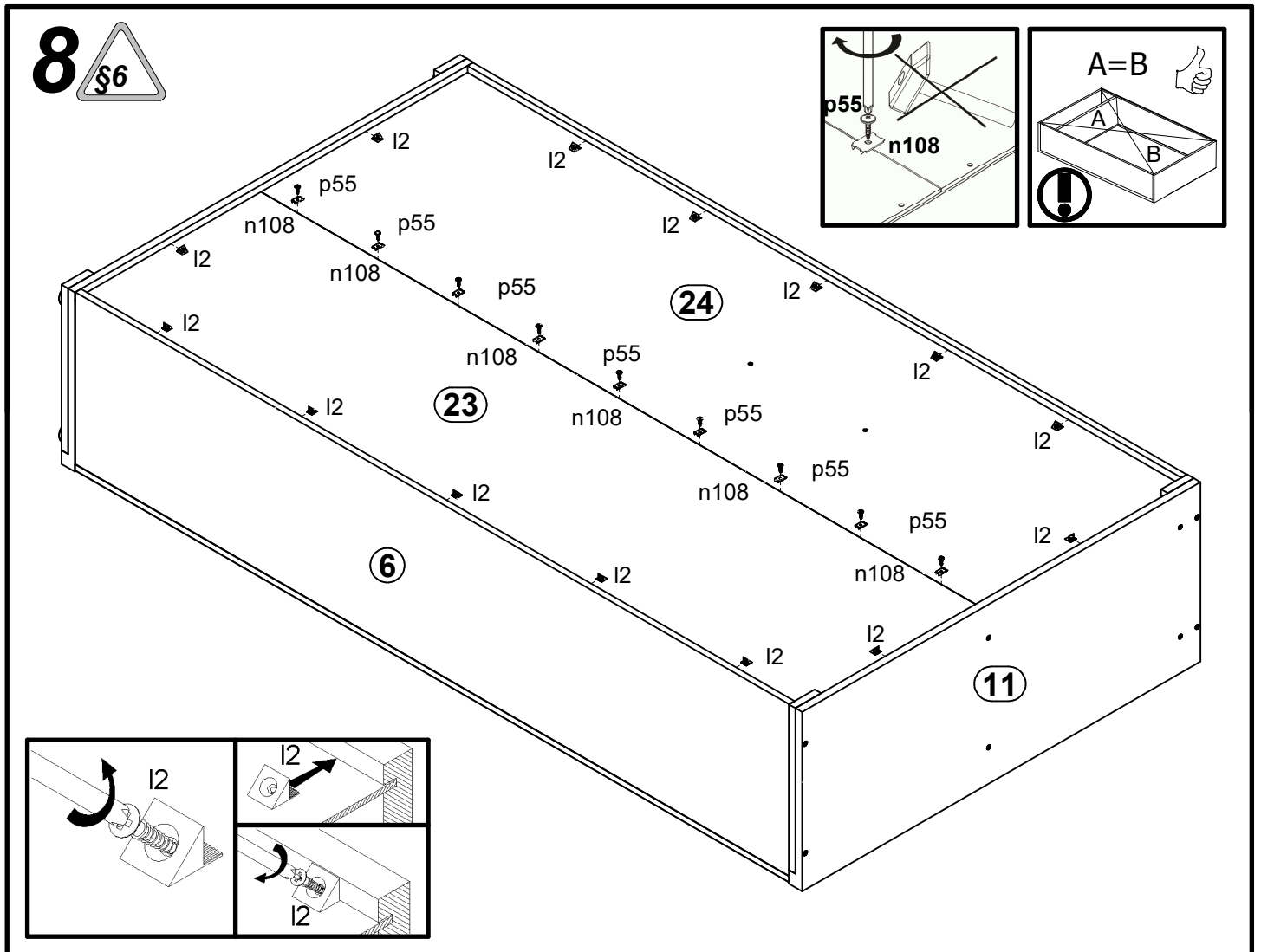
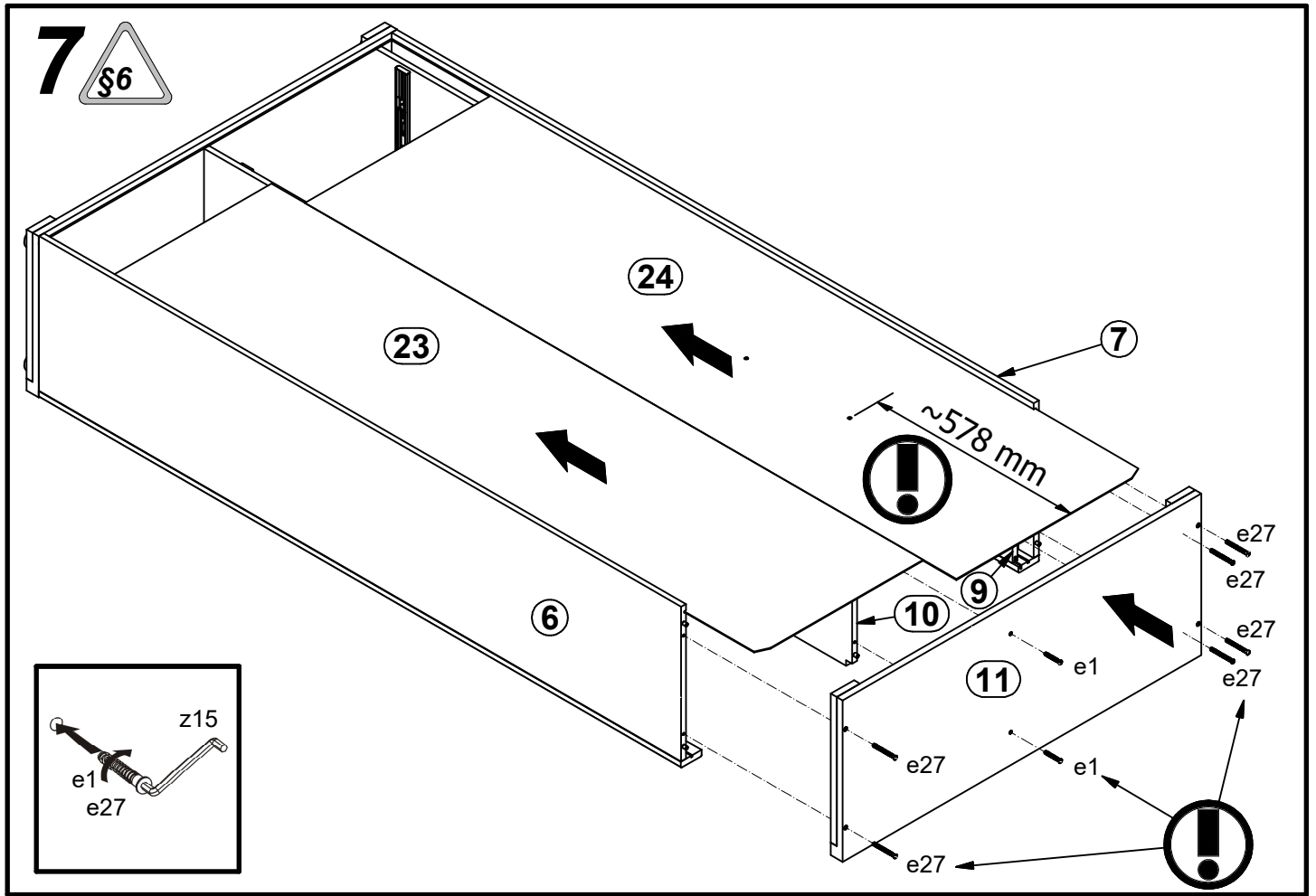


5



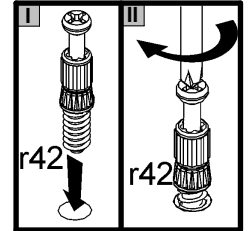
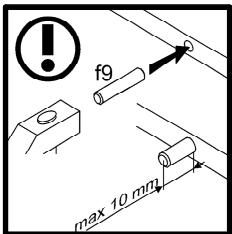
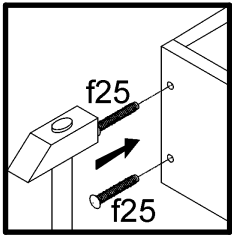
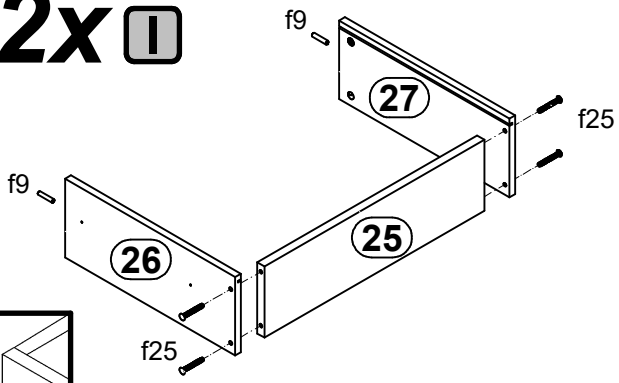
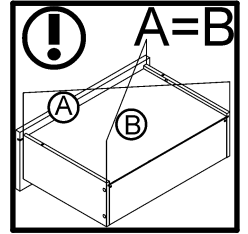
6



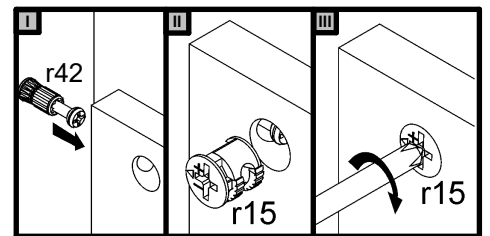
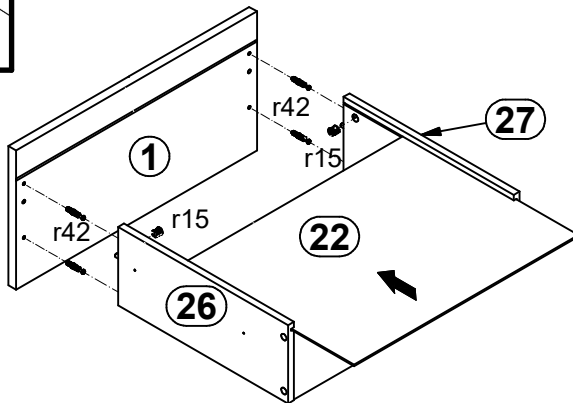
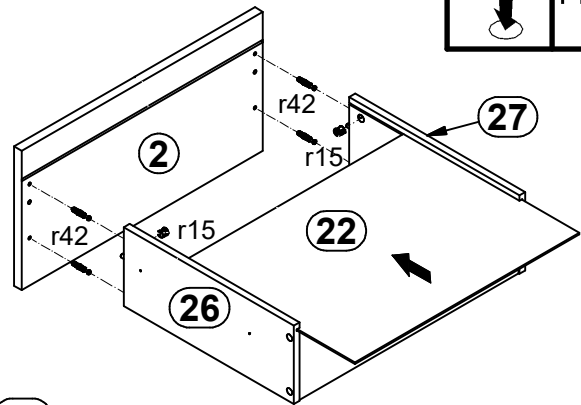


9 §6

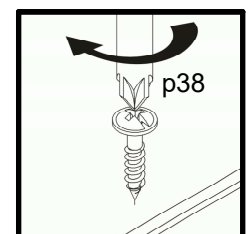
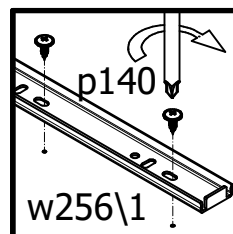
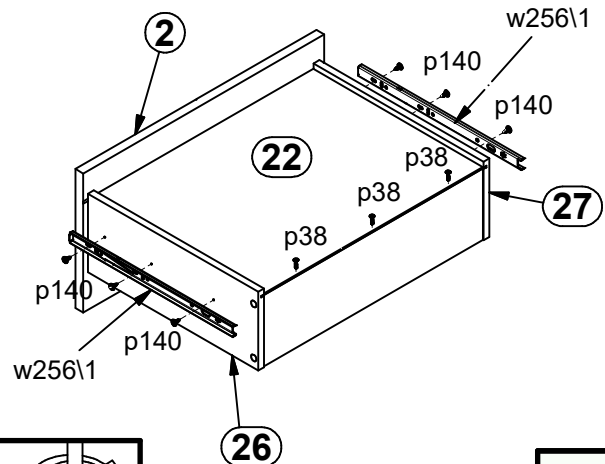
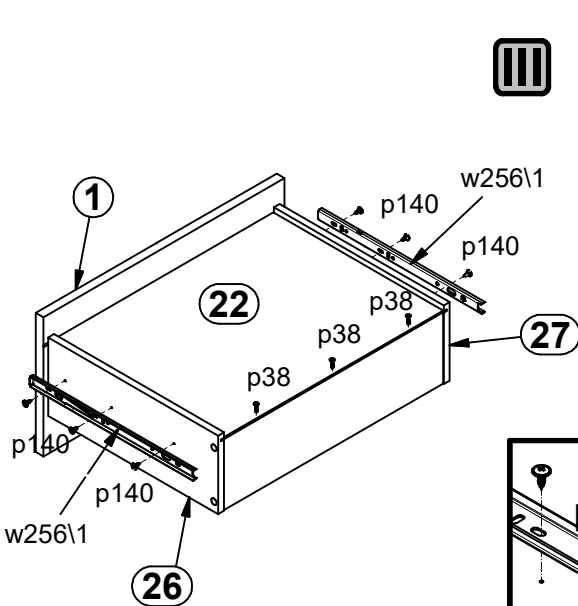
2x I



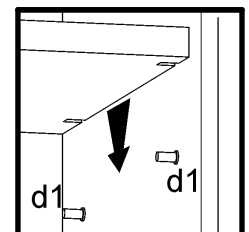
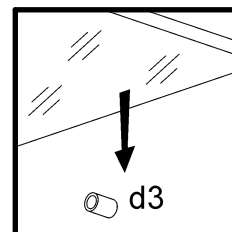
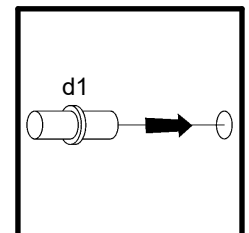
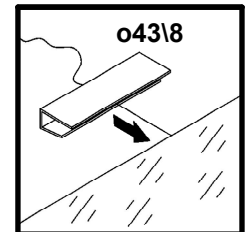
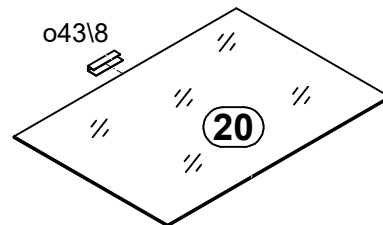
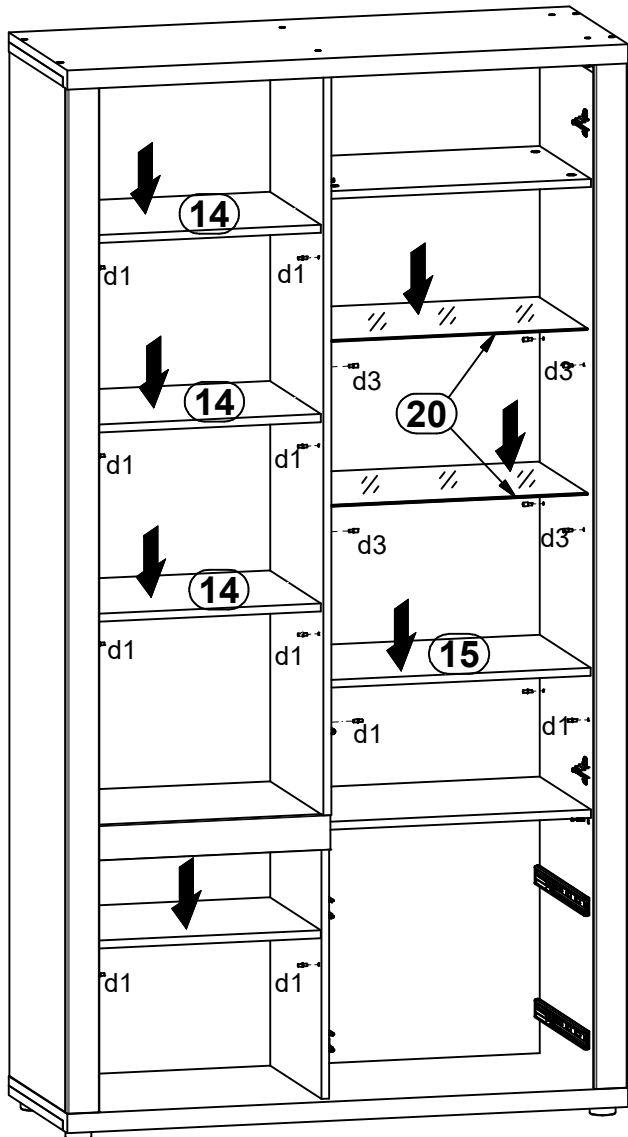
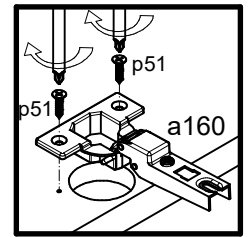
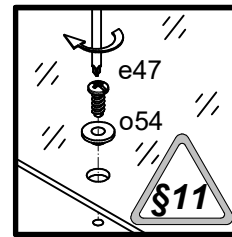
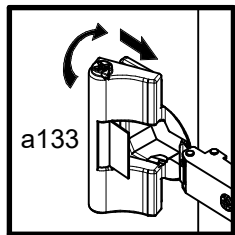
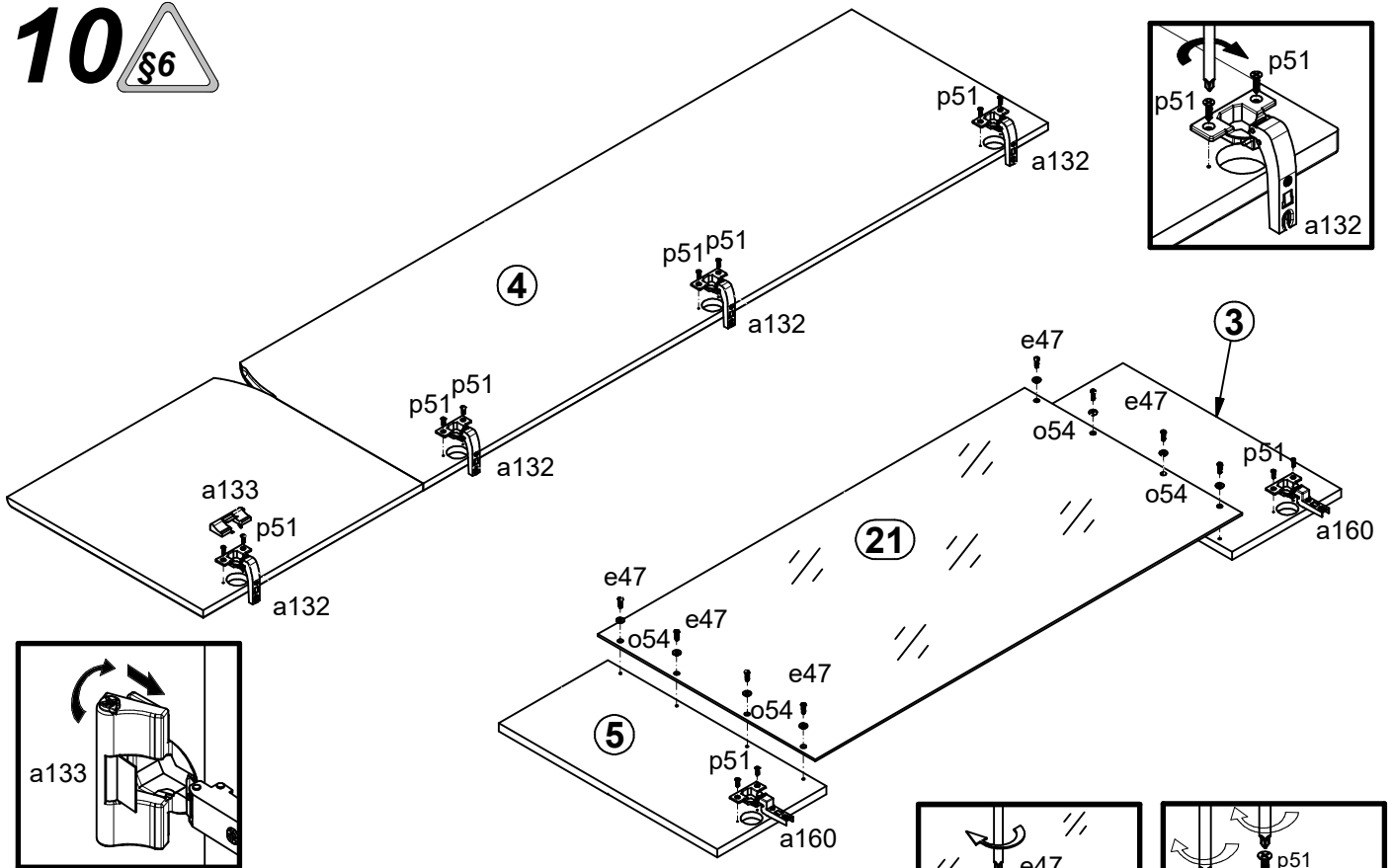
II



III



10



11

