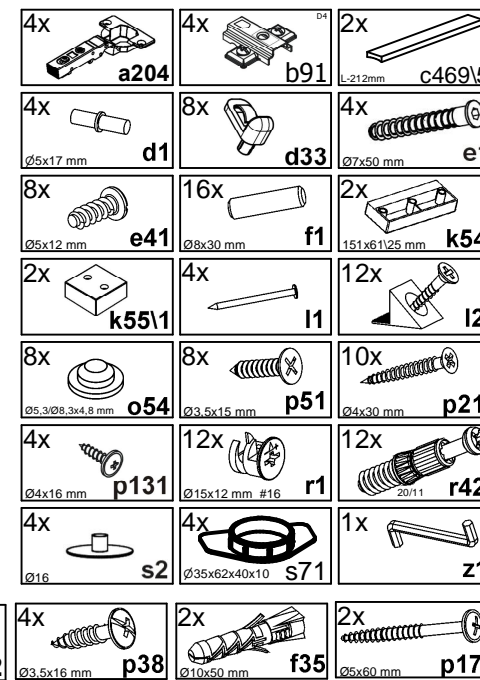
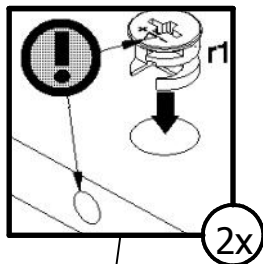
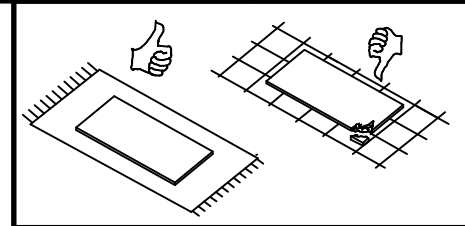
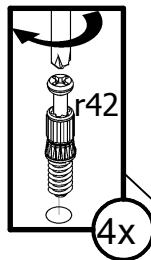


A	B	C1	C2	C3	D
1	S513-0005	716	596	16	1/2
2	S513-1024	1945	430	15	2/2
3	S513-1025	1945	430	15	2/2
4	S513-2013	600	430	15	2/2
5	S513-2014	600	430	15	2/2
6	S513-3019	569	410	15	1/2
7	S513-3020	568	400	15	2/2
8	S513-3021	562	400	5	1/2
9	S513-5552	949	596	4	1/2
10	S513-7011	596	180	16	1/2
11	S513-7012	596	180	16	1/2
12	S513-9303	1955	579	2,5	2/2

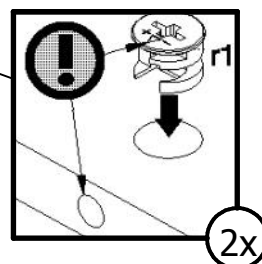
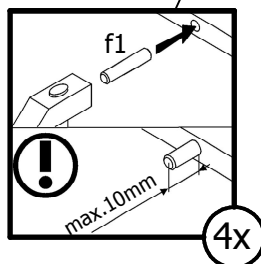
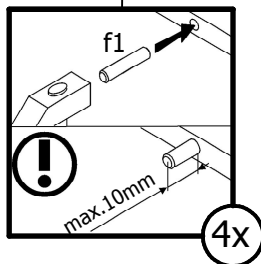
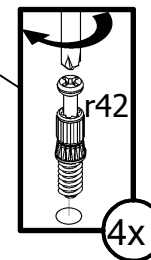


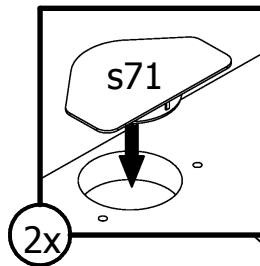
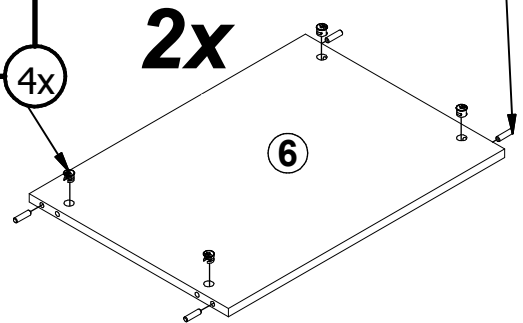
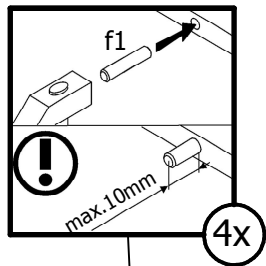
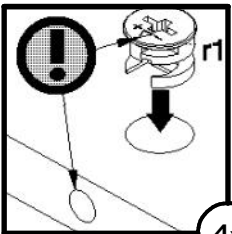
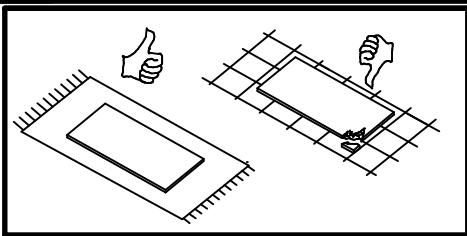
1



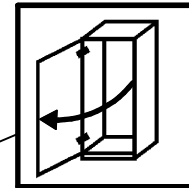
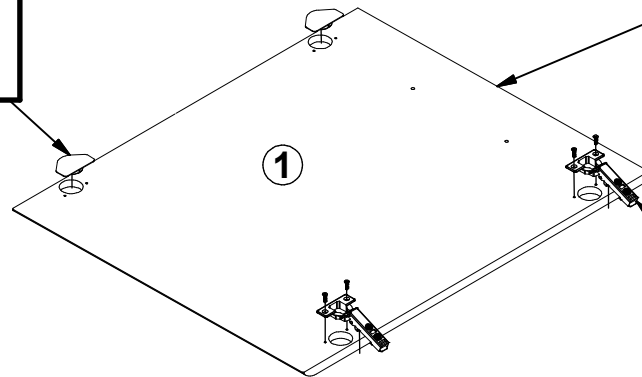
3

2

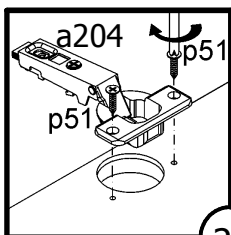
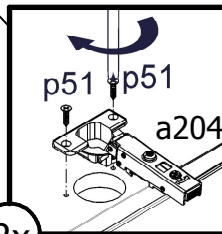




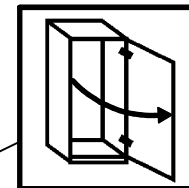
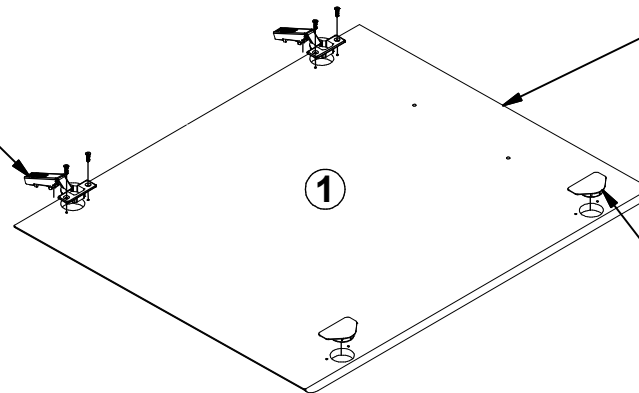
2x



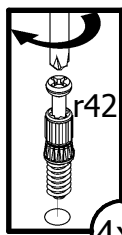
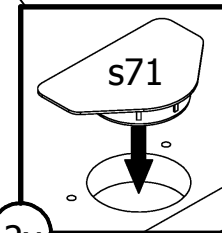
2x



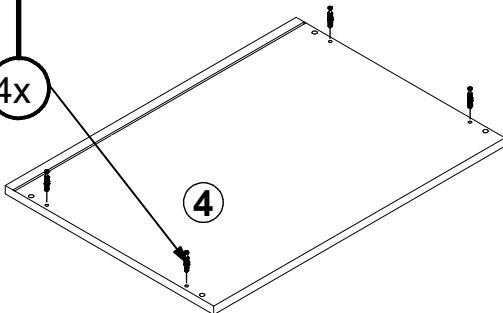
2x



2x

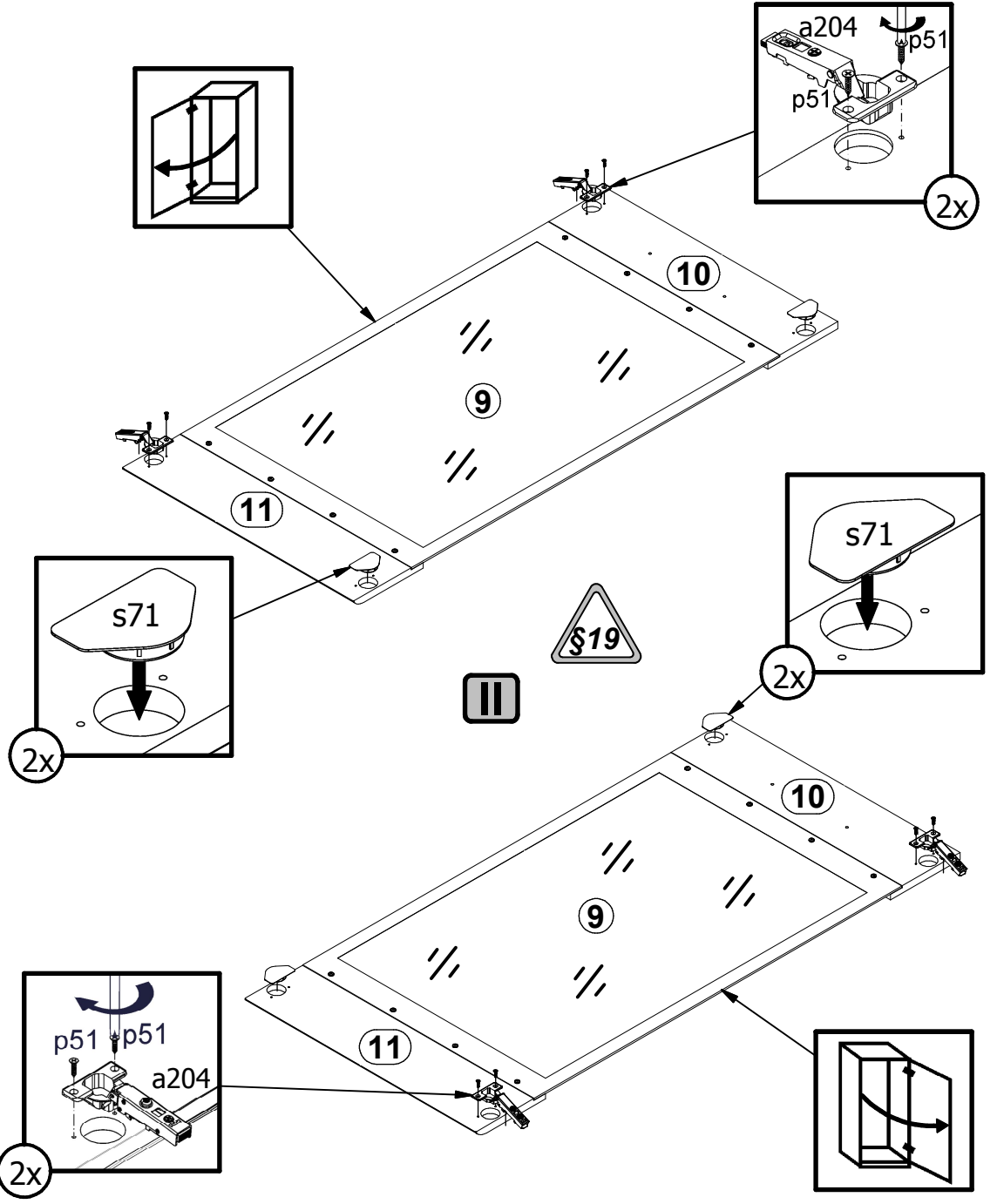
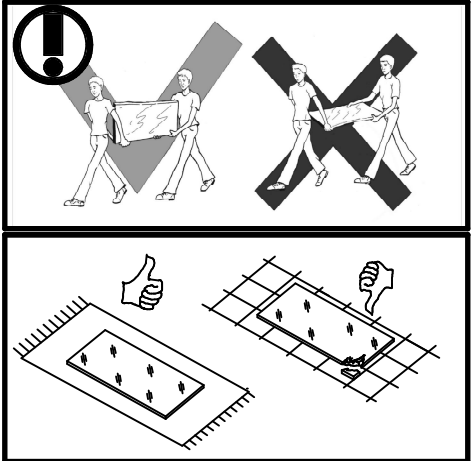
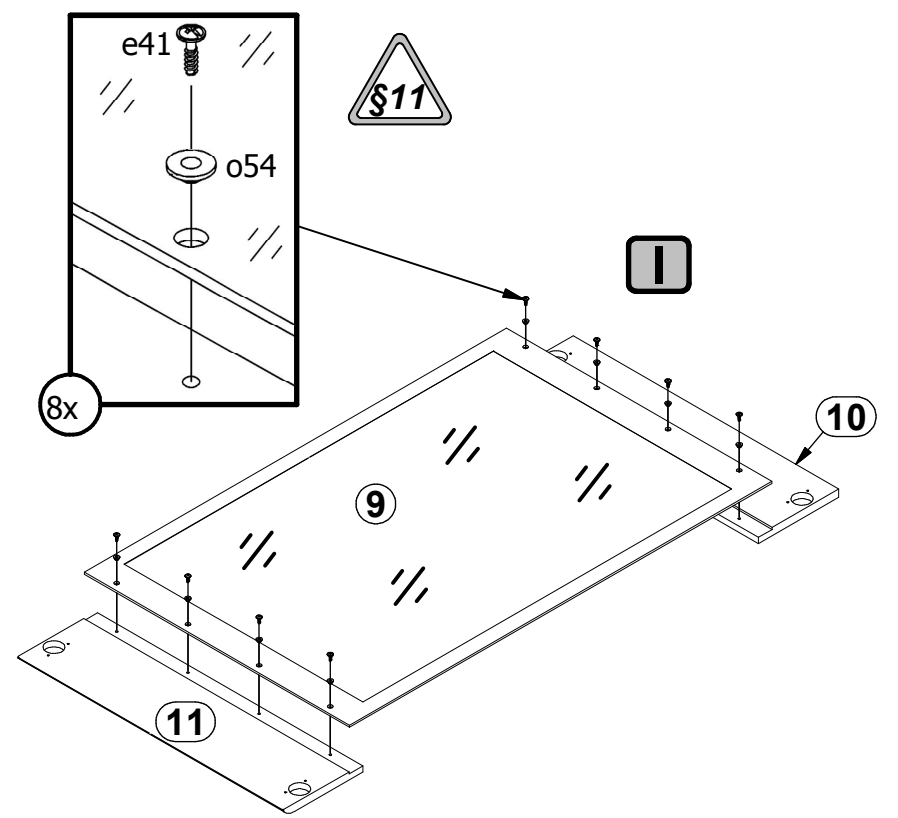


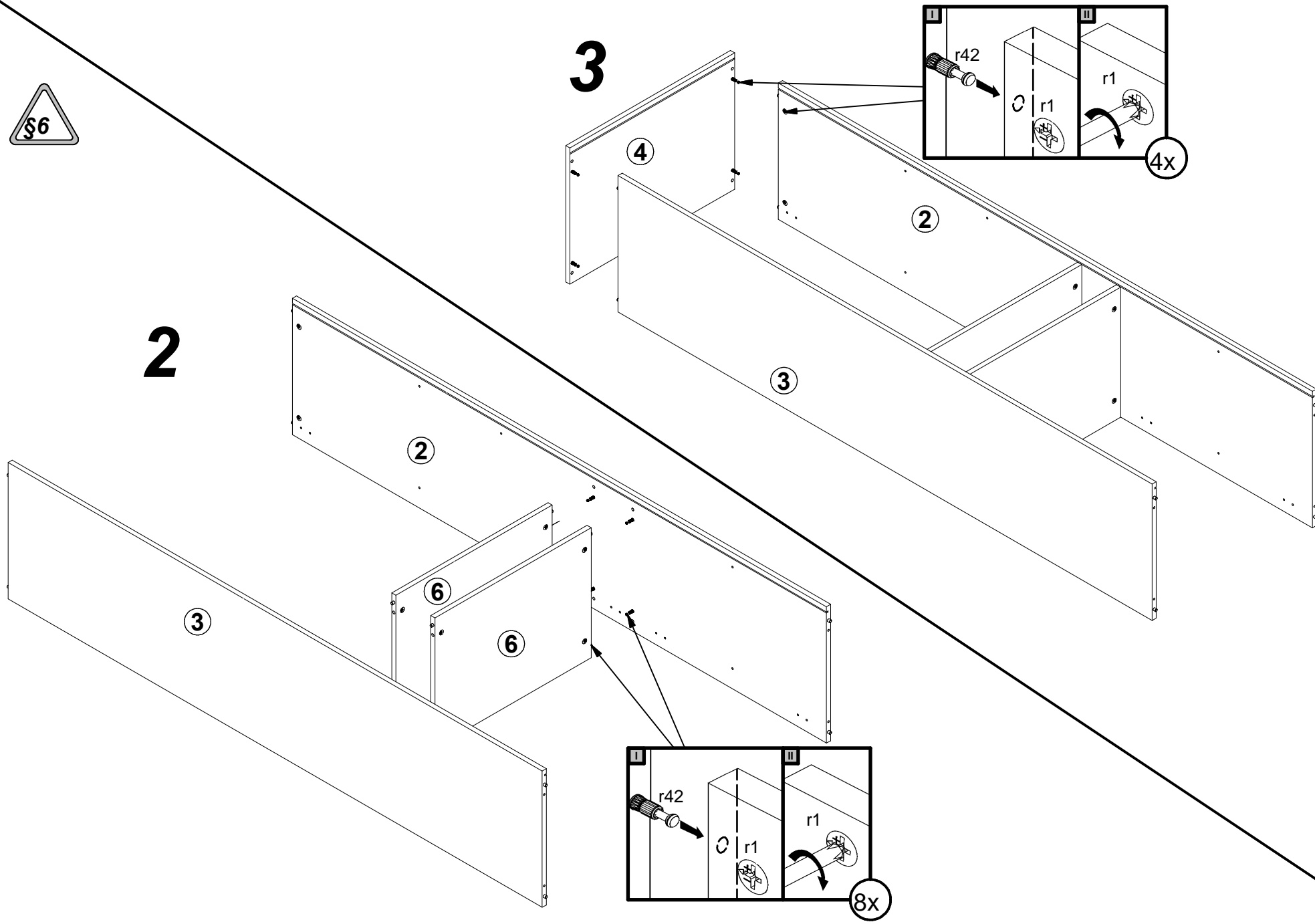
4x

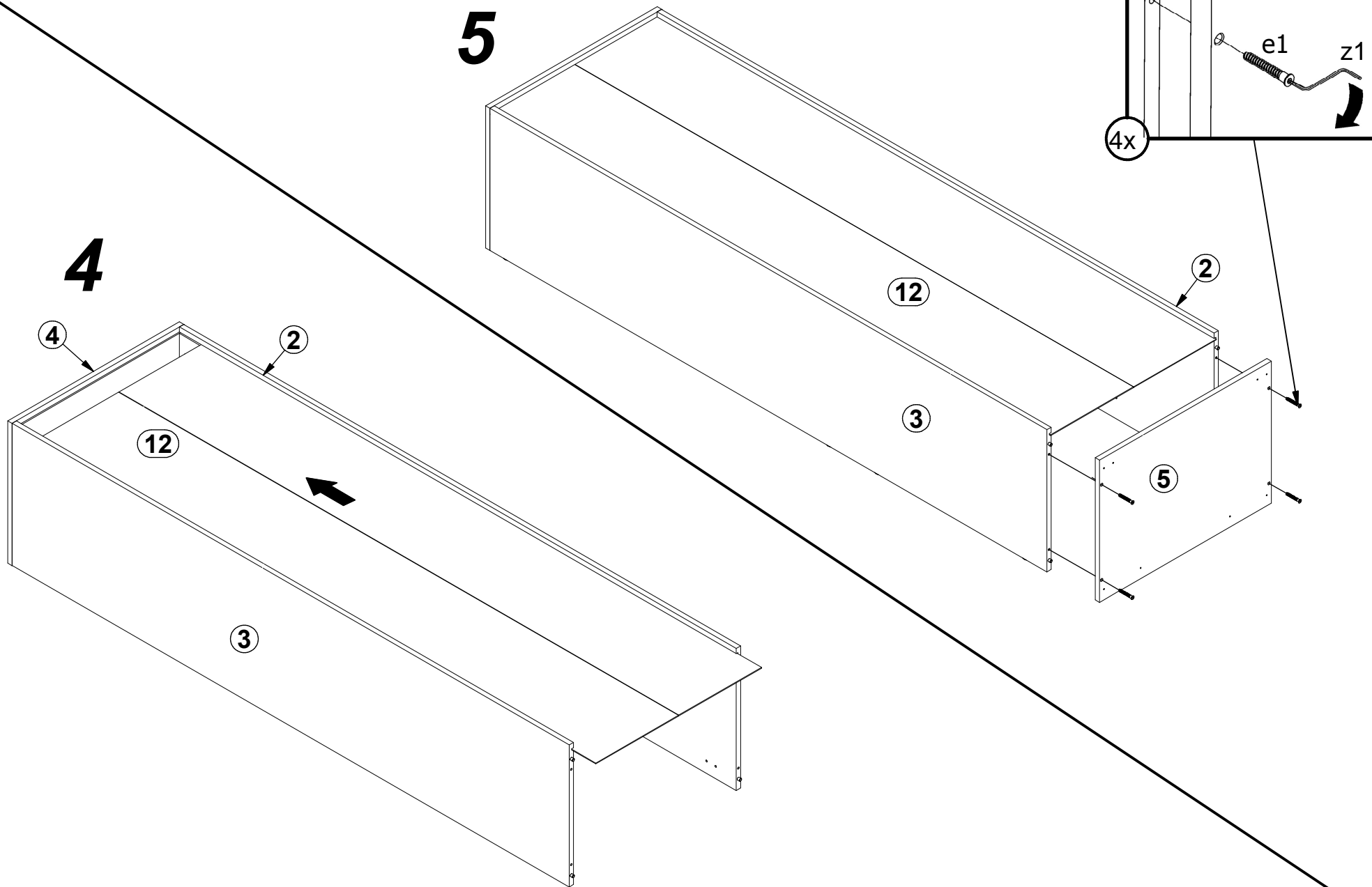


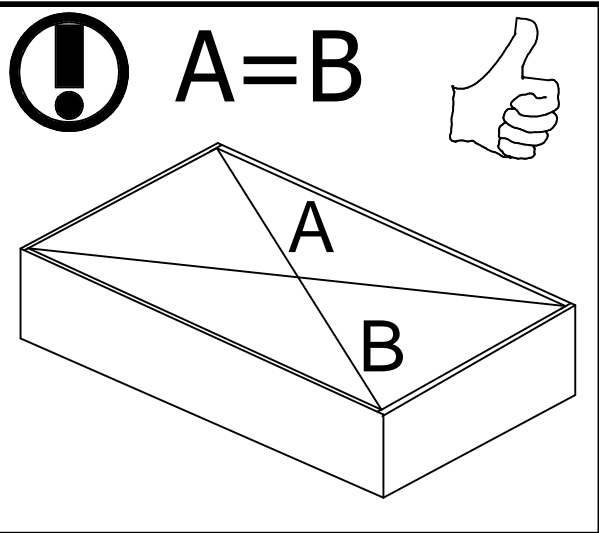
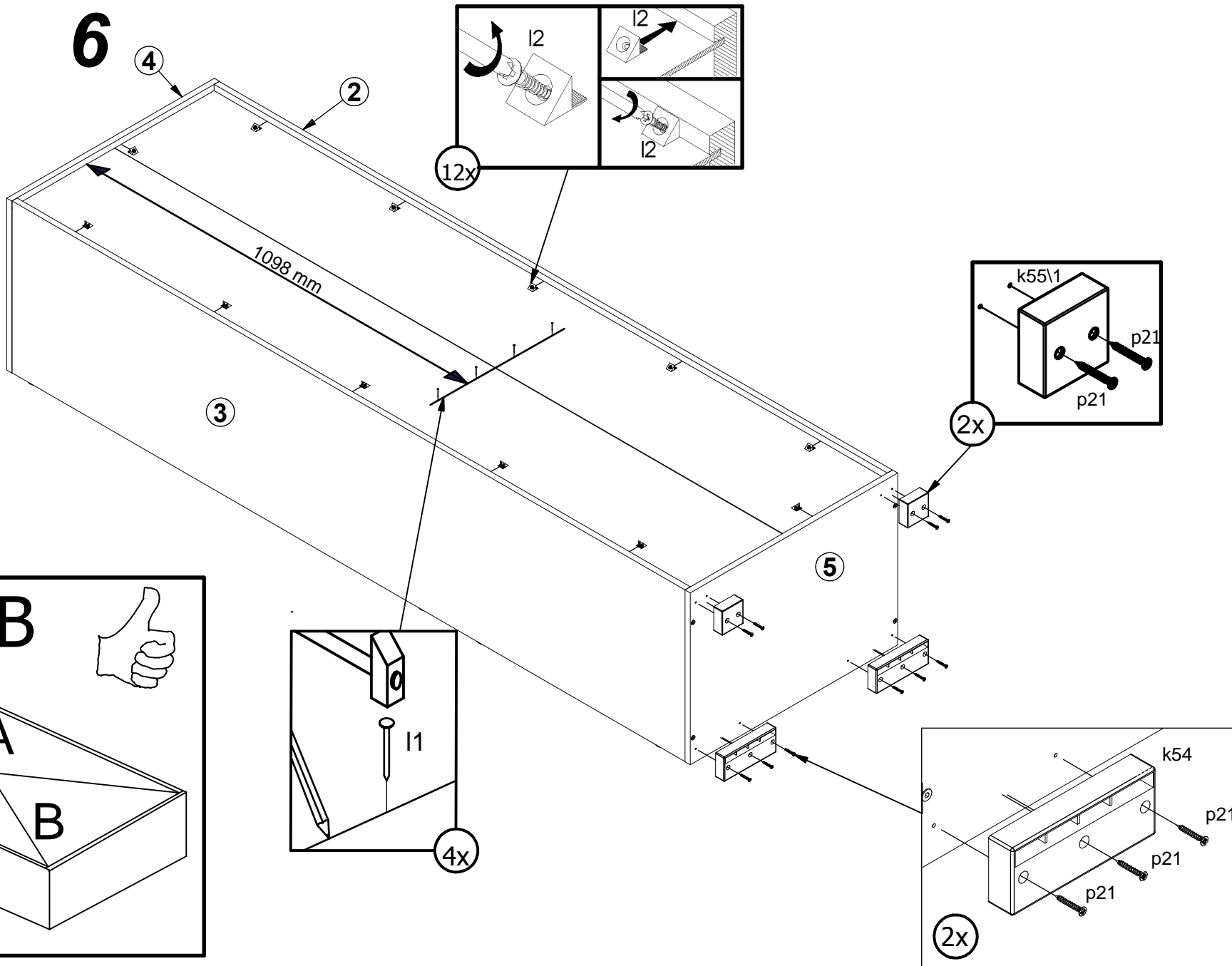
A

# S513-REG1W1D/20/6



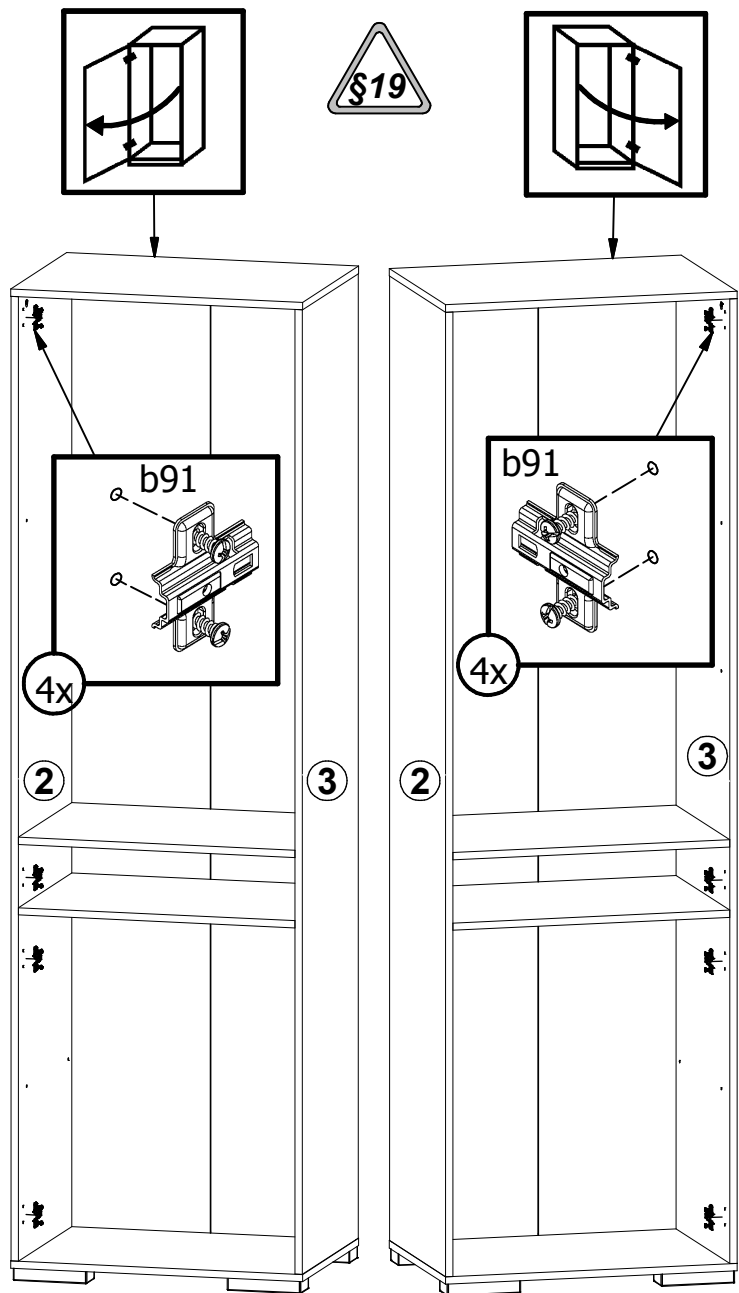




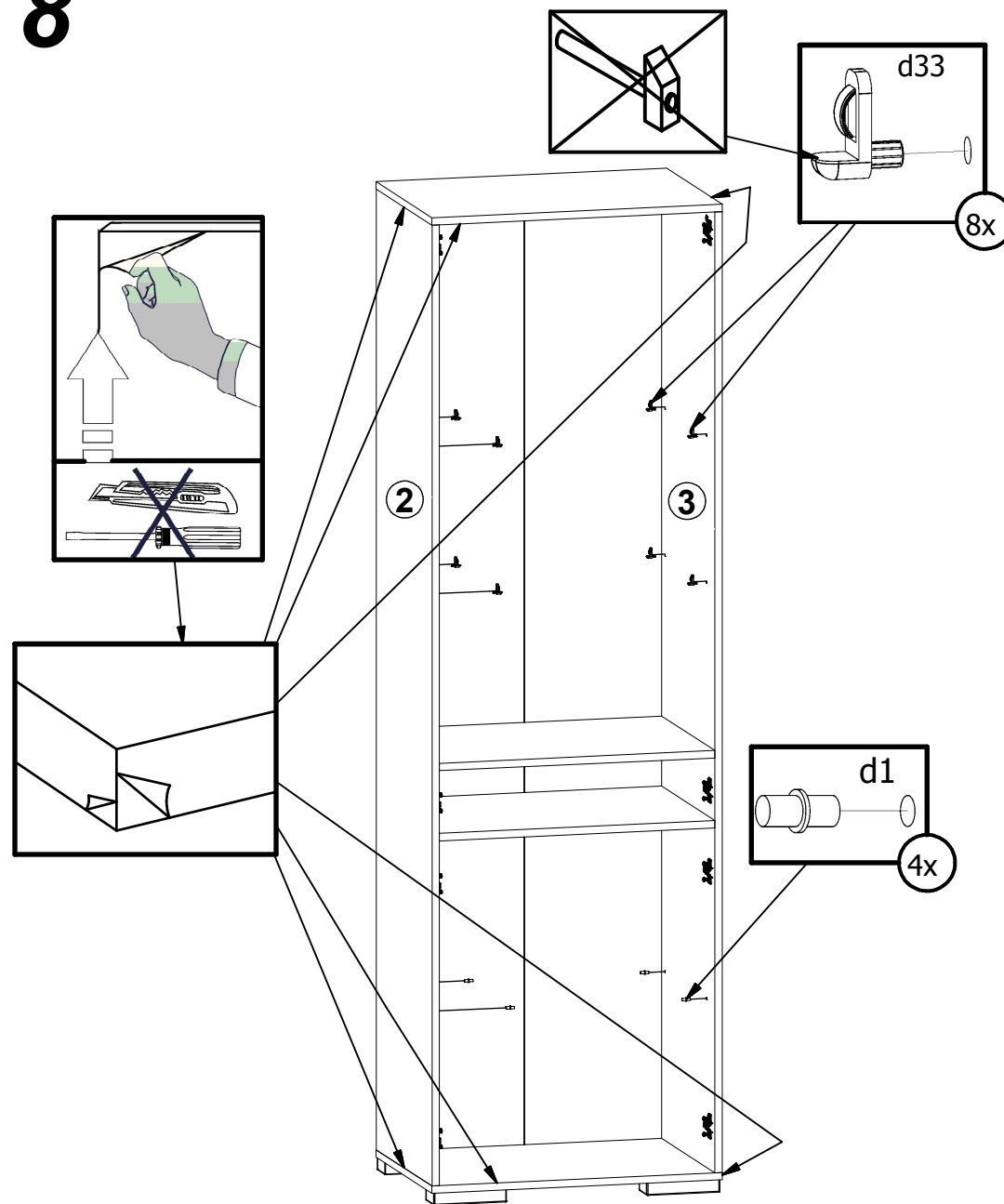




7



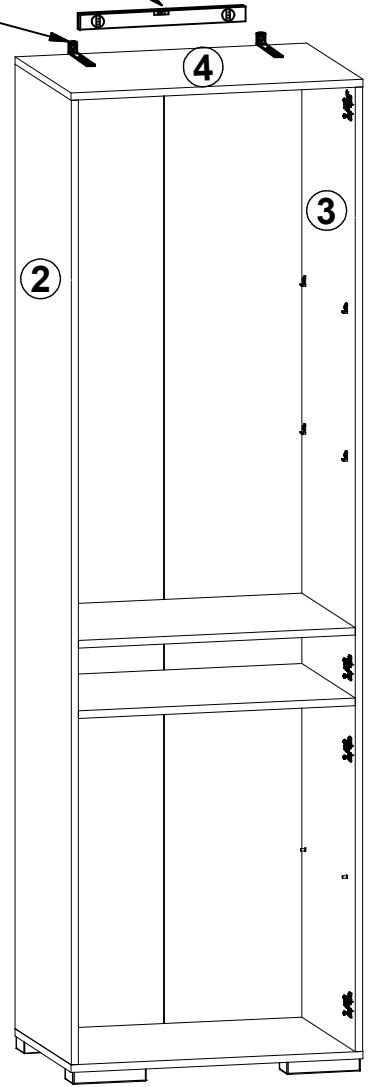
8



**9**

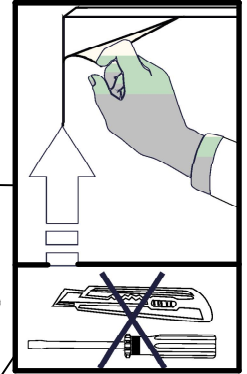
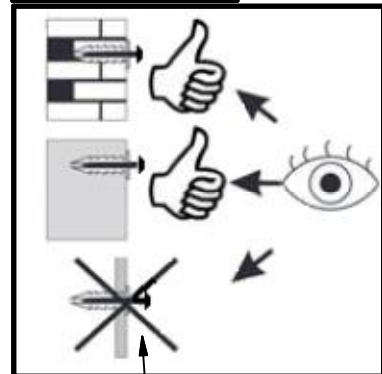
$\phi$  10mm  
 2x n14\2  
 4x p38  
 2x f35  
 2x p17

f35  
 p38  
 n14\2  
 f35  
 p17  
 n14\2



**10**

d33  
 8  
 8  
 d1  
 d1  
 b91  
 a204  
 b91  
 a204  
 4x  
 7  
 11  
 9  
 10  
 1



# 11

