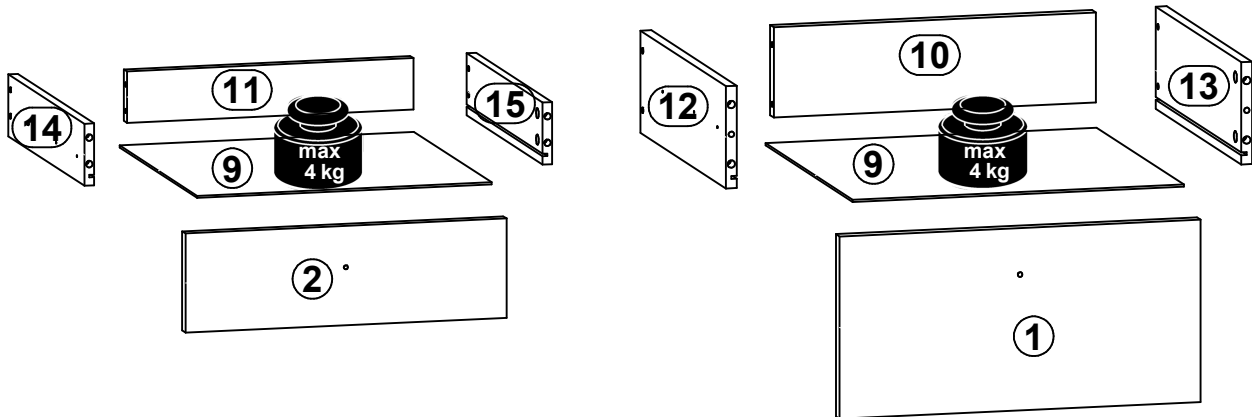
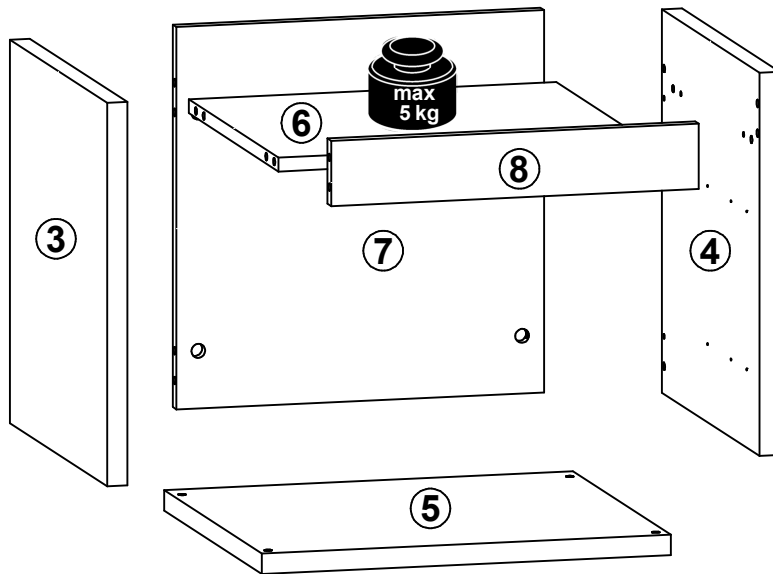
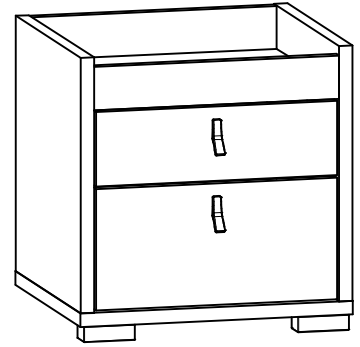
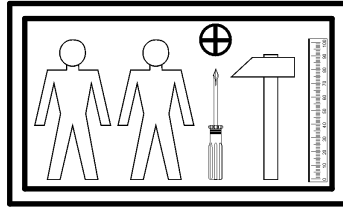
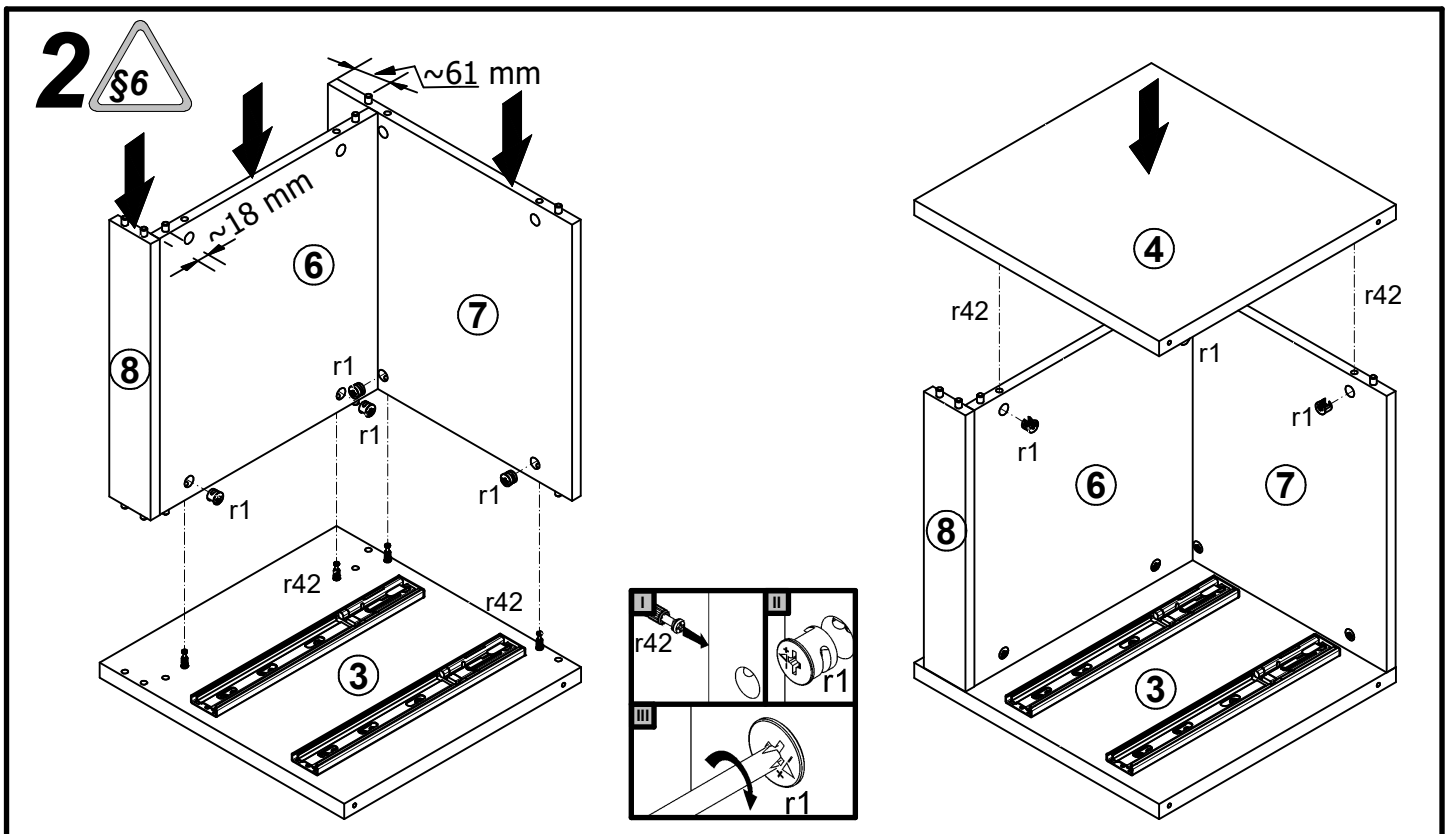
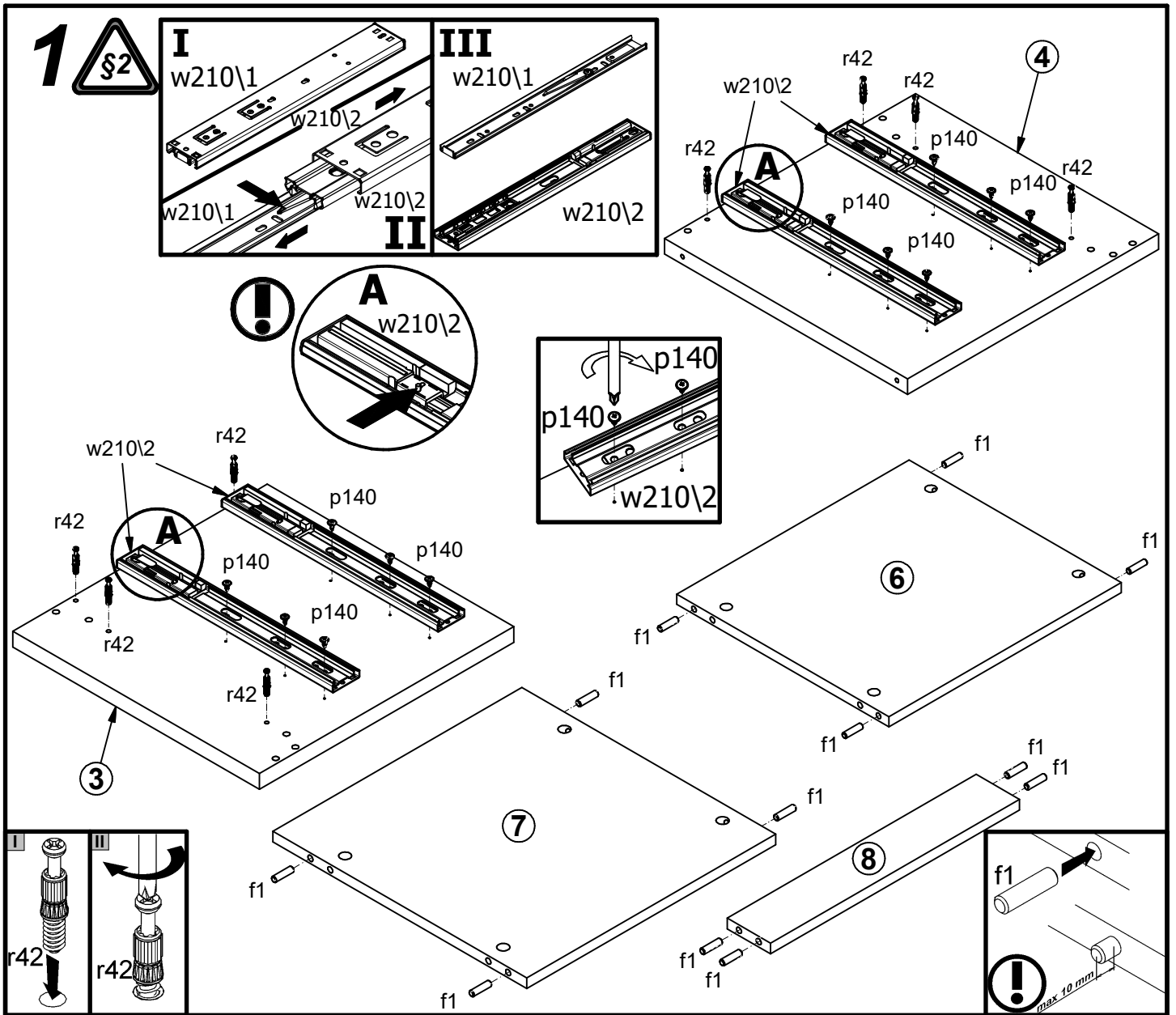
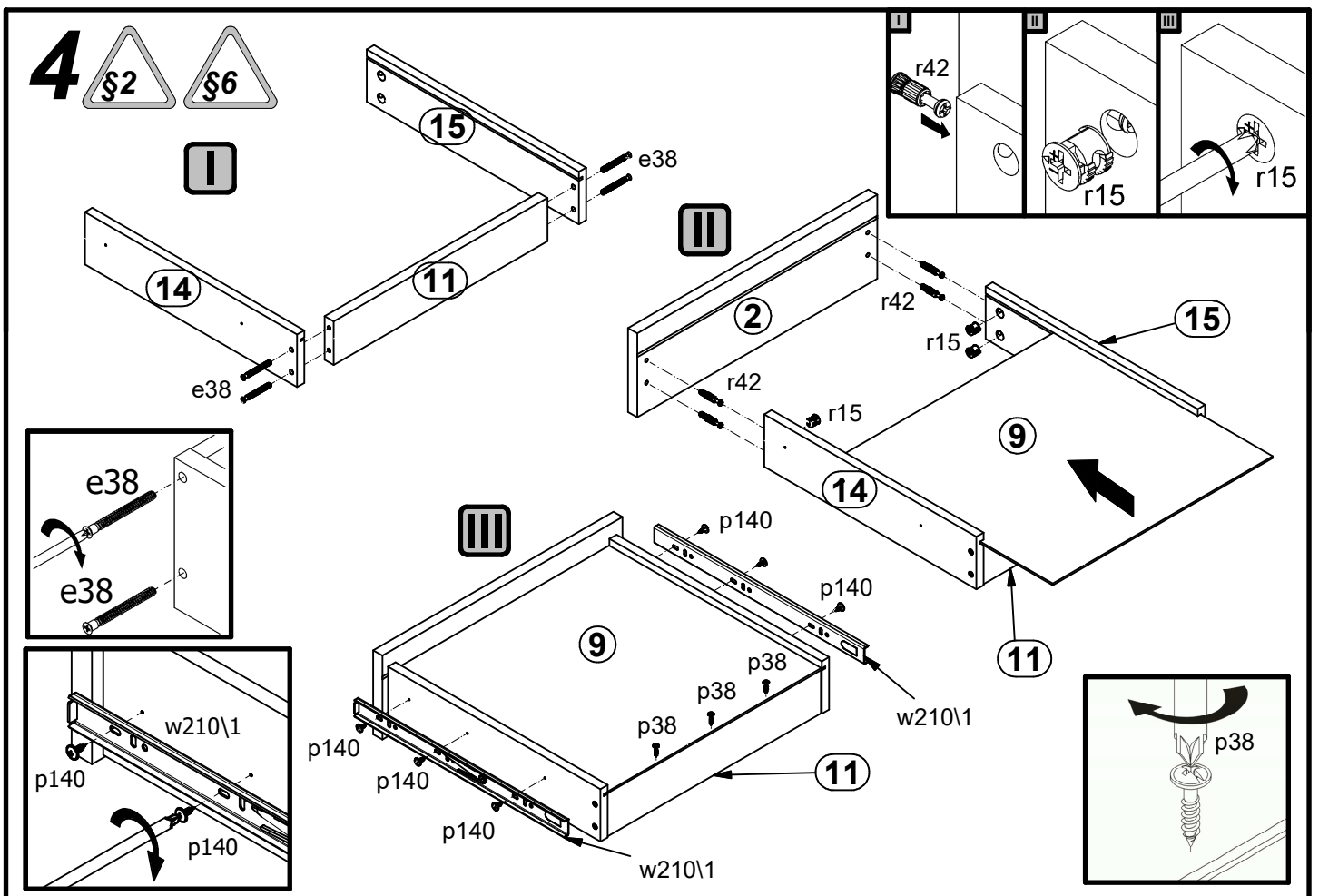
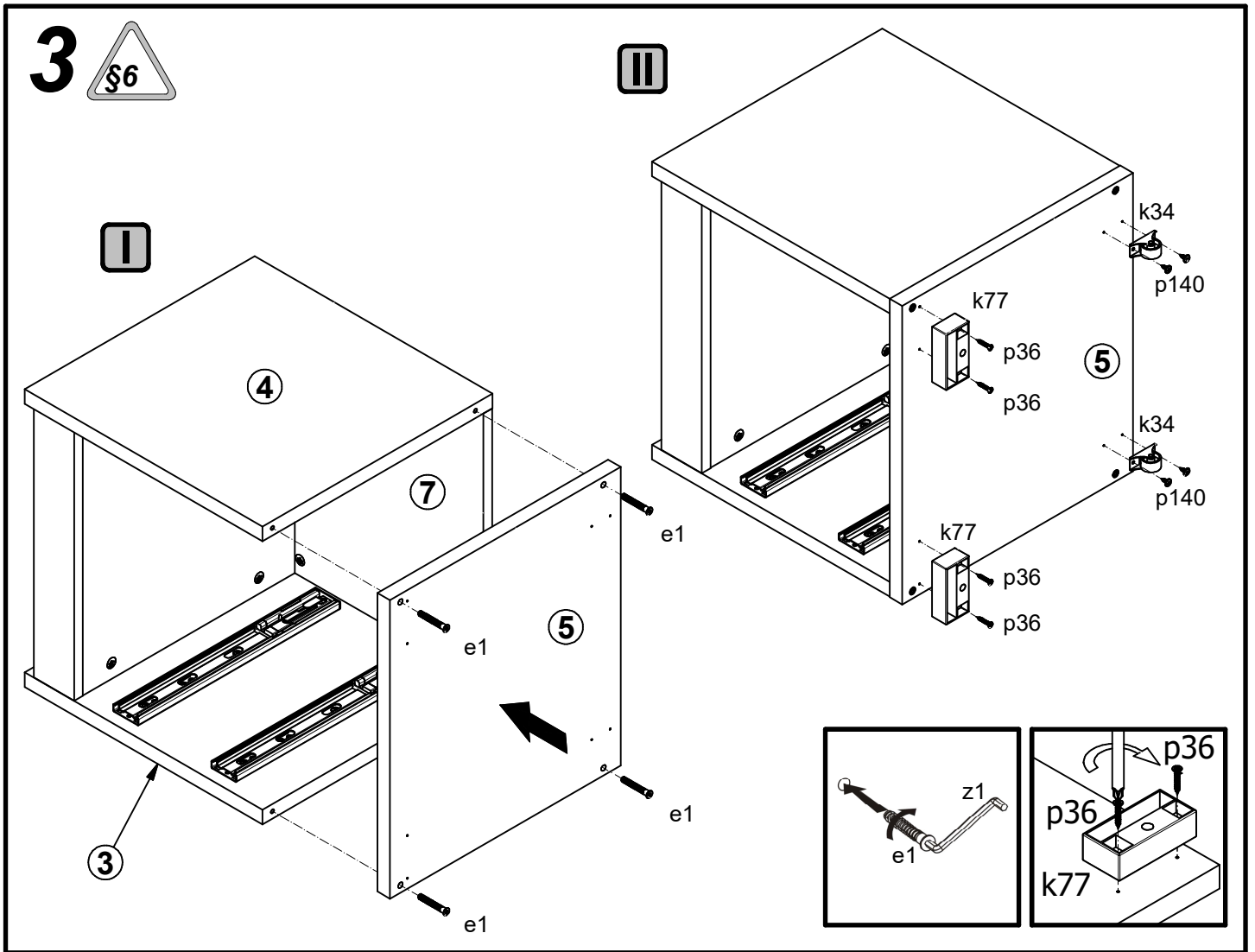


A	B	C	D	
1	S462-0022	396	196	1/1
2	S462-0023	396	120	1/1
3	S462-1031	412	399	1/1
4	S462-1032	412	399	1/1
5	S462-2017	448	400	1/1
6	S462-3018	403	368	1/1
7	S462-4012	403	411	1/1
8	S462-4013	403	70	1/1
9	S462-9013	363	357	1/1
10	S462-5010	353	97	1/1
11	S462-5009	353	62	1/1
12	ZK4-523	350	110	1/1
13	ZK4-524	350	110	1/1
14	ZK4-533	350	75	1/1
15	ZK4-534	350	75	1/1

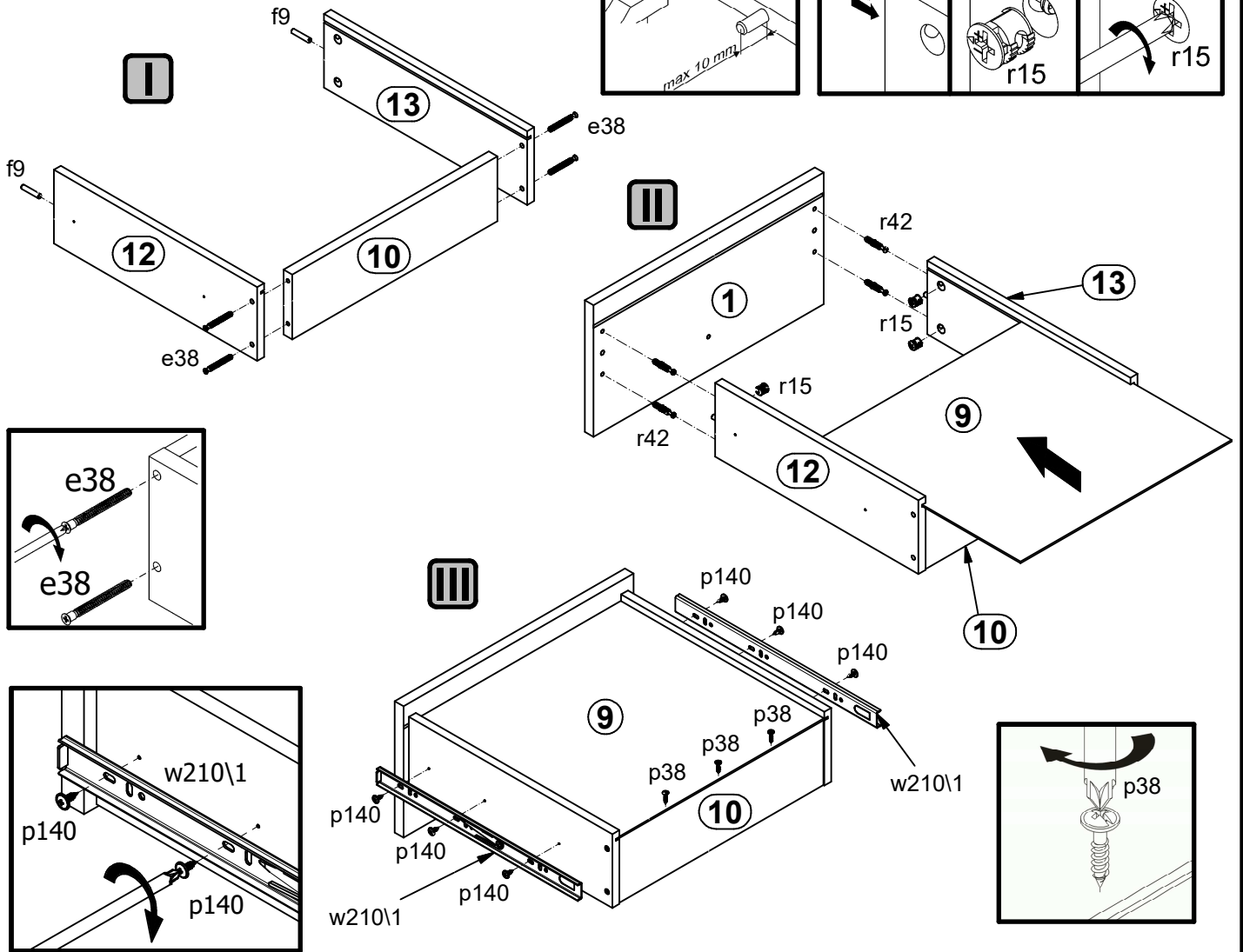
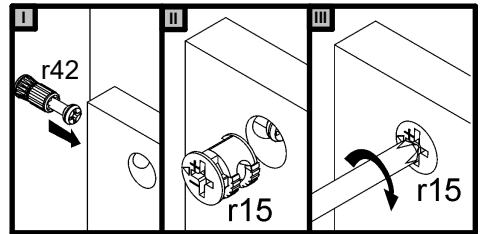
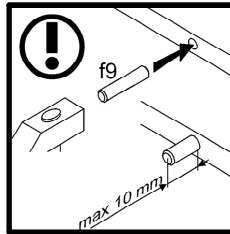


2x c512	4x Ø7x50 mm e1	8x Ø6x45 mm e38	12x Ø8x30 mm f1	2x Ø6x30 mm f9	2x M4x20 mm j1	2x Ø25 mm k34	2x 84x40/25 mm k77	4x Ø4x25 mm p36
6x Ø3,5x16 mm p38	28x Ø3,5x12 mm p140	8x Ø15x12 mm #16 r1	8x Ø12x10,5 mm #12 r15	16x 20/11 r42	4x L-350 mm w210\1	4x L-350 mm w210\2	1x 4 mm z1	





5



6

