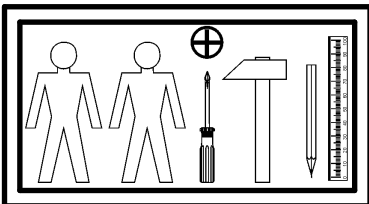
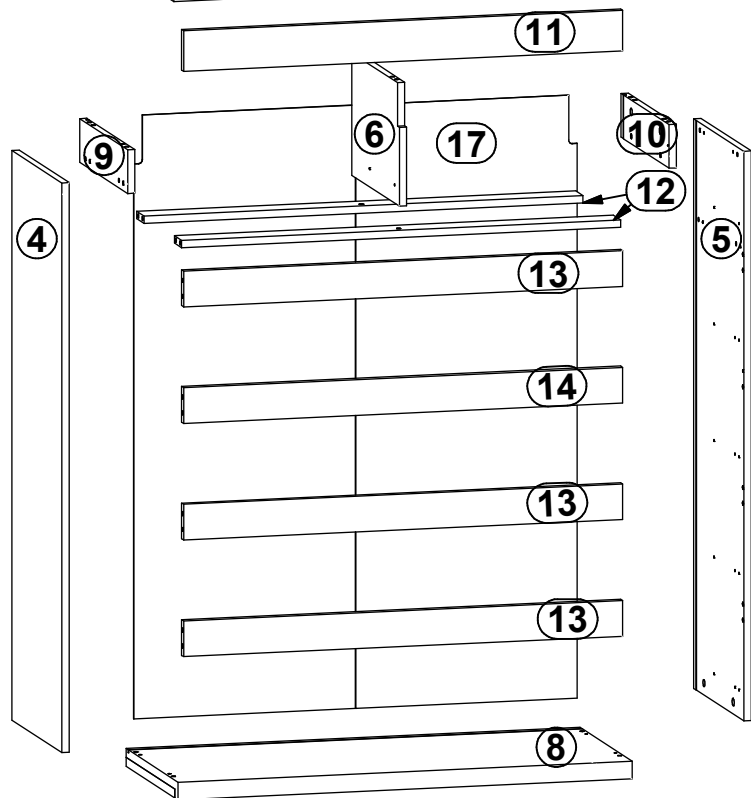
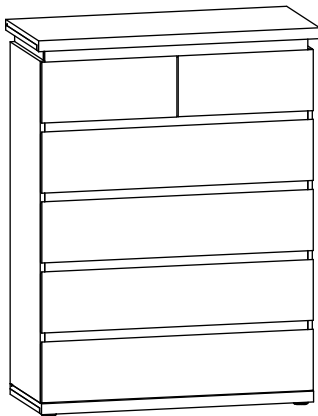
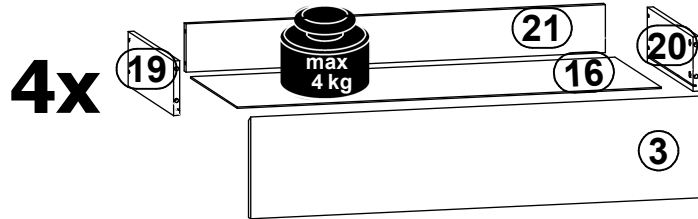
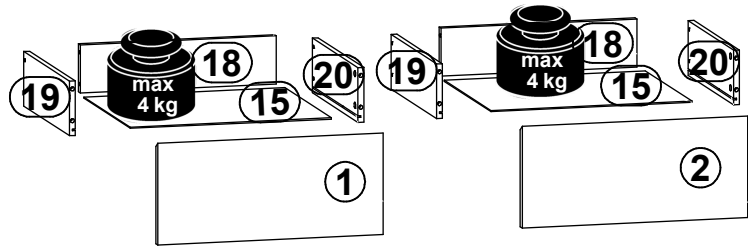
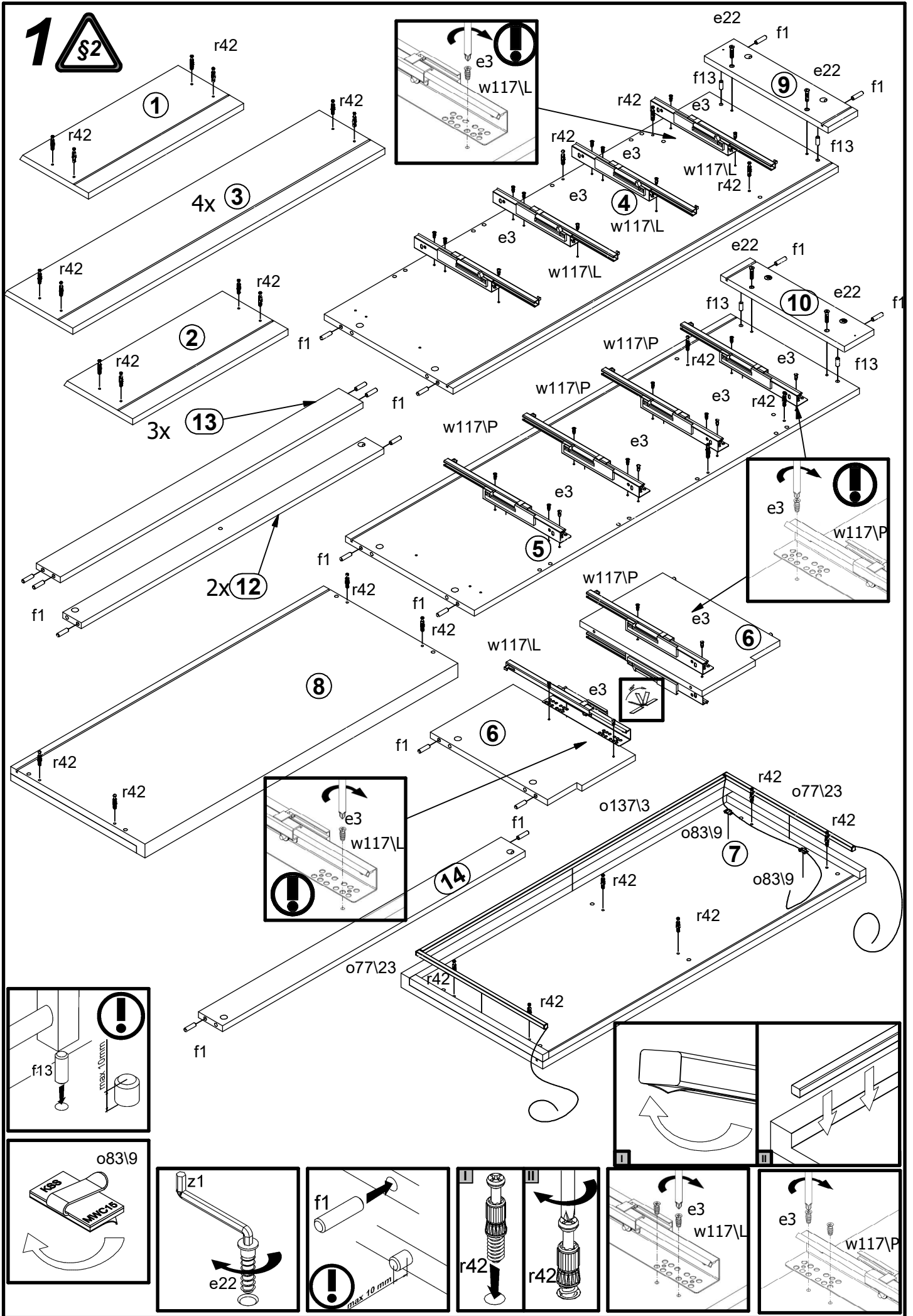
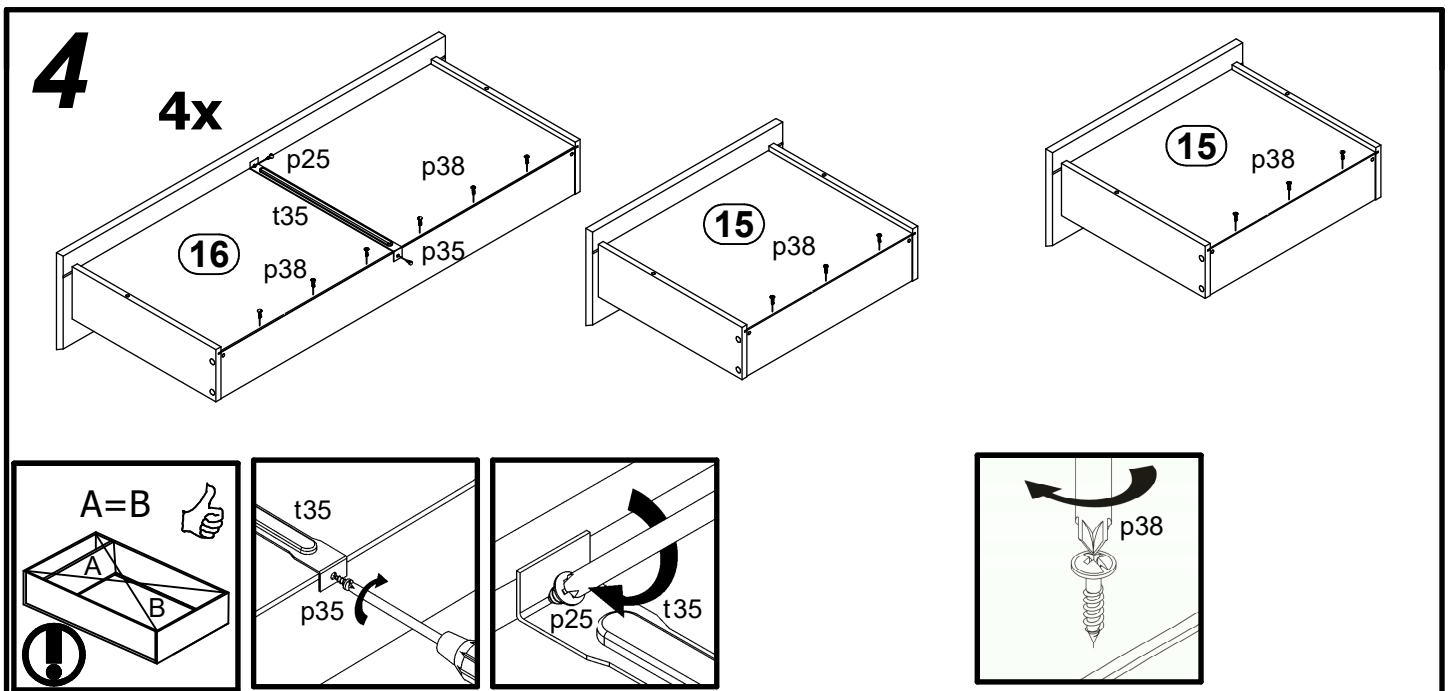
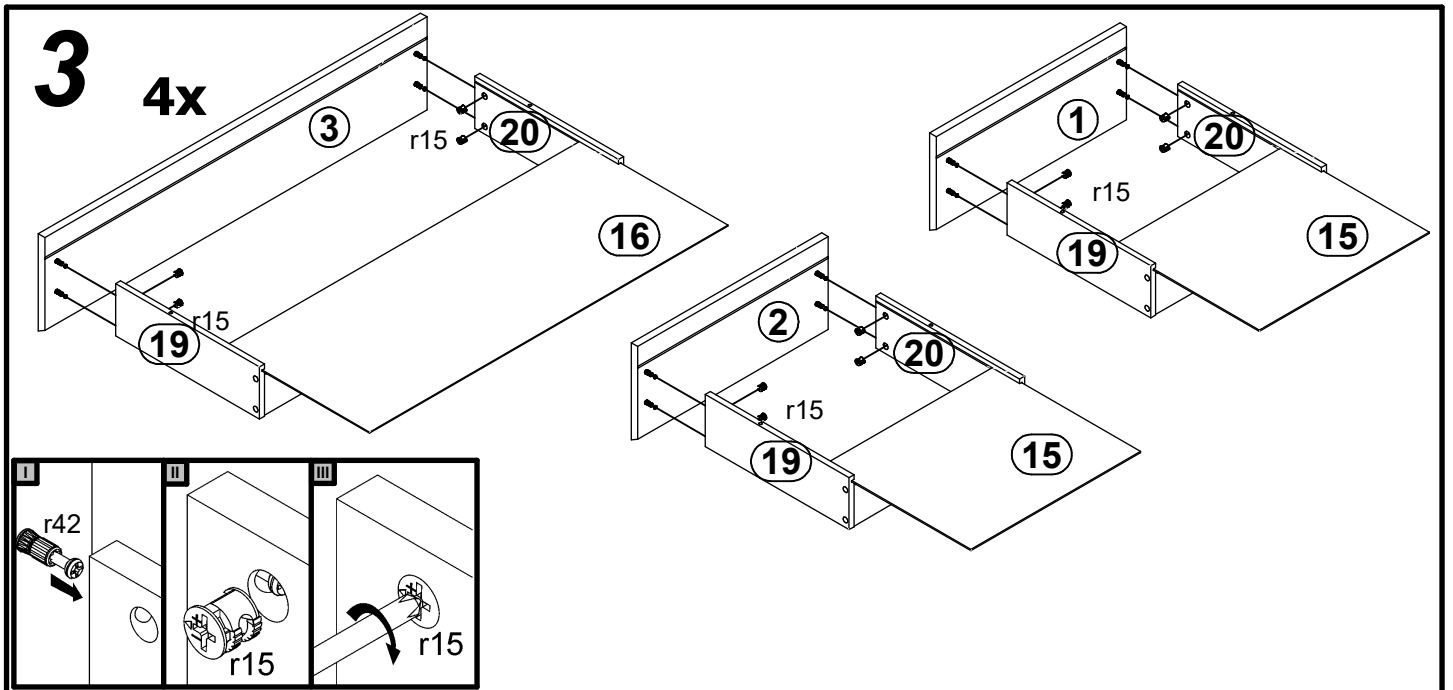
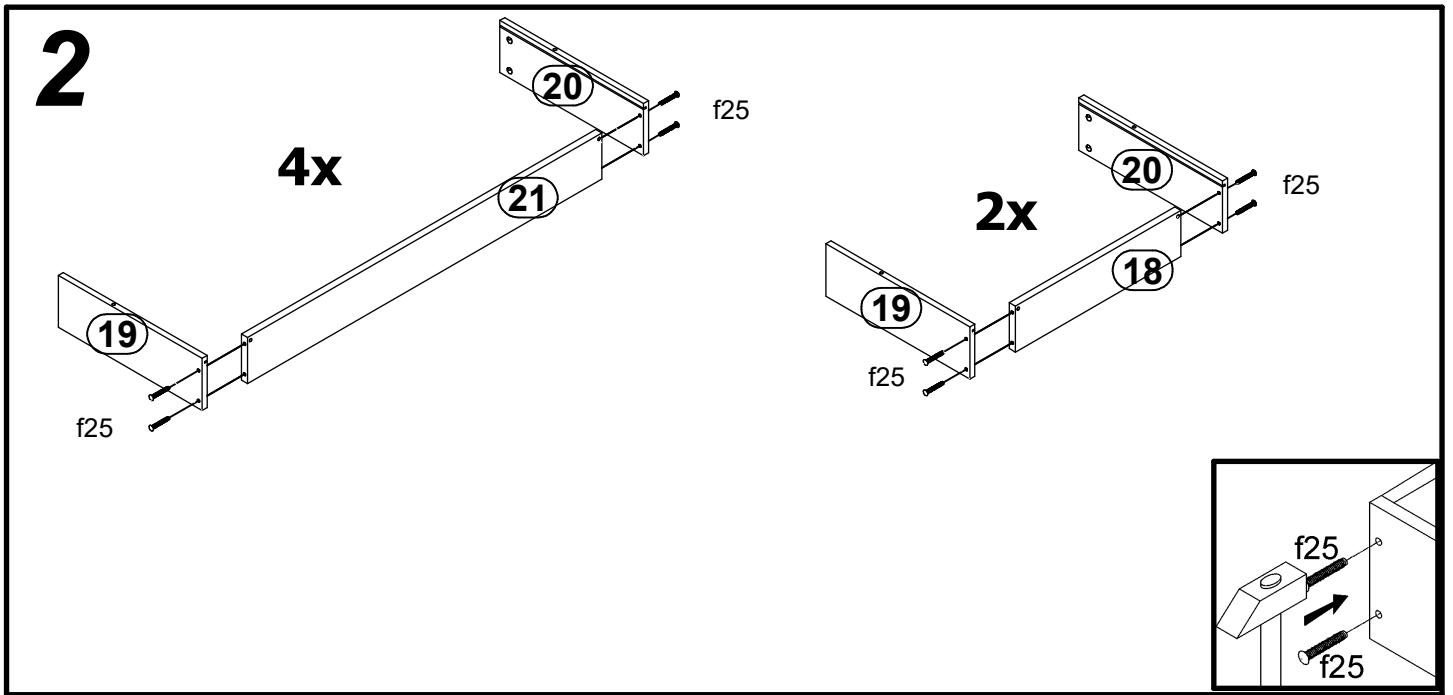


A	B	C	D	
1	S474-0013	463	205	3/3
2	S474-0014	463	205	3/3
3	S474-0015	930	205	3/3
4	S474-1018	1148	384	2/3
5	S474-1019	1148	384	2/3
6	S474-1020	247	364	2/3
7	S474-2011	963	422	1/3
8	S474-2012	933	400	1/3
9	S474-4011	369	88	1/3
10	S474-4012	369	88	1/3
11	S474-4013	902	82	1/3
12	S474-4019	902	55	1/3
13	S474-4020	902	72	2/3
14	S474-4021	902	72	2/3
15	S474-9007	413	357	1/3
16	S474-9008	872	357	1/3
17	S474-9303	1216	911	2/3
18	ZQ6-5075	403	97	2/3
19	ZQ6-519	350	110	1/3
20	ZQ6-520	350	110	1/3
21	ZQ6-5201	862	97	2/3

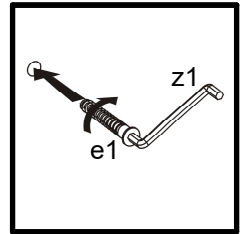
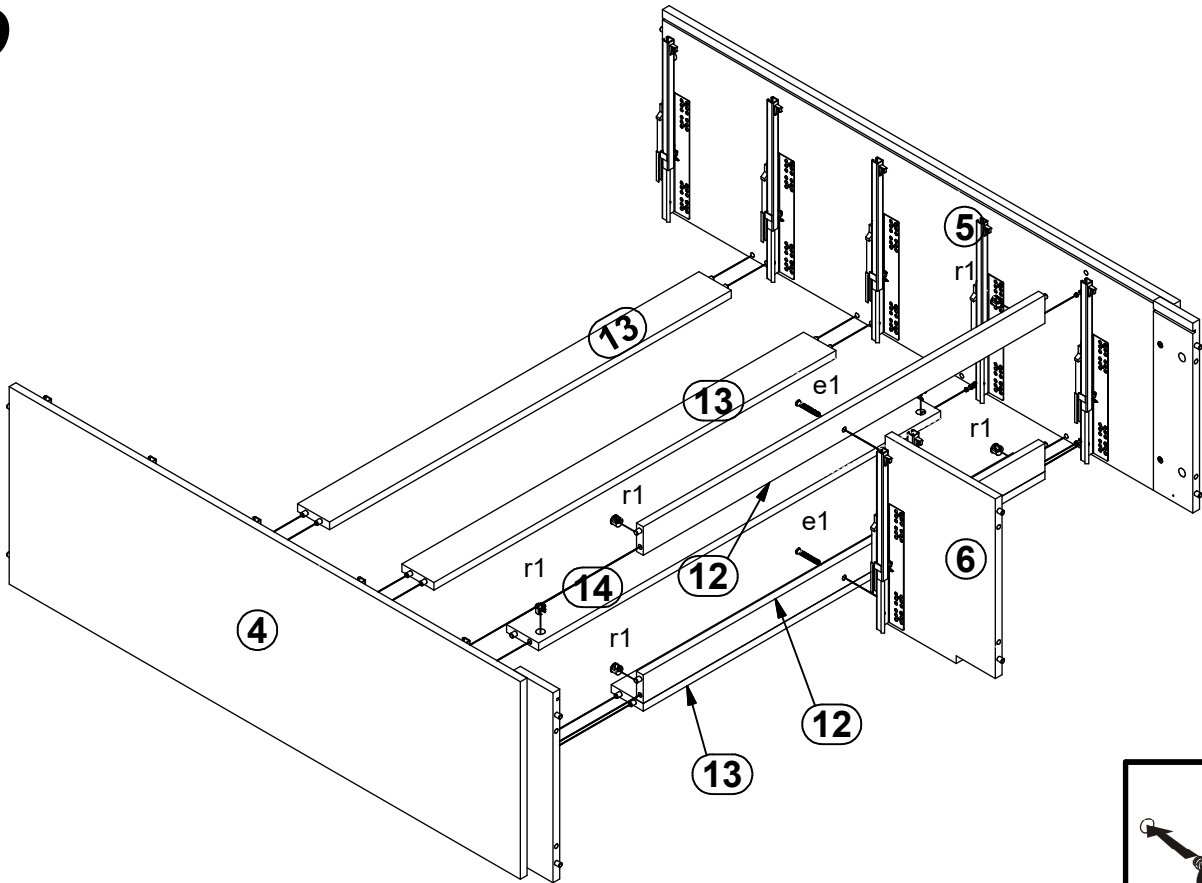


2x d36	2x Ø7x50 mm e1	32x Ø6x13 mm e3	4x Ø7x28 mm e22	28x Ø8x30 mm f1	4x Ø8x20 mm f13	24x Ø6.5x40 mm f25	4x Ø48x10 mm k43	10x l2
1x 3P 15W Ø70/17	2x 10x10 mm L=380 mm Ø77/23	1x 10x10 mm L=905 mm Ø137/3	3x 15x15 mm Ø83/9	4x Ø3.5x16 mm p25	4x Ø3.5x10 mm p35	34x Ø3.5x16 mm p38	12x Ø2.9x16 mm p55	16x Ø15x12 mm #16 r1
24x Ø12x10.5 mm #12 r15	40x 20/11 r42	4x 350 mm t35	6x 350 mm W117/L	6x 350 mm W117/P	1x 4 mm z1	1x n26/1	1x Ø3.5x16 mm p38	

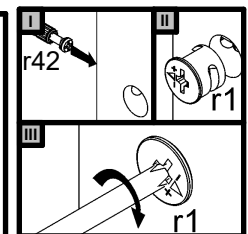
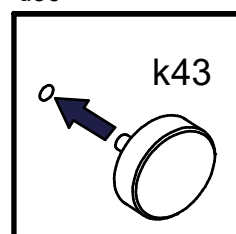
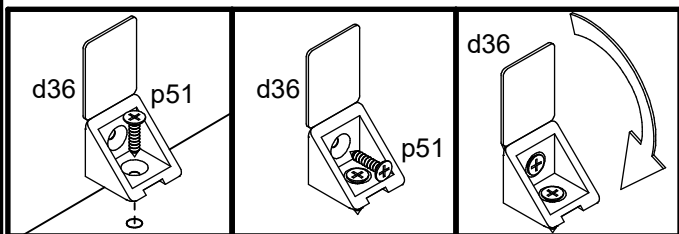
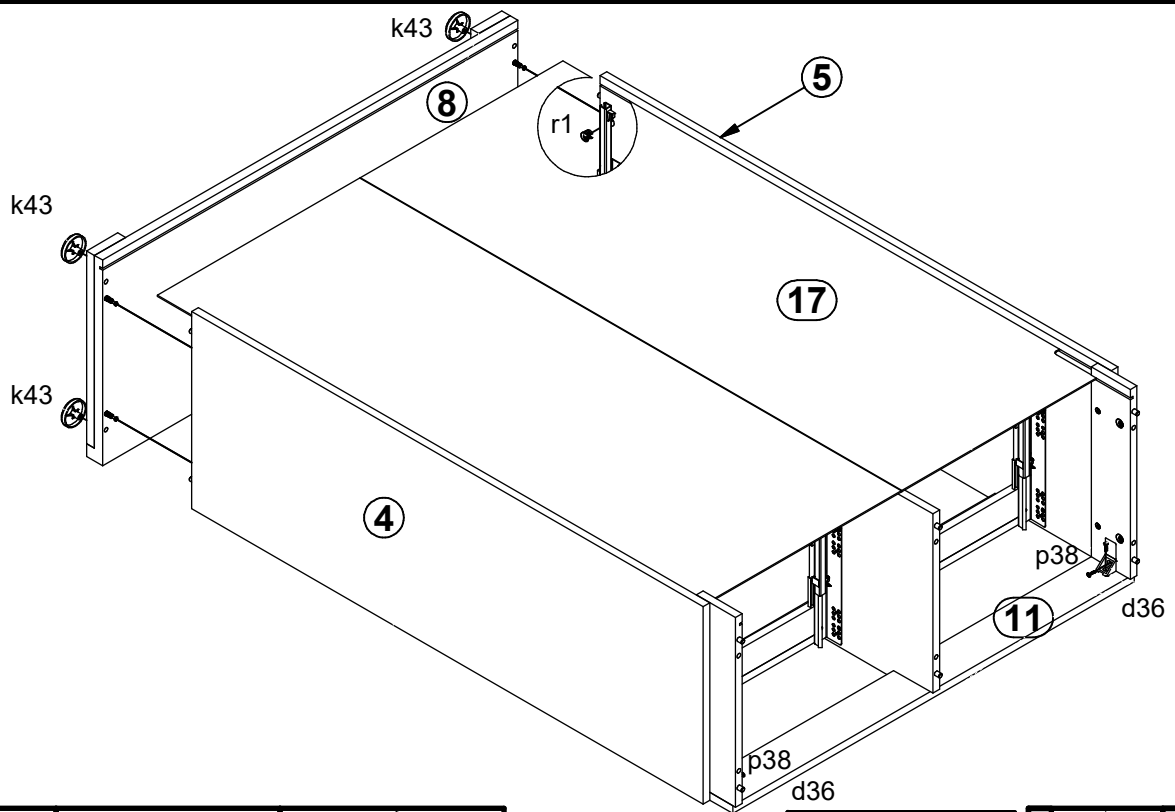




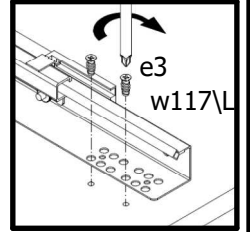
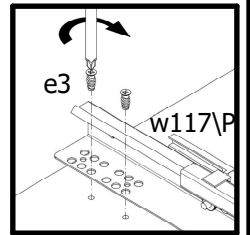
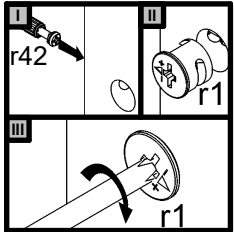
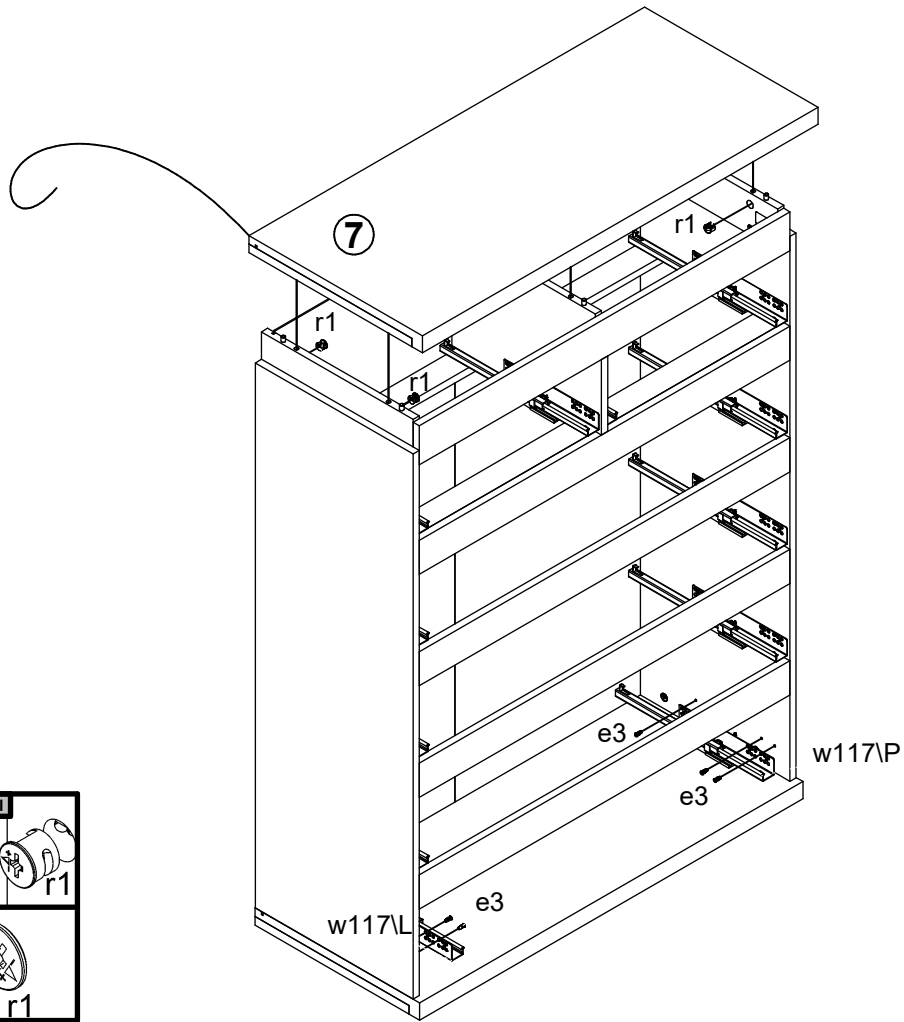
# 5



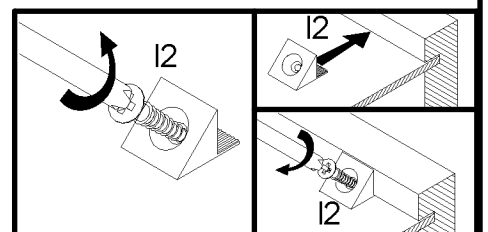
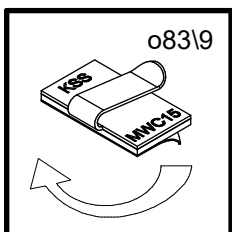
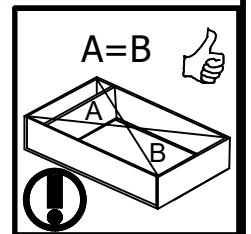
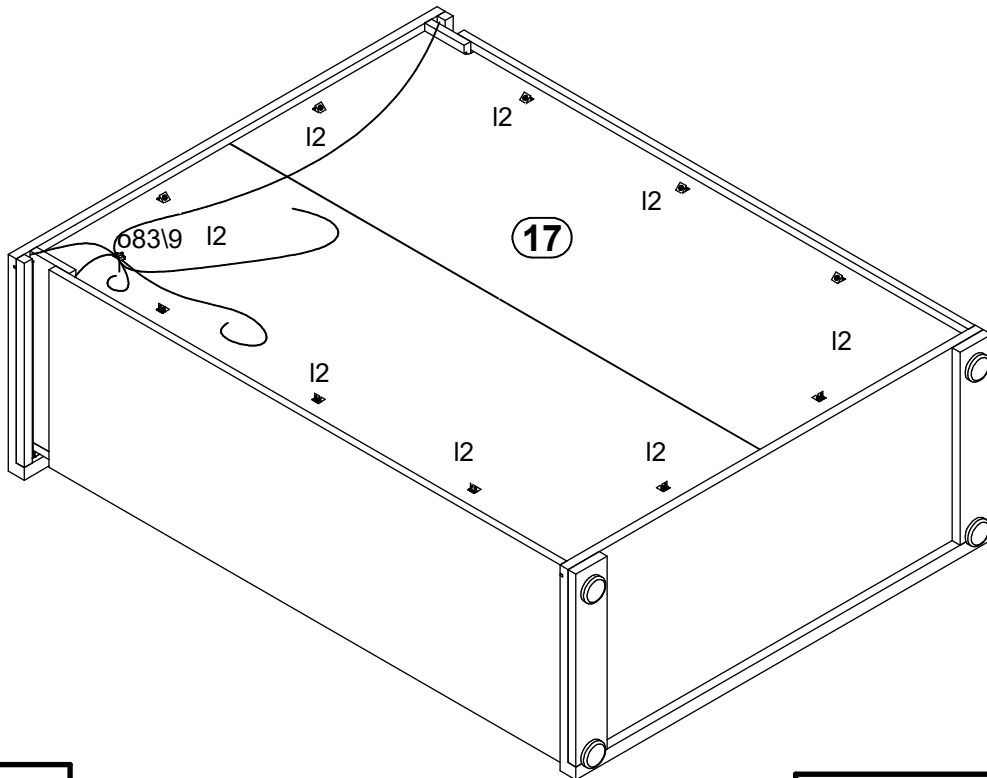
# 6



# 7



# 8



# 9

