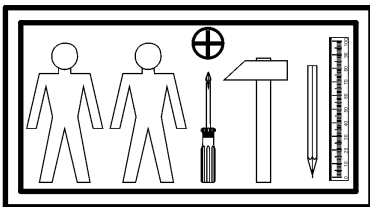
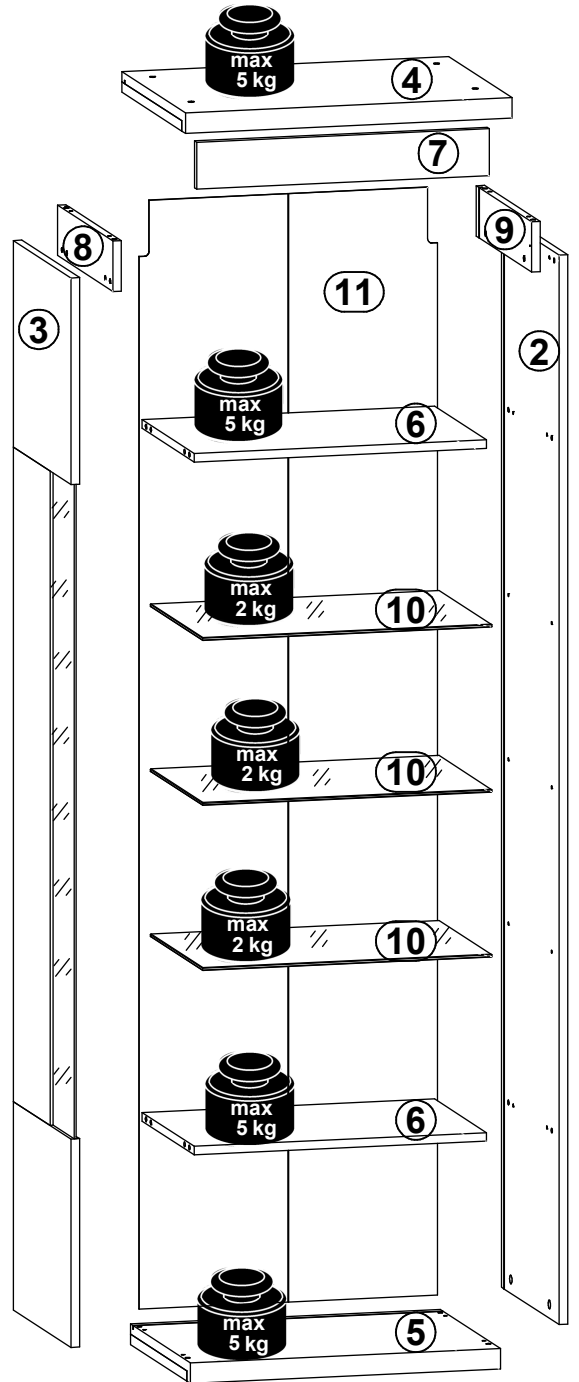
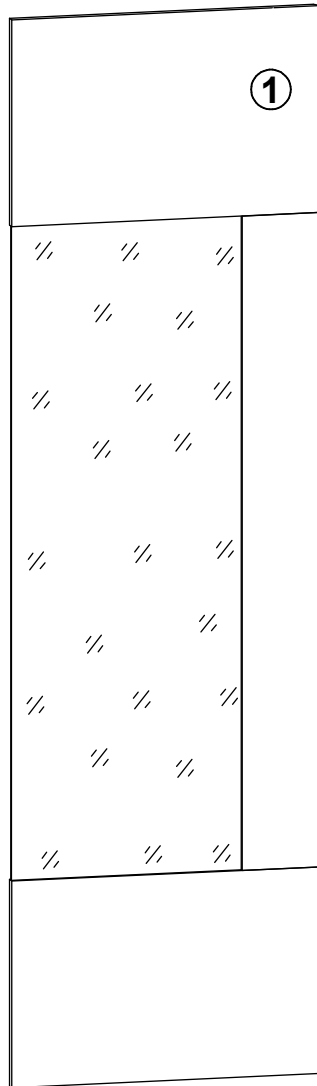
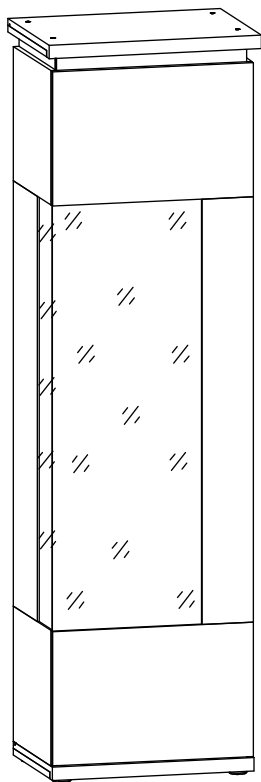


A

LAVAL

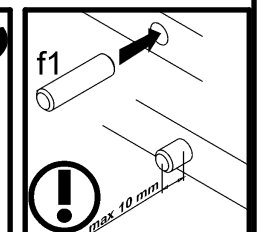
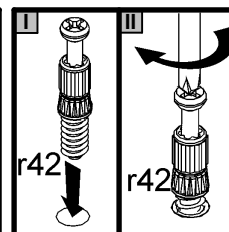
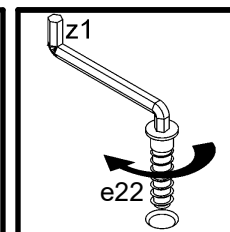
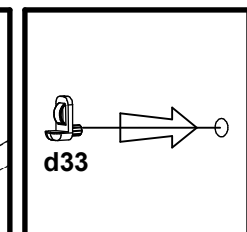
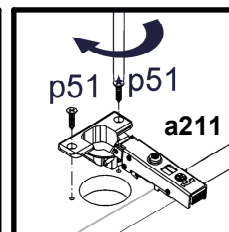
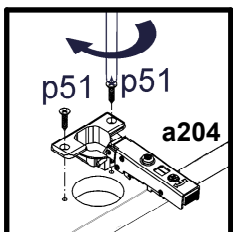
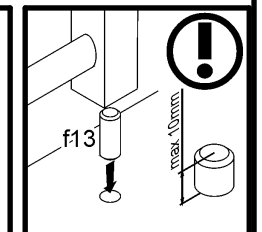
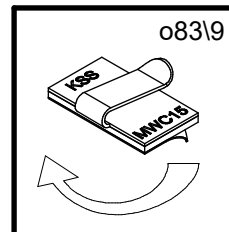
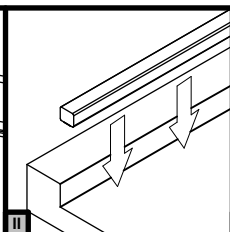
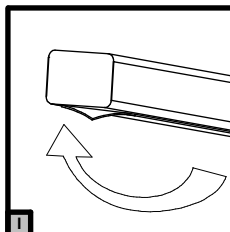
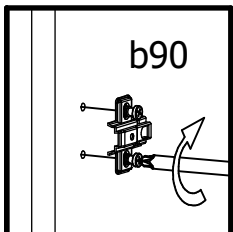
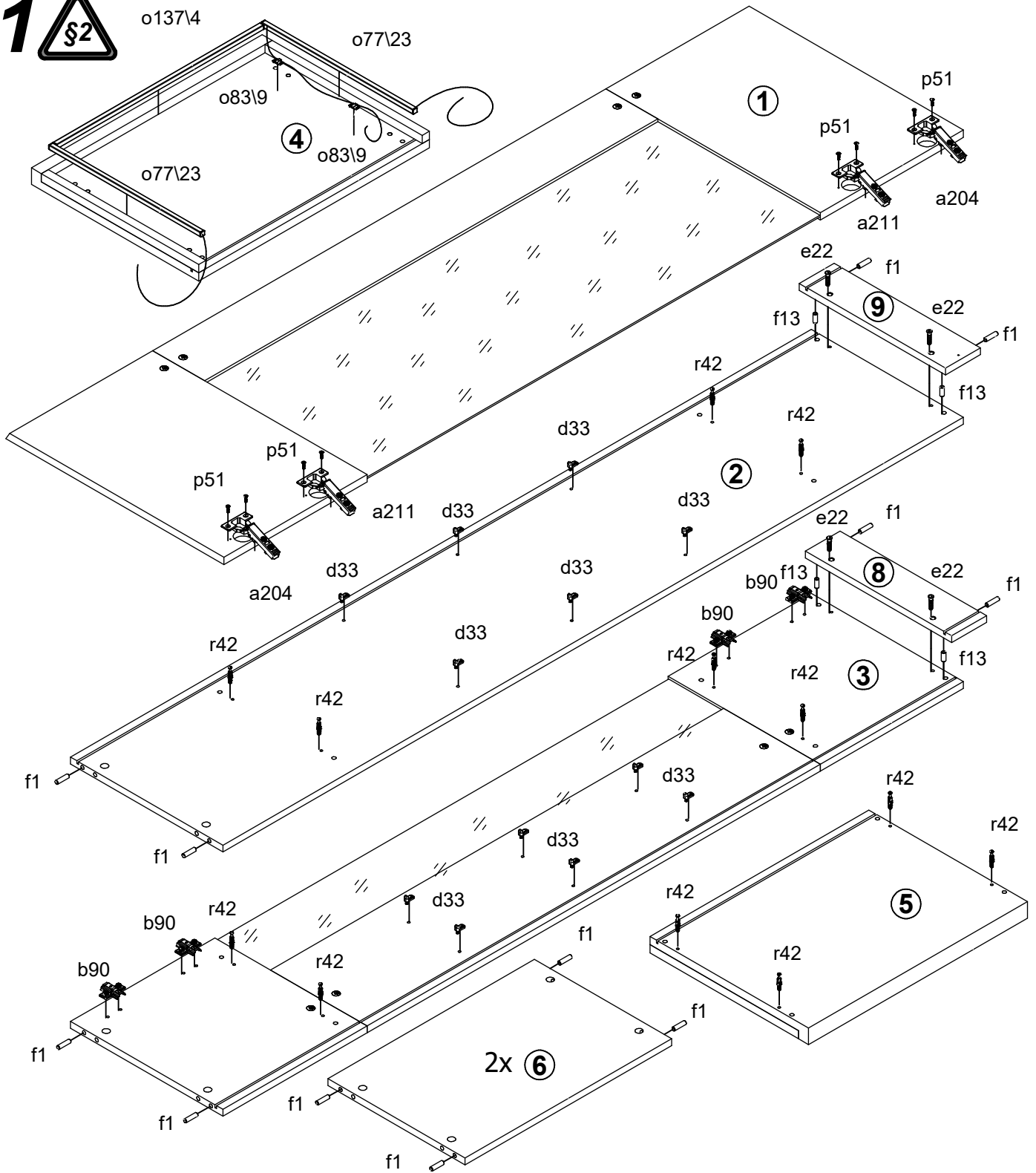
S474-REG1WL

A	B	C	D
1	S474-0008	1865	550 2/2
2	S474-1012	1868	384 2/2
3	S474-1013	1868	384 2/2
4	S474-2005	582	422 1/2
5	S474-2006	552	400 1/2
6	S474-3005	521	346 1/2
7	S474-4008	521	82 1/2
8	S474-4009	369	88 1/2
9	S474-4010	369	88 1/2
10	S474-5006	515	347 1/2
11	S474-9301	1936	531 2/2

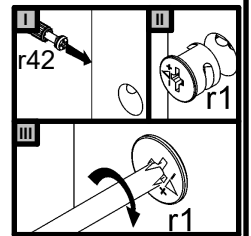
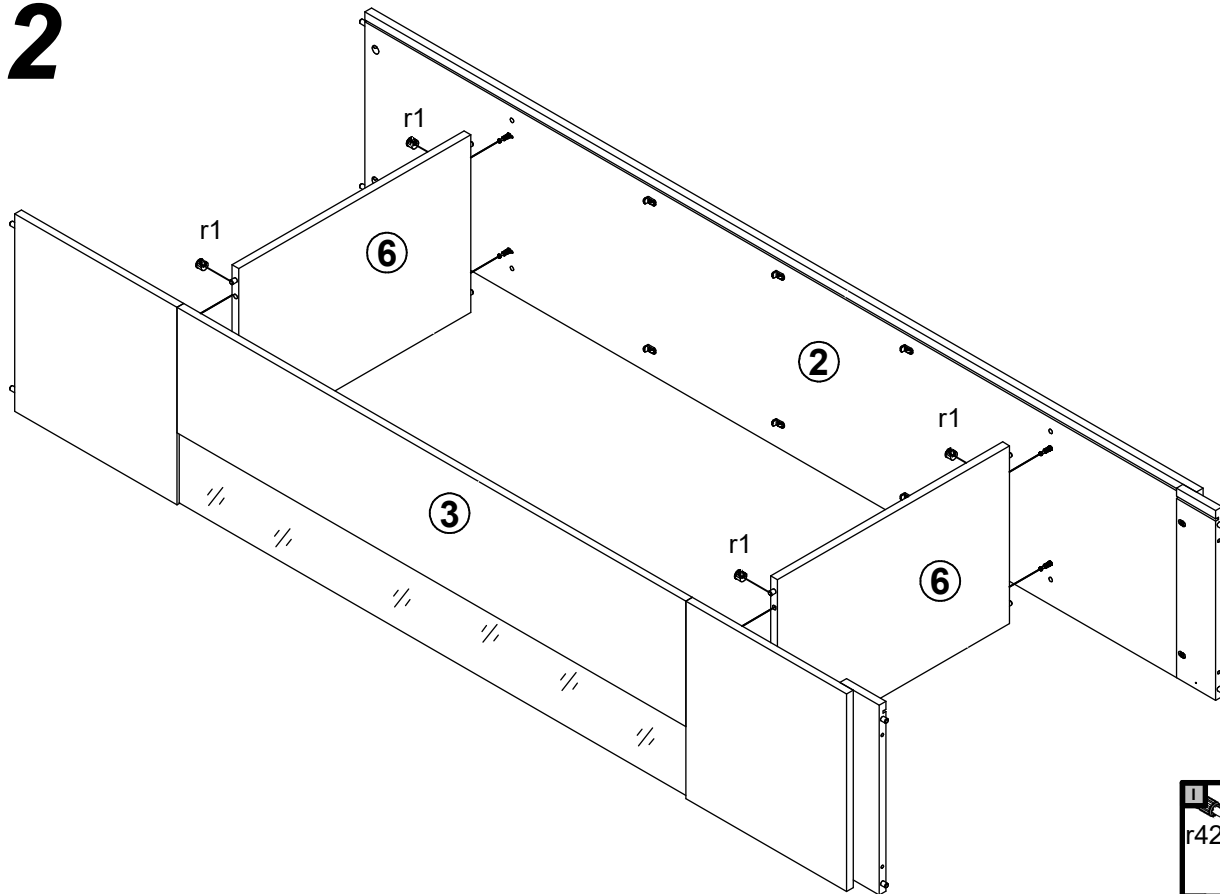


2x Ø35 a204	2x Ø35 a211	4x b90	12x d33	2x d36	4x Ø7x50 mm e1	4x Ø7x28 mm e22	16x Ø8x30 mm f1	4x Ø8x20 mm f13
4x Ø48x10 mm k43	12x l2	1x 6P 15W Ø70/22	2x L=380 mm 10x10 mm Ø77/23	3x 15x15 mm Ø83/9	1x 10x10 mm L=524 mm Ø137/4	12x Ø3,5x15 mm p51	6x Ø2,9x16 mm p55	12x Ø15x12 mm #16 r1
12x 20/11 r42	4x Ø14x0,5 mm s59	14x Ø 20mm s68	1x 4 mm z1	2x 88x21x15/1,5 n14/2	4x Ø3,5x16 mm p38	2x Ø10x50 mm f35	2x Ø5x60 mm p17	

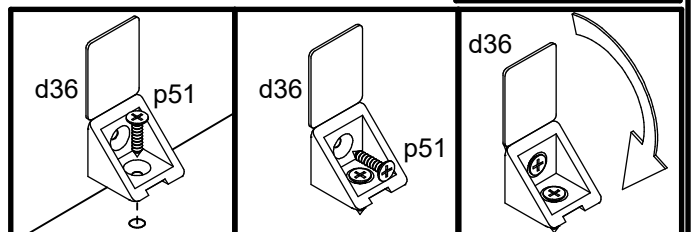
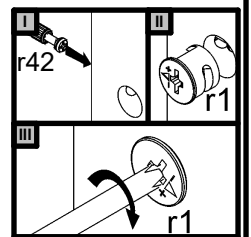
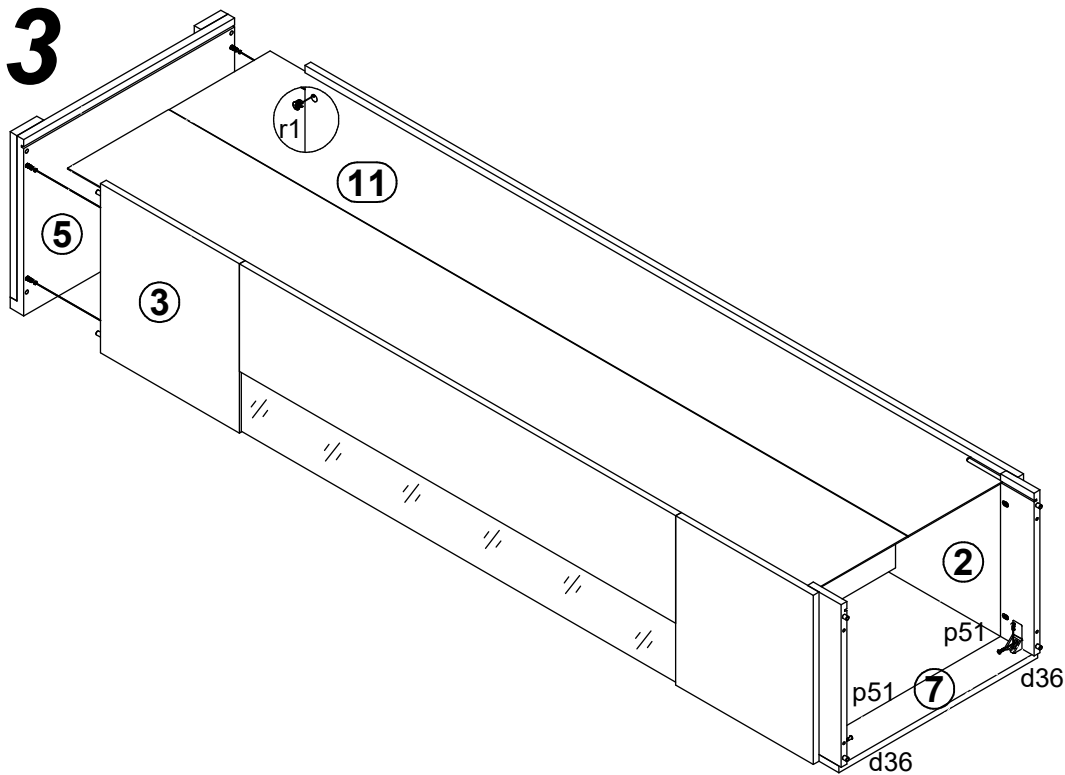
1 

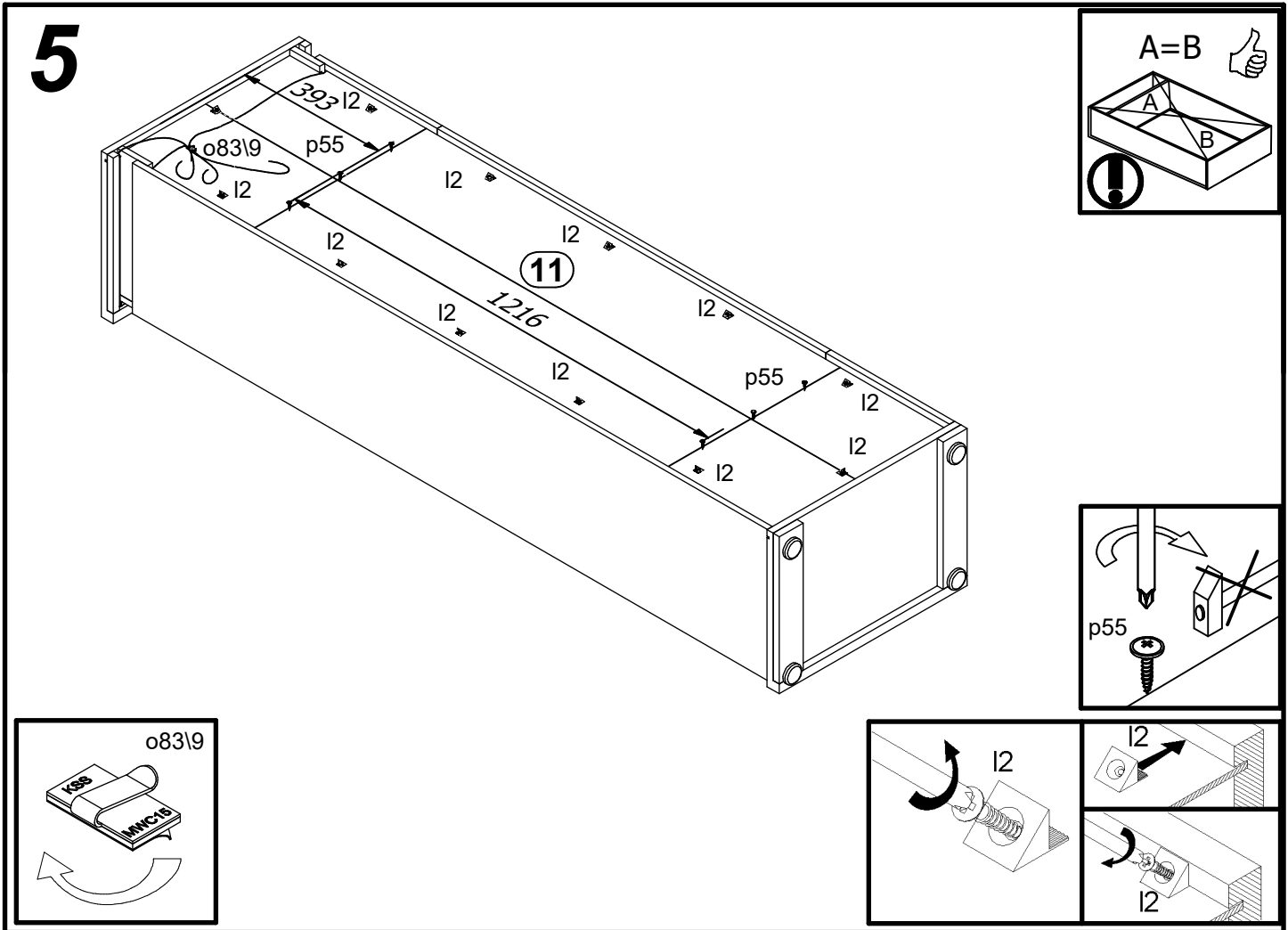
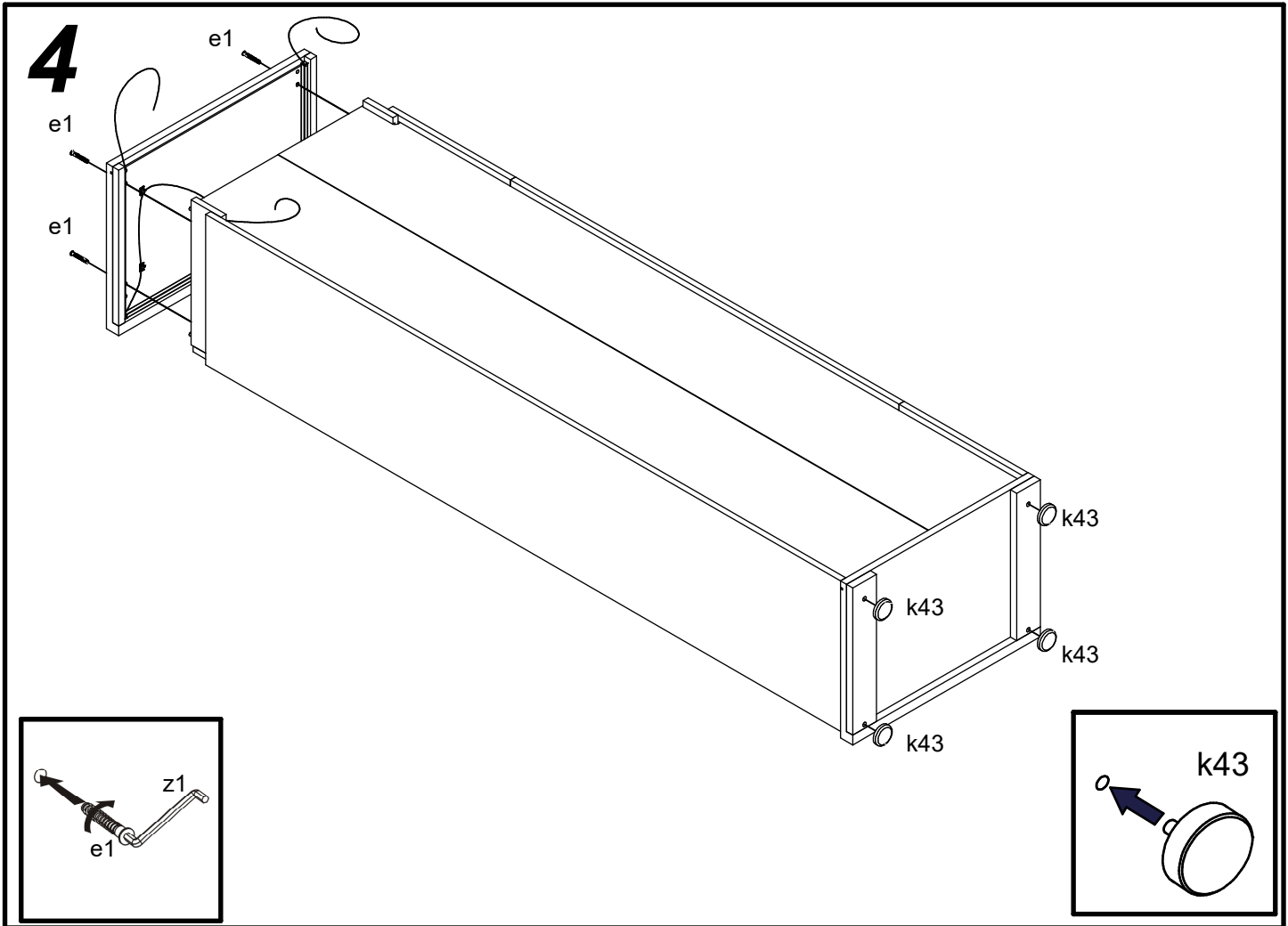


2



3





6

