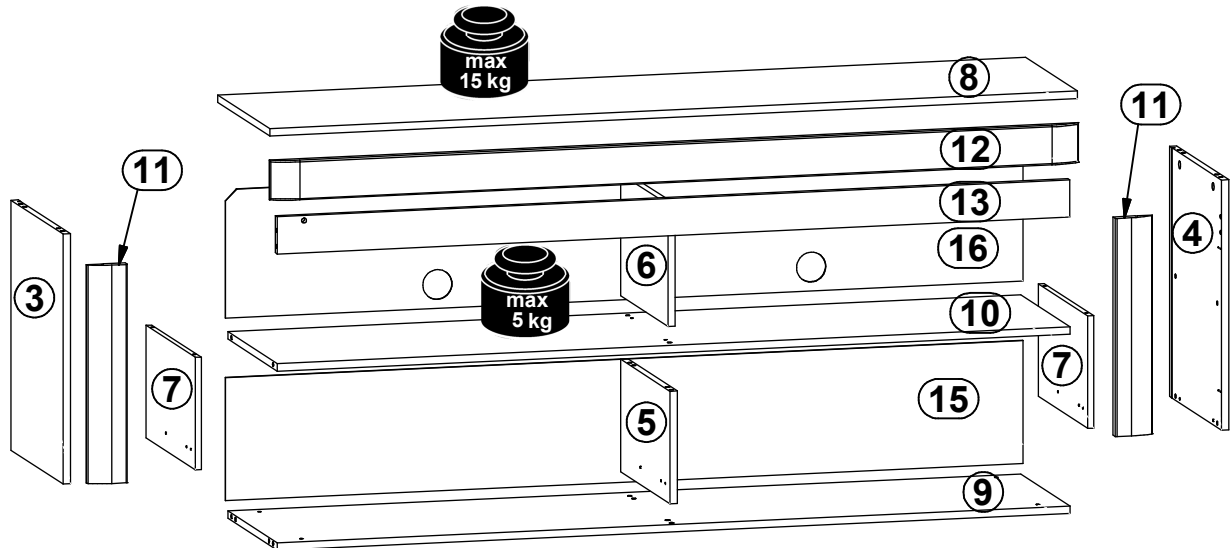
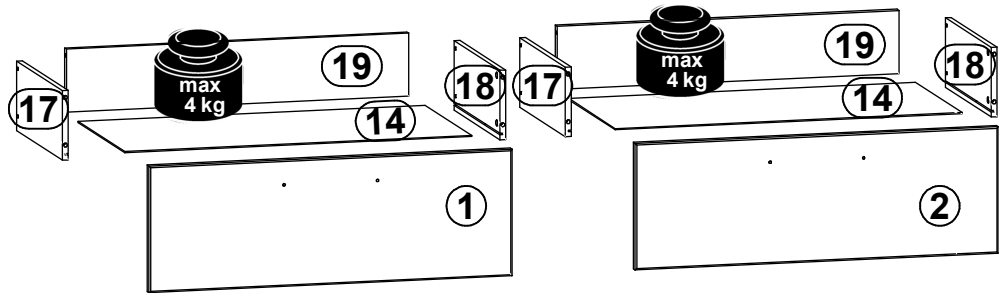
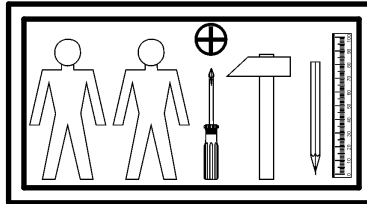
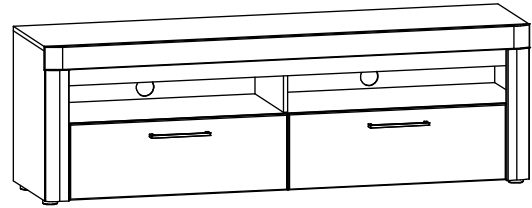
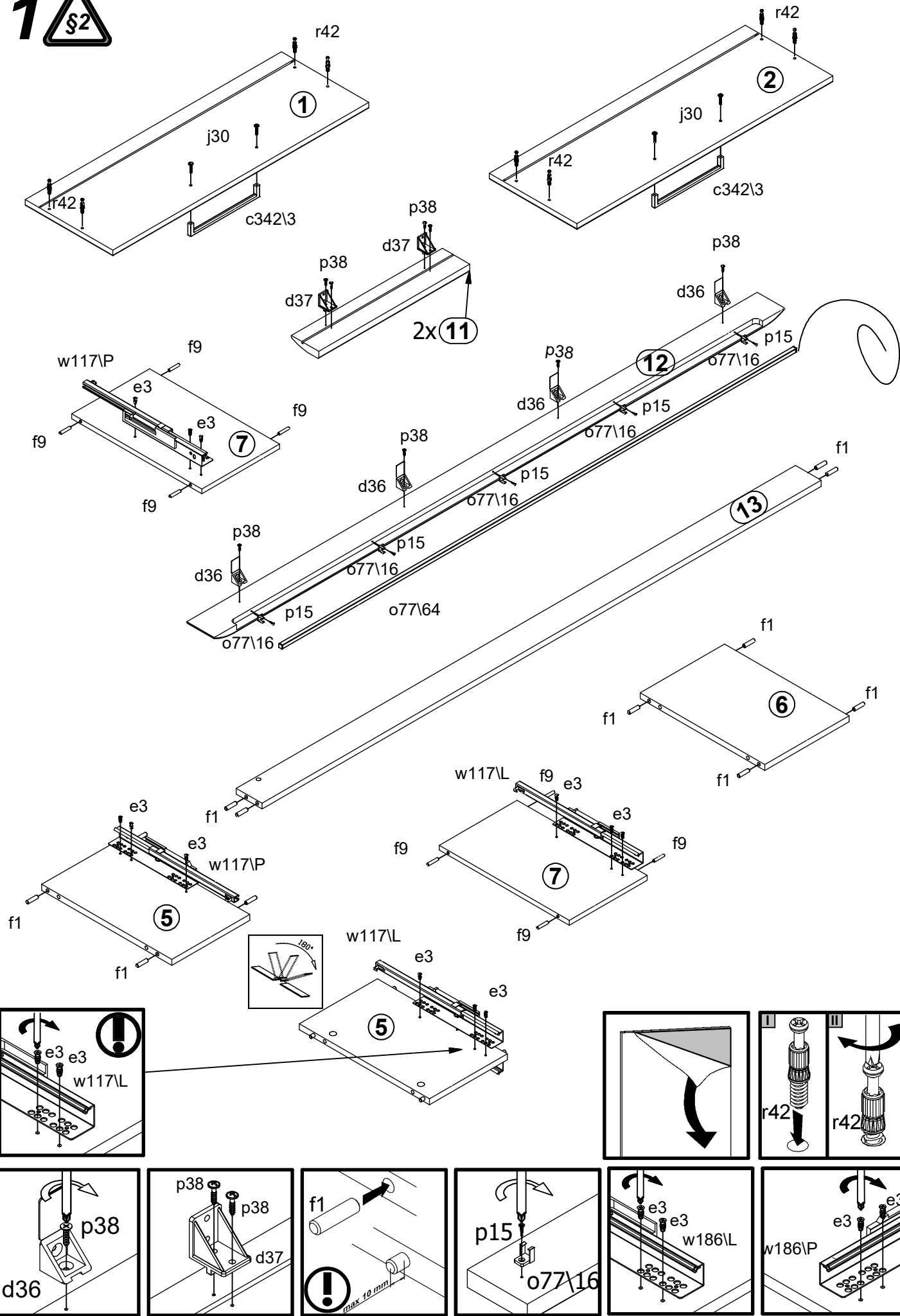


A	B	C	D	
1	S488-0009	746	255	2/2
2	S488-0010	746	255	2/2
3	S488-1011	504	399	2/2
4	S488-1012	504	399	2/2
5	S488-1013	227	379	2/2
6	S488-1014	246	363	2/2
7	S488-1015	227	379	2/2
8	S488-2004	1660	399	1/2
9	S488-3009	1629	379	1/2
10	S488-3010	1629	379	1/2
11	S488-5512	440	80	1/2
12	S488-5514	1662	80	1/2
13	S488-5515	1629	75	1/2
14	S488-9002	713	357	2/2
15	S488-9003	248	1639	1/2
16	S488-9004	259	1639	1/2
17	ZQ6-511	350	140	1/2
18	ZQ6-512	350	140	1/2
19	ZQ6-5255	703	127	2/2

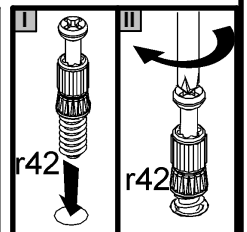
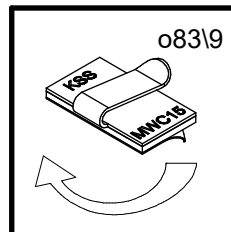
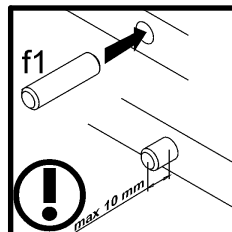
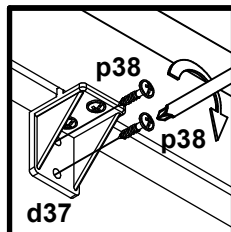
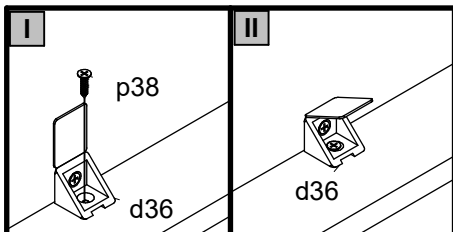
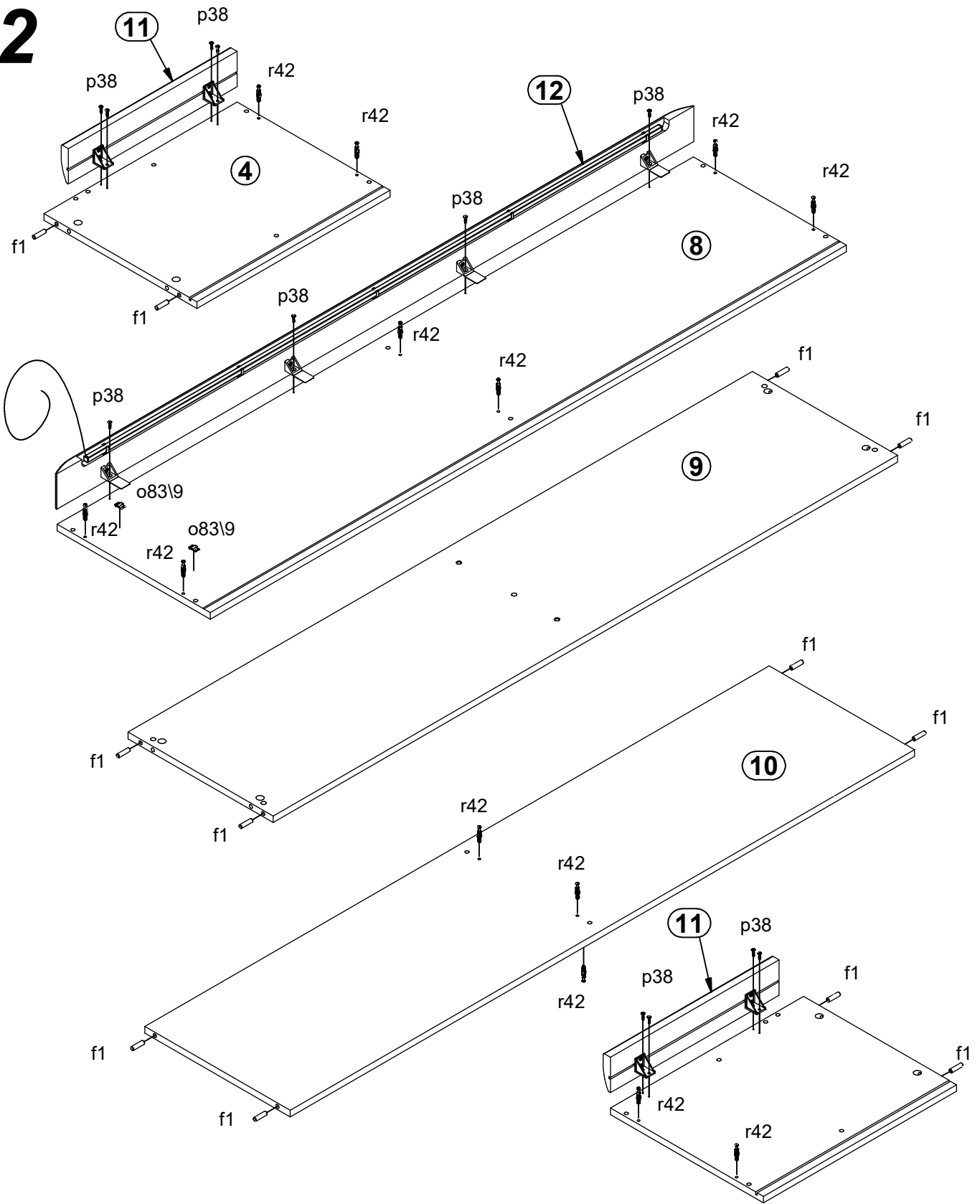


2x 192 mm c342\3	4x d36	4x d37	2x Ø7x50 mm e1	12x Ø6x13 mm e3	24x Ø8x30 mm f1	8x Ø6.5x40 mm f25	8x Ø6x30 mm f9	4x M4x22 mm j30
5x k27	8x l2	8x 22x9.5x20.7 mm n108	1x 1P 15W Ø70\10	5x Ø77\16	1x 10x10 mm L=1500 mm Ø77\64	2x 15x15 mm Ø83\9	5x Ø2.5x13 mm p15	2x Ø3.5x16 mm p25
2x Ø3.5x10 mm p35	36x Ø3.5x16 mm p38	23x Ø2.9x16 mm p55	14x Ø15x12 mm #16 r1	8x Ø12x10.5 mm #12 r15	22x 20\11 r42	2x 350 mm t35	2x 350 mm W117\L	2x 350 mm W117\P
8x Ø20mm s68	1x 4 mm z1	1x n26\1	1x Ø3.5x16 mm p38					

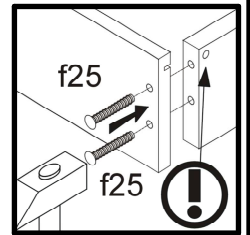
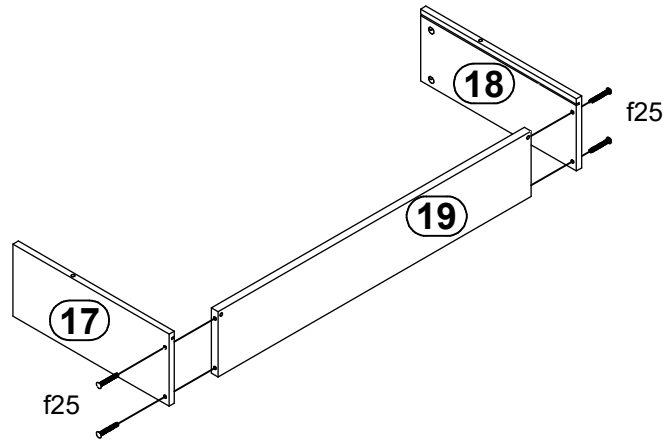
1 



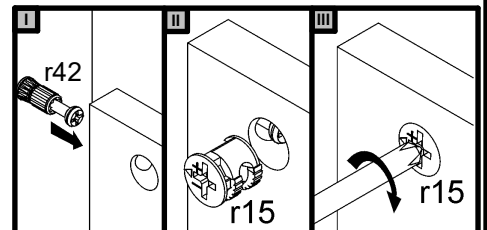
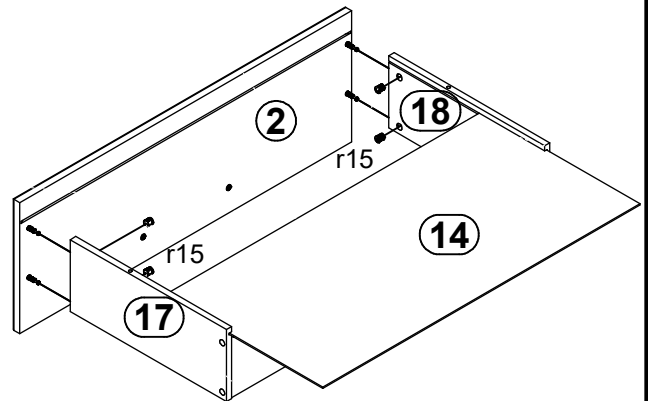
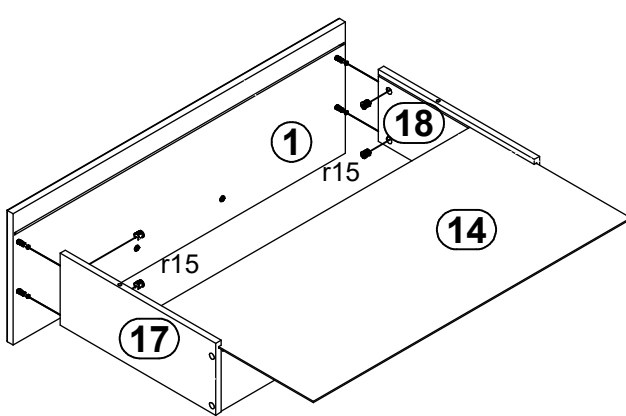
2



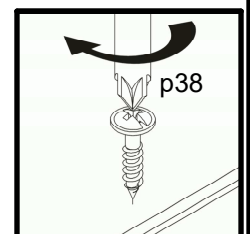
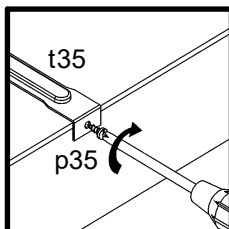
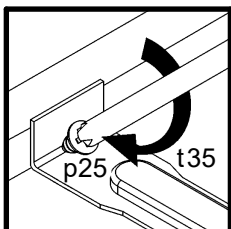
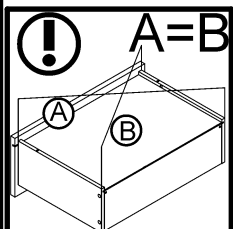
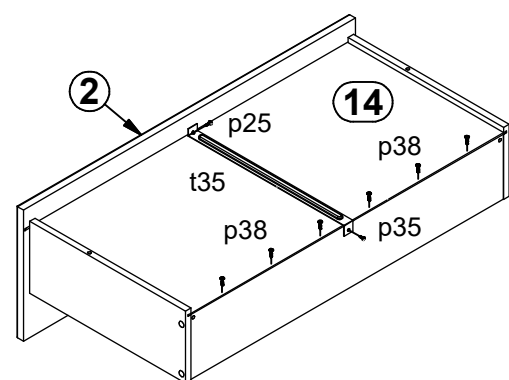
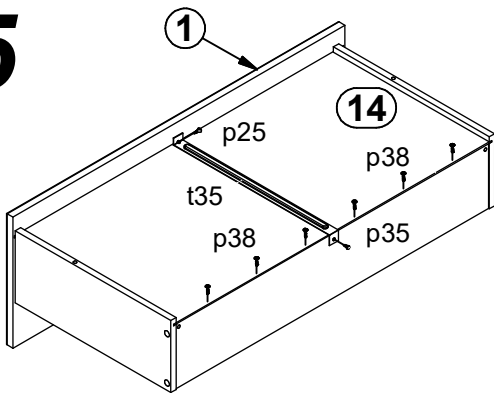
3



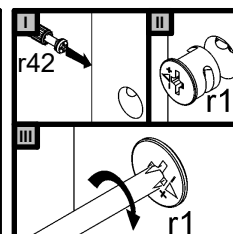
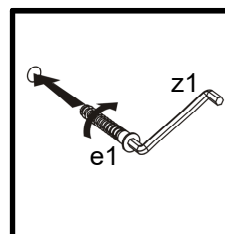
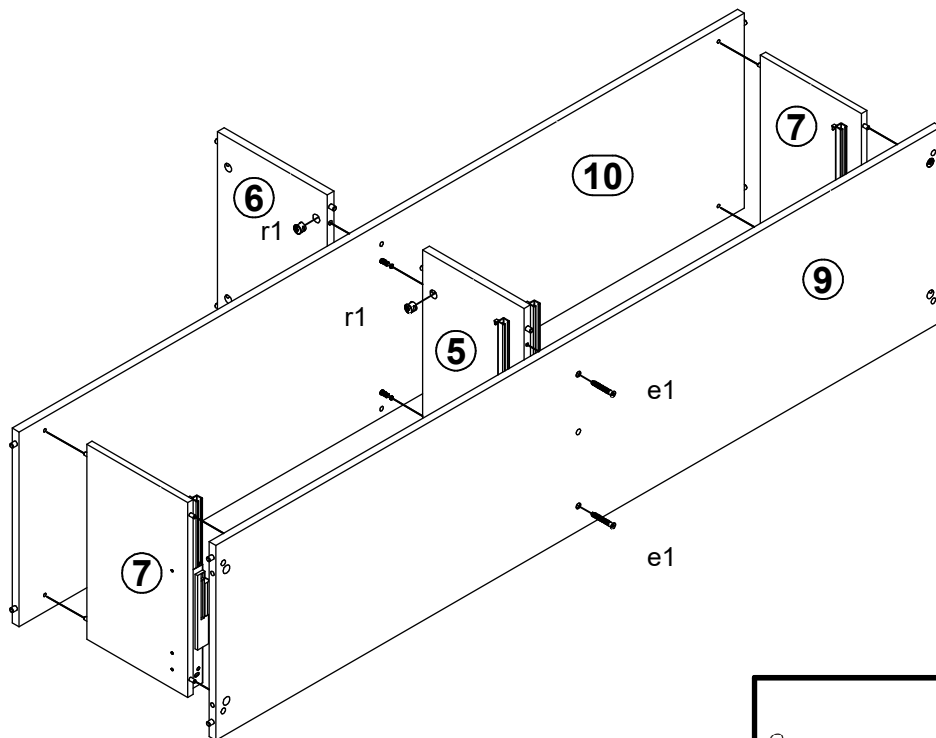
4



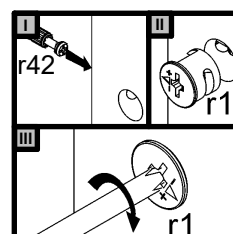
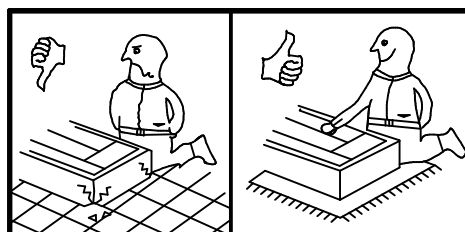
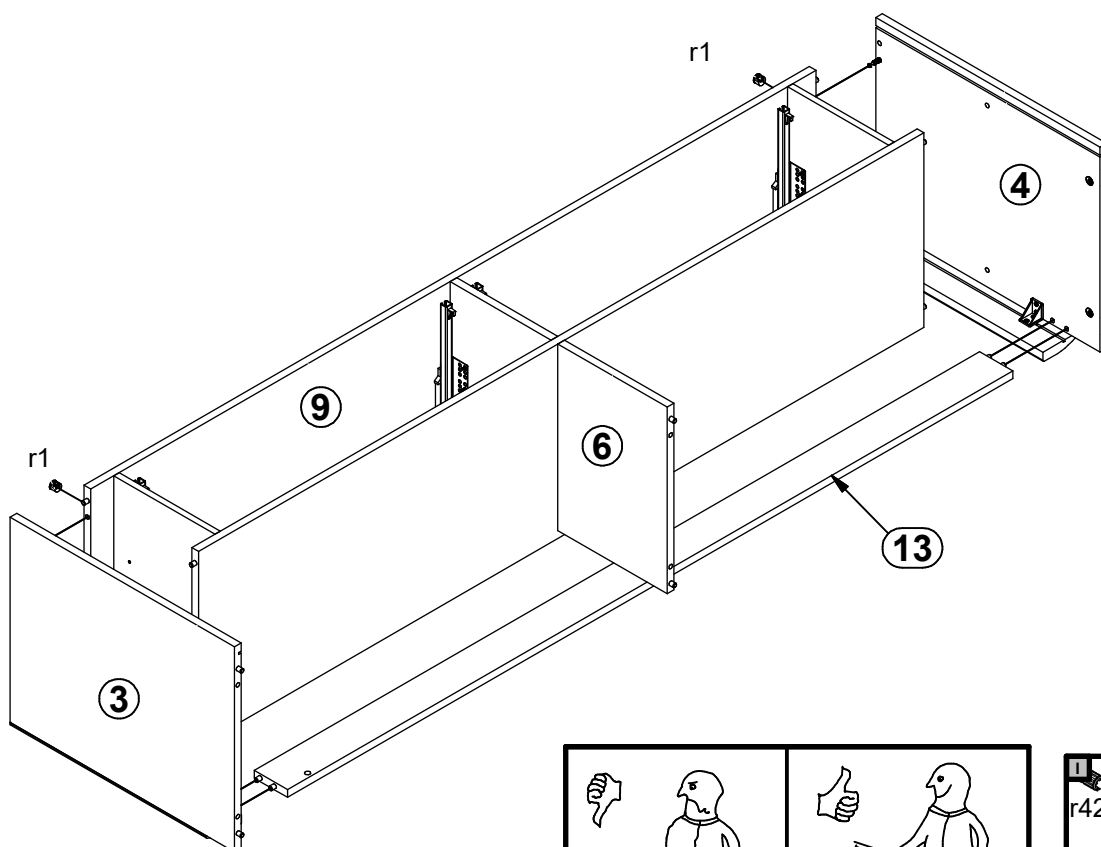
5



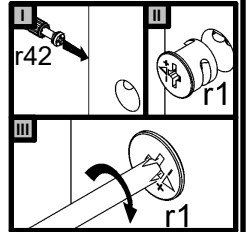
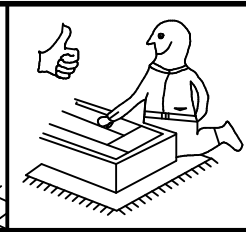
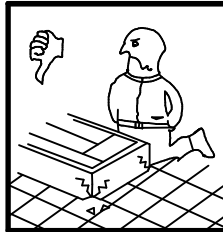
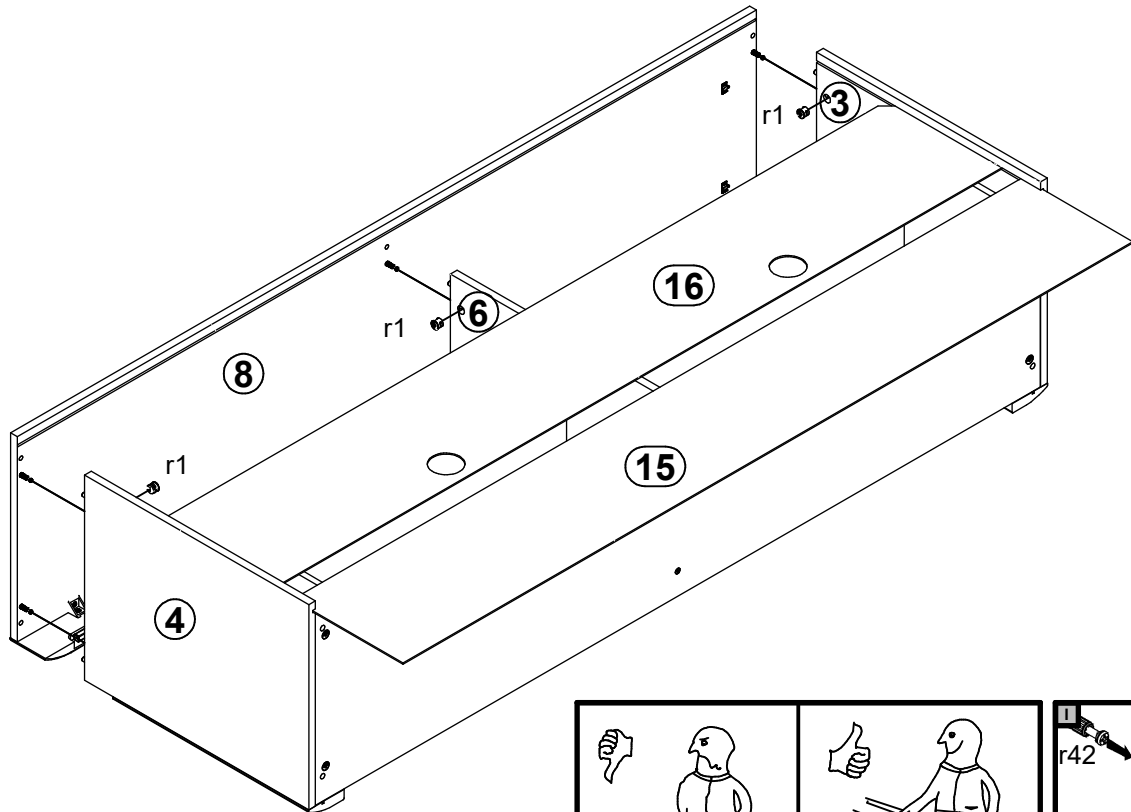
6



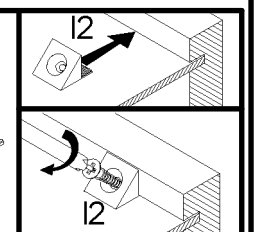
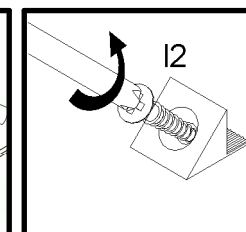
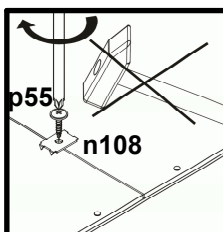
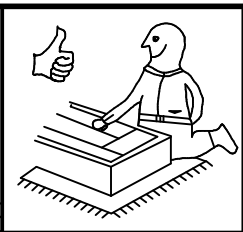
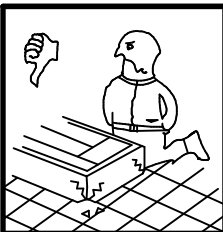
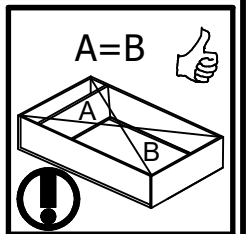
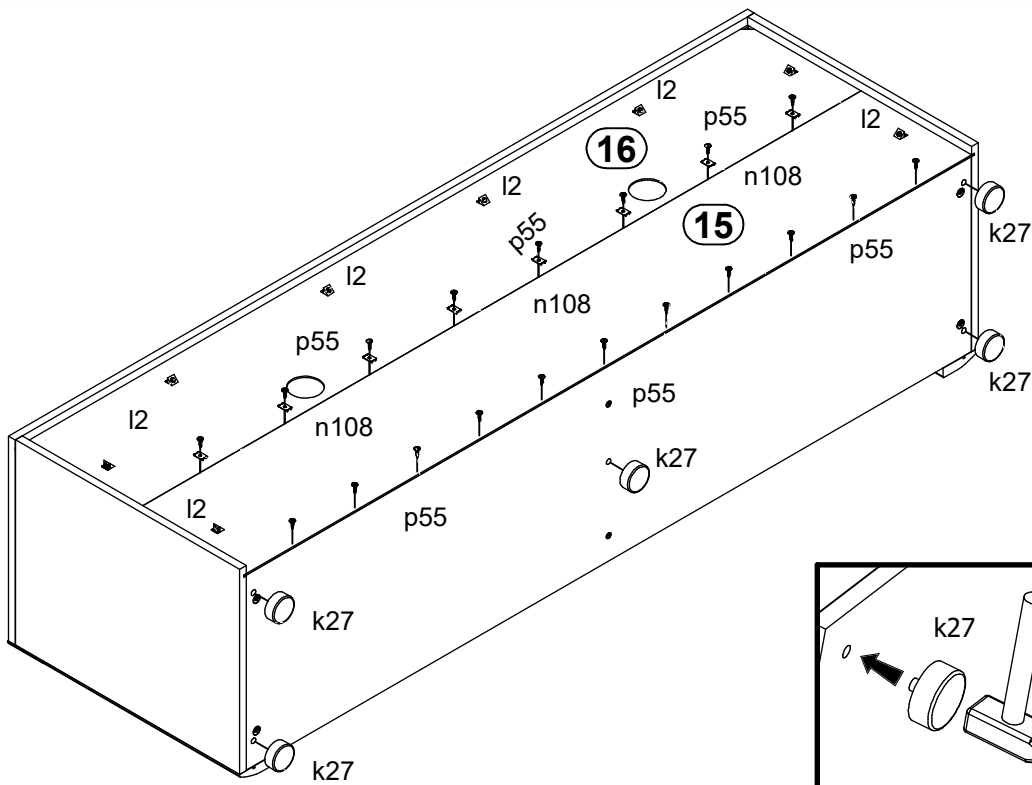
7



8



9



10

