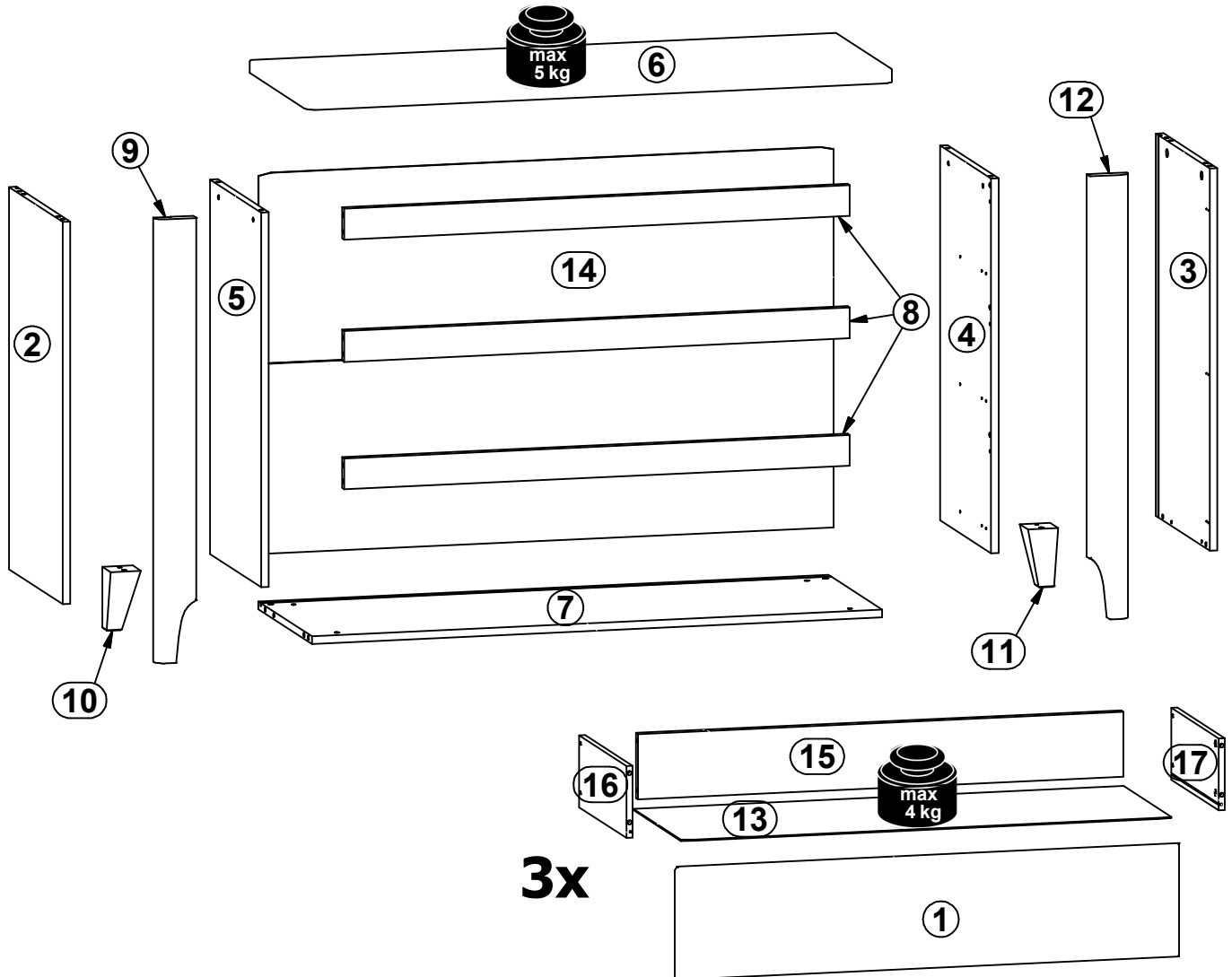
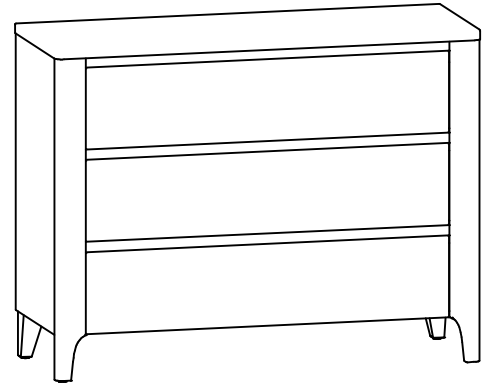
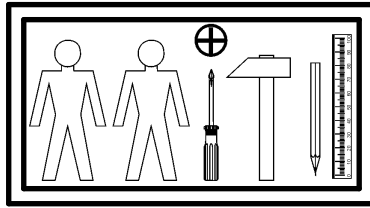
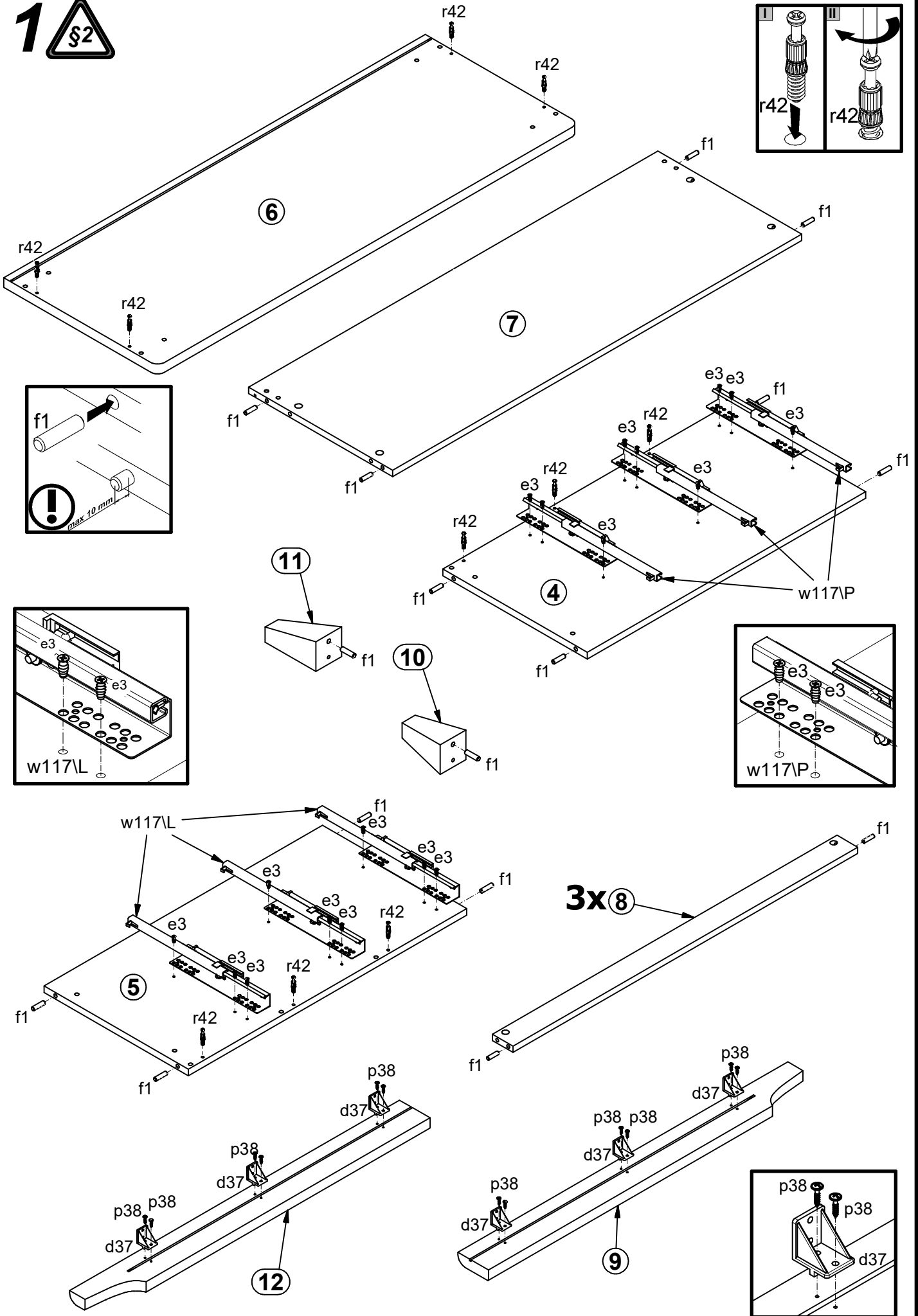
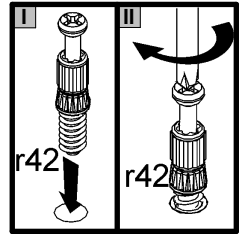


| A  | B         | C    | D   |     |
|----|-----------|------|-----|-----|
| 1  | S472-0005 | 996  | 220 | 3/3 |
| 2  | S472-1001 | 744  | 398 | 1/3 |
| 3  | S472-1006 | 744  | 398 | 1/3 |
| 4  | S472-1007 | 729  | 378 | 1/3 |
| 5  | S472-1008 | 729  | 378 | 1/3 |
| 6  | S472-2002 | 1165 | 425 | 2/3 |
| 7  | S472-3003 | 1131 | 398 | 2/3 |
| 8  | S472-4003 | 1003 | 60  | 3/3 |
| 9  | S472-5001 | 864  | 80  | 3/3 |
| 10 | S472-5003 | 120  | 60  | 3/3 |
| 11 | S472-5004 | 120  | 60  | 3/3 |
| 12 | S472-5007 | 864  | 80  | 3/3 |
| 13 | S472-9002 | 973  | 357 | 2/3 |
| 14 | S472-9302 | 1141 | 741 | 2/3 |
| 15 | ZQ6-5206  | 963  | 127 | 2/3 |
| 16 | ZQ6-511   | 350  | 140 | 2/3 |
| 17 | ZQ6-512   | 350  | 140 | 2/3 |

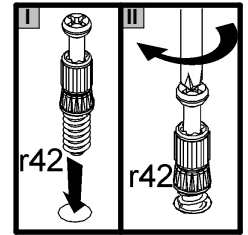
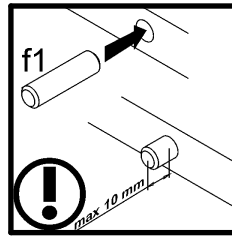
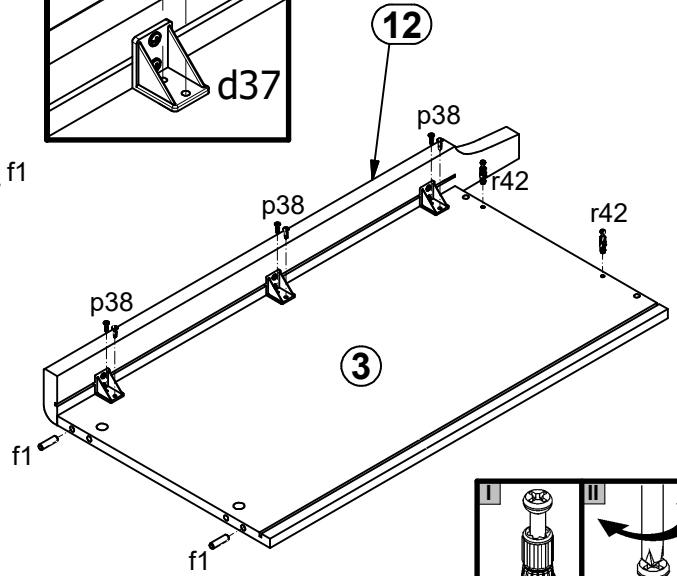
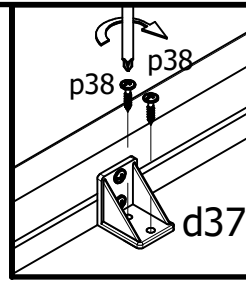
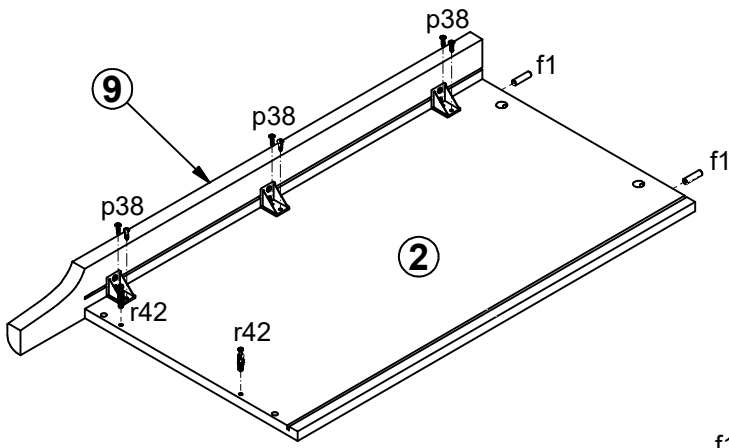


|                              |                             |                                |                                   |                              |                           |                                 |                                 |                             |
|------------------------------|-----------------------------|--------------------------------|-----------------------------------|------------------------------|---------------------------|---------------------------------|---------------------------------|-----------------------------|
| 6x<br><br>d37                | 2x<br><br>Ø7x50 mm<br>e1    | 18x<br><br>Ø6x13 mm<br>e3      | 24x<br><br>Ø8x30 mm<br>f1         | 12x<br><br>Ø6,5x40 mm<br>f25 | 4x<br><br>Ø20x3mm<br>k103 | 10x<br><br>l2                   | 3x<br><br>Ø3,5x16 mm<br>p25     | 3x<br><br>Ø3,5x10 mm<br>p35 |
| 42x<br><br>Ø3,5x16 mm<br>p38 | 6x<br><br>Ø2,9x16 mm<br>p55 | 14x<br><br>Ø15x12 mm #16<br>r1 | 12x<br><br>Ø12x10,5 mm #12<br>r15 | 26x<br><br>20/11<br>r42      | 3x<br><br>350 mm<br>t35   | 3x<br><br>350 mm W117L<br>w117L | 3x<br><br>350 mm W117P<br>w117P | 1x<br><br>4 mm<br>z1        |
|                              |                             |                                |                                   |                              |                           | 1x<br><br>n26                   |                                 | 1x<br><br>Ø3,5x16 mm<br>p38 |

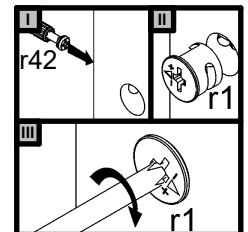
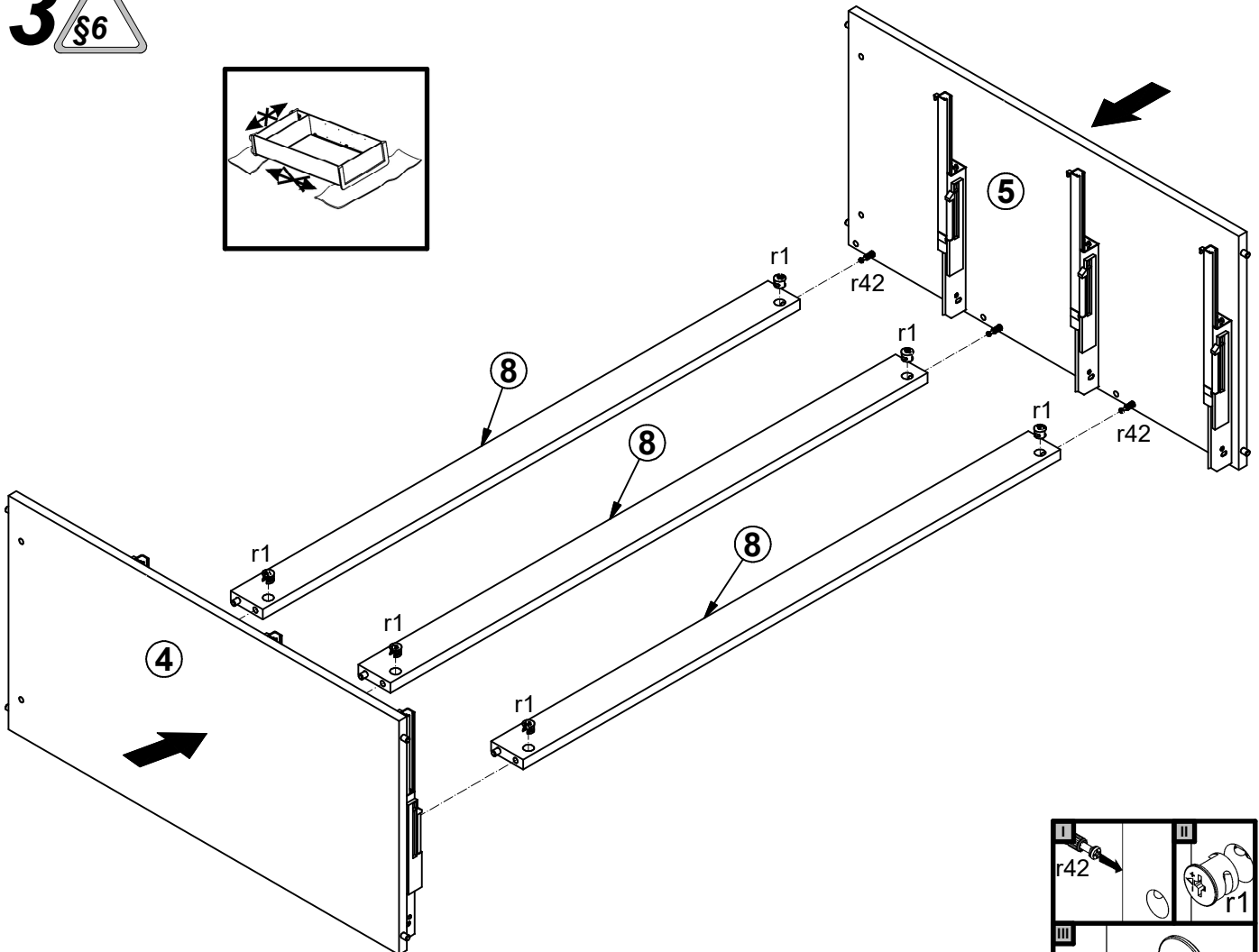
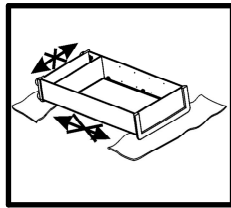
1 



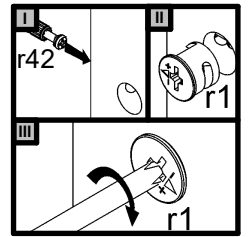
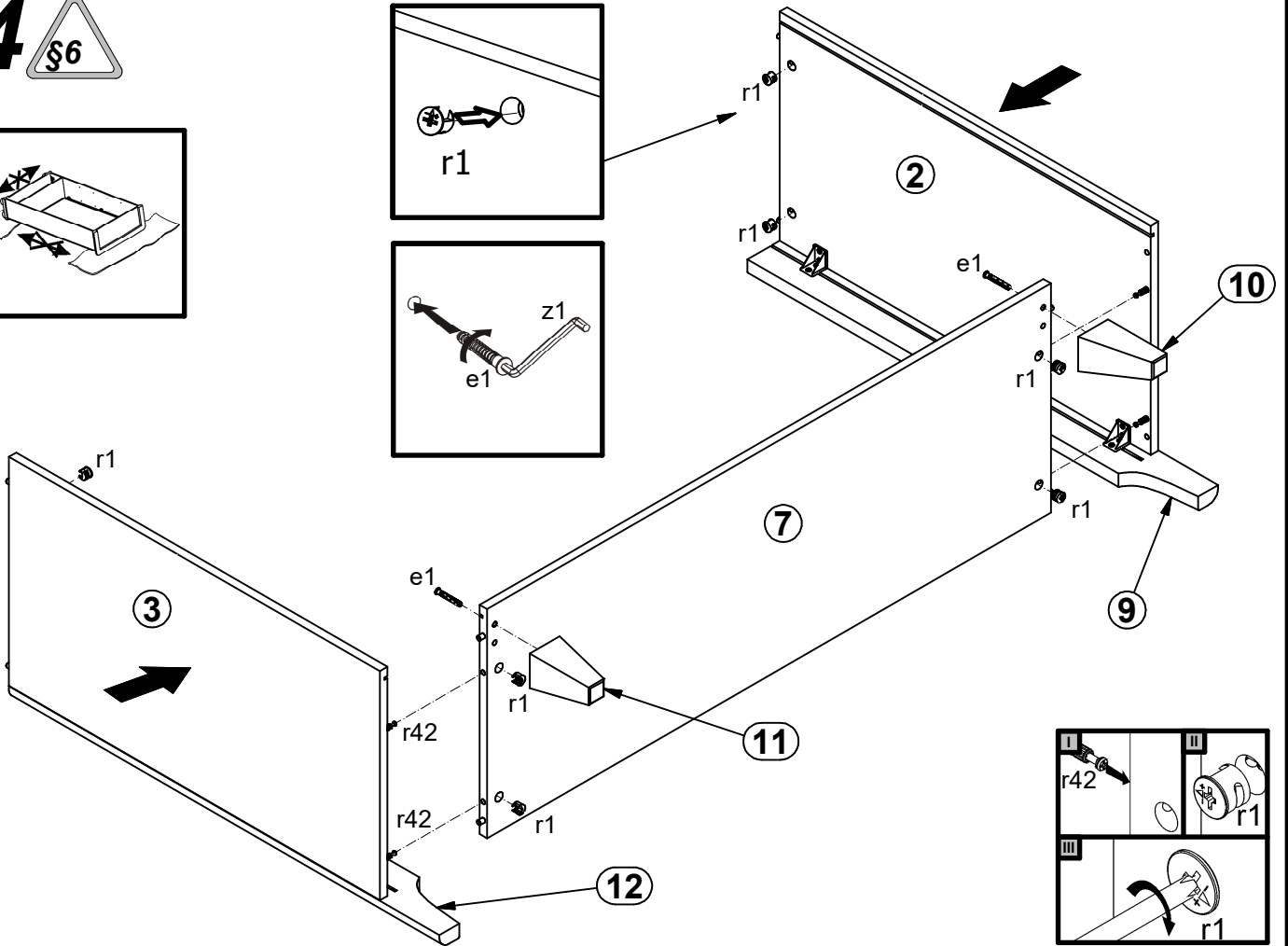
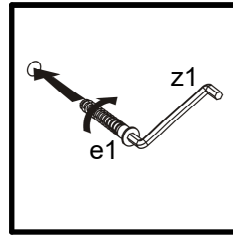
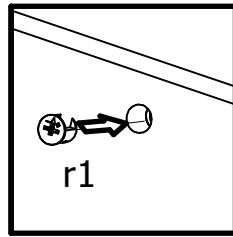
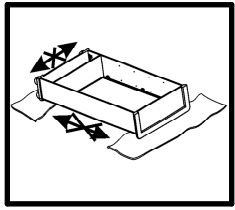
# 2



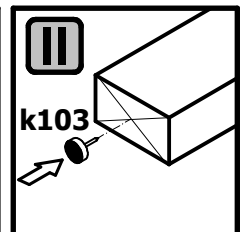
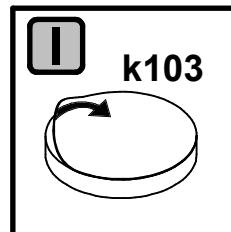
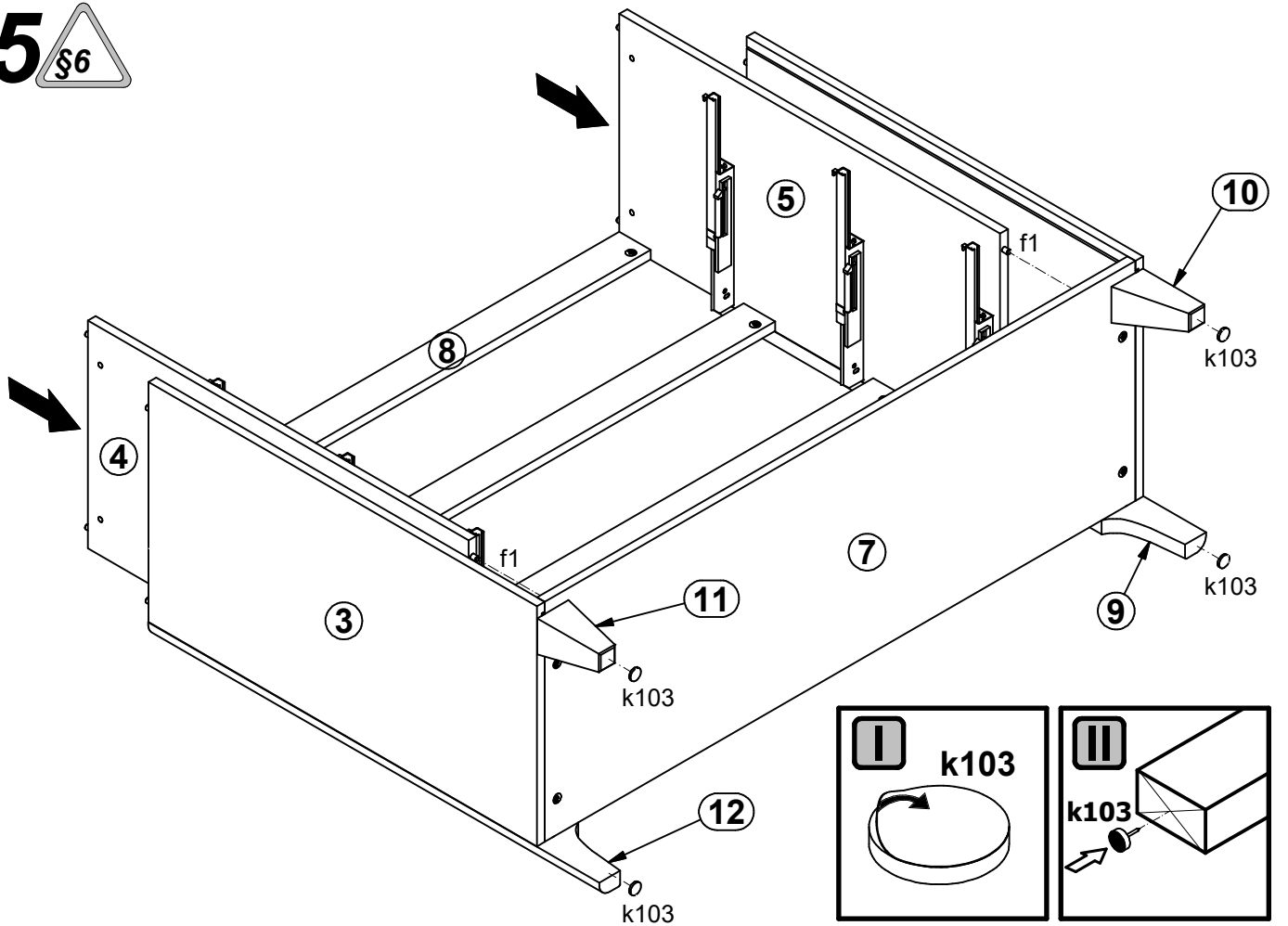
# 3



# 4

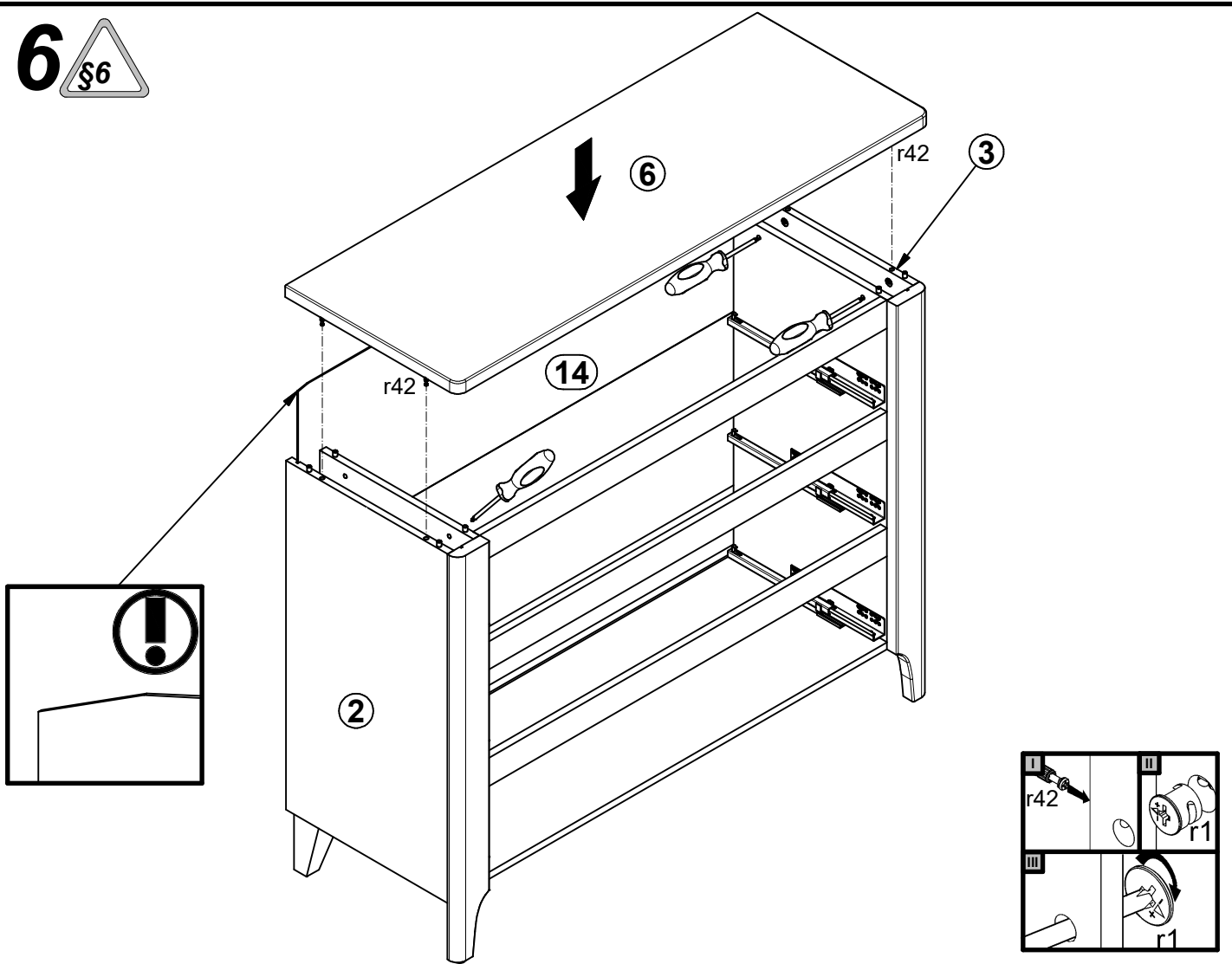


# 5



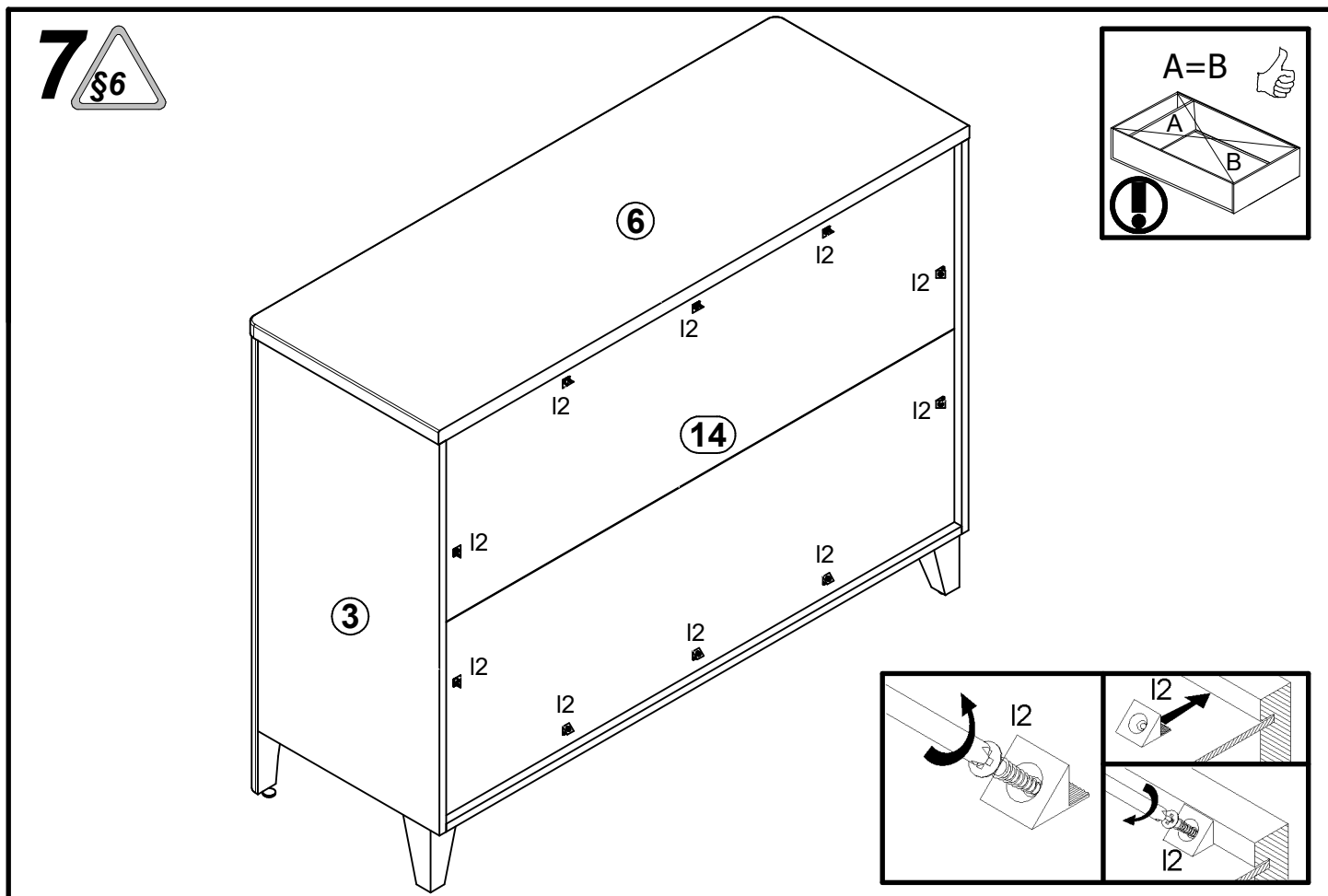
# 6

§6

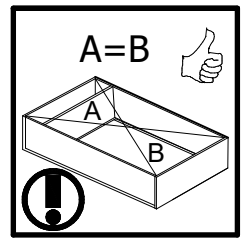


# 7

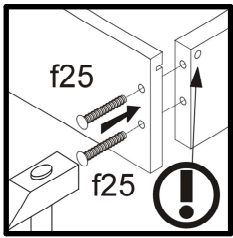
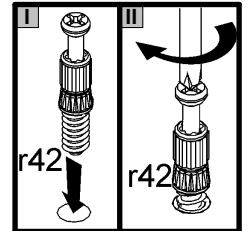
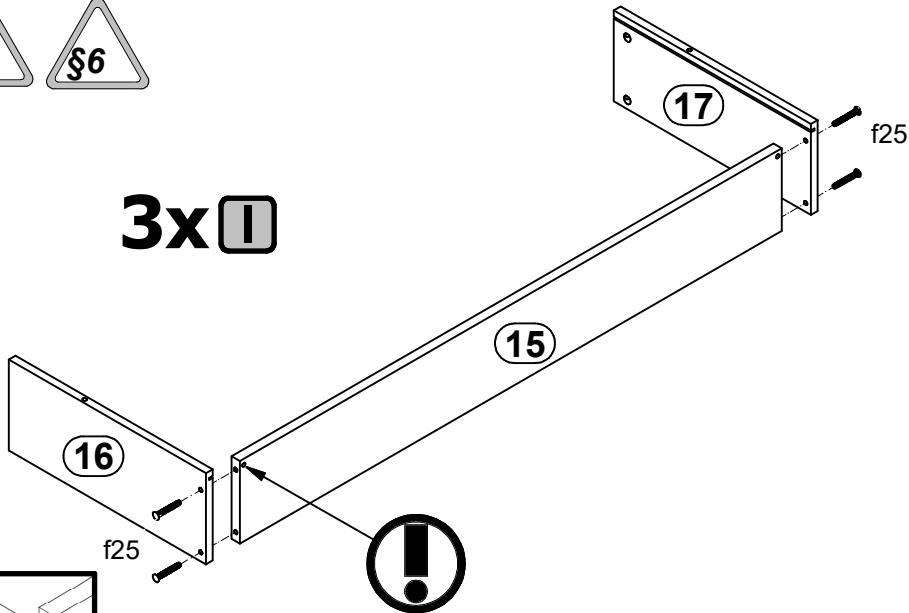
§6



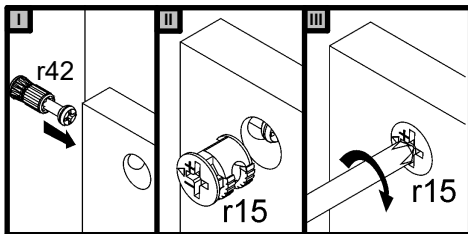
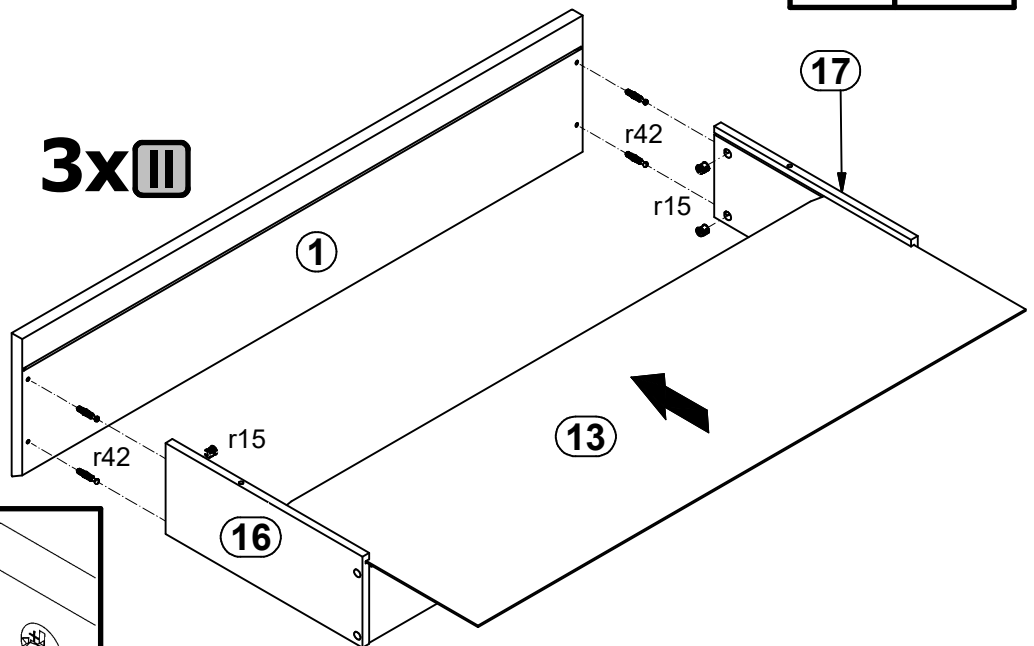
8  



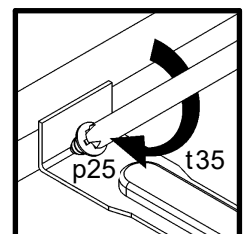
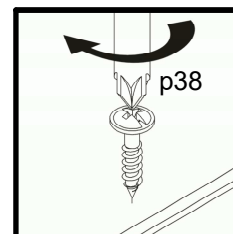
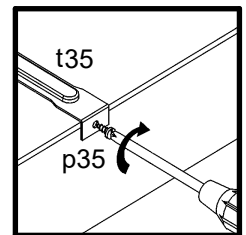
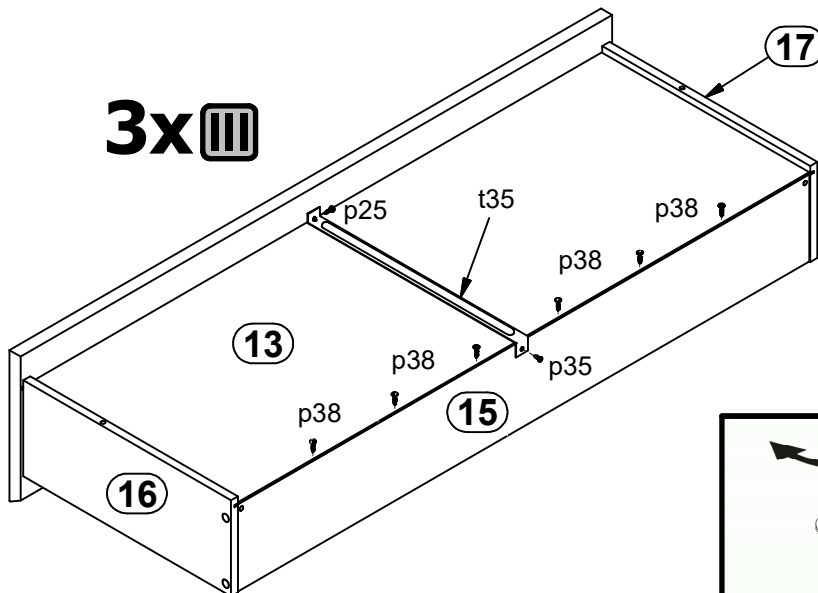
3x 



3x 



3x 



9 §6

