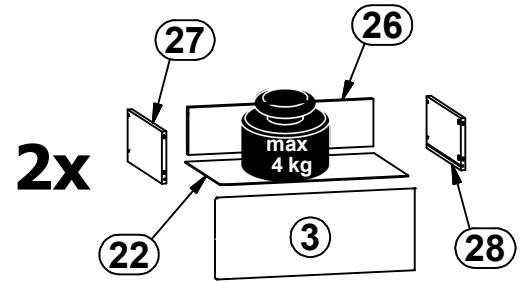
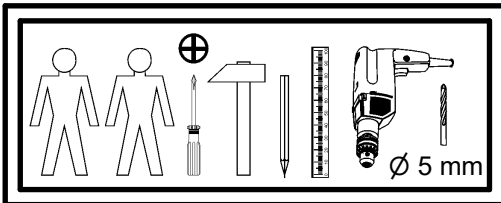
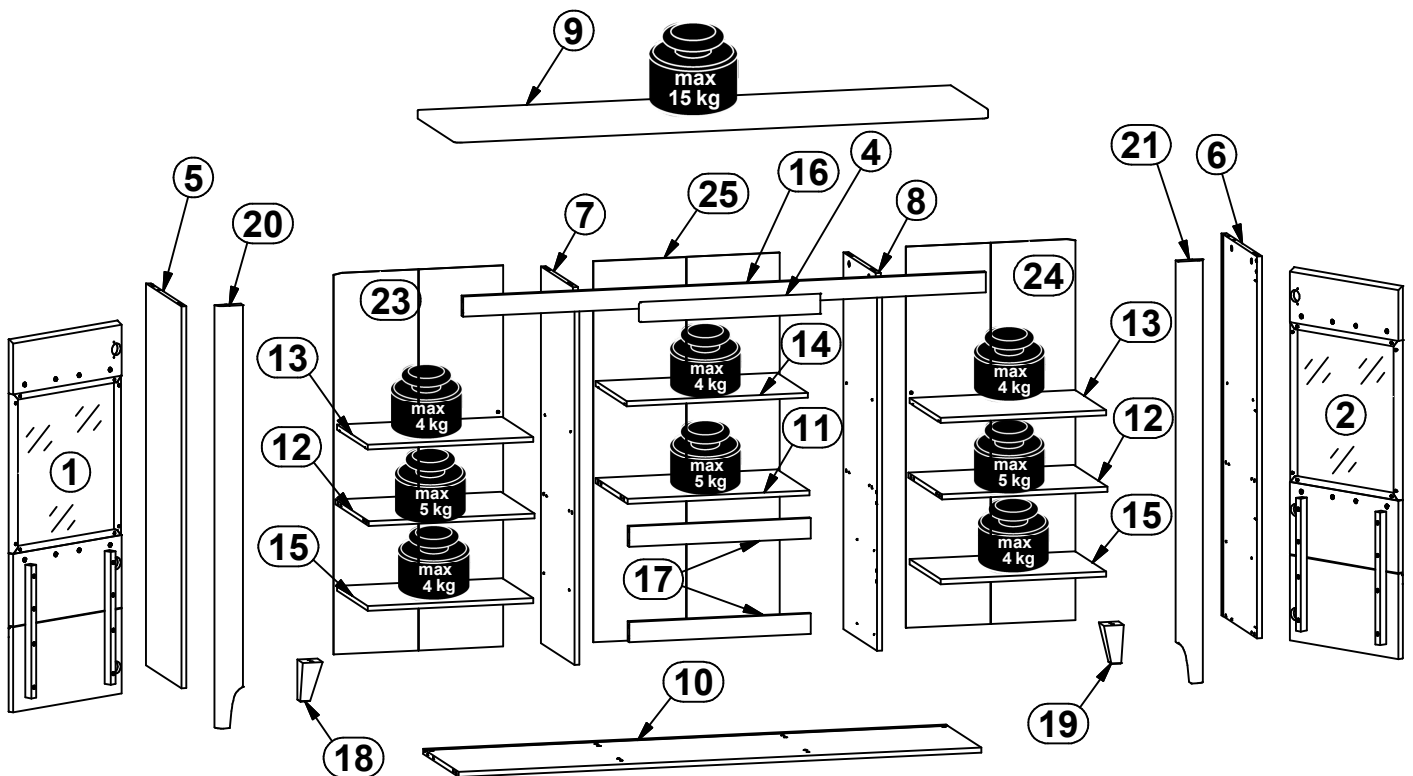
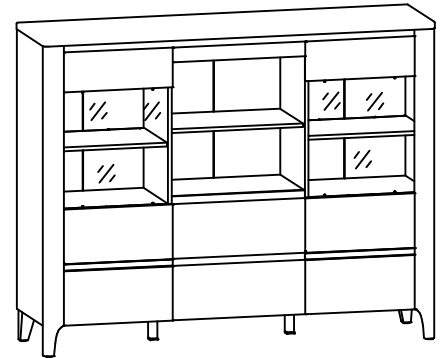
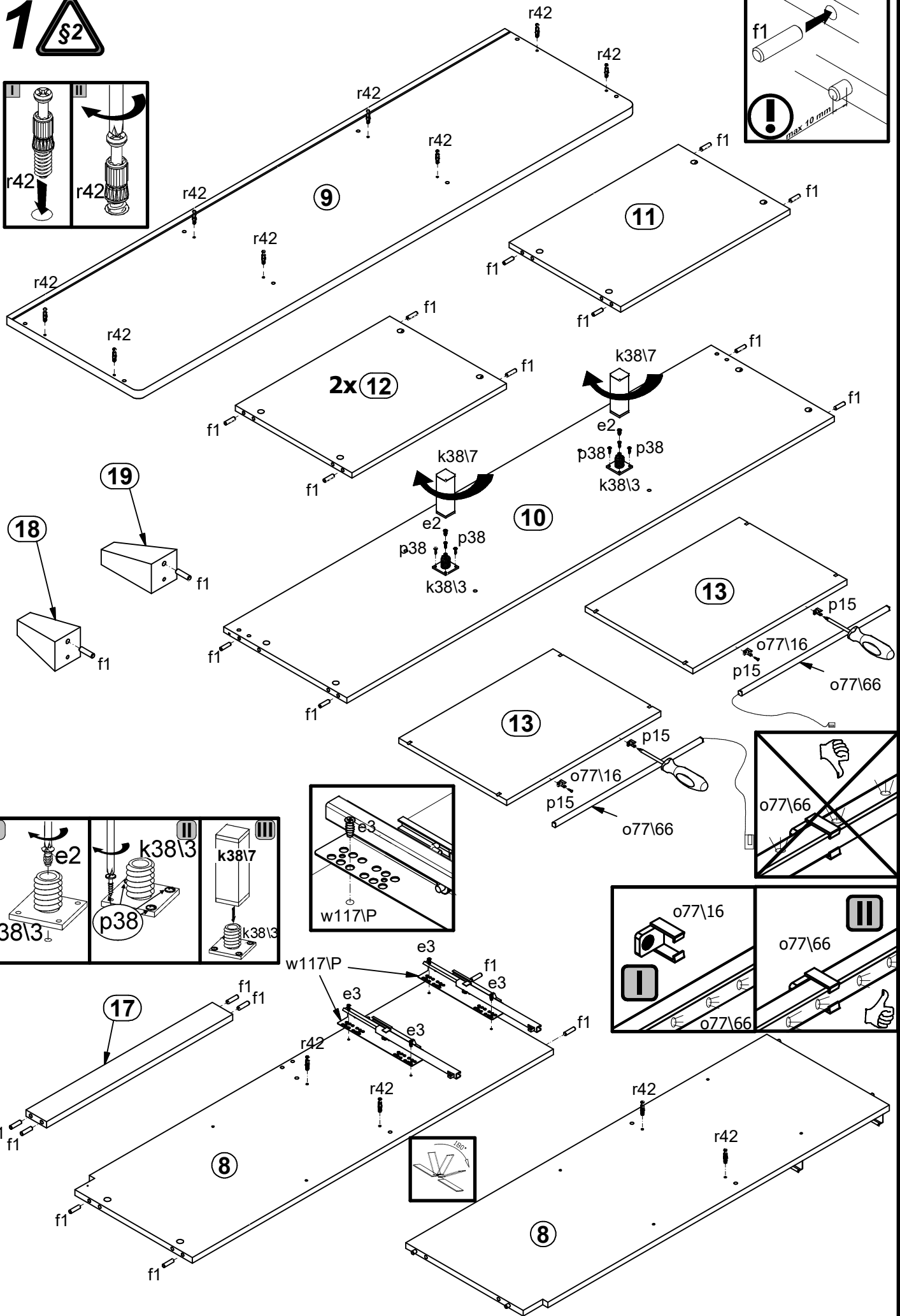
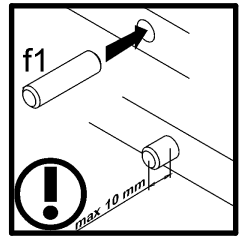
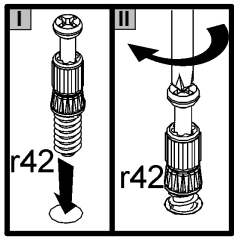


A	B	C	D	A	B	C	D		
1	S472-0013	1100	446	3/3	15	S472-3025	498	348	2/3
2	S472-0014	1100	446	3/3	16	S472-4014	1575	60	2/3
3	S472-0015	542	220	3/3	17	S472-4015	547	60	1/3
4	S472-0016	542	60	3/3	18	S472-5003	120	60	2/3
5	S472-1022	1128	398	1/3	19	S472-5004	120	60	2/3
6	S472-1023	1128	398	1/3	20	S472-5022	1248	80	3/3
7	S472-1024	1113	378	1/3	21	S472-5023	1248	80	3/3
8	S472-1025	1113	378	1/3	22	S472-9007	517	357	3/3
9	S472-2008	1609	425	2/3	23	S472-9307	1126	511	1/3
10	S472-3018	1575	398	2/3	24	S472-9308	1126	511	1/3
11	S472-3019	547	361	2/3	25	S472-9309	1126	561	1/3
12	S472-3020	499	377	2/3	26	ZQ6-5202	507	127	3/3
13	S472-3021	498	348	2/3	27	ZQ6-511	350	140	2/3
14	S472-3022	546	348	2/3	28	ZQ6-512	350	140	2/3

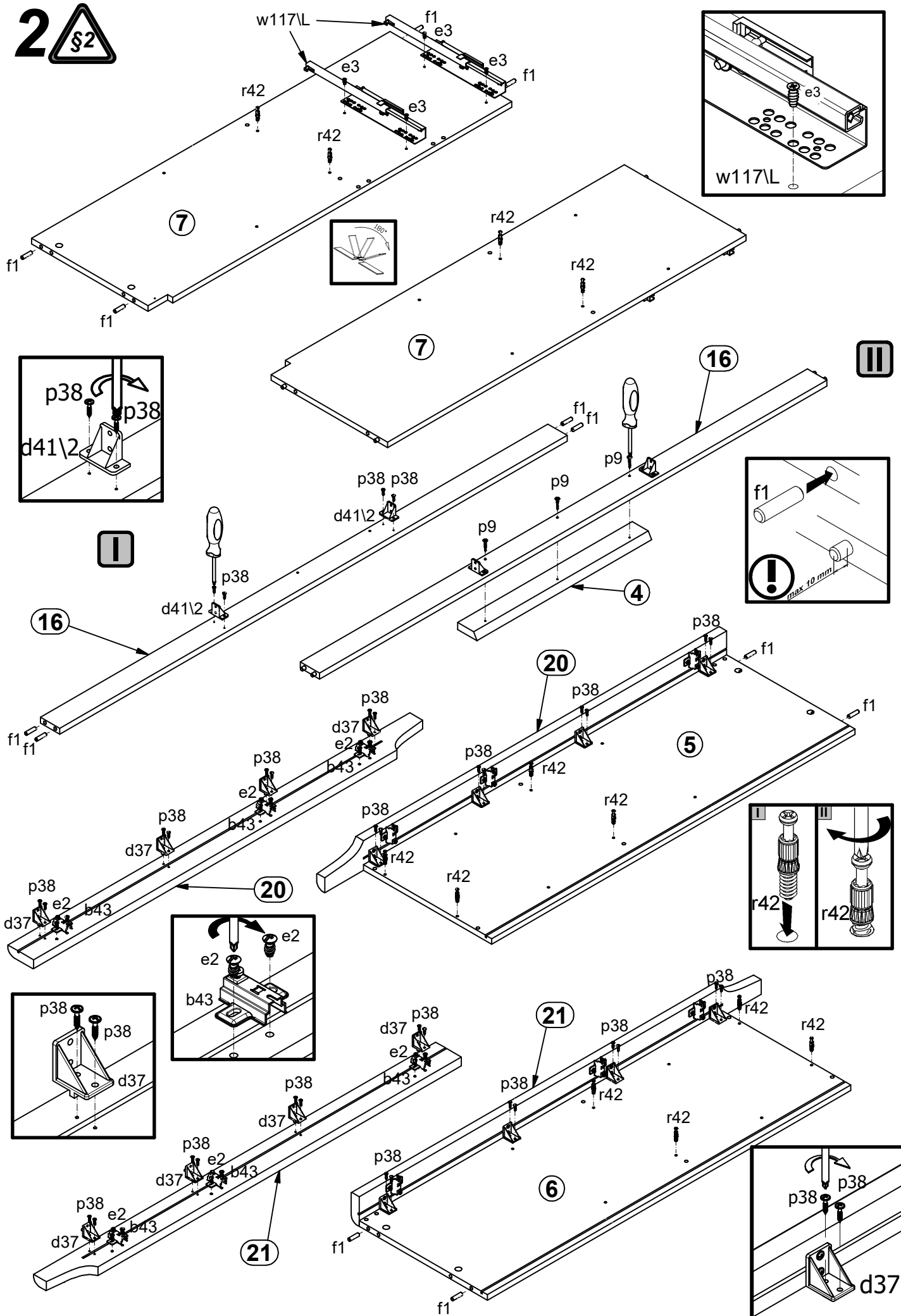


6x a132	2x a133	6x b43	20x Ø5x17 mm d1	8x d37	2x d41/2	6x Ø7x50 mm e1	14x Ø6,3x13 mm e2	8x Ø6x13 mm e3
42x Ø8x30 mm f1	8x Ø6,5x40 mm f25	2x 42,5x42,5x4 mm k38/3	2x 30x30x108 mm k38/7	4x Ø20x3mm k103	12x l2	10x 22x9,5x20,7 mm n108	3x Ø4x30 mm p9	4x Ø2,5x13 mm p15
56x Ø3,5x16 mm p38	12x Ø3,5x15 mm p51	23x Ø2,9x16 mm p55	24x Ø15x12 mm #16 r1	8x Ø12x10,5 mm #12 r15	32x 20/11 r42	2x 350 mm W117/L w117/L	2x 350 mm W117/P w117/P	24x Ø 20mm s68
1x 4 mm z1	1x 3P 3W 070/17	4x 077/16	2x 10x10 mm L=475 mm 077/66			1x n26	1x Ø3,5x16 mm p38	

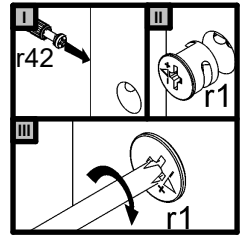
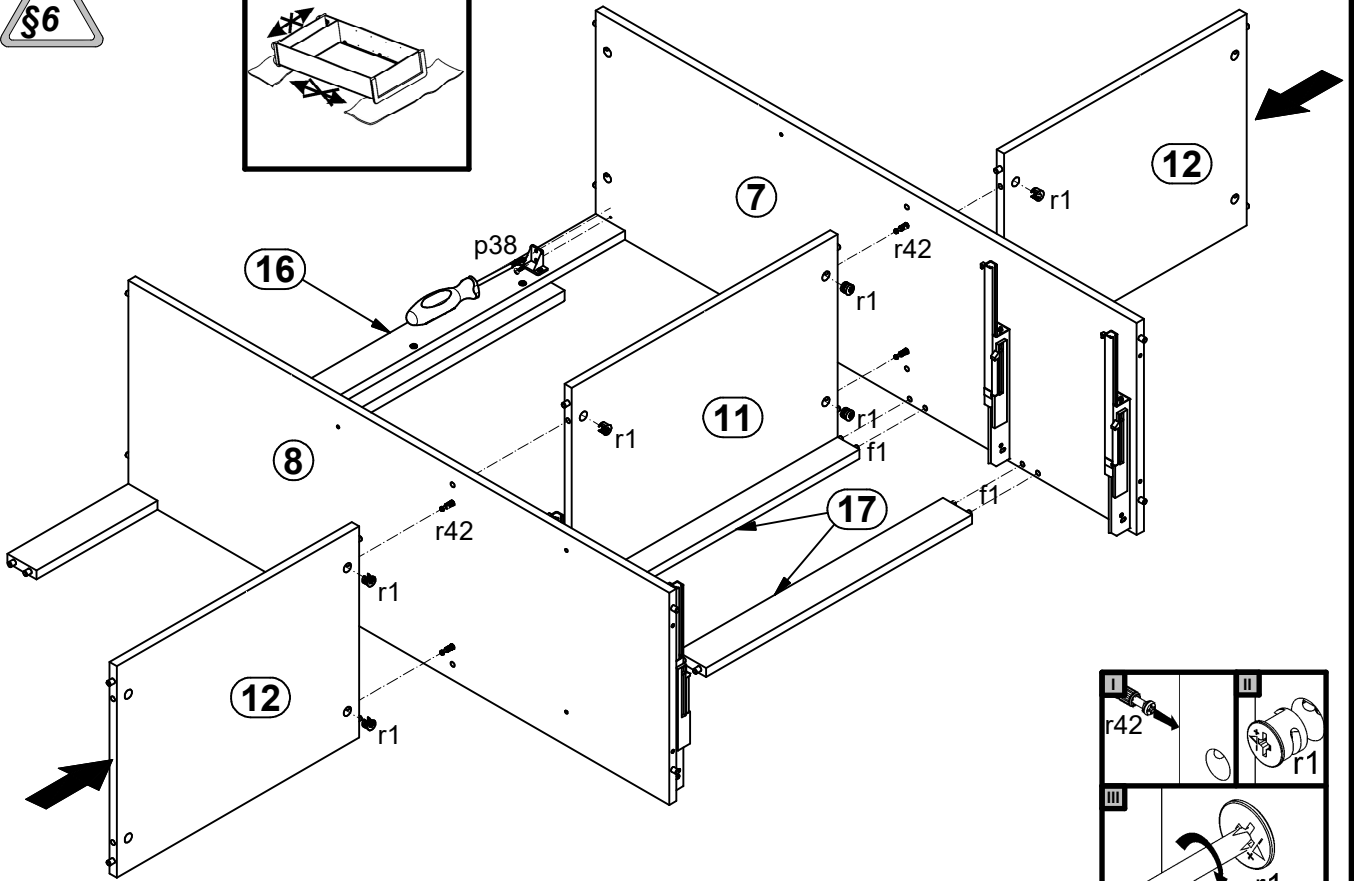
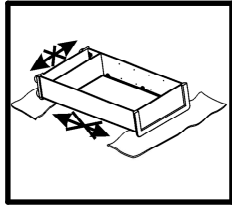
1  §2



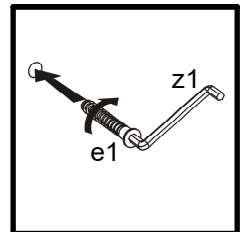
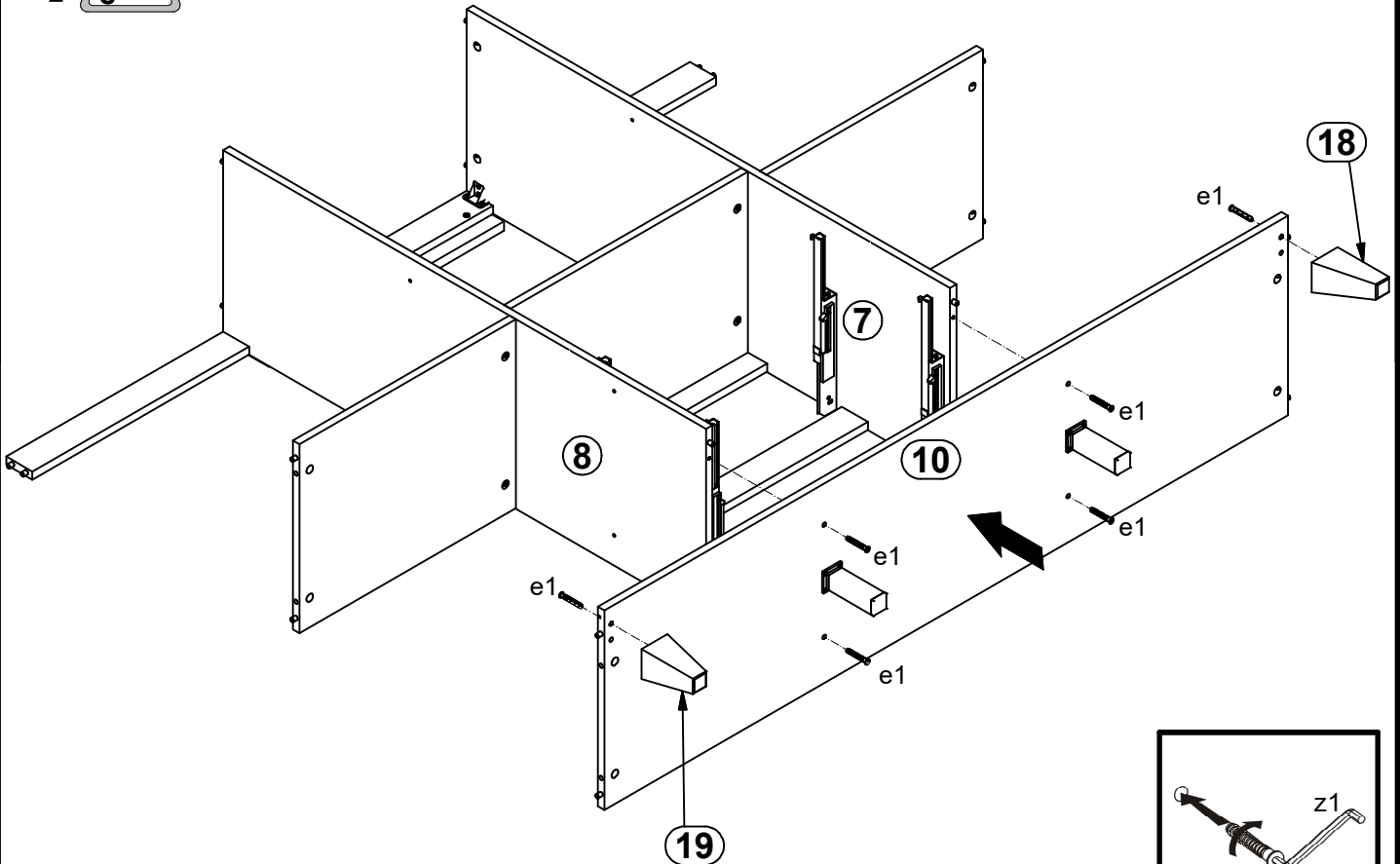
2 



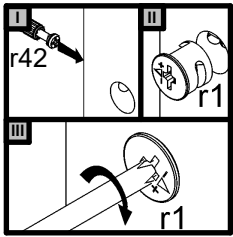
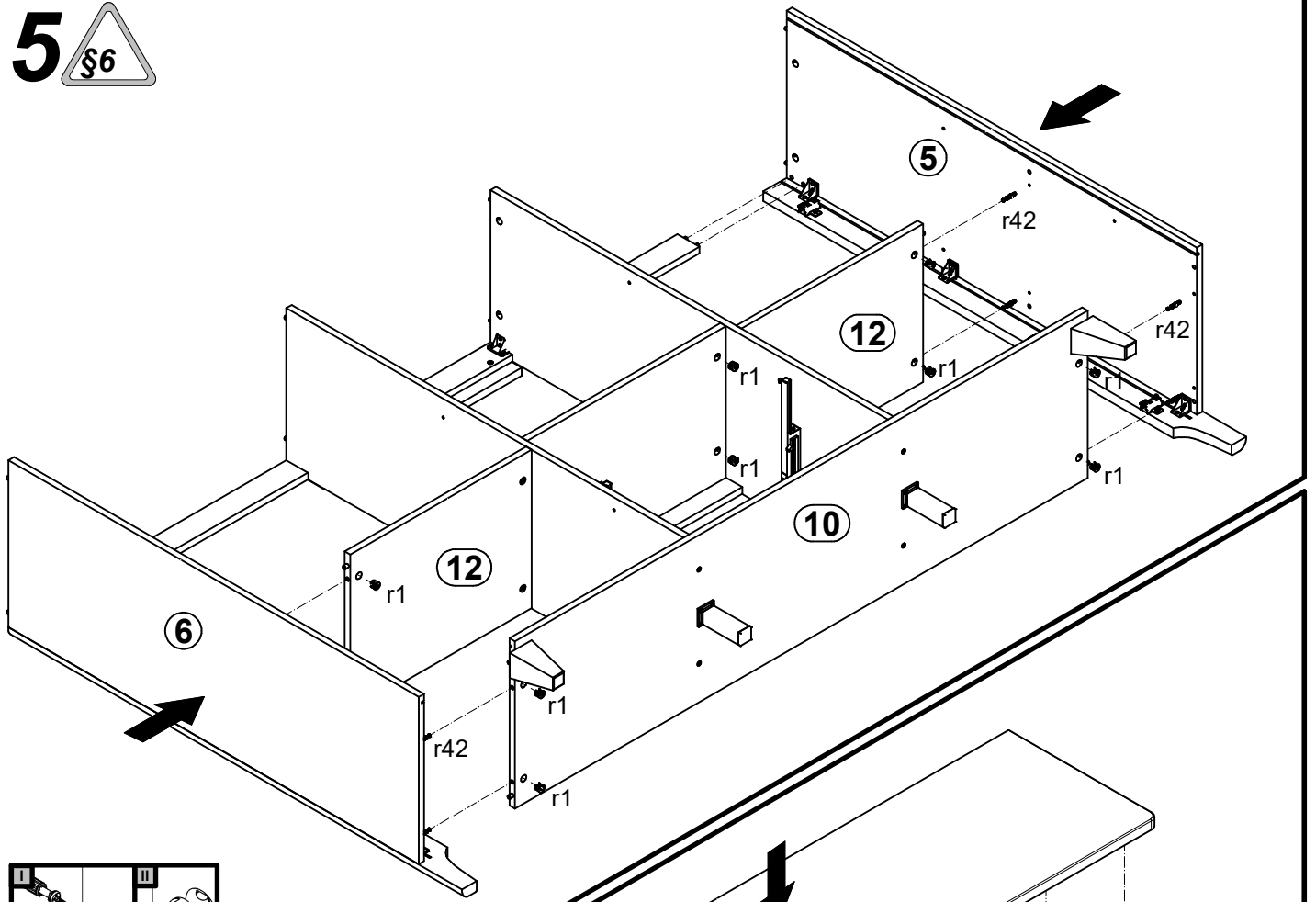
3 §6



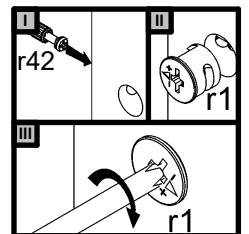
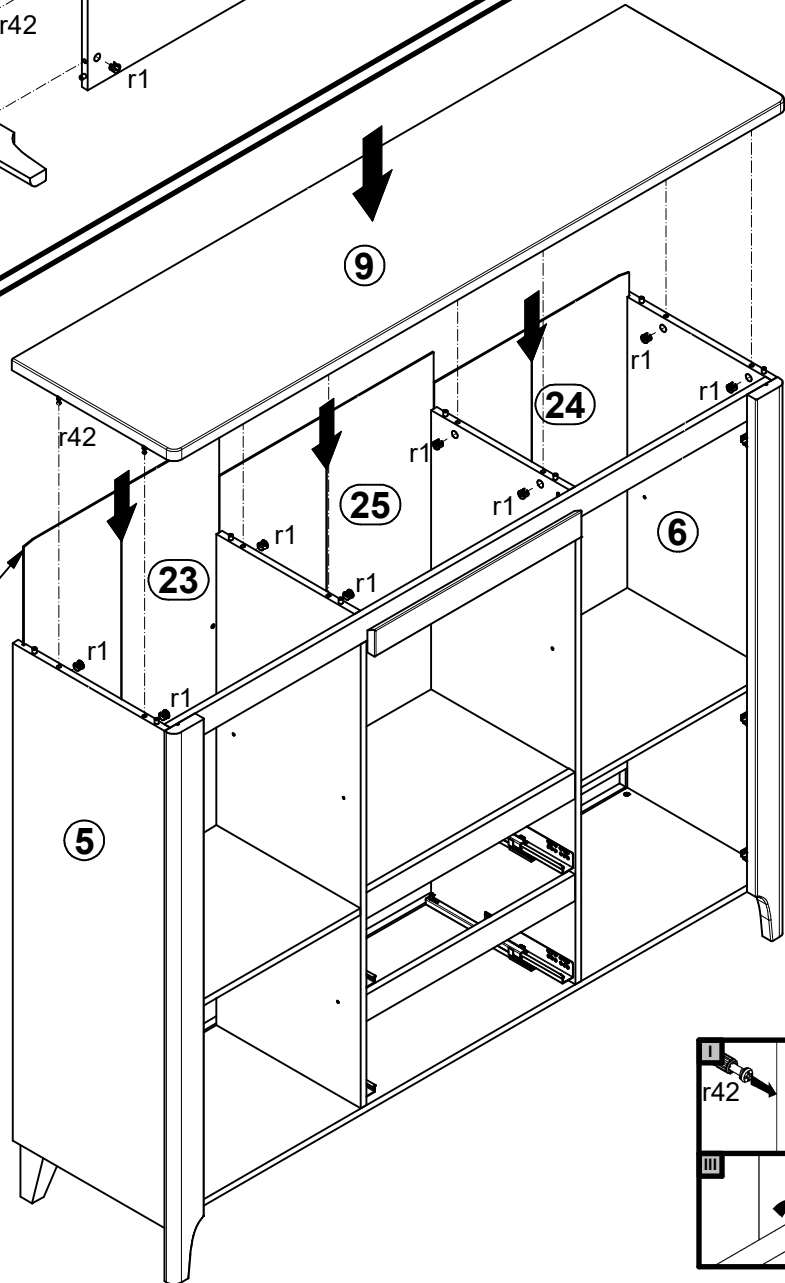
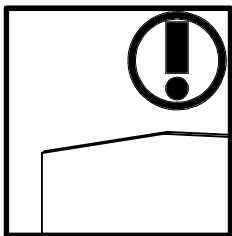
4 §6



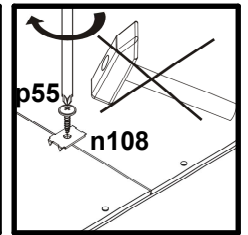
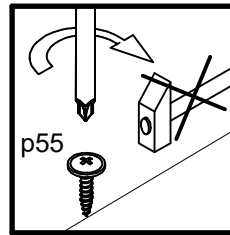
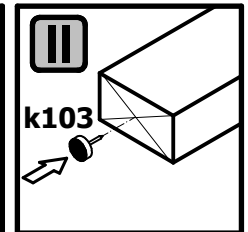
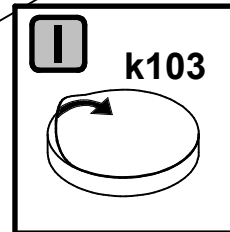
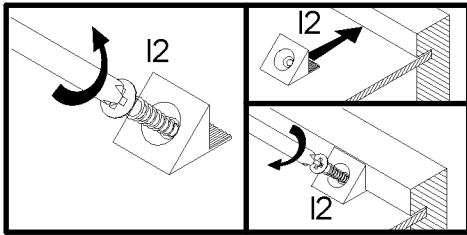
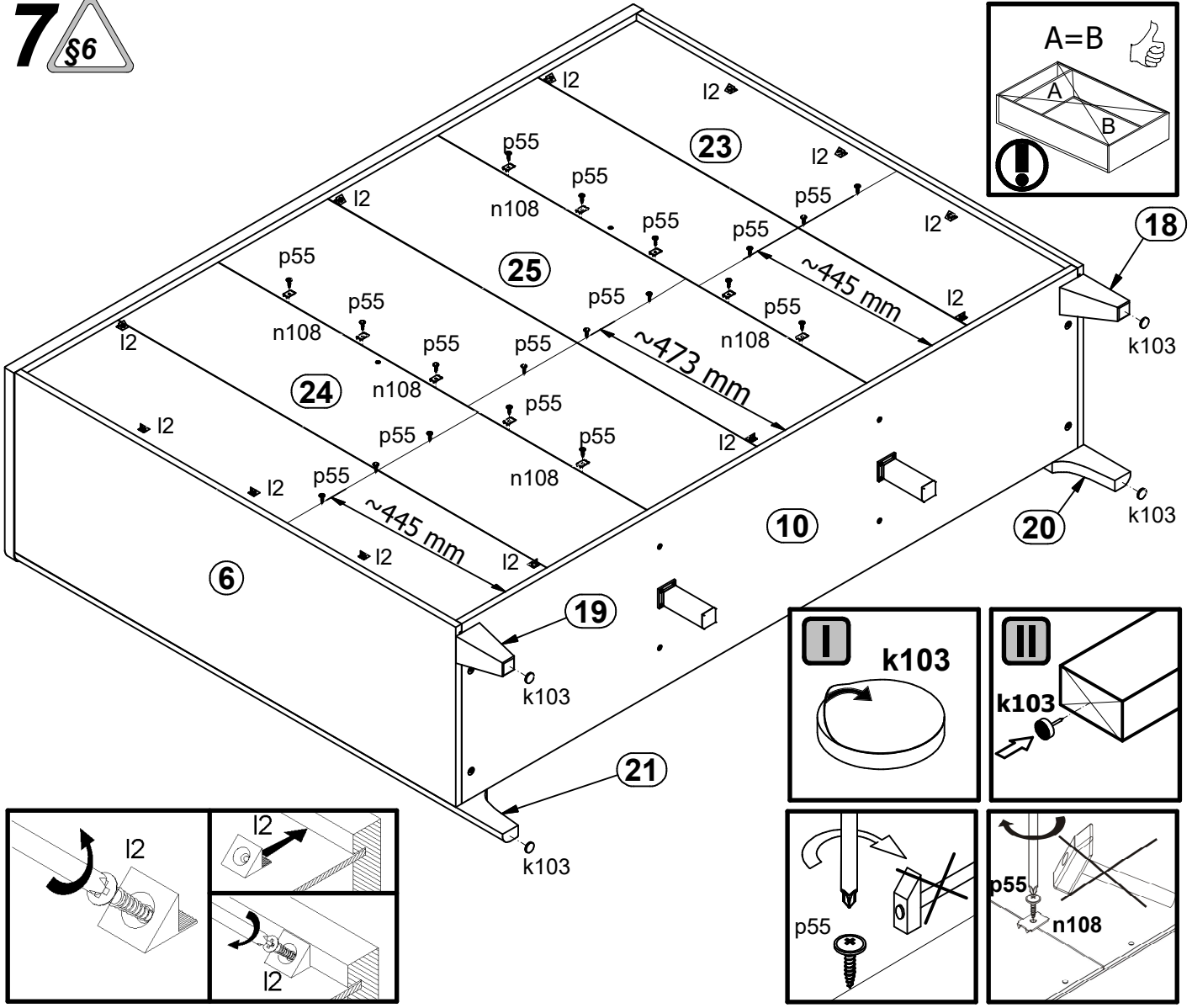
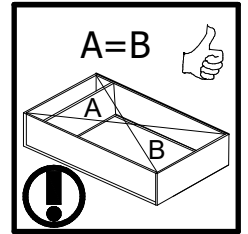
5



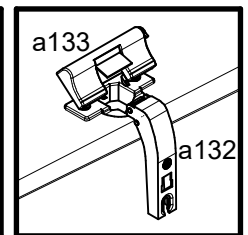
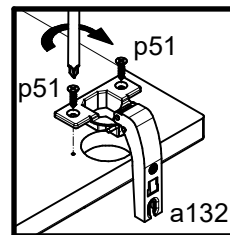
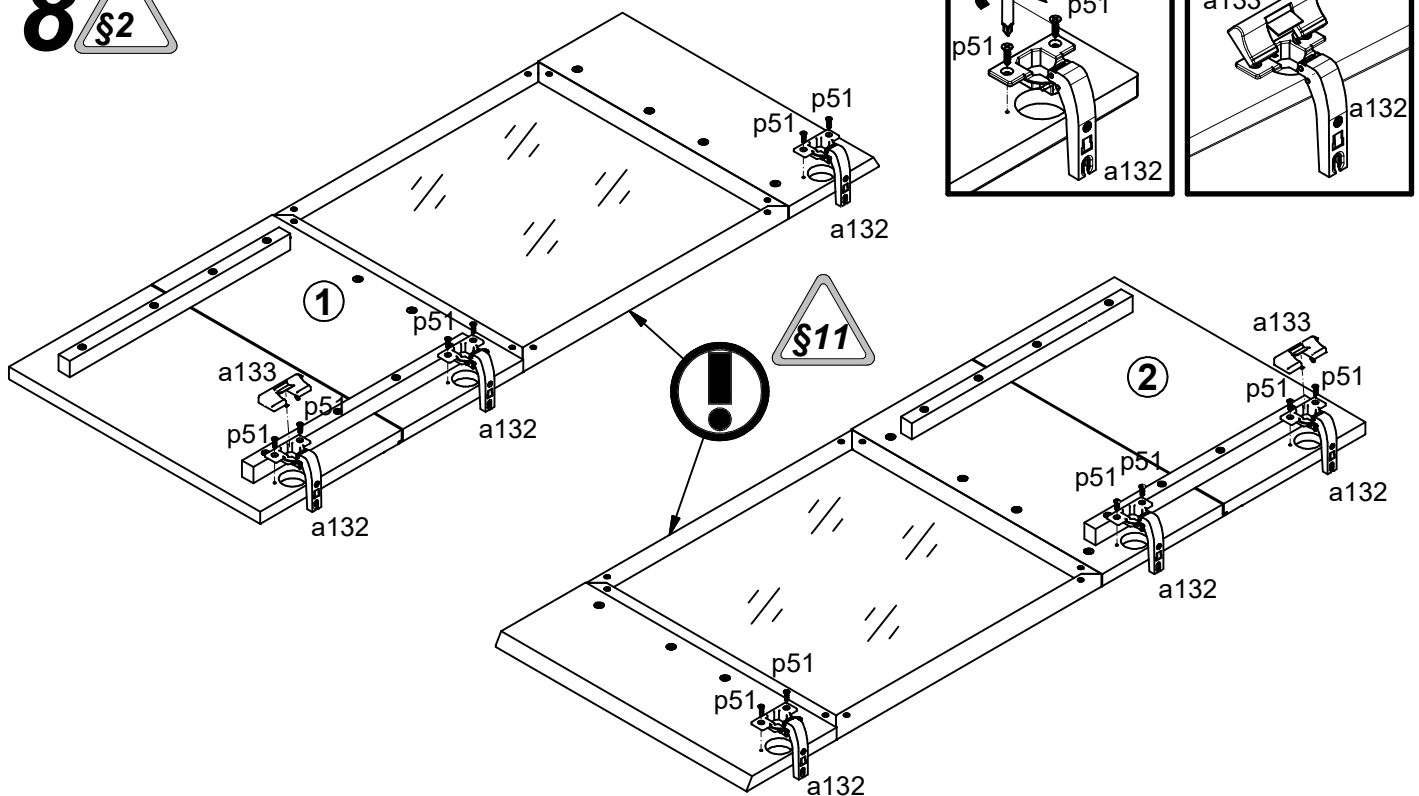
6



7 §6

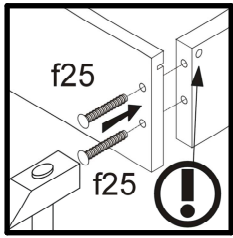
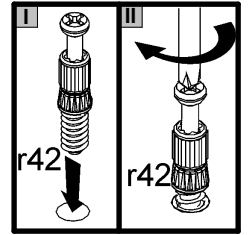
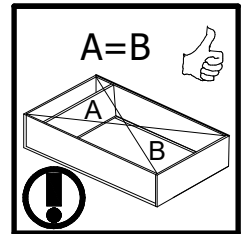
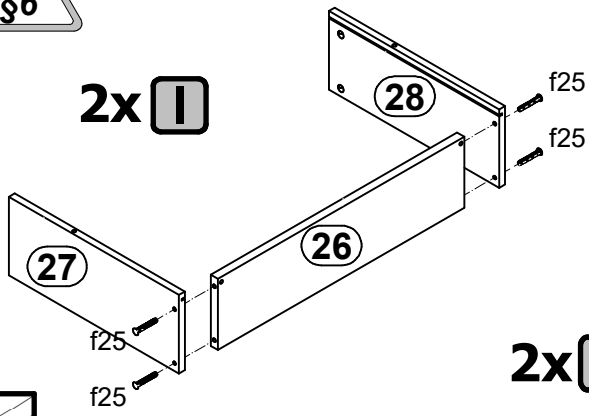


8 §2

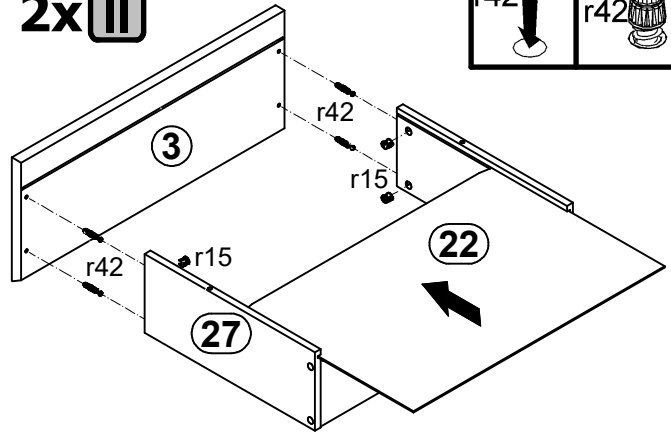


9  

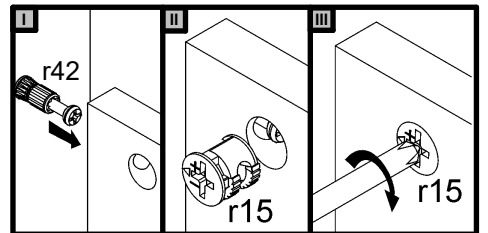
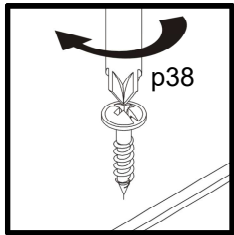
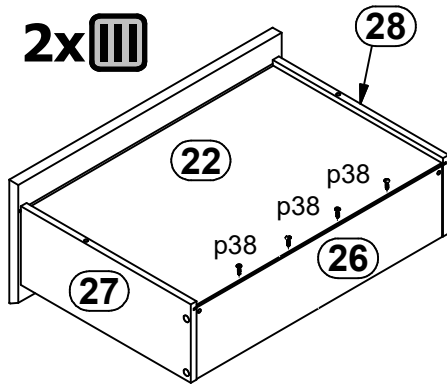
2x I



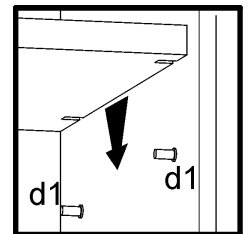
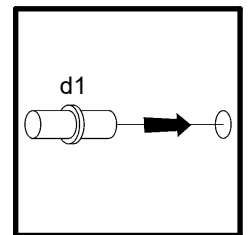
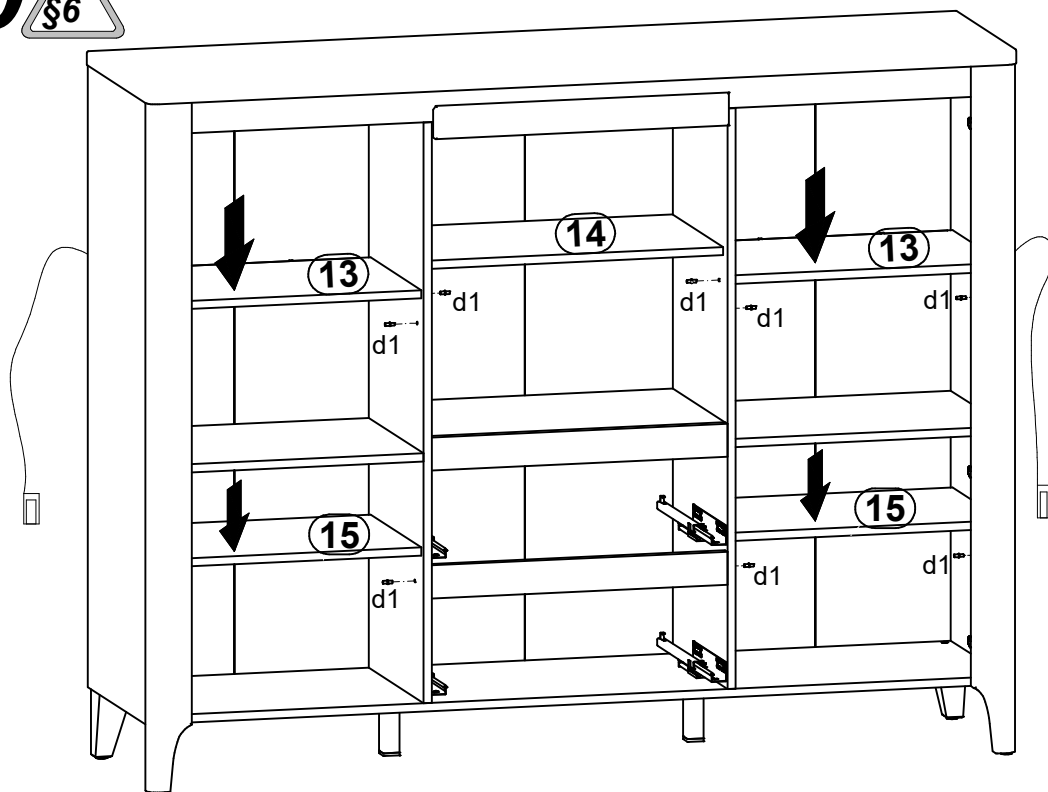
2x II



2x III



10 



11

