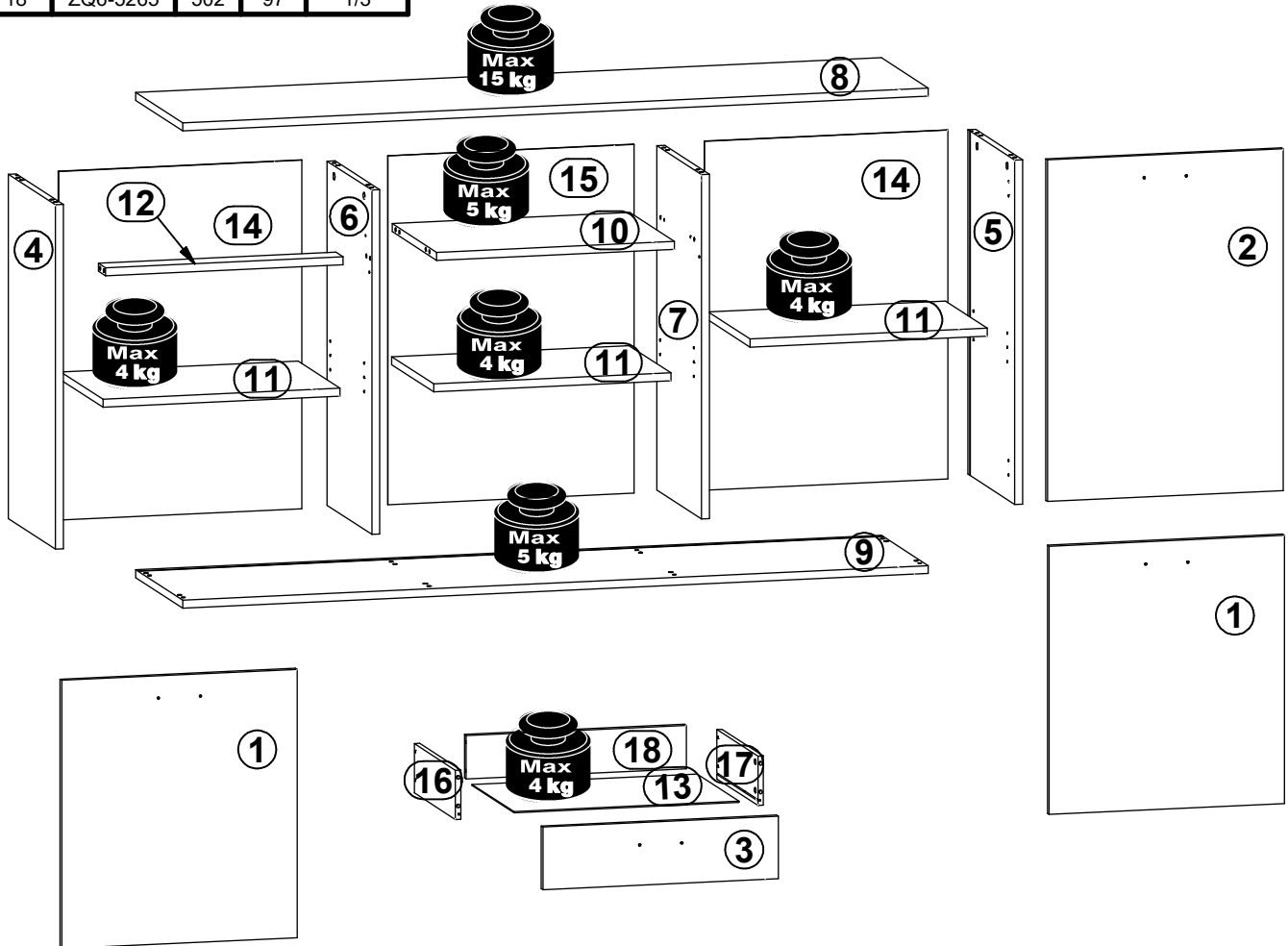
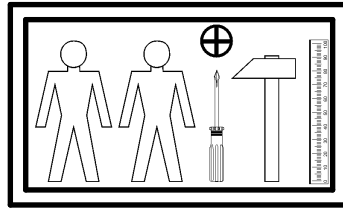
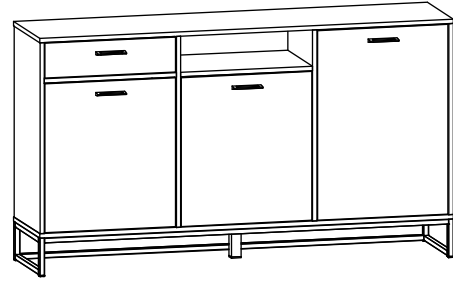
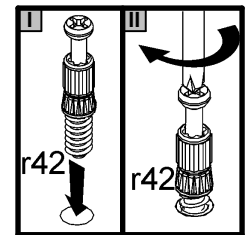
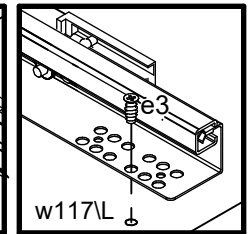
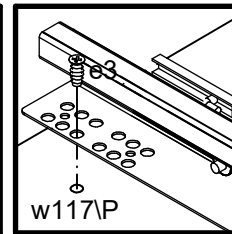
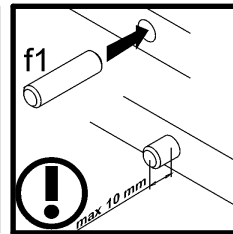
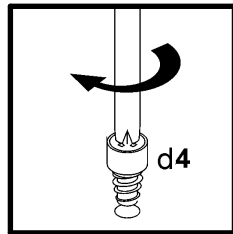
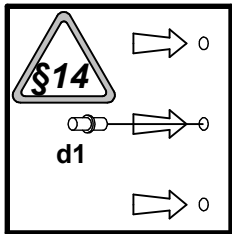
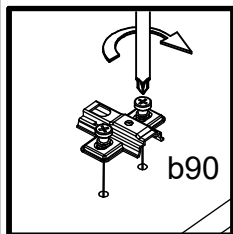
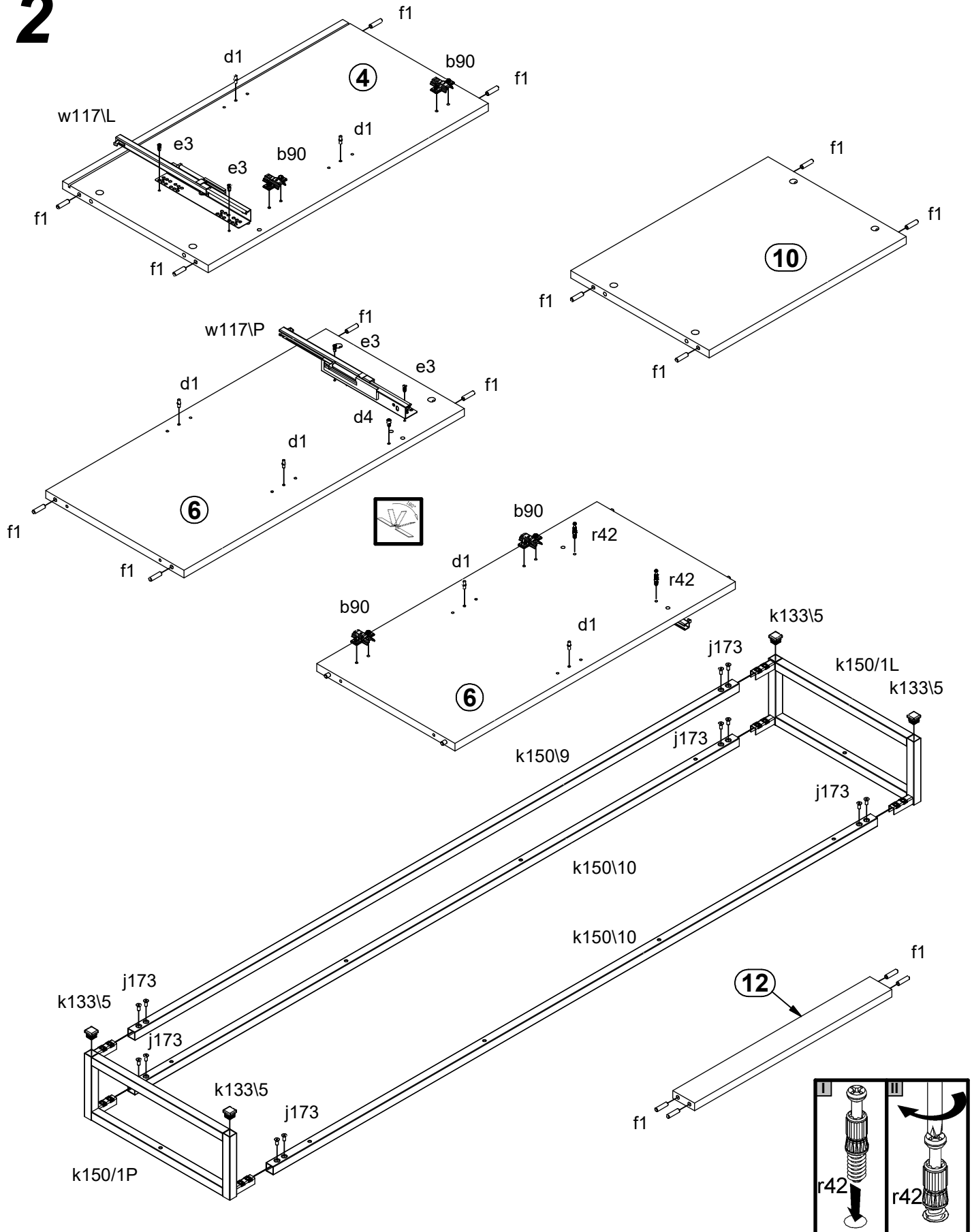


A	B	C	D	
1	S489-0002	537	600	1/3
2	S489-0003	537	764	1/3
3	S489-0011	537	140	1/3
4	S489-1003	770	400	2/3
5	S489-1004	770	400	2/3
6	S489-1005	770	380	2/3
7	S489-1006	770	380	2/3
8	S489-2003	1700	400	2/3
9	S489-2004	1700	400	2/3
10	S489-3002	542	380	1/3
11	S489-3003	541	356	1/3
12	S489-4001	542	60	1/3
13	S489-9003	513	357	1/3
14	S489-9013	780	555	1/3
15	S489-9014	780	561	1/3
16	ZQ6-519	350	110	2/3
17	ZQ6-520	350	110	2/3
18	ZQ6-5265	502	97	1/3

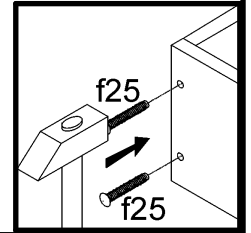
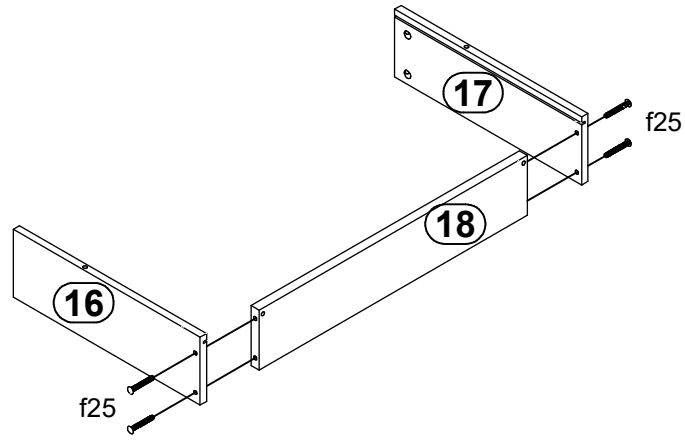


3x hamulec a203	3x a210	6x b90	4x 96mm c556/1	12x Ø5x17 mm d1	3x Ø6.3x15 mm d4	8x Ø7x50 mm e1	10x Ø6x30 mm e16	4x Ø6x13 mm e3
24x Ø8x30 mm f1	4x Ø6.5x40 mm f25	12x M5x12 mm j173	8x M4x22 mm j30	4x 20x20 k133/5	2x L-1660 k150/10	1x L-1660 k150/9	10x i2	8x 22x9.5x20.7 mm n108
8x Ø3.5x16 mm p38	12x Ø3.5x15 mm p51	10x Ø2.9x16 mm p55	12x Ø15x12 mm #16 r1	4x Ø12x10.5 mm #12 r15	16x 20/11 r42	1x 350 mm W117/L	1x 350 mm W117/P	4x Ø 20mm s68
1x 4 mm z1	1x 3 mm z22	1x n26/1	1x Ø3.5x16 mm p38	1x L-400 k150/1L	1x L-400 k150/1P	1x 46x42/3 k148/1	1x 40x40/144 k148/3	

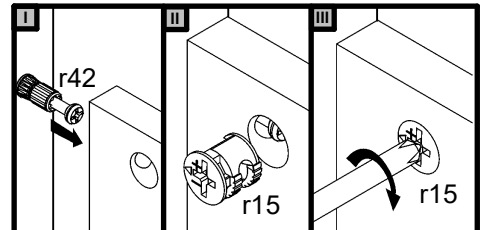
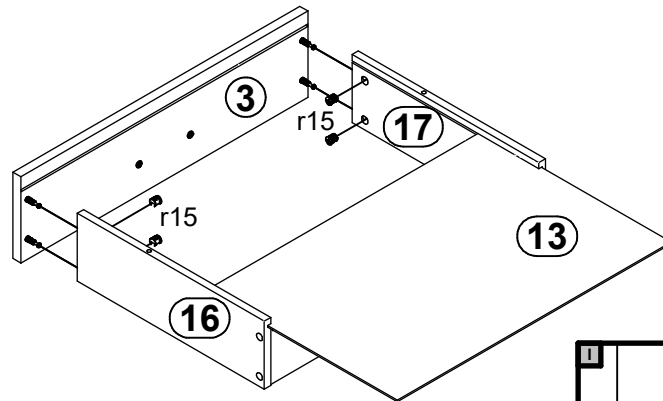
2



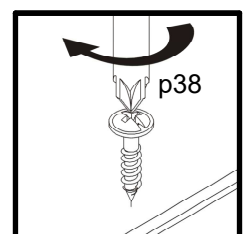
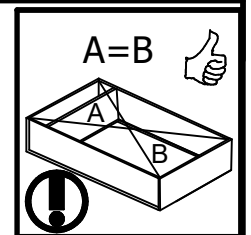
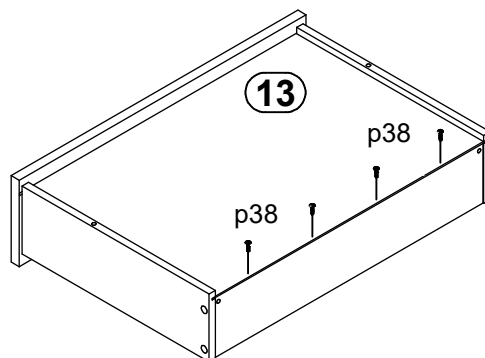
3



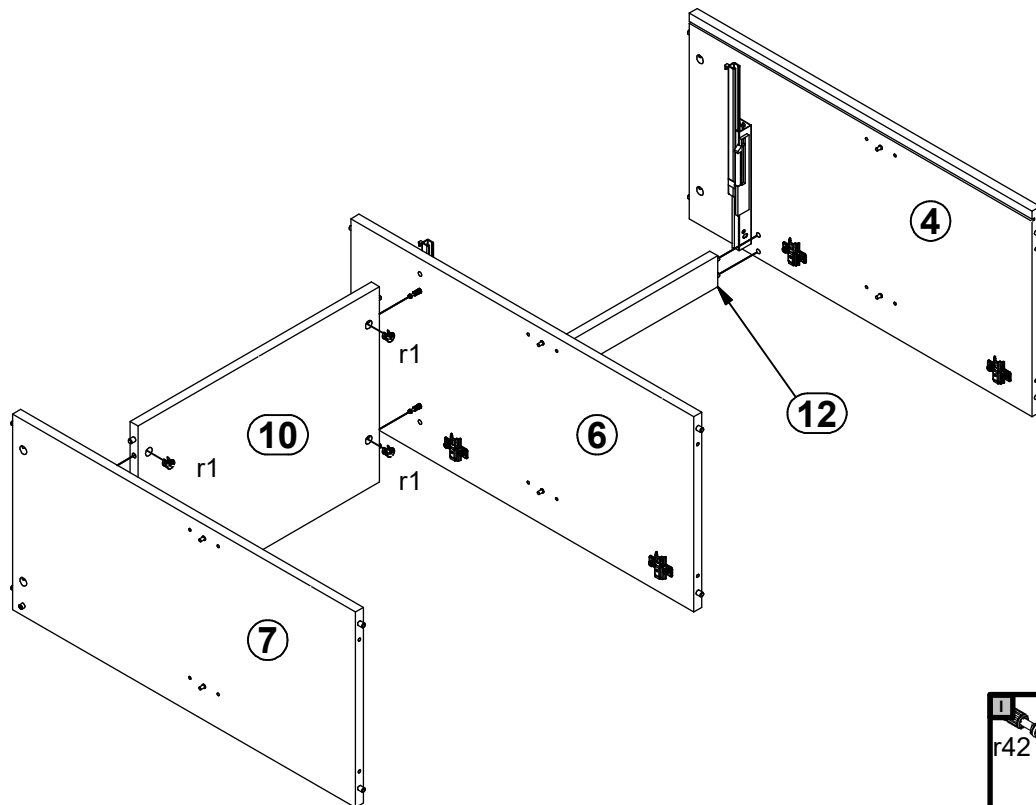
4



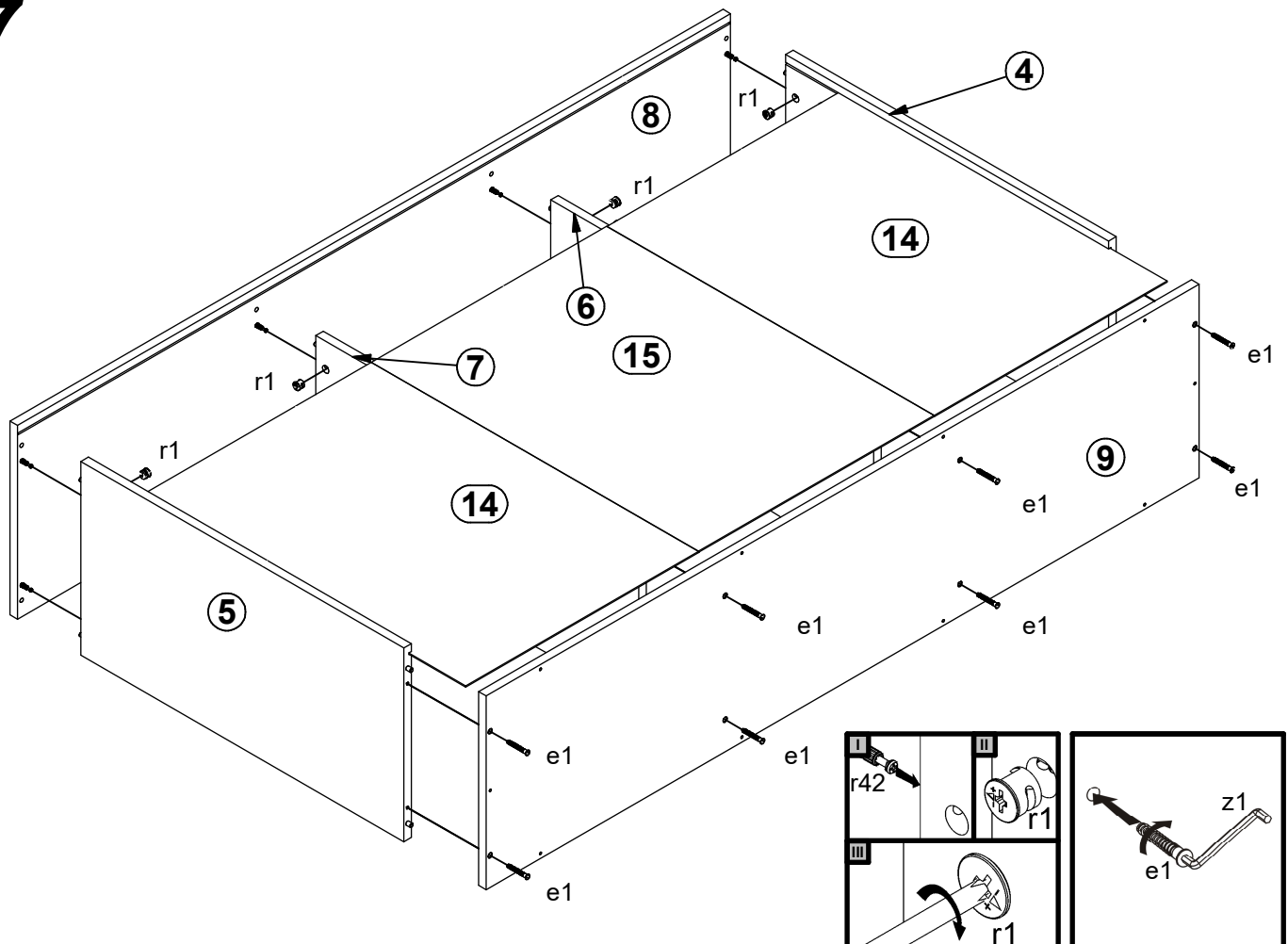
5



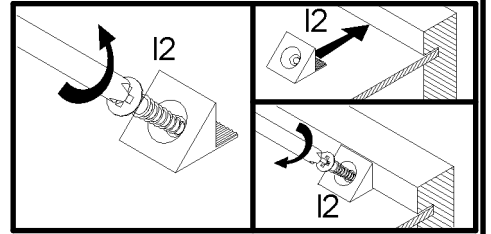
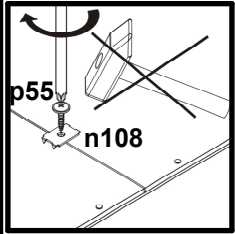
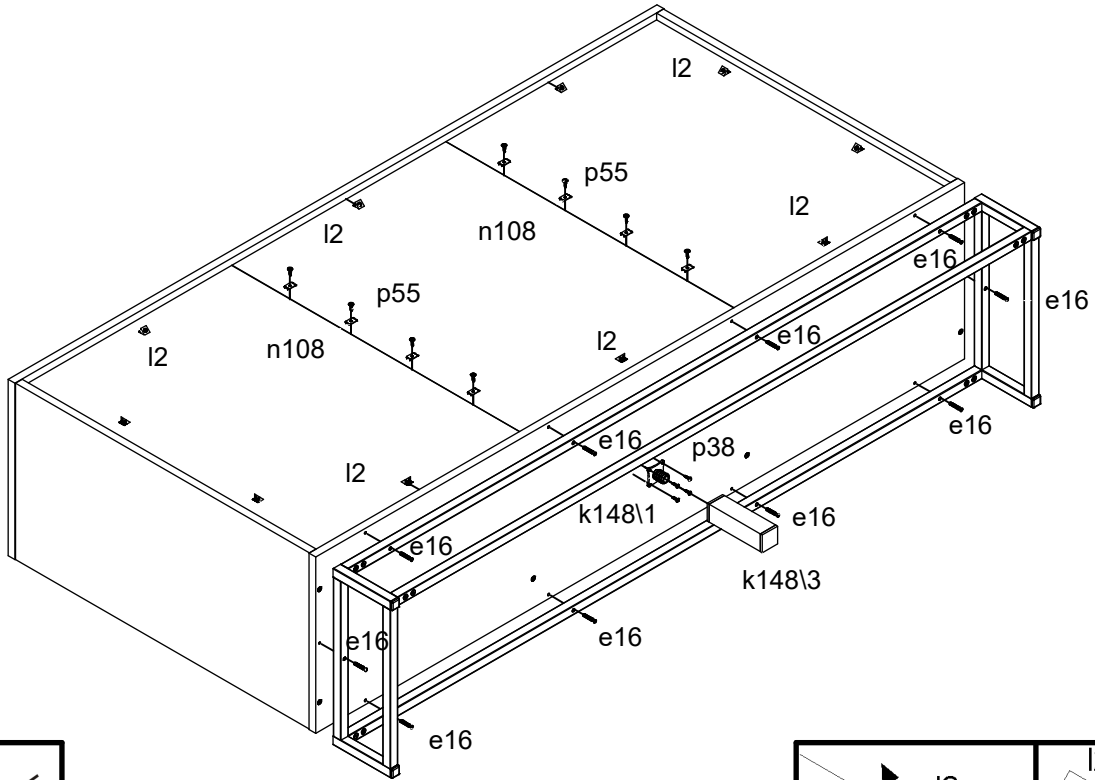
6



7



8



9

