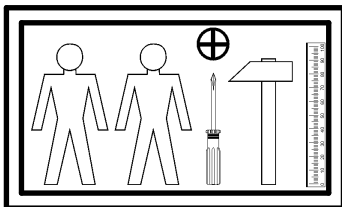
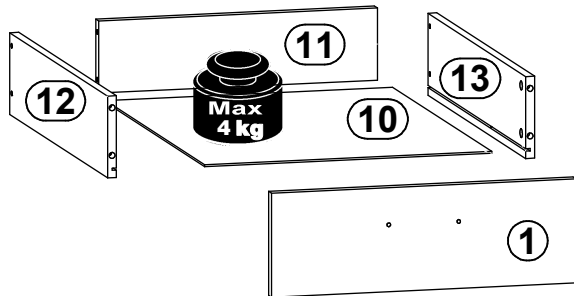
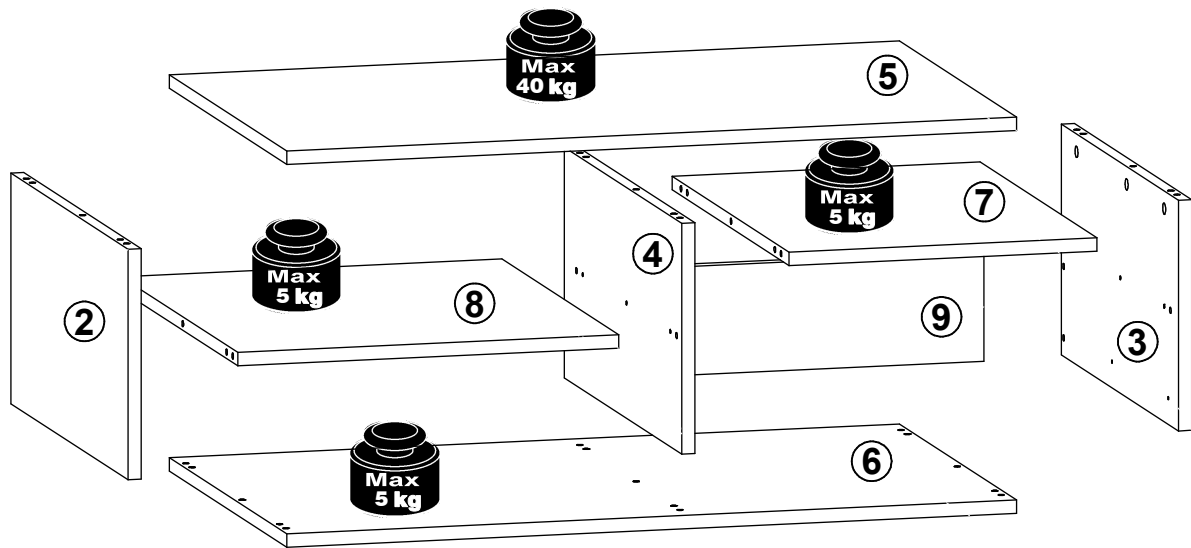
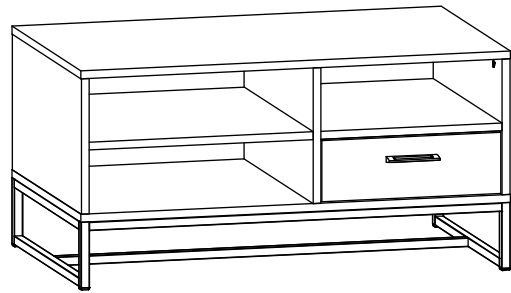
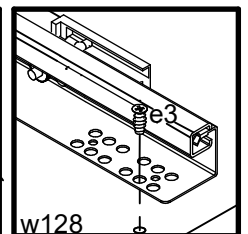
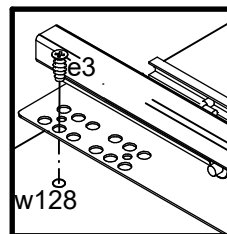
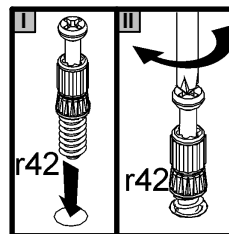
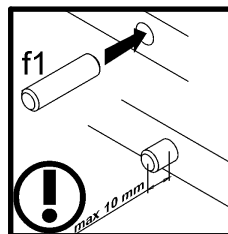
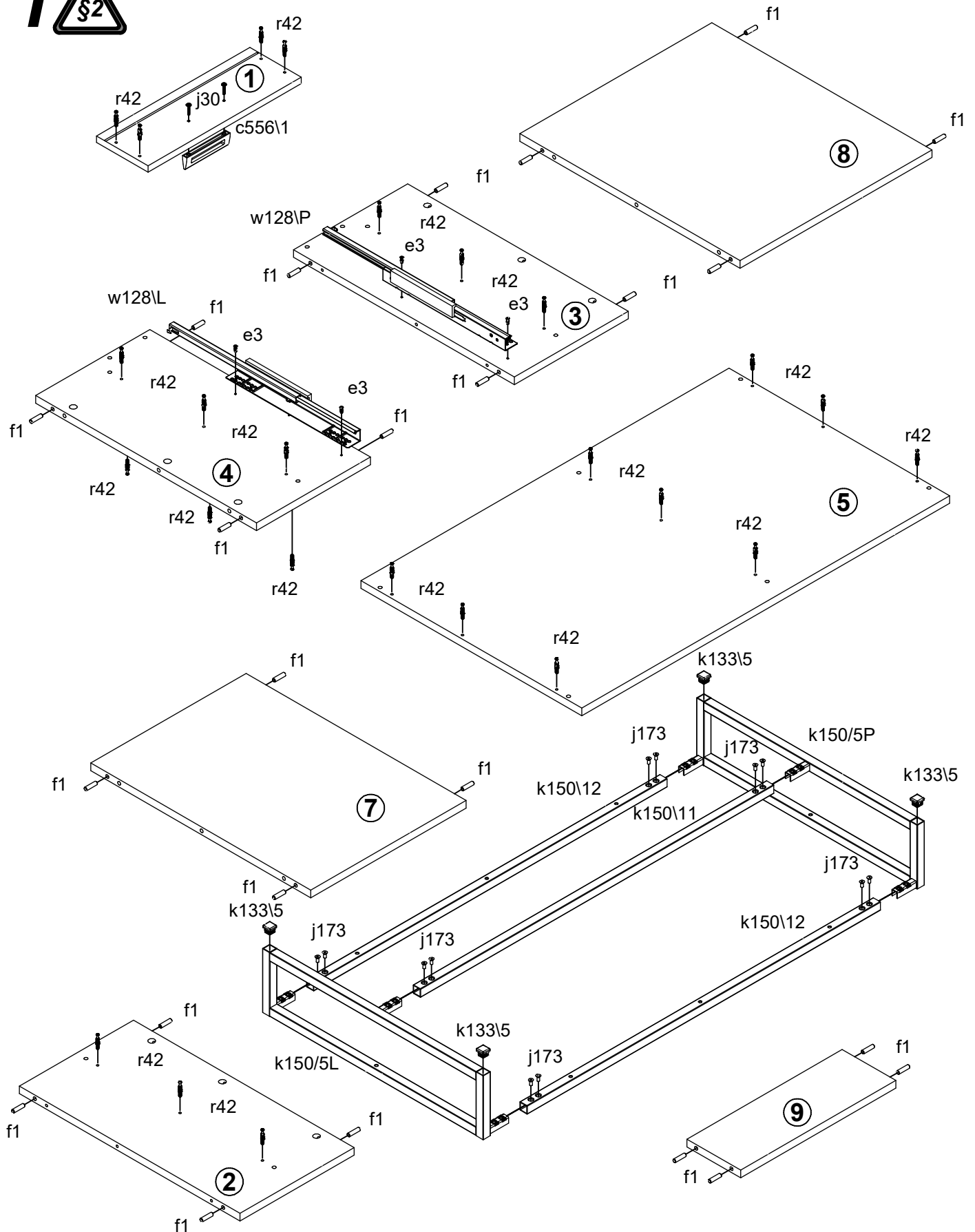


A	B	C	D
1	S489-0016	417	140
2	S489-1027	310	600
3	S489-1028	310	600
4	S489-1029	310	600
5	S489-2013	1000	600
6	S489-2014	1000	600
7	S489-3013	422	598
8	S489-3014	522	598
9	S489-4007	422	146
10	S489-9011	393	507
11	ZQ6-5009	382	97
12	ZQ6-523	500	110
13	ZQ6-524	500	110

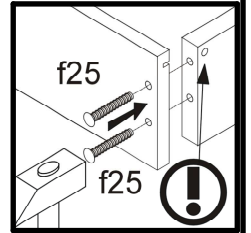
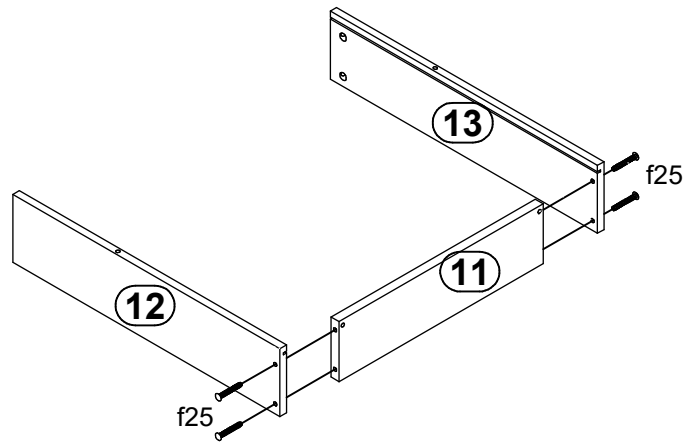


1x 96mm <b>c556</b>	9x Ø7x50 mm <b>e1</b>	4x Ø6x13 mm <b>e3</b>	24x Ø8x30 mm <b>f1</b>	4x Ø6.5x40 mm <b>f25</b>	2x M4x22 mm <b>j30</b>	3x Ø3.5x16 mm <b>p38</b>	2x Ø2.9x16 mm <b>p55</b>	21x Ø15x12 mm #16 <b>r1</b>
4x Ø12x10.5 mm #12 <b>r15</b>	25x 20/11 <b>r42</b>	1x 500 mm <b>w128</b>	1x 500 mm <b>w128</b>	4x 20x20 <b>k133</b>	1x L-960 <b>k150</b>	2x L-960 <b>k150</b>	9x Ø 20mm <b>s68</b>	1x 4 mm <b>z1</b>
1x 3 mm <b>z22</b>	1x L-600 <b>k150</b>	1x L-600 <b>k150</b>	8x Ø6x30 mm <b>e16</b>	12x M5x12 mm <b>j173</b>				

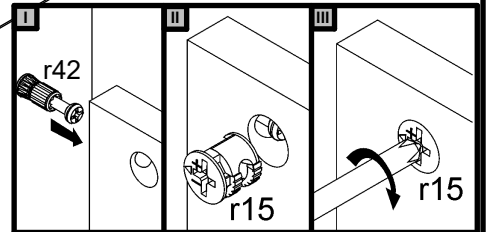
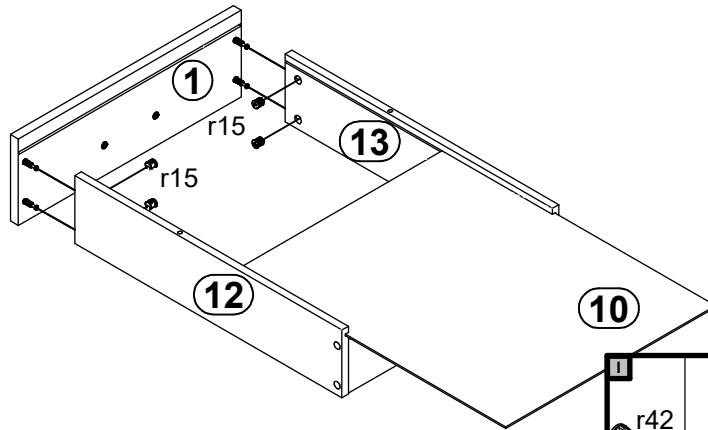
1 



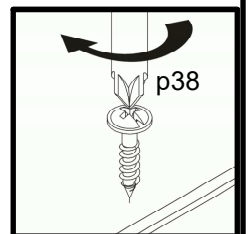
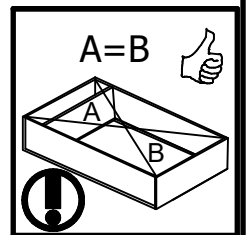
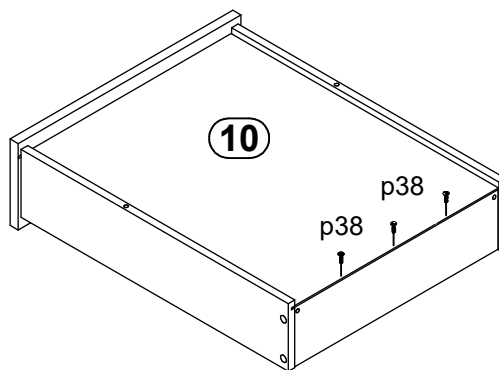
# 2



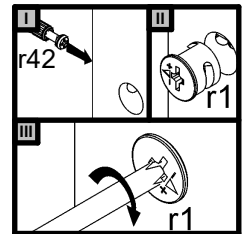
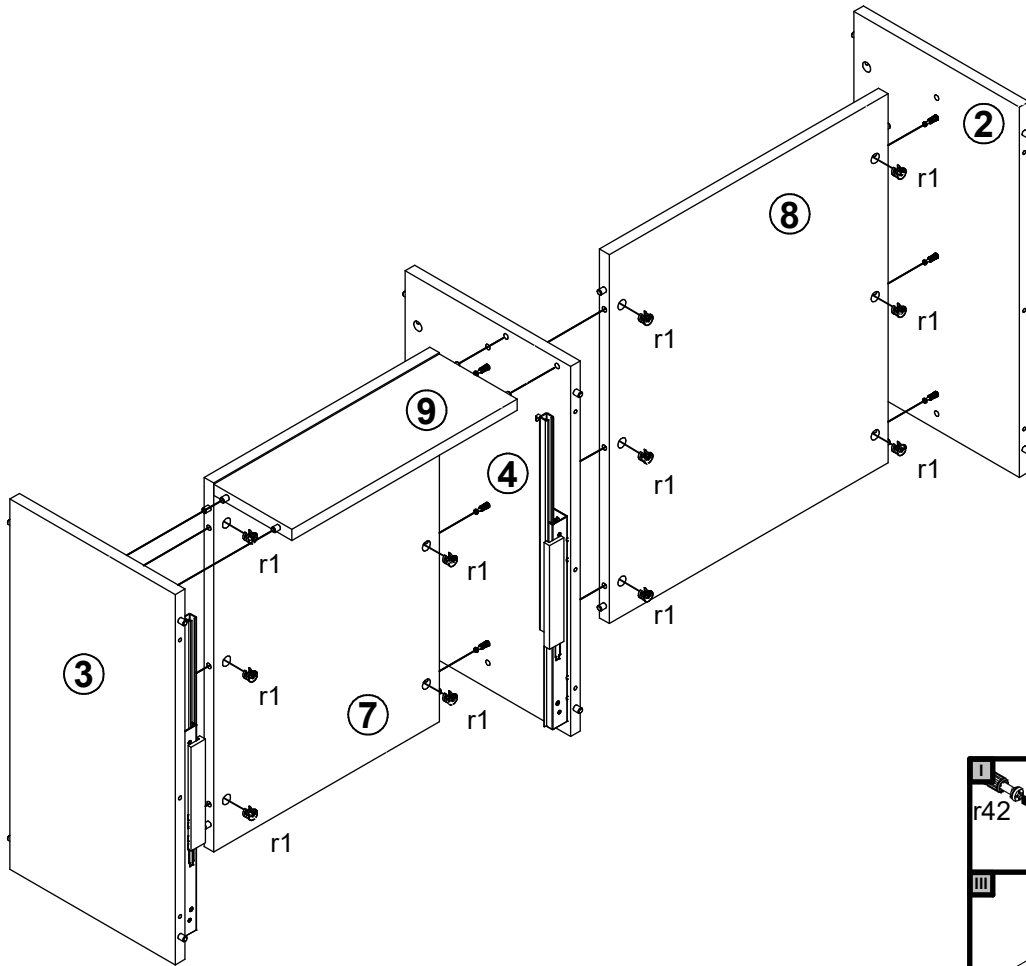
# 3



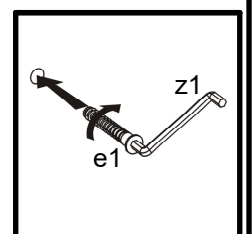
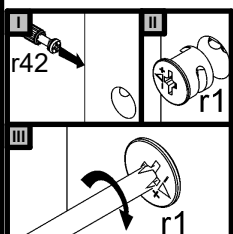
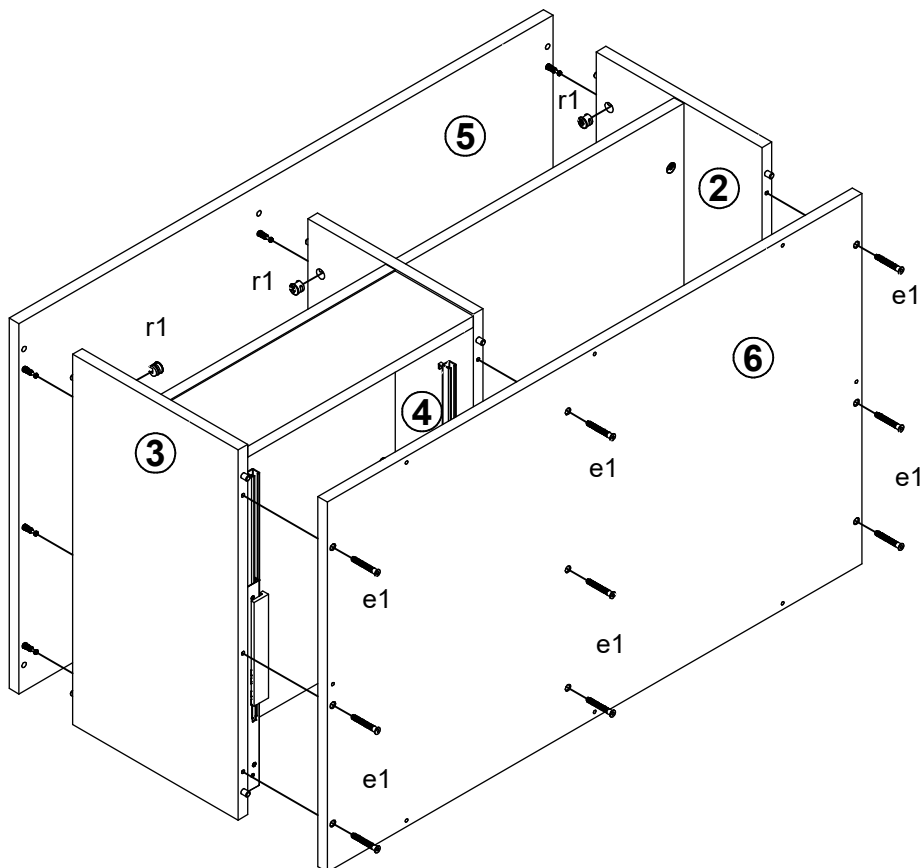
# 4



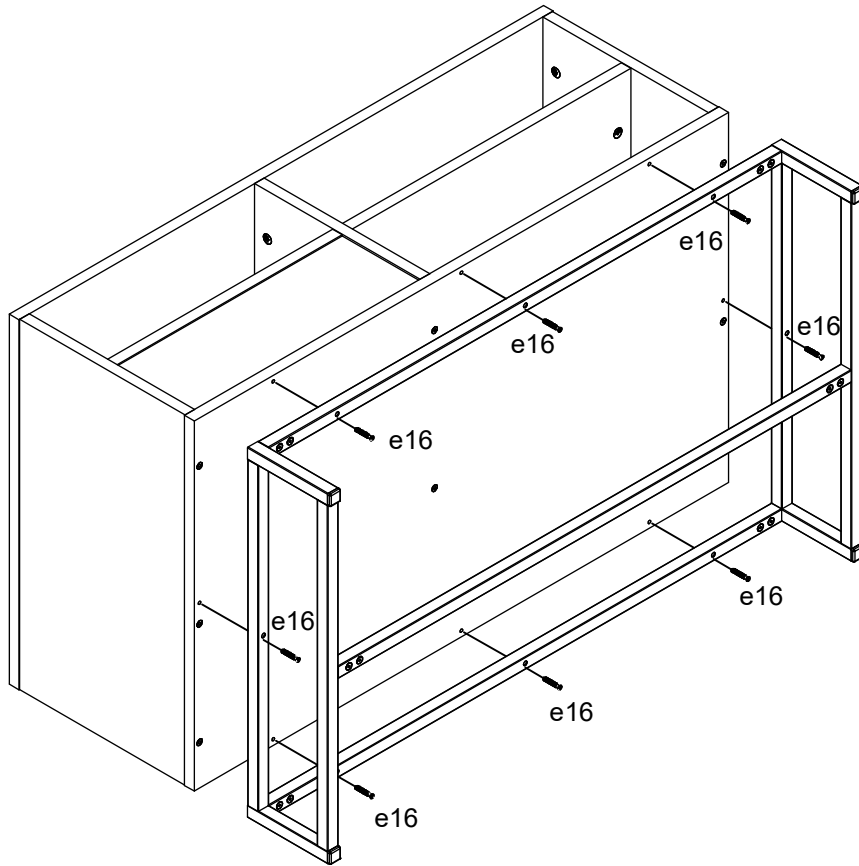
# 5



# 6



# 7



# 8

