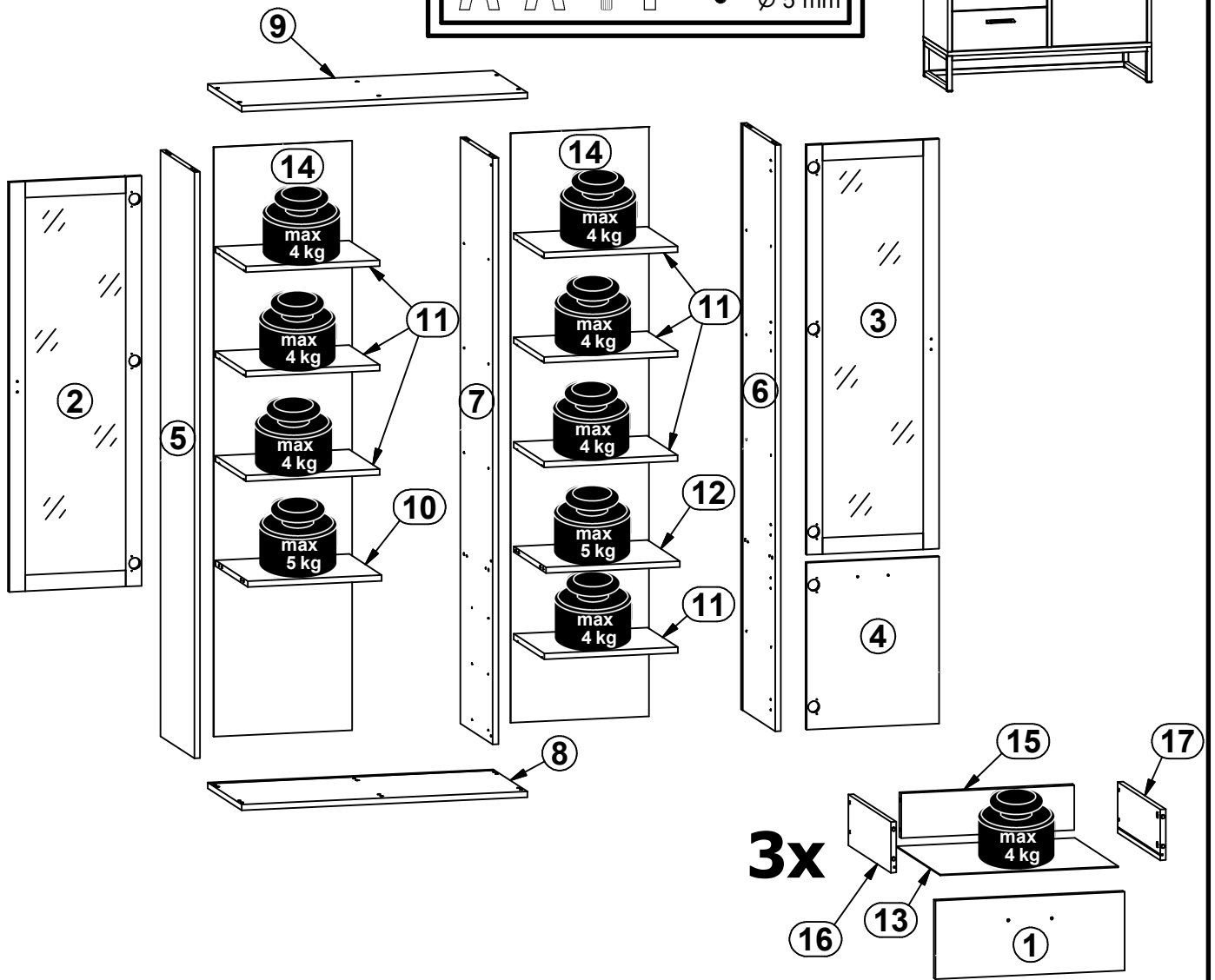
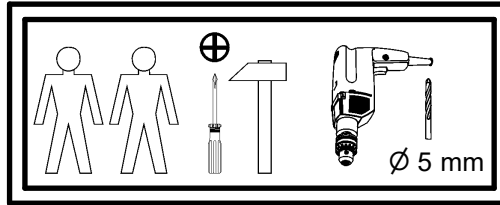
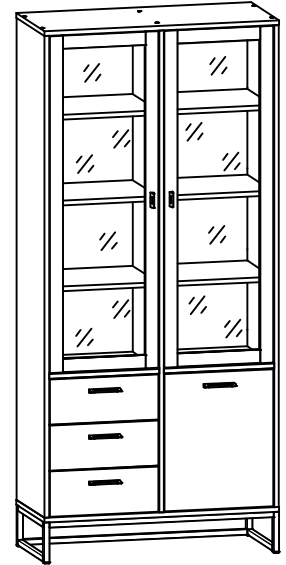
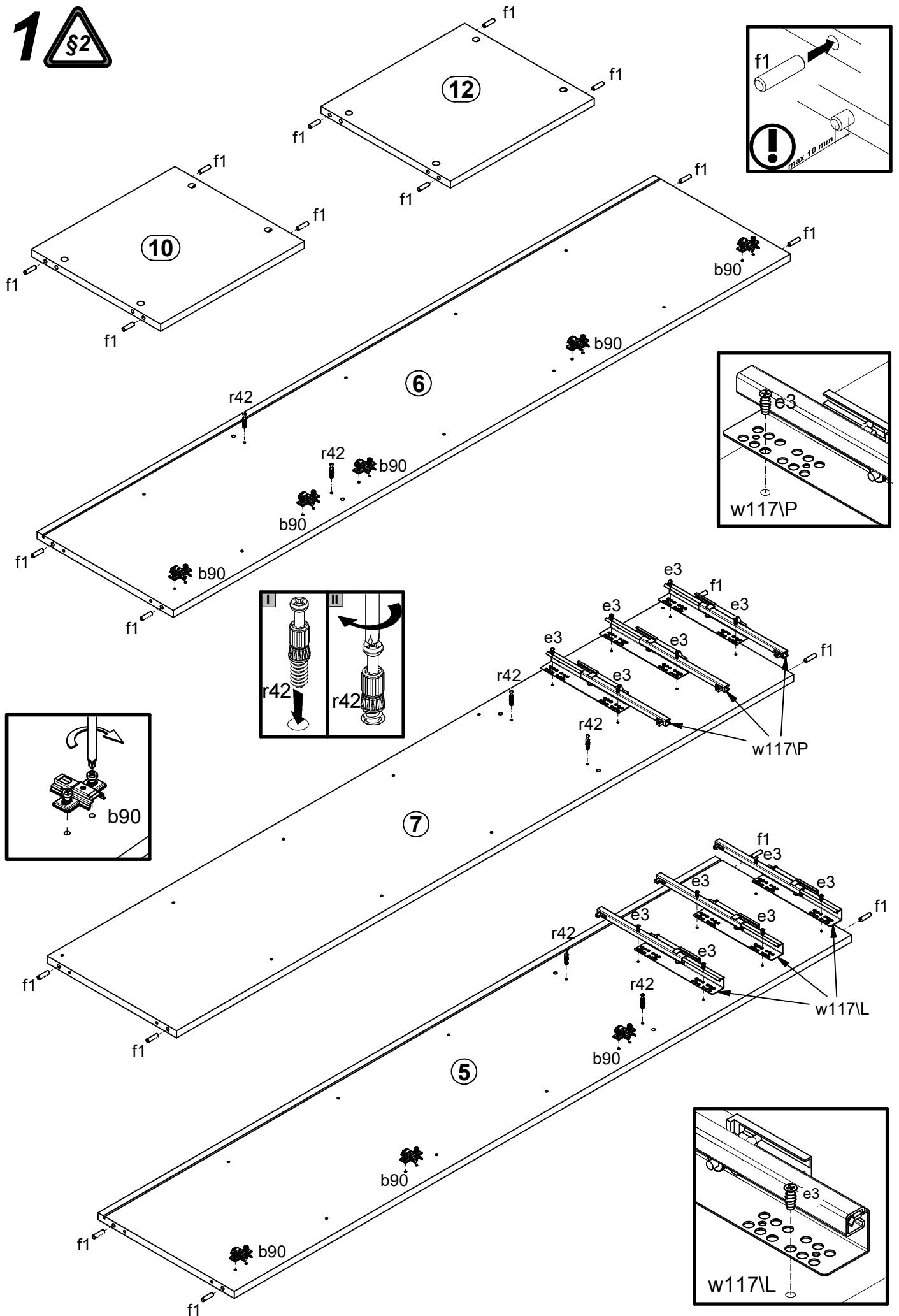


A	B	C	D	A	B	C	D		
1	S489-0006	417	170	3/4	10	S489-3008	422	380	2/4
2	S489-0013	1266	417	3/4	11	S489-3009	421	358	2/4
3	S489-0014	1266	417	3/4	12	S489-3015	422	380	2/4
4	S489-0015	417	516	3/4	13	S489-9006	393	357	2/4
5	S489-1024	1812	400	1/4	14	S489-9012	1822	436	1/4
6	S489-1025	1812	400	1/4	15	ZQ6-5009	382	97	2/4
7	S489-1026	1812	380	1/4	16	ZQ6-519	350	110	2/4
8	S489-2008	900	400	2/4	17	ZQ6-520	350	110	2/4
9	S489-2015	900	400	2/4					



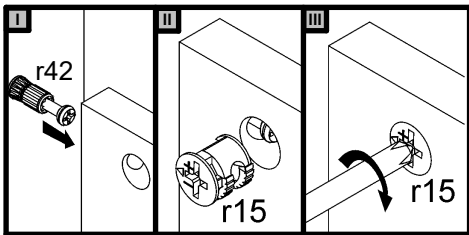
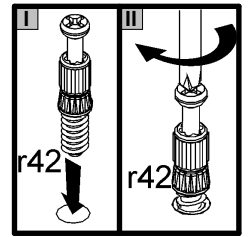
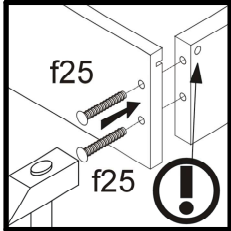
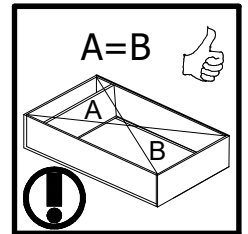
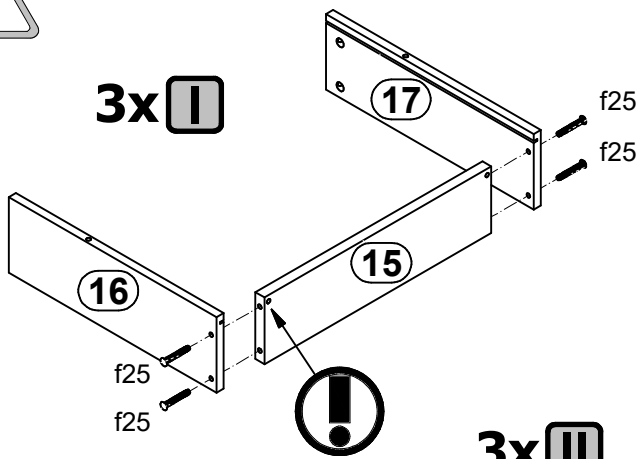
5x hamulec a203	3x a210	8x b90	4x 96mm c556\1	2x 32mm c556\2	28x Ø5x17 mm d1	5x Ø6,3x15 mm d4	12x Ø7x50 mm e1	12x Ø6x13 mm e3
8x Ø6x30 mm e16	20x Ø8x30 mm f1	12x Ø6,5x40 mm f25	12x M4x22 mm j30	12x M5x12 mm j173	4x 20x20 k133\5	1x L-400 k150\1L	1x L-400 k150\1P	1x L-860 k150\15
2x L-860 k150\4	14x l2	9x 22x9,5x20,7 mm n108	12x Ø3,5x16 mm p38	16x Ø3,5x15 mm p51	19x Ø2,9x16 mm p55	8x Ø15x12 mm #16 r1	12x Ø12x10,5 mm #12 r15	20x 20/11 r42
3x 350 mm W117\L	3x 350 mm W117\P	1x 4 mm z1	1x 3 mm z22	1x 86x21x15\1,5 n14\2	2x Ø3,5x16 mm p38	1x Ø10x50 mm f35	1x Ø5x60 mm p17	

1 

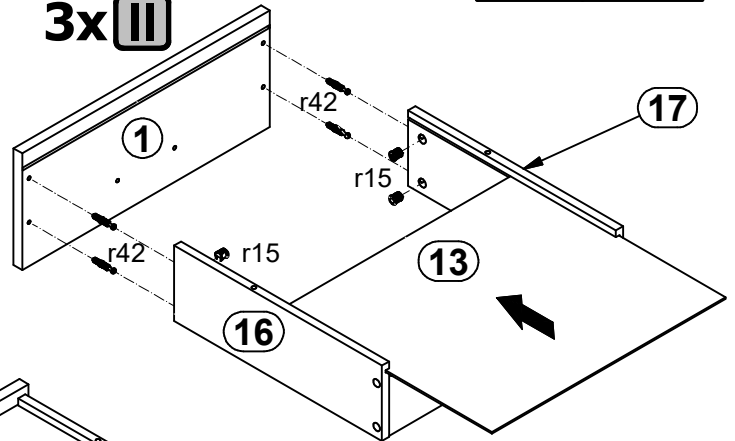


2 §2 §6

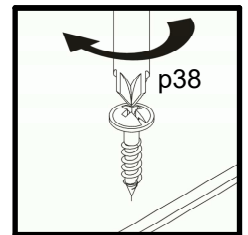
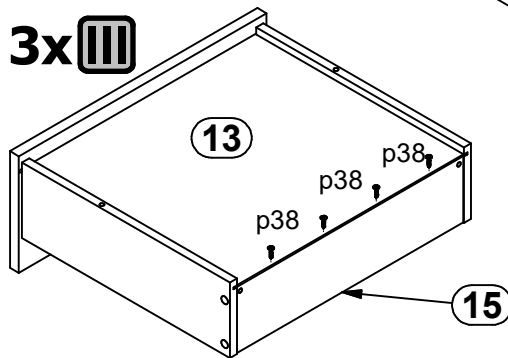
3x I



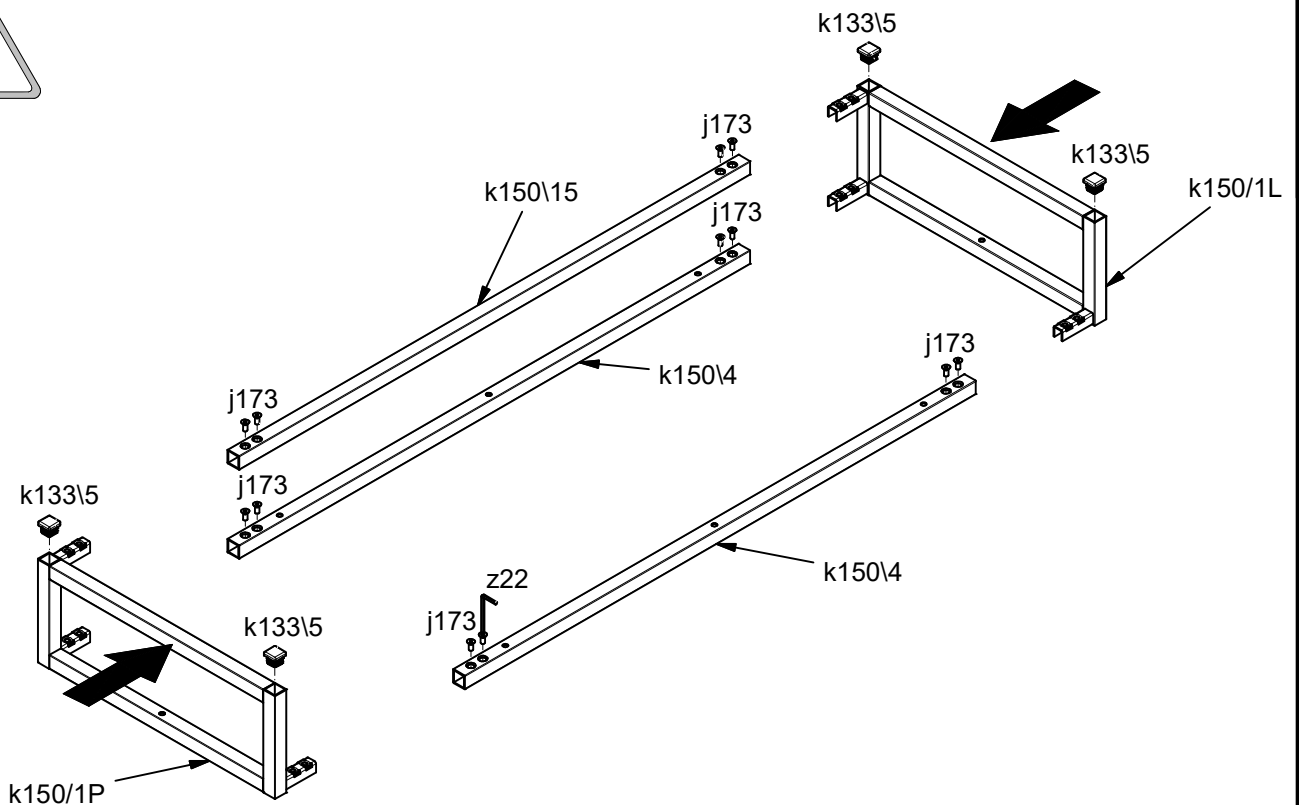
3x II

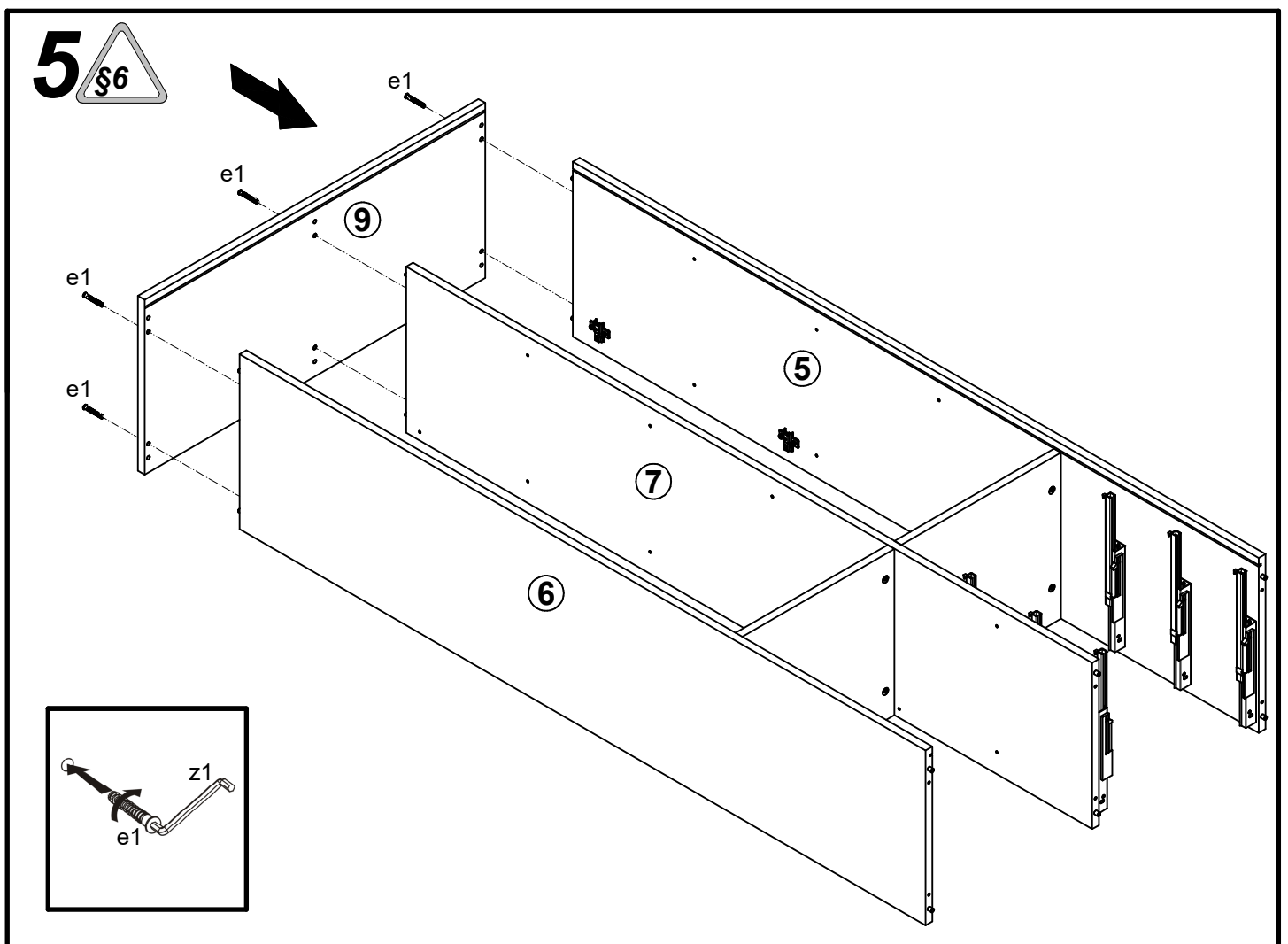
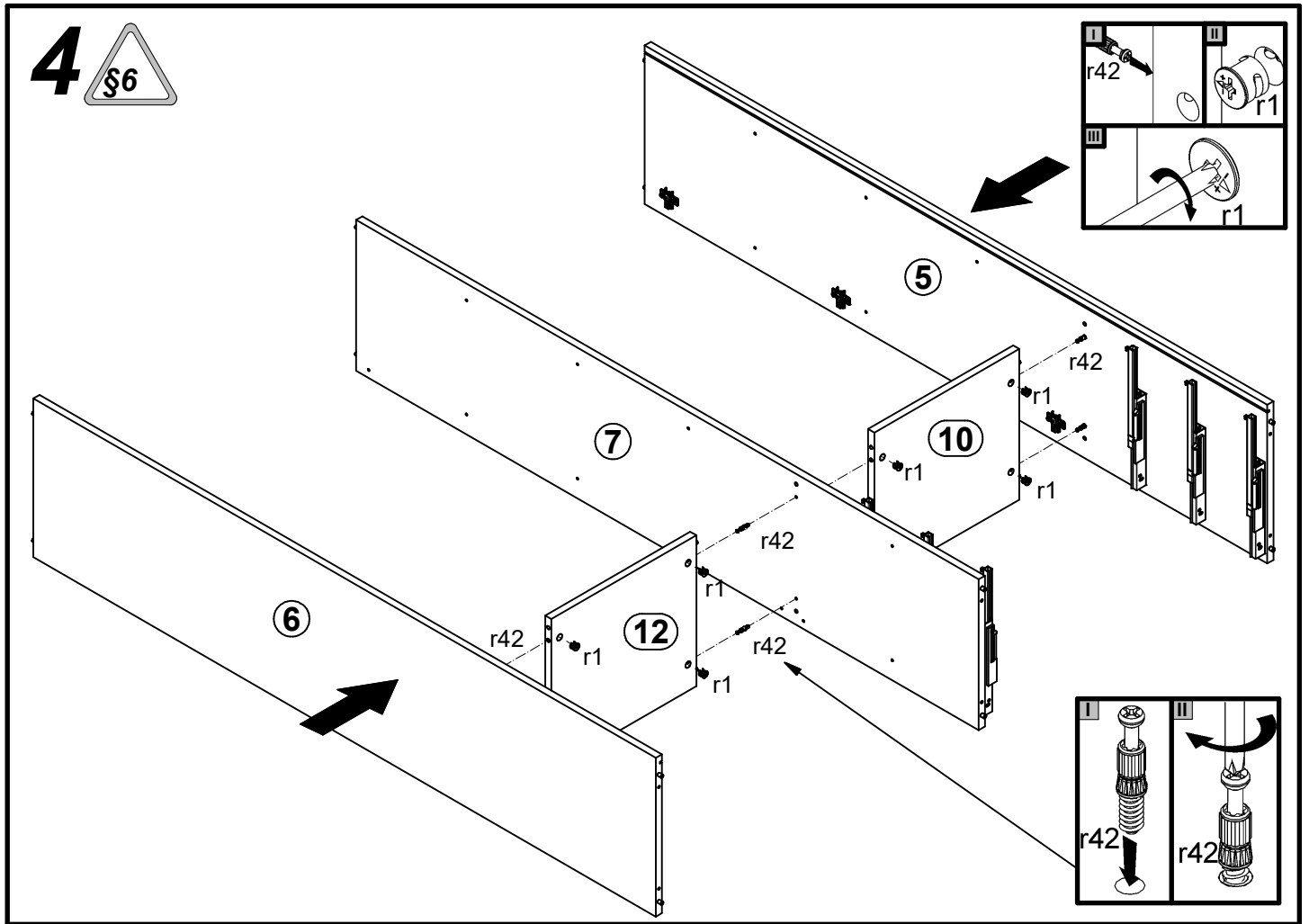


3x III

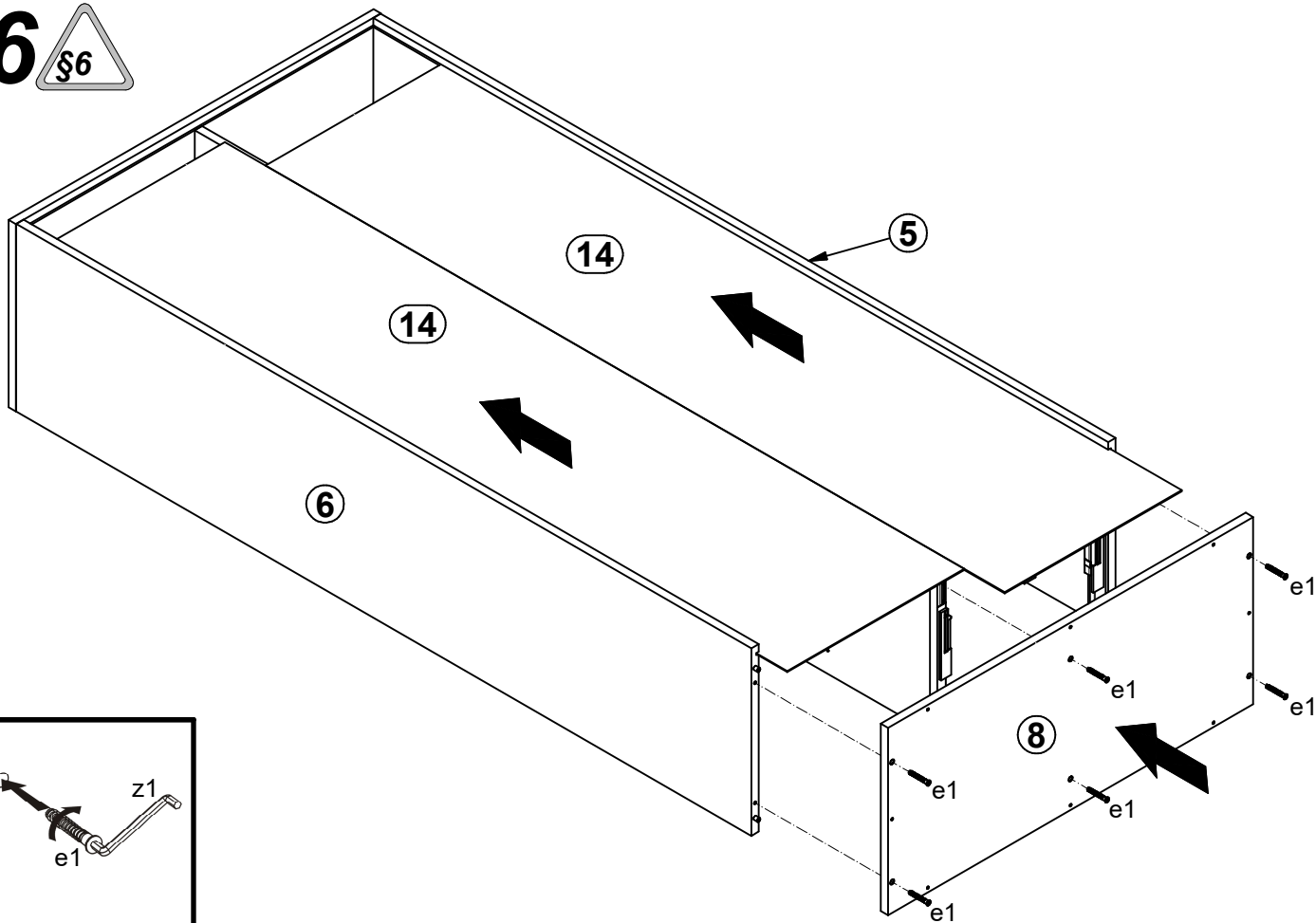


3 §6

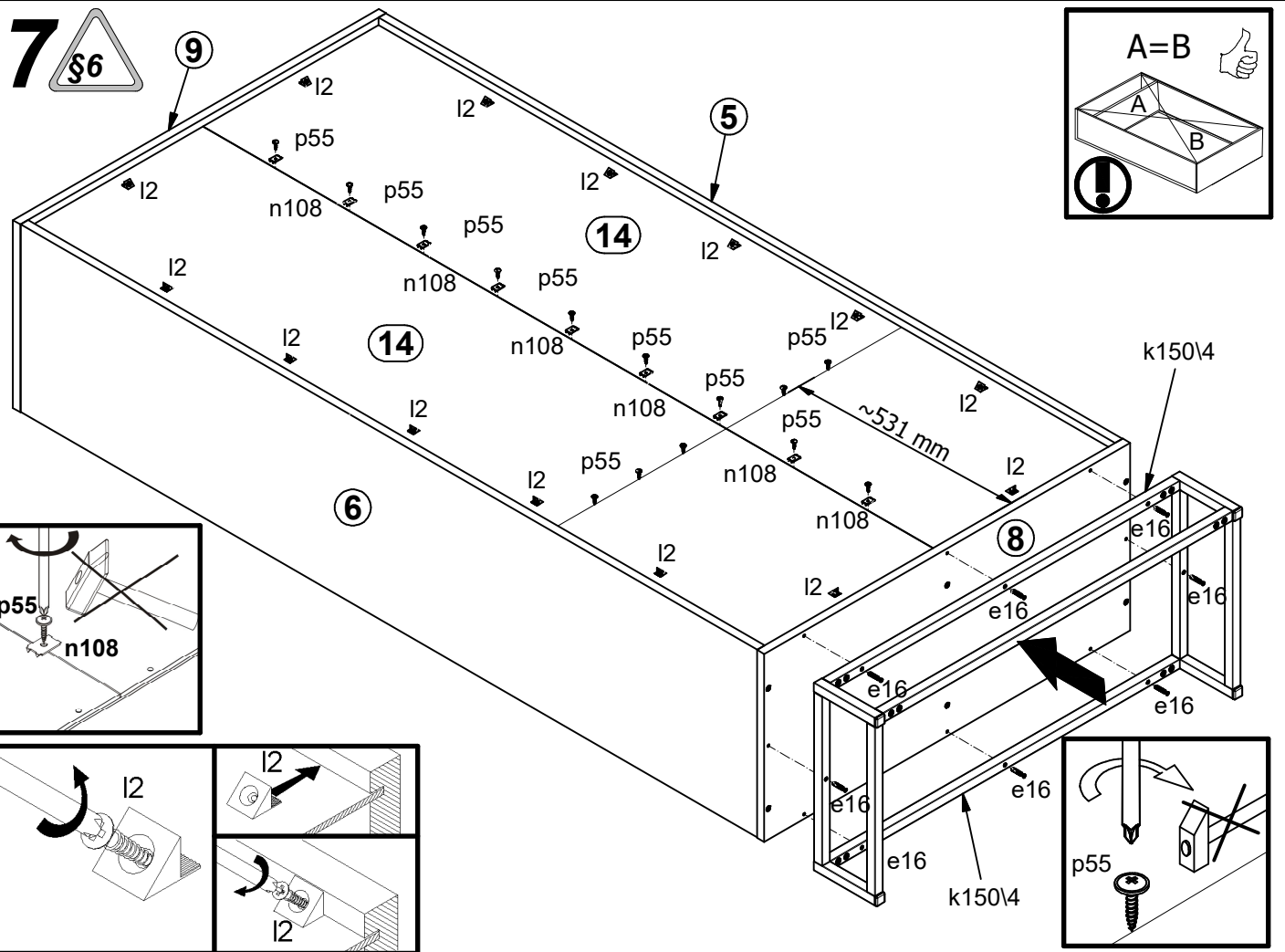




6 



7 



8  

