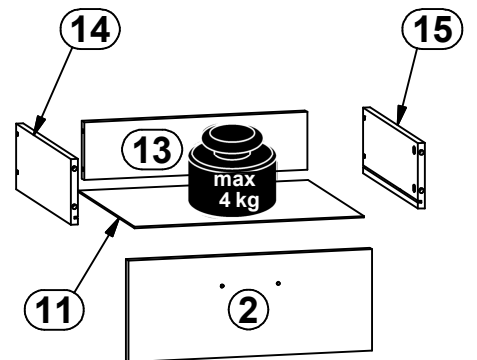
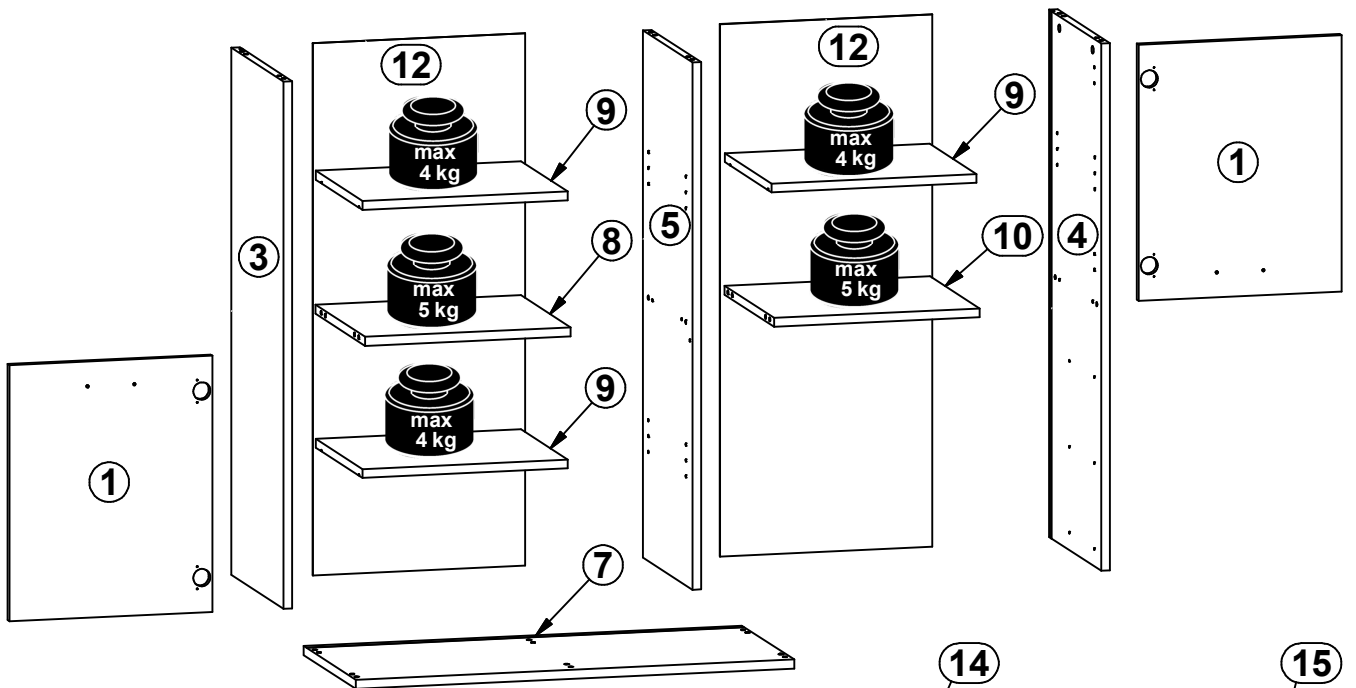
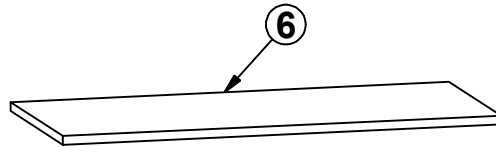
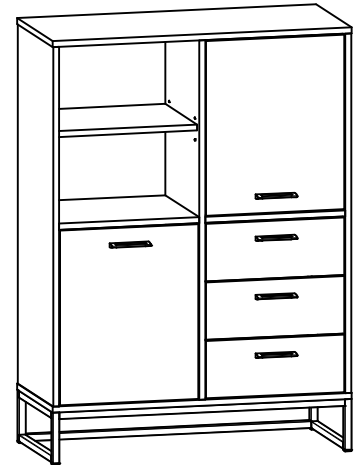
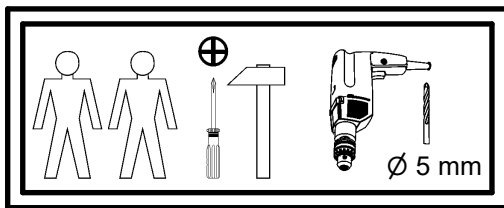


A	B	C	D	A	B	C	D	
1	S489-0005	417	516	1/3	9	S489-3009	421 358	2/3
2	S489-0006	417	170	2/3	10	S489-3015	422 380	2/3
3	S489-1011	1062	400	1/3	11	S489-9006	393 357	2/3
4	S489-1012	1062	400	1/3	12	S489-9007	1072 436	1/3
5	S489-1013	1062	380	1/3	13	ZQ6-5009	382 97	2/3
6	S489-2007	900	400	2/3	14	ZQ6-519	350 110	2/3
7	S489-2008	900	400	2/3	15	ZQ6-520	350 110	2/3
8	S489-3008	422	380	2/3				

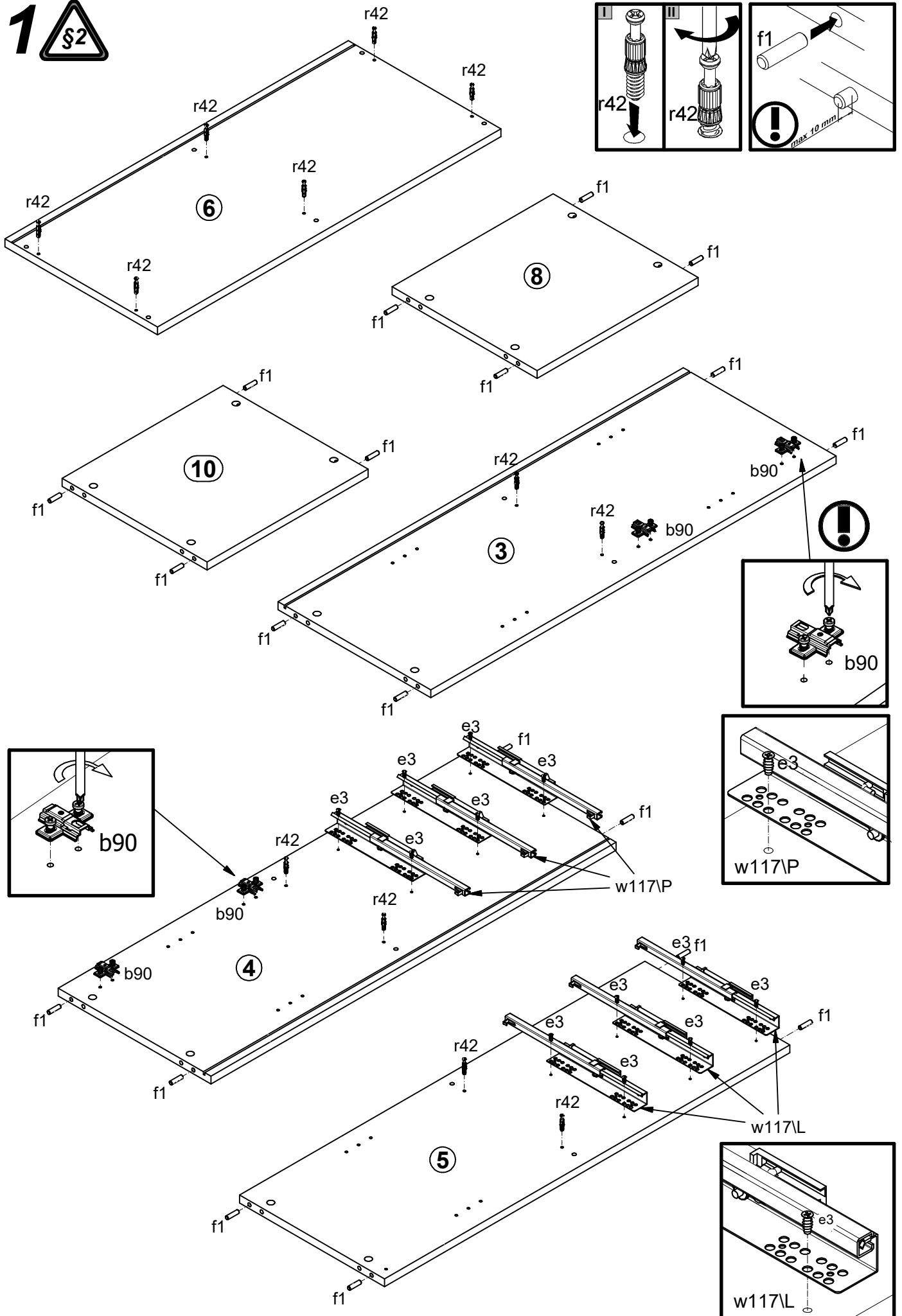
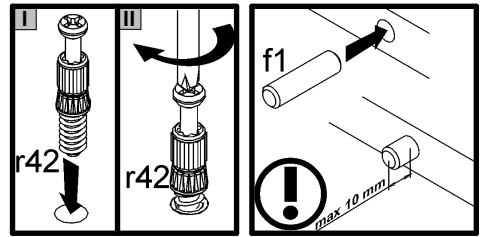


3x



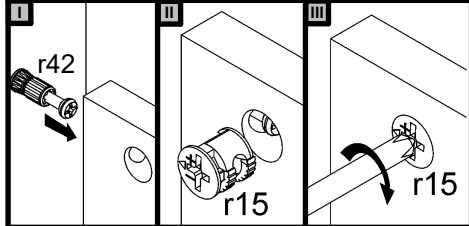
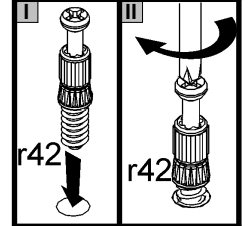
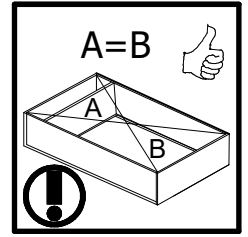
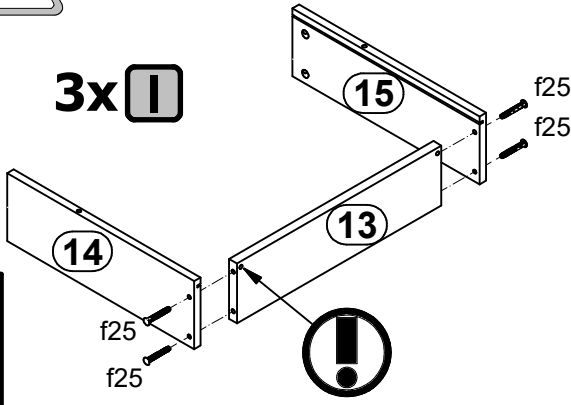
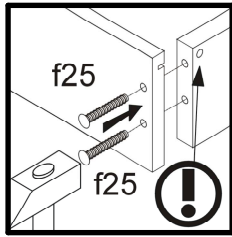
2x hamulec a203	2x a210	4x b90	5x 96mm c5561	12x Ø5x17 mm d1	2x Ø6,3x15 mm d4	6x Ø7x50 mm e1	12x Ø6x13 mm e3	8x Ø6x30 mm e16
20x Ø8x30 mm f1	12x Ø6,5x40 mm f25	10x M4x22 mm j30	12x M5x12 mm j173	4x 20x20 k13315	1x L-400 k1501L	1x L-400 k1501P	1x L-860 k15015	2x L-860 k15014
10x i2	5x 22x9,5x20,7 mm n108	12x Ø3,5x16 mm p38	8x Ø3,5x15 mm p51	15x Ø2,9x16 mm p55	14x Ø15x12 mm #16 r1	12x Ø12x10,5 mm #12 r15	26x 20/11 r42	6x Ø 20mm s68
3x 350 mm W117L	3x 350 mm W117P	1x 4 mm z1	1x 3 mm z22			1x n26	1x Ø3,5x16 mm p38	

1 

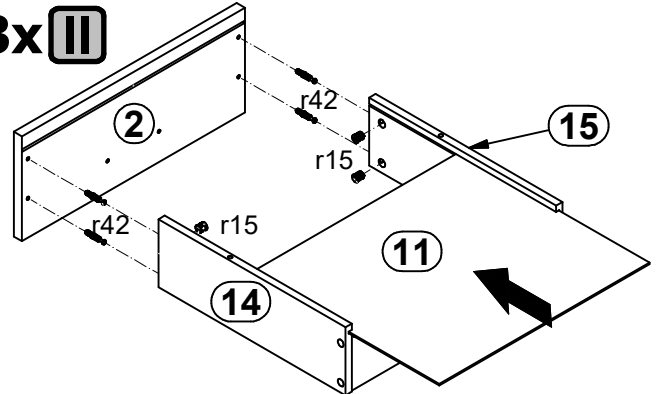


2 §2 §6

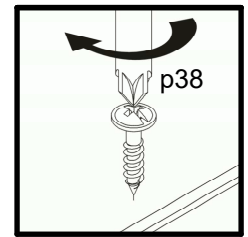
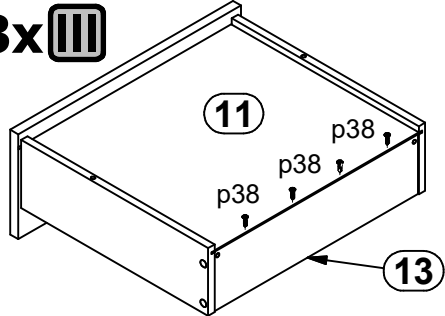
3x I



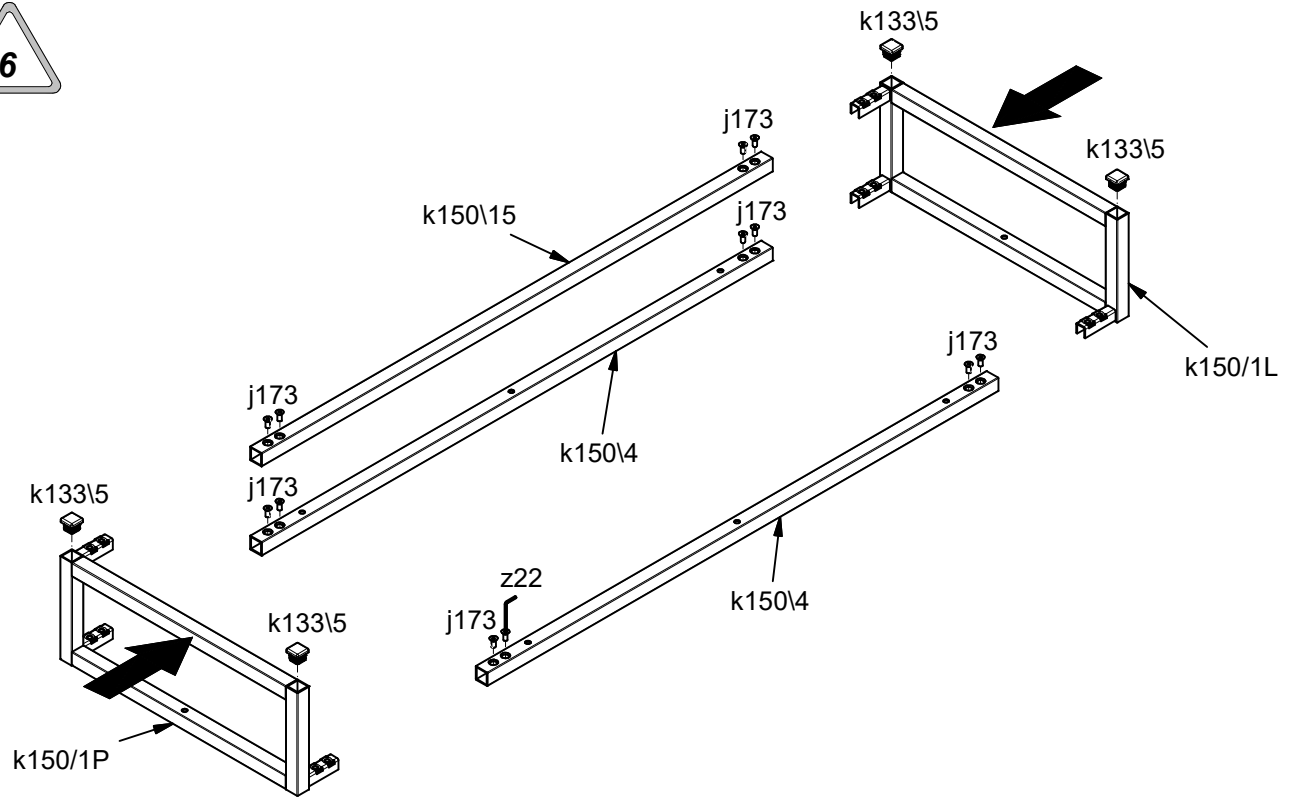
3x III

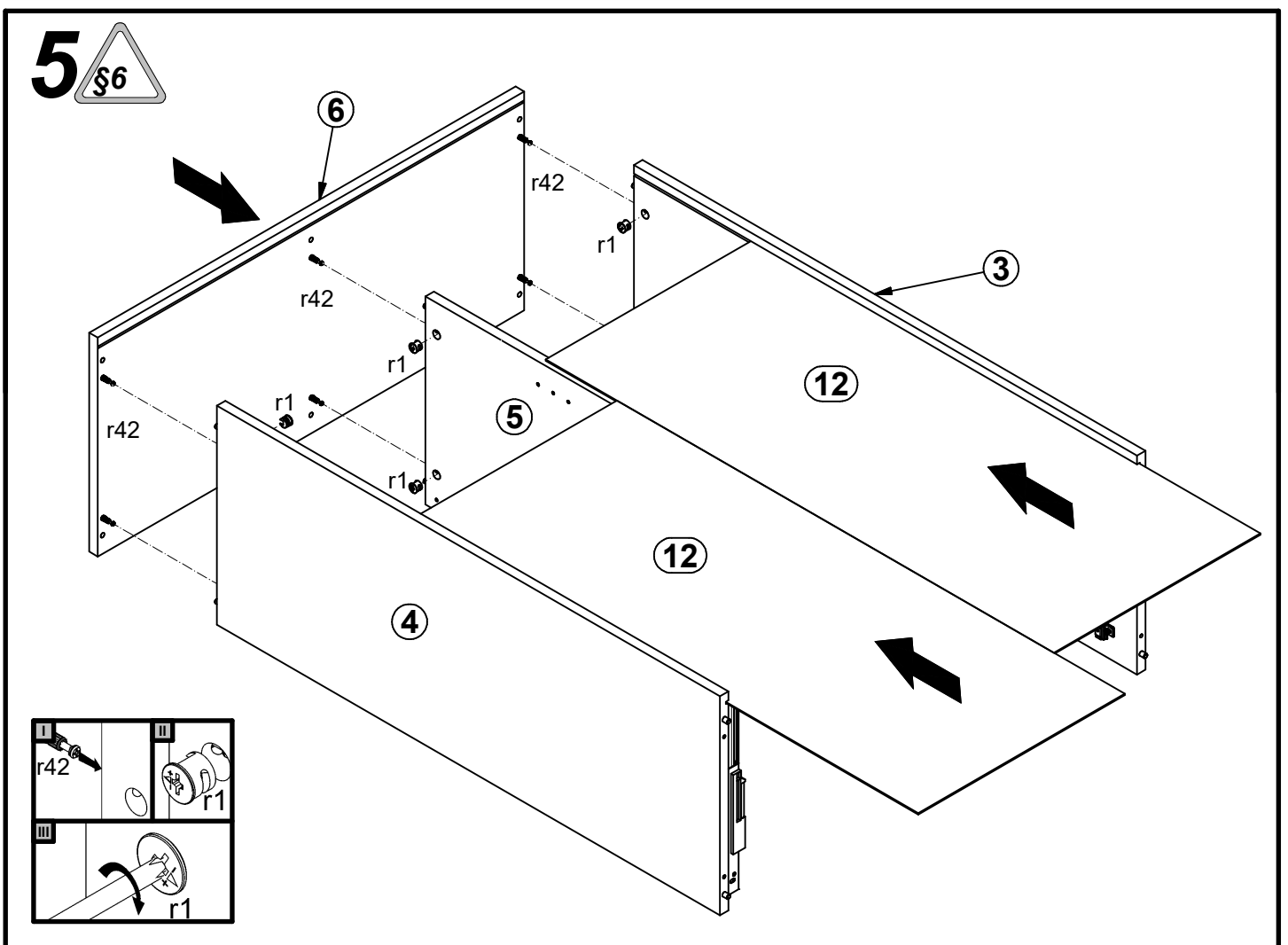
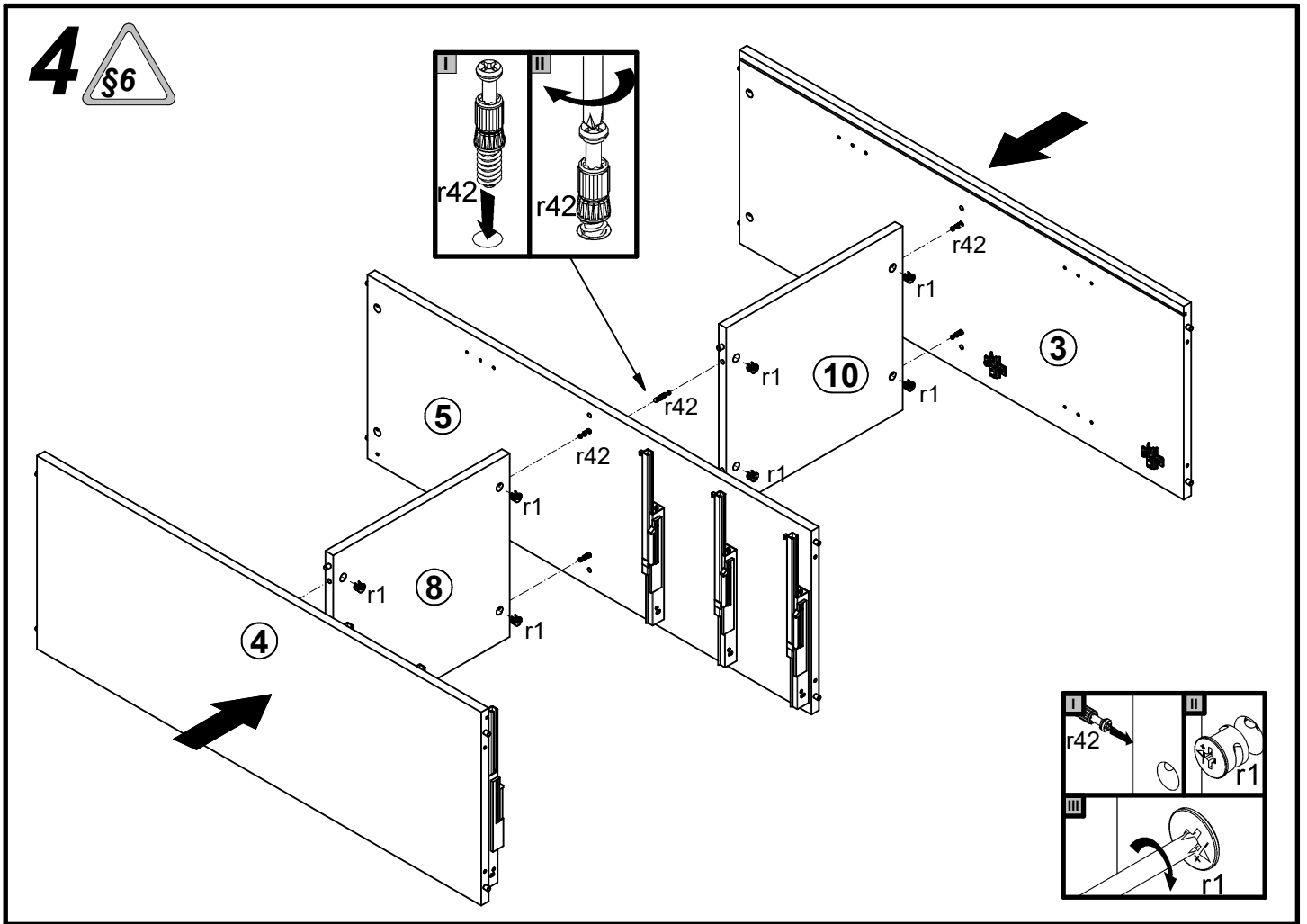


3x III

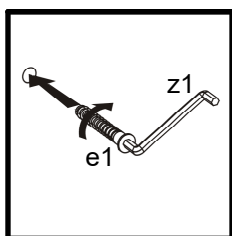
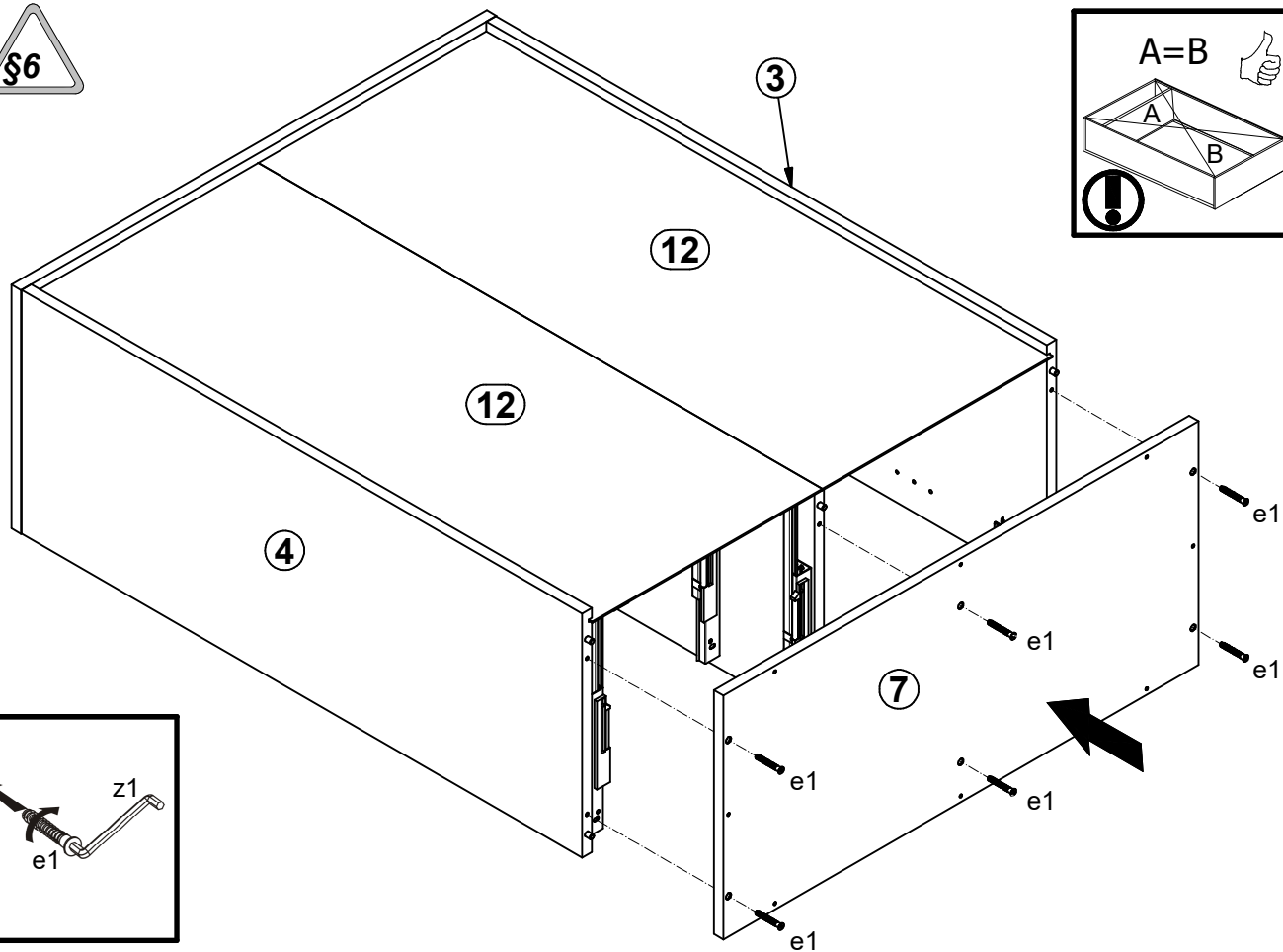
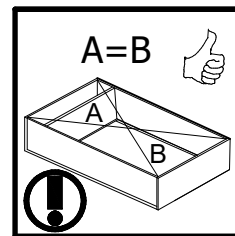


3 §6

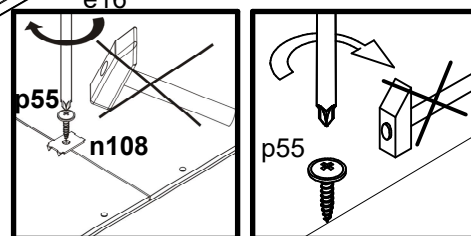
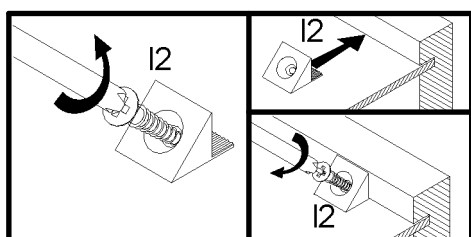
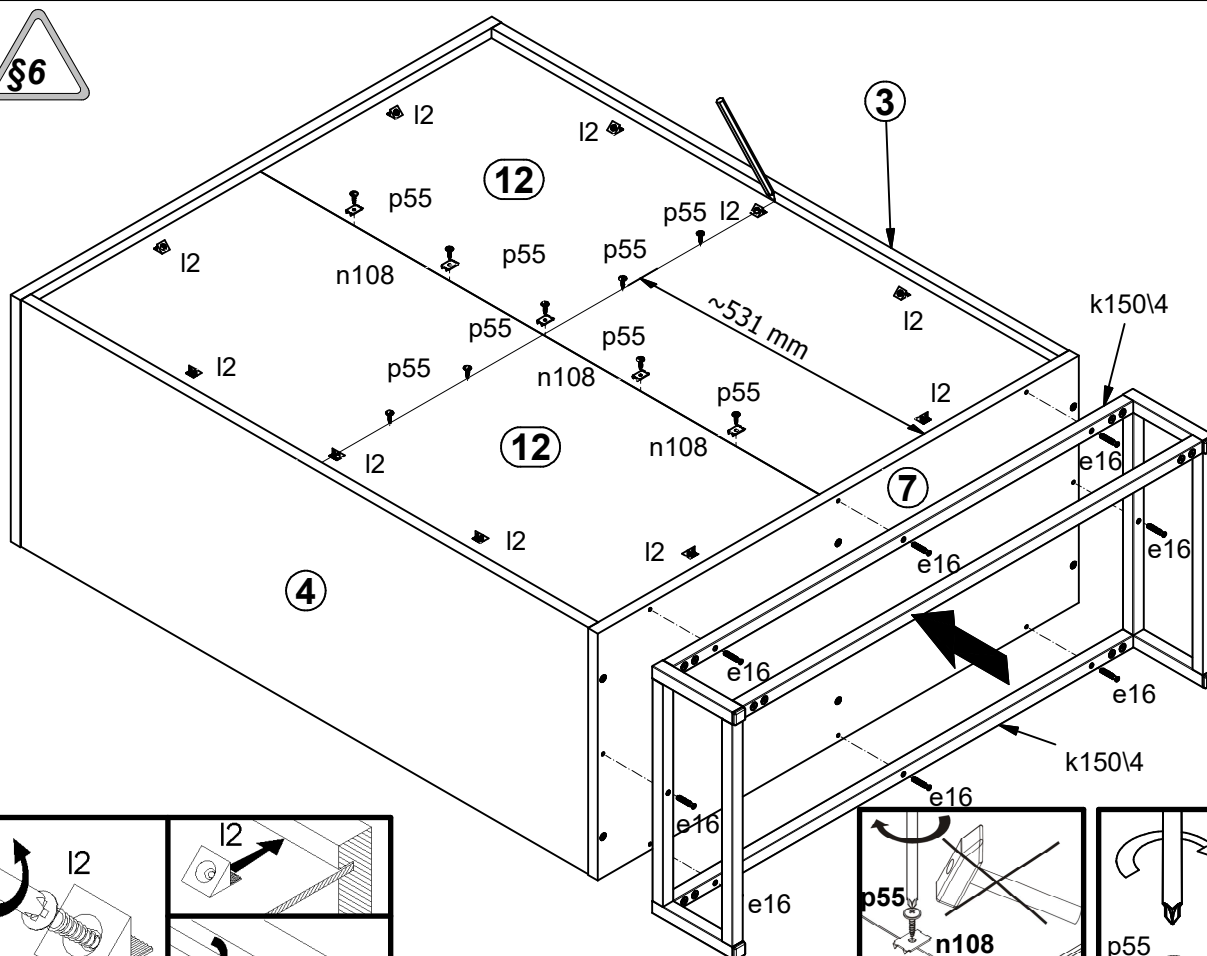




6 §6



7 §6



8 §2 §6

