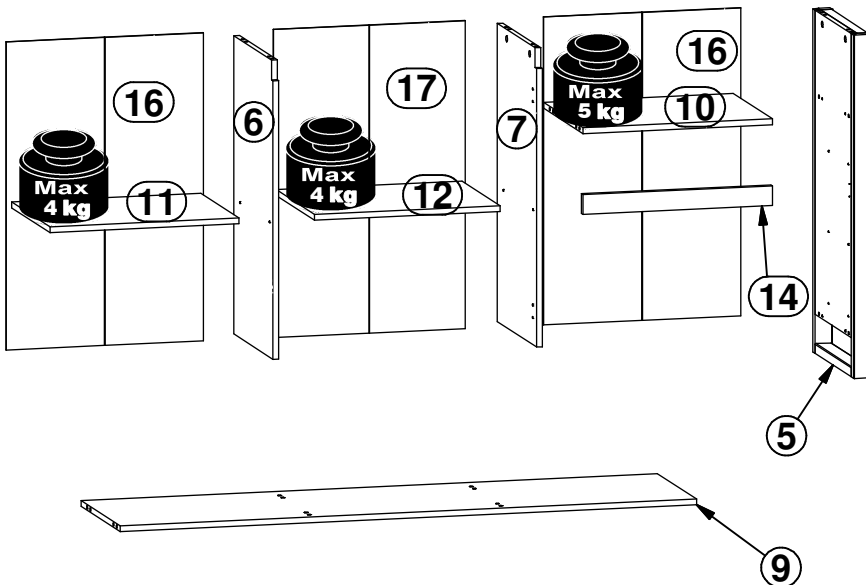
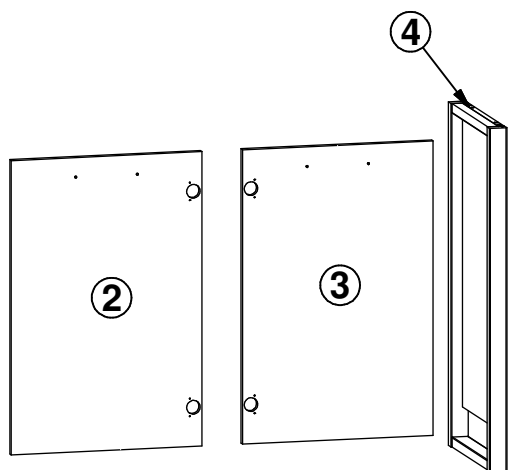
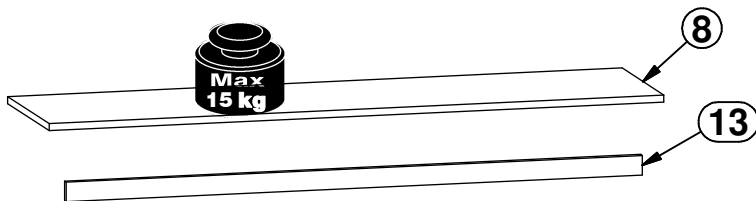
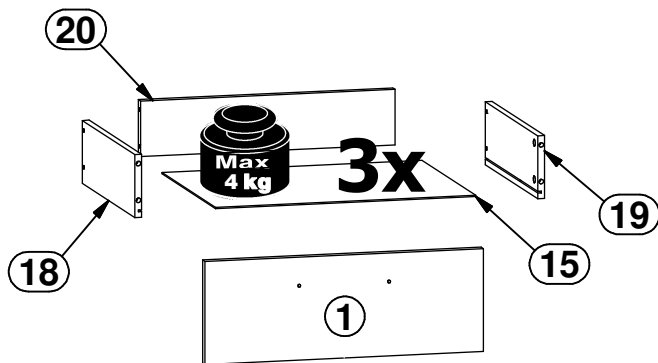
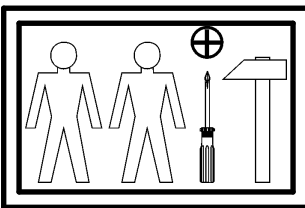
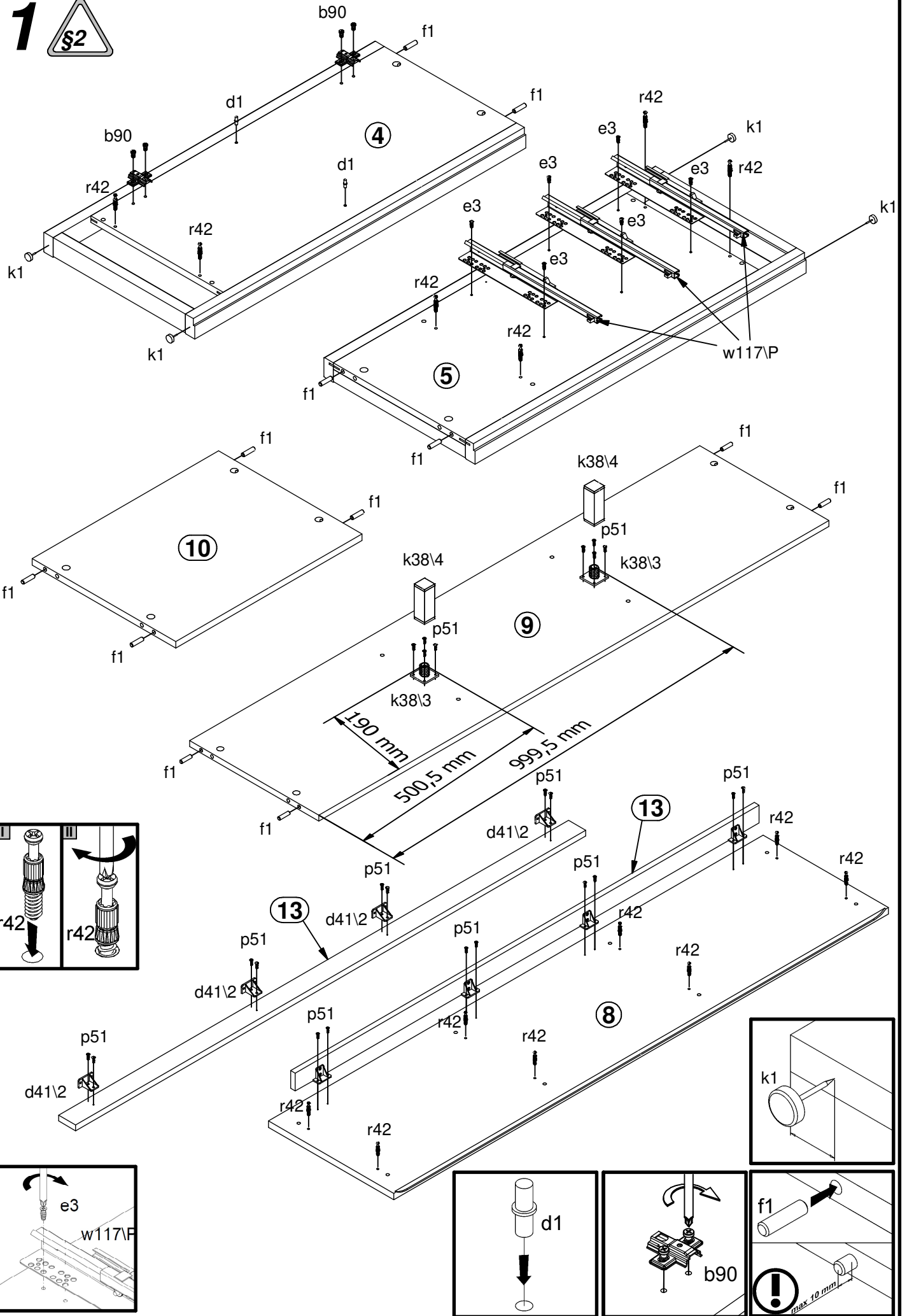


A	B	C	D	
1	S604-0014	496	180	1/2
2	S604-0015	751	496	1/2
3	S604-0016	751	496	1/2
4	S604-1015	876	400	1/2
5	S604-1016	876	400	1/2
6	S604-1017	761	380	1/2
7	S604-1018	761	380	1/2
8	S604-2005	1600	405	2/2
9	S604-3015	1500	380	2/2
10	S604-3016	493	380	2/2
11	S604-3017	492	370	2/2
12	S604-3018	483	370	2/2
13	S604-4004	1500	50	2/2
14	S604-4005	493	50	2/2
15	S604-9004	463	357	2/2
16	S604-9303	786	513	2/2
17	S604-9304	786	499	2/2
18	ZQ6-519	350	110	2/2
19	ZQ6-520	350	110	2/2
20	ZQ6-5342	453	97	2/2

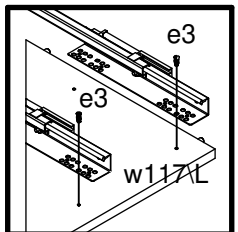
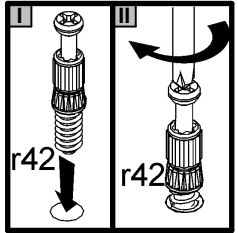
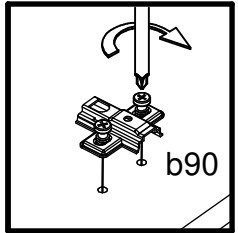
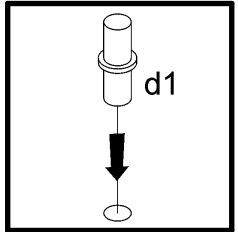
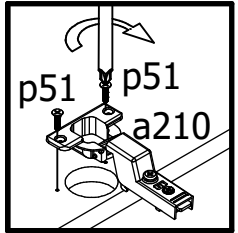
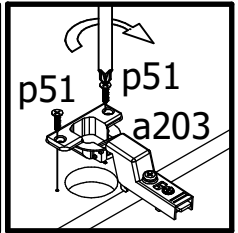
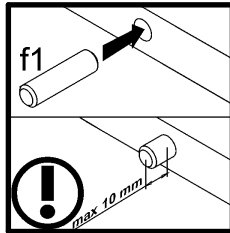
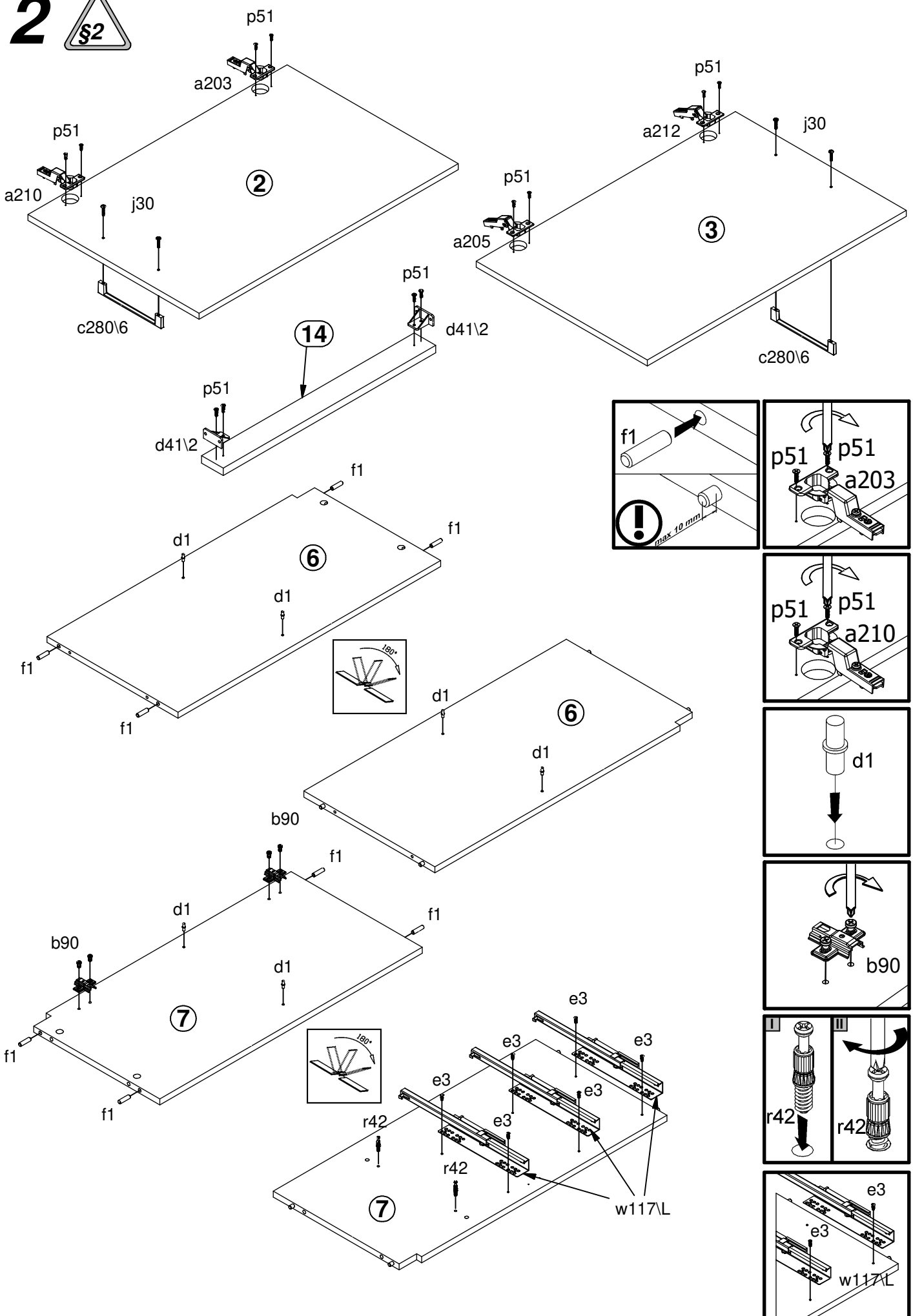


1x hamulec a203	1x hamulec a205	1x hamulec a210	1x hamulec a212	4x b90	5x c280\6	8x d1	6x d41\2	4x e1
12x e3	20x f1	12x f25	10x j30	4x k1	2x k38\3	2x k38\4	10x n108	1x n26
1x p38	40x p51	50x p55	16x r1	12x r15	28x r42	8x s68	3x w117\L	3x w117\P
1x z1								

1 

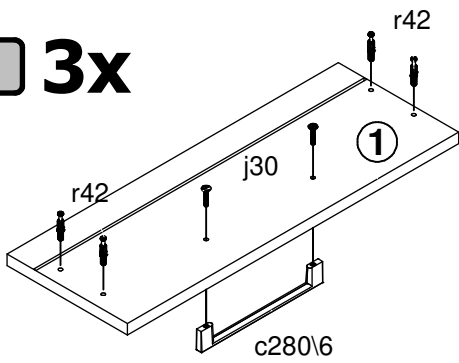


2

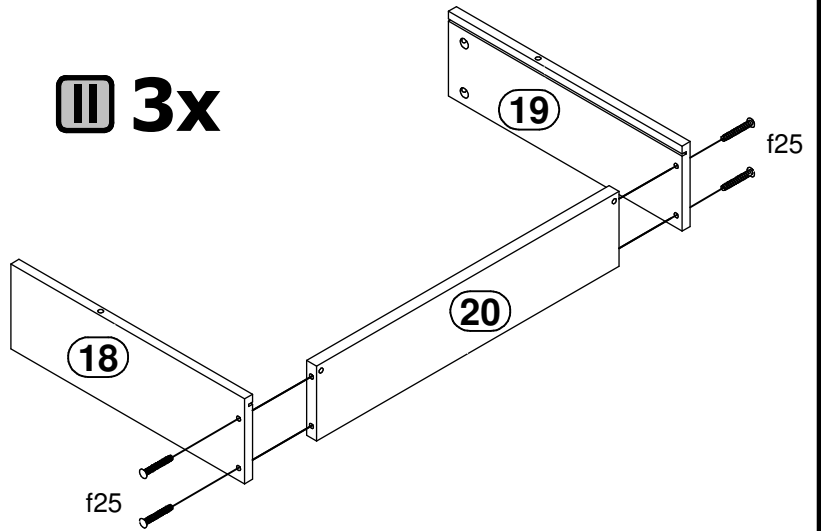


3  

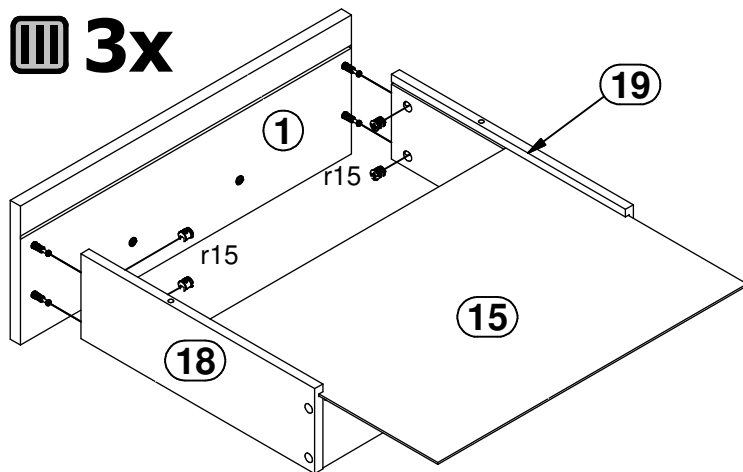
I 3x



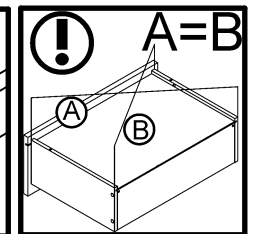
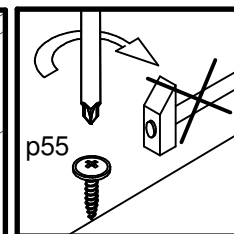
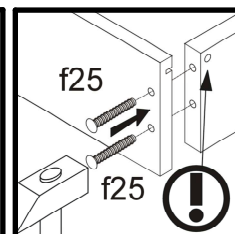
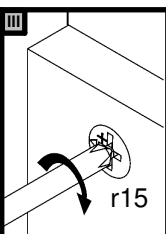
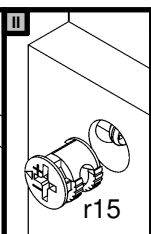
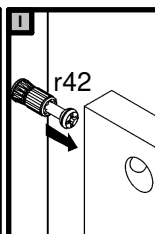
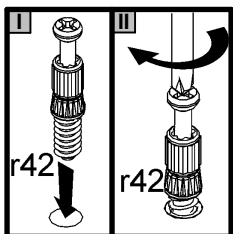
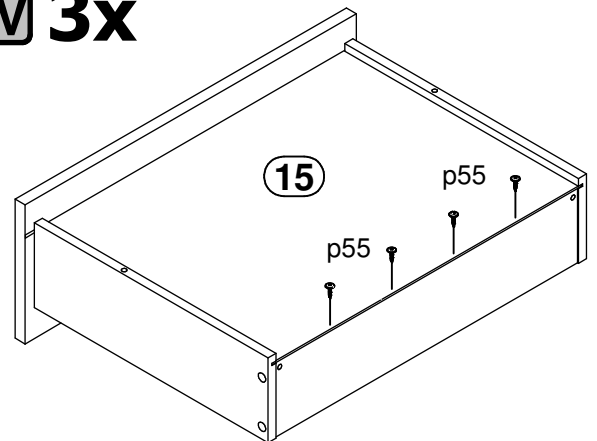
II 3x



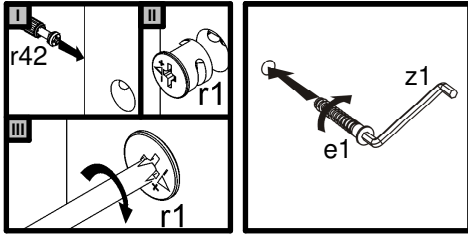
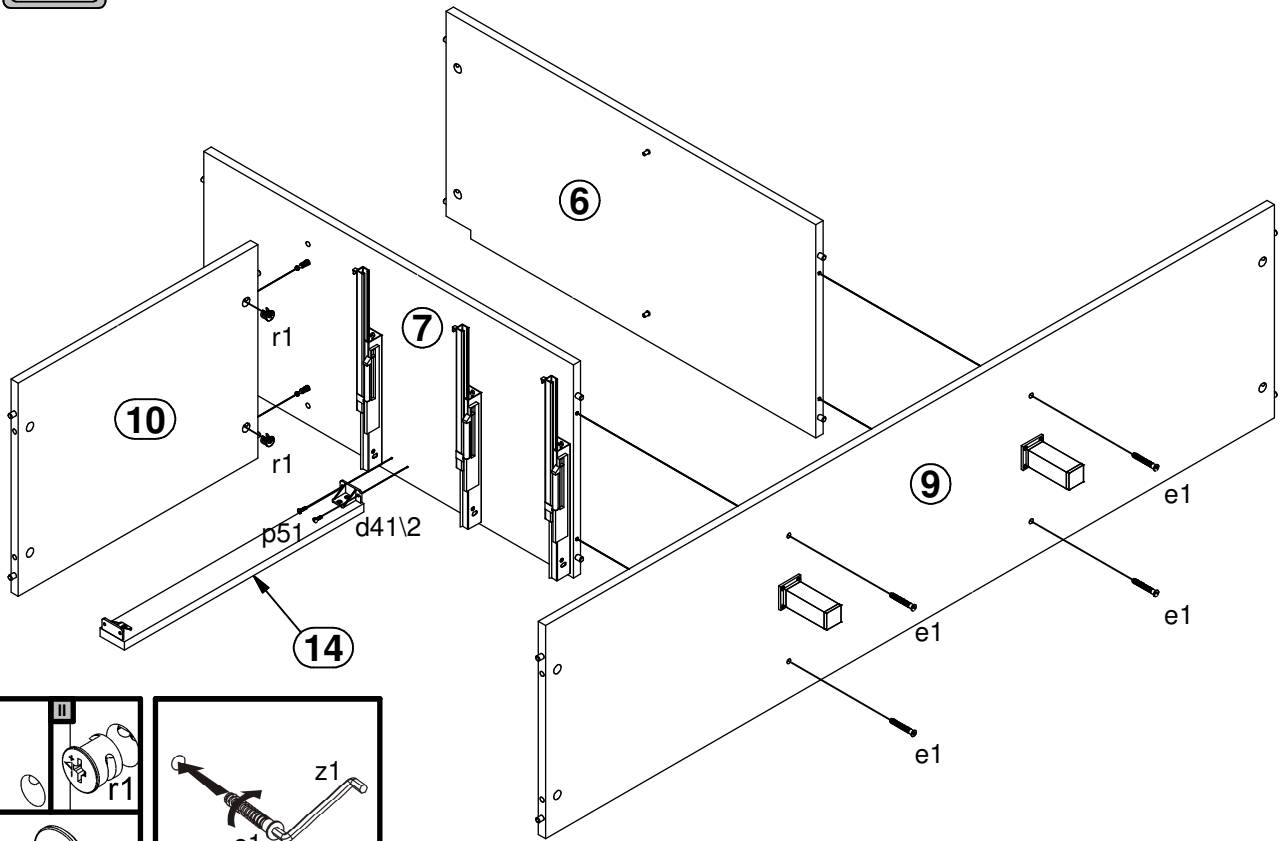
III 3x



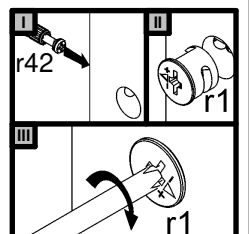
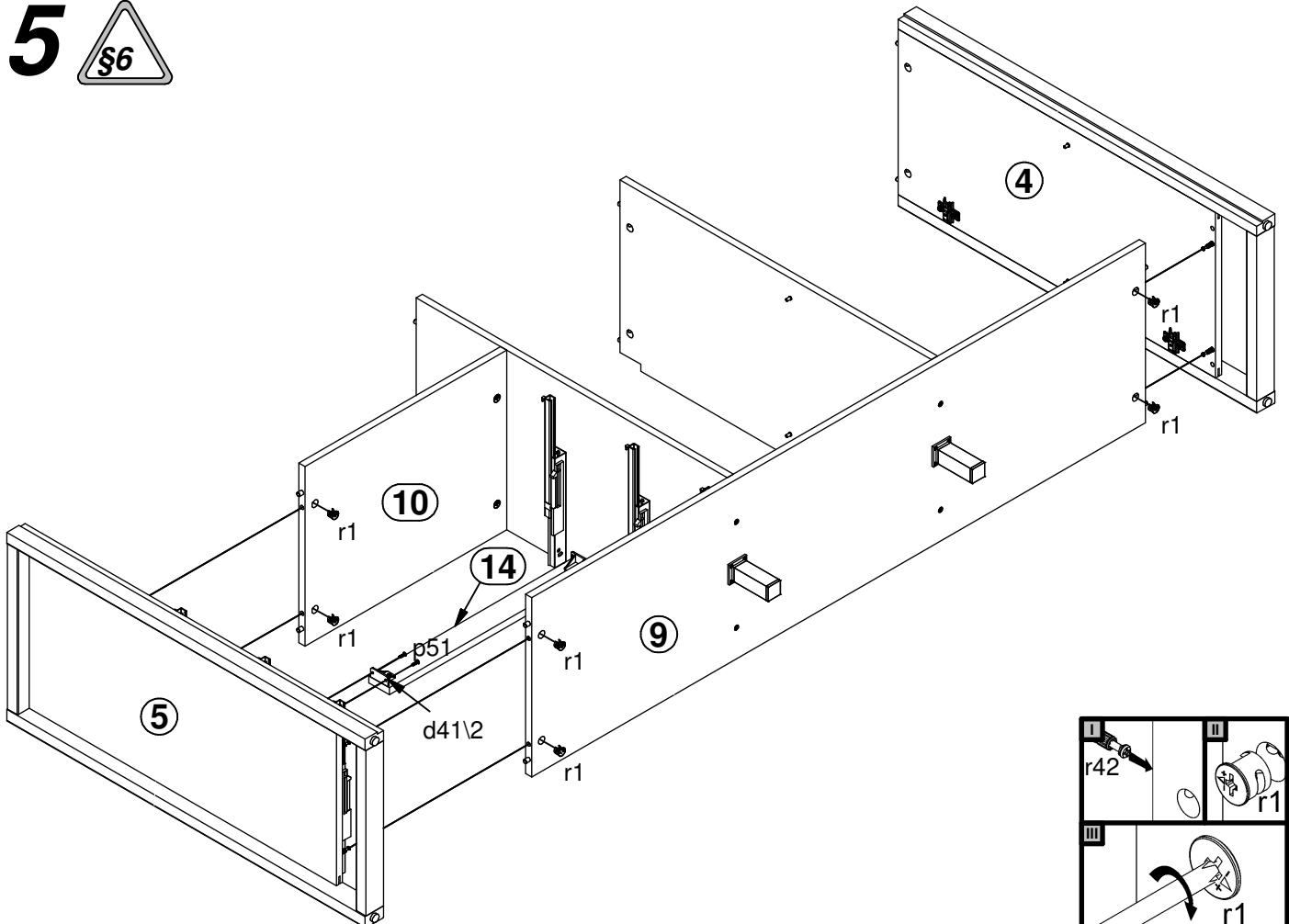
IV 3x



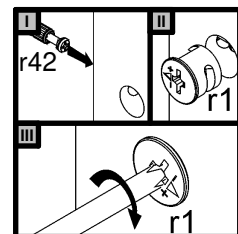
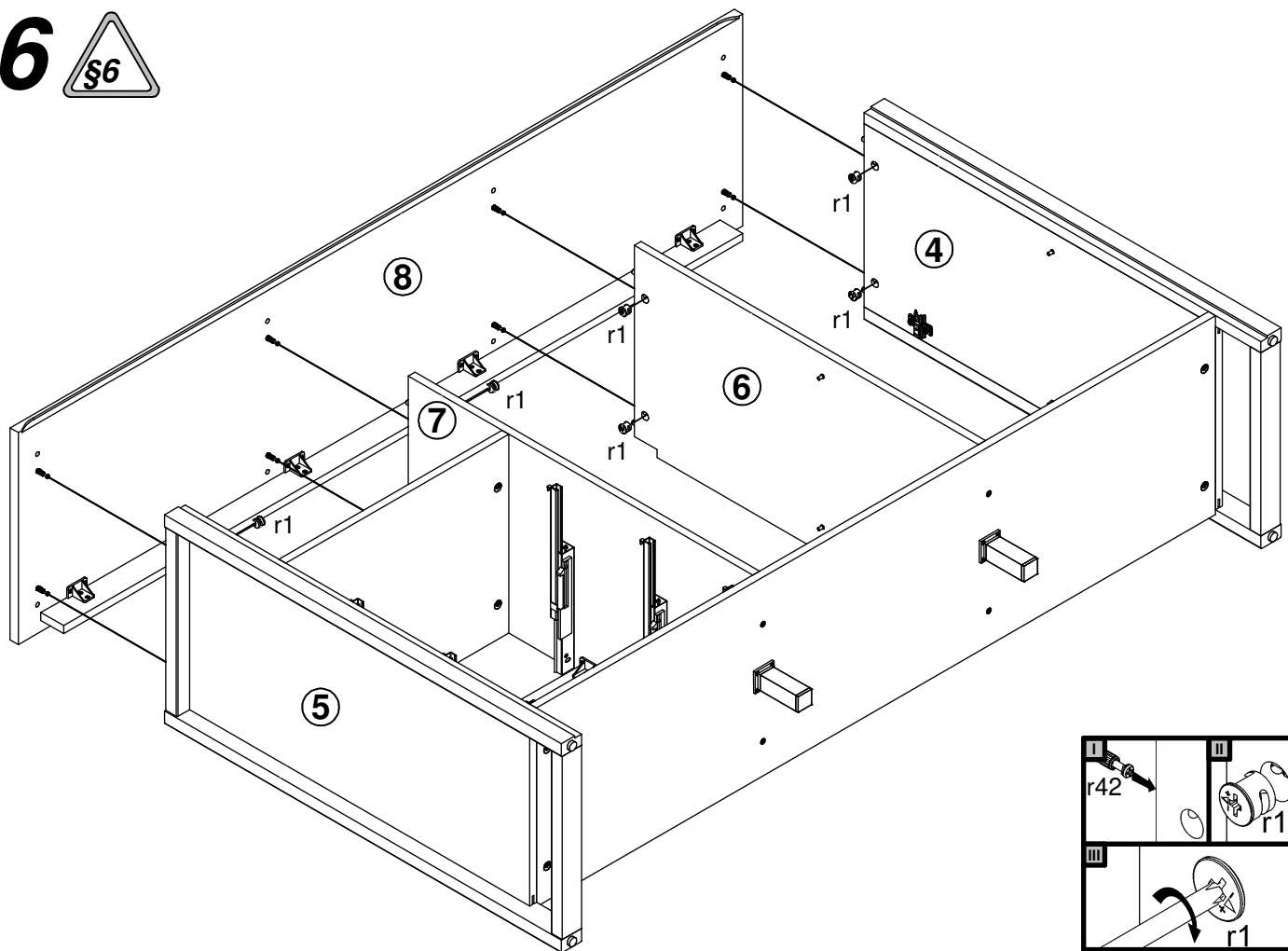
4



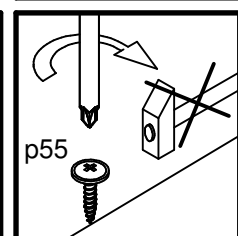
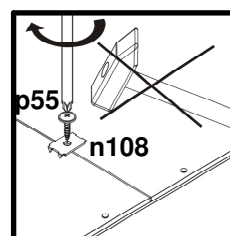
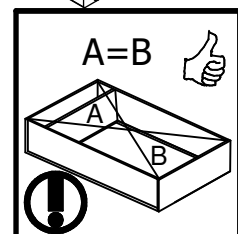
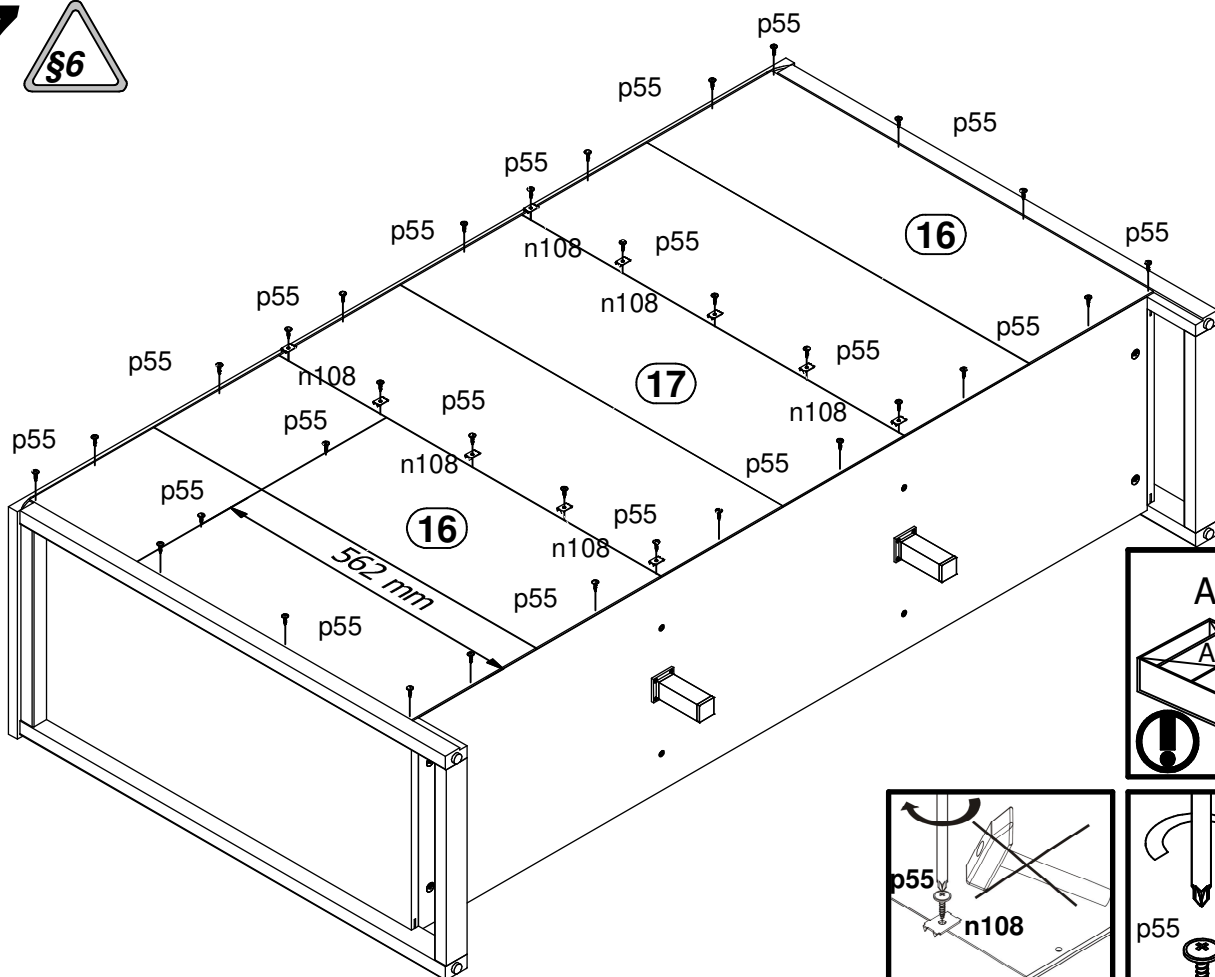
5



6



7



8

