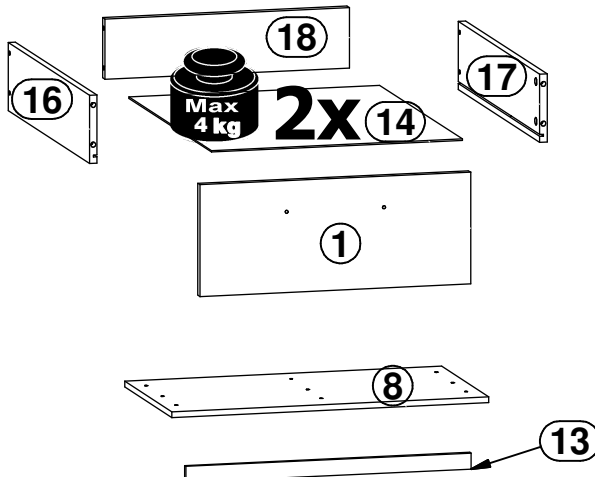
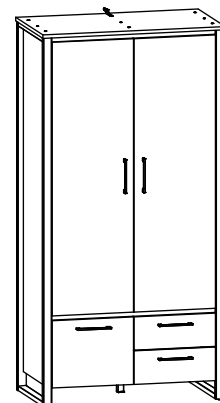
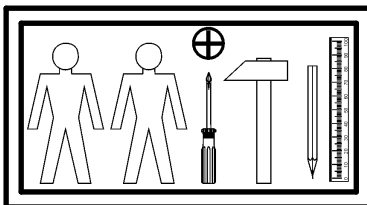
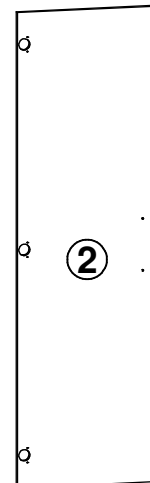
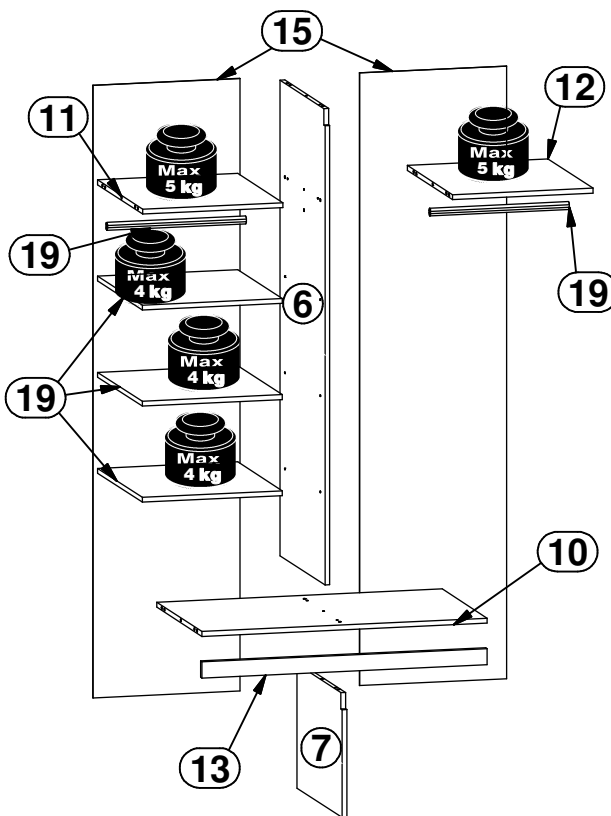
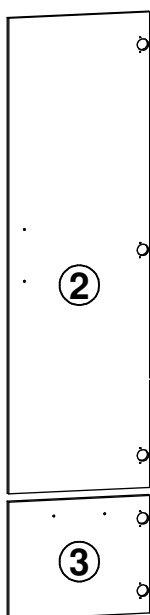
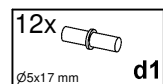


A	B	C	D	
1	S604-0001	445	180	3/3
2	S604-0002	1469	445	3/3
3	S604-0003	445	363	3/3
4	S604-1001	1982	550	2/3
5	S604-1002	1982	550	2/3
6	S604-1003	1469	530	3/3
7	S604-1004	383	530	3/3
8	S604-2001	999	555	1/3
9	S604-3001	899	530	1/3
10	S604-3002	899	530	1/3
11	S604-3003	442	530	1/3
12	S604-3004	442	530	1/3
13	S604-4002	899	50	3/3
14	S604-9001	412	507	1/3
15	S604-9002	1892	463	2/3
16	ZQ6-523	500	110	1/3
17	ZQ6-524	500	110	1/3
18	ZQ6-5341	402	97	1/3
19	dr-437	437	22	1/3

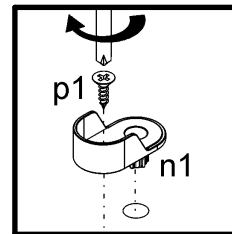
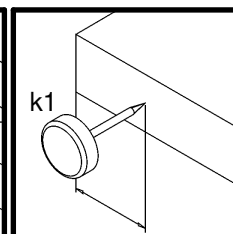
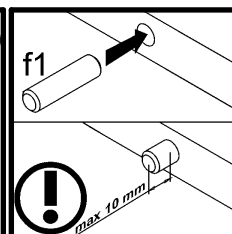
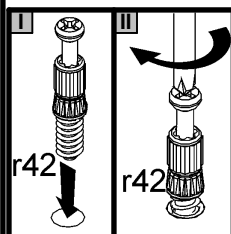
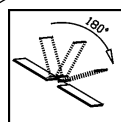
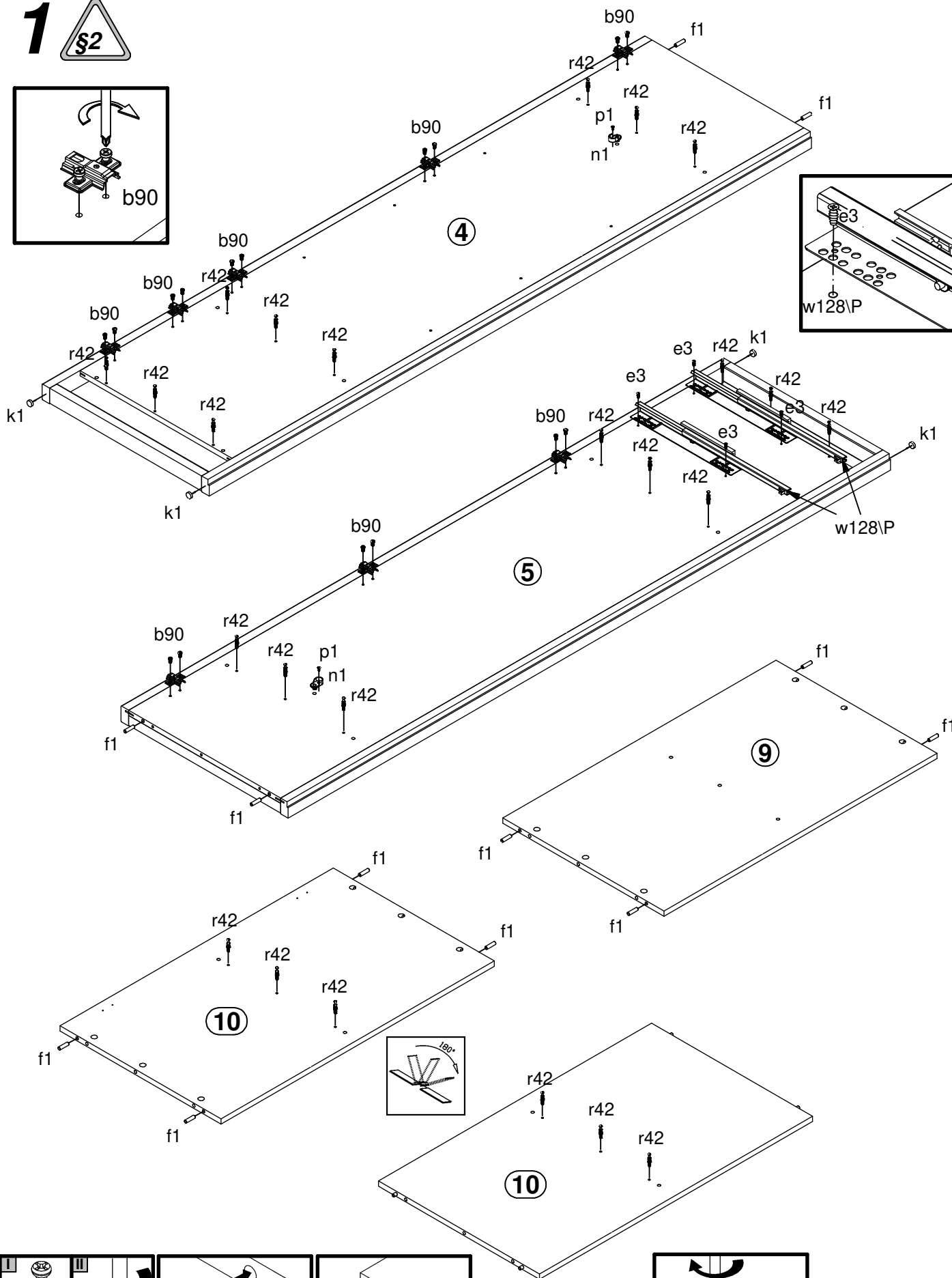
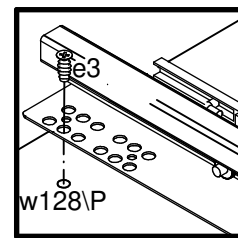
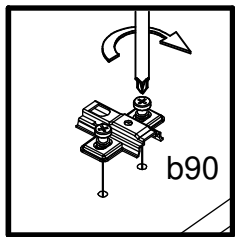


19	S604-3005	441	525	1/1
----	-----------	-----	-----	-----

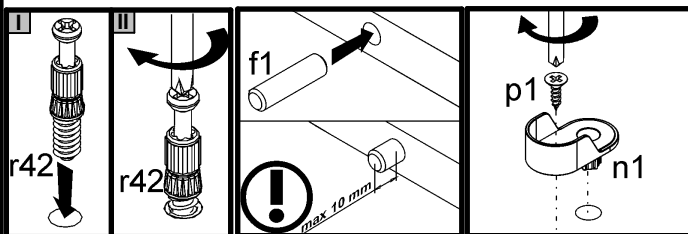
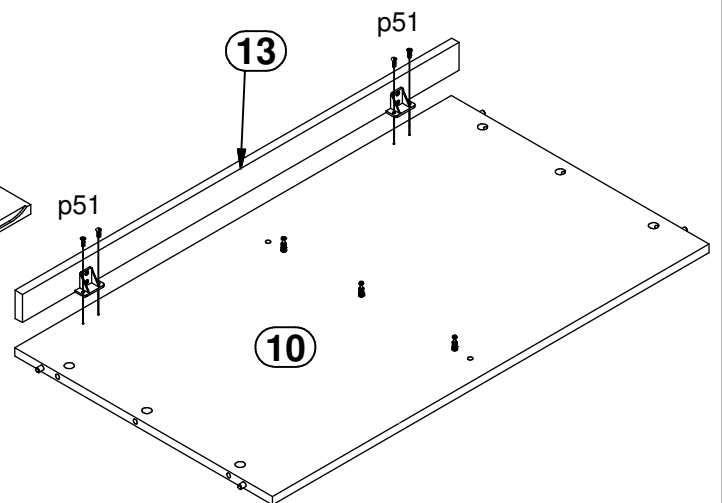
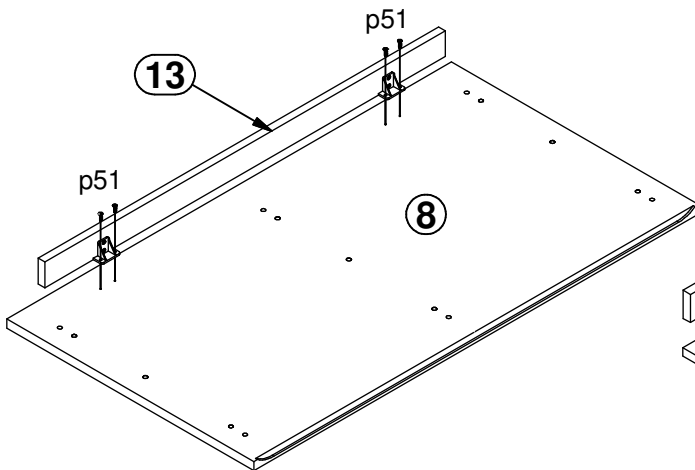
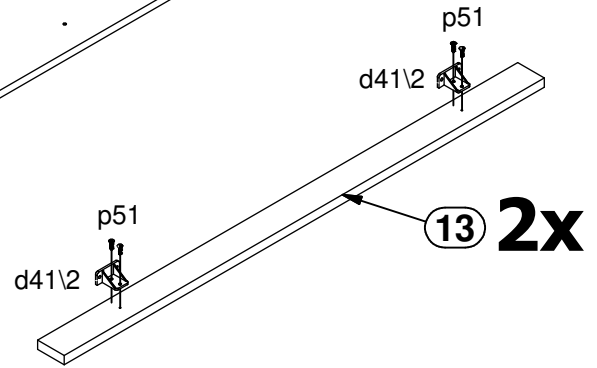
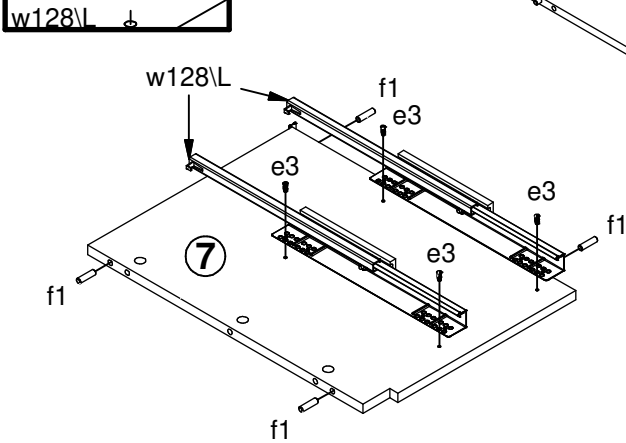
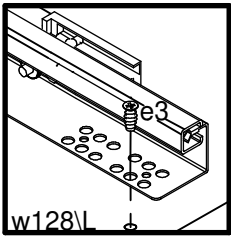
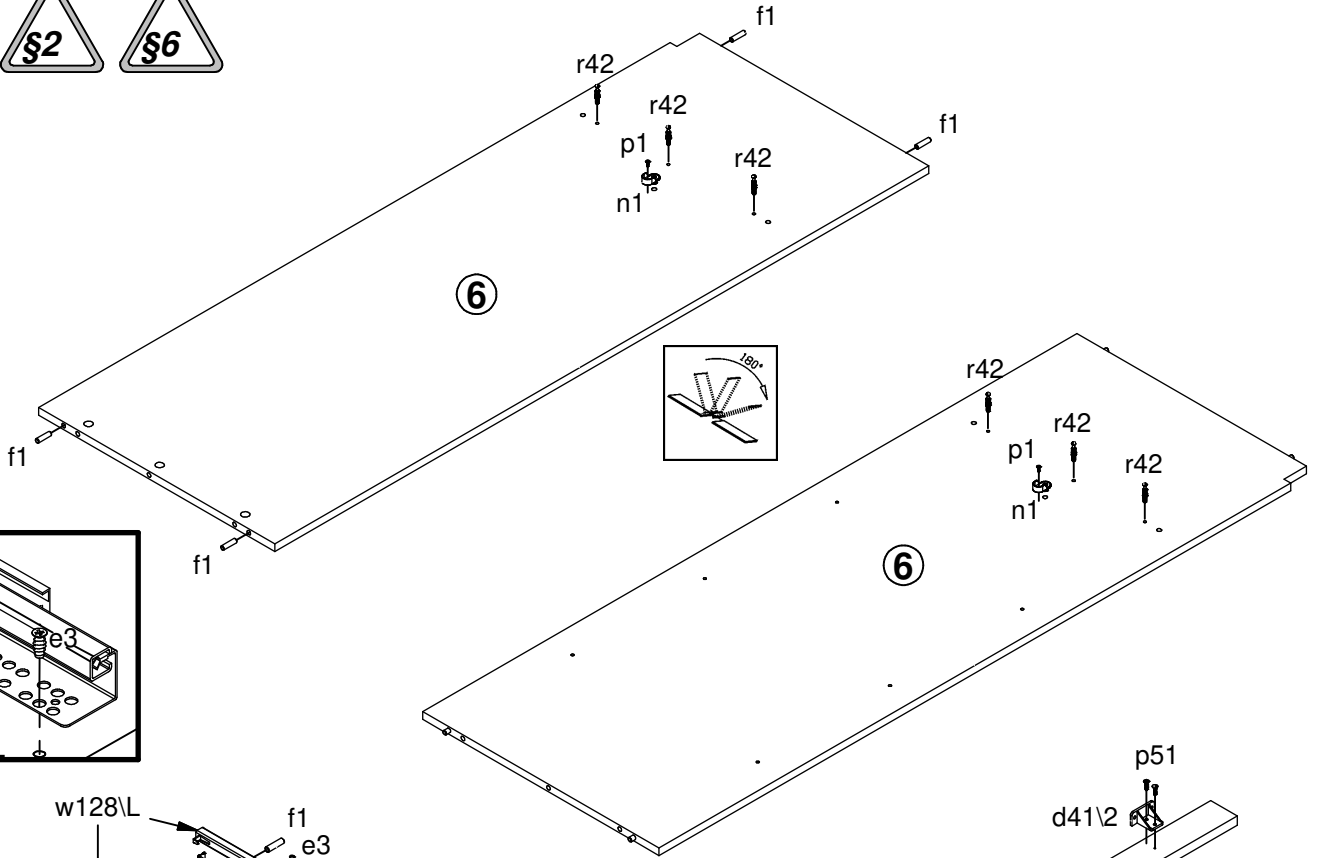


5x hamulec a203	3x a210	8x b90	5x c280/6	4x d41/2	12x Ø7x50 mm e1	8x Ø6x13 mm e3	28x Ø8x30 mm f1	8x Ø6.5x40 mm f25
1x Ø10x50 mm f35	10x M4x22 mm j30	4x k1	1x 42.5x42.5/4 mm k38/3	1x 30x30/89 mm k38/4	4x h=22mm n1	10x 22x9.5x20/0.7 mm n108	1x 88x21x15/1.5 n14/2	4x Ø3.5x13 mm p1
1x Ø5x60 mm p17	38x Ø3.5x15 mm p51	58x Ø2.9x16 mm p55	30x Ø15x12 mm #16 r1	8x Ø12x10.5 mm #12 r15	38x 20/11 r42	15x Ø 20mm s68	2x 500 mm w128\L	2x 500 mm w128\P
1x 4 mm z1								

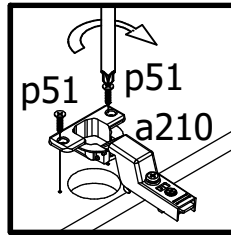
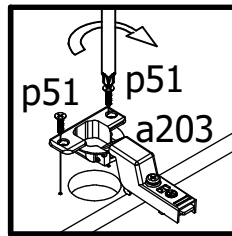
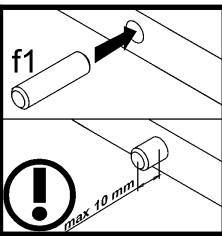
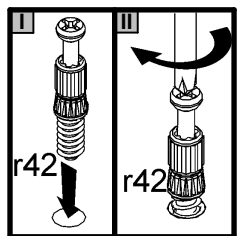
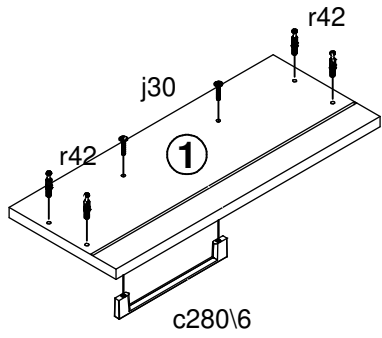
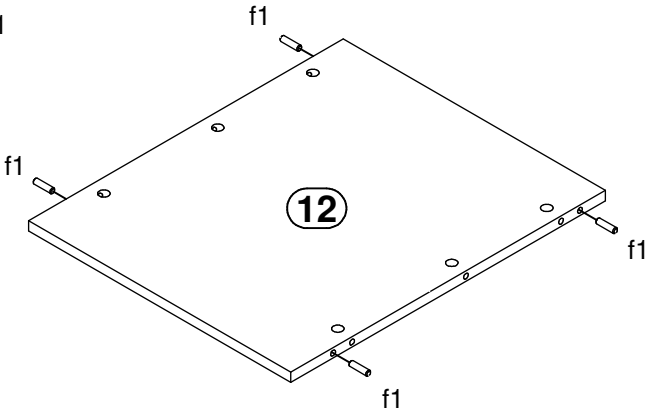
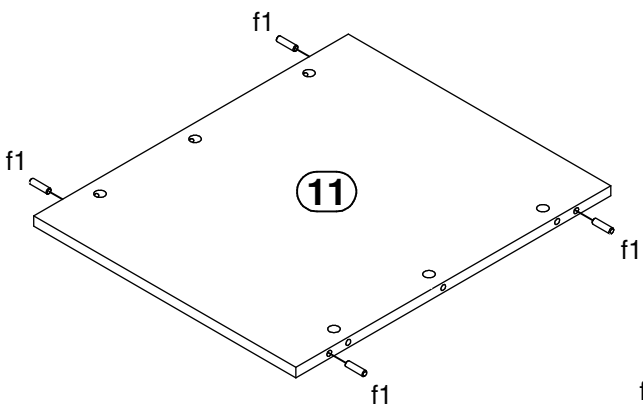
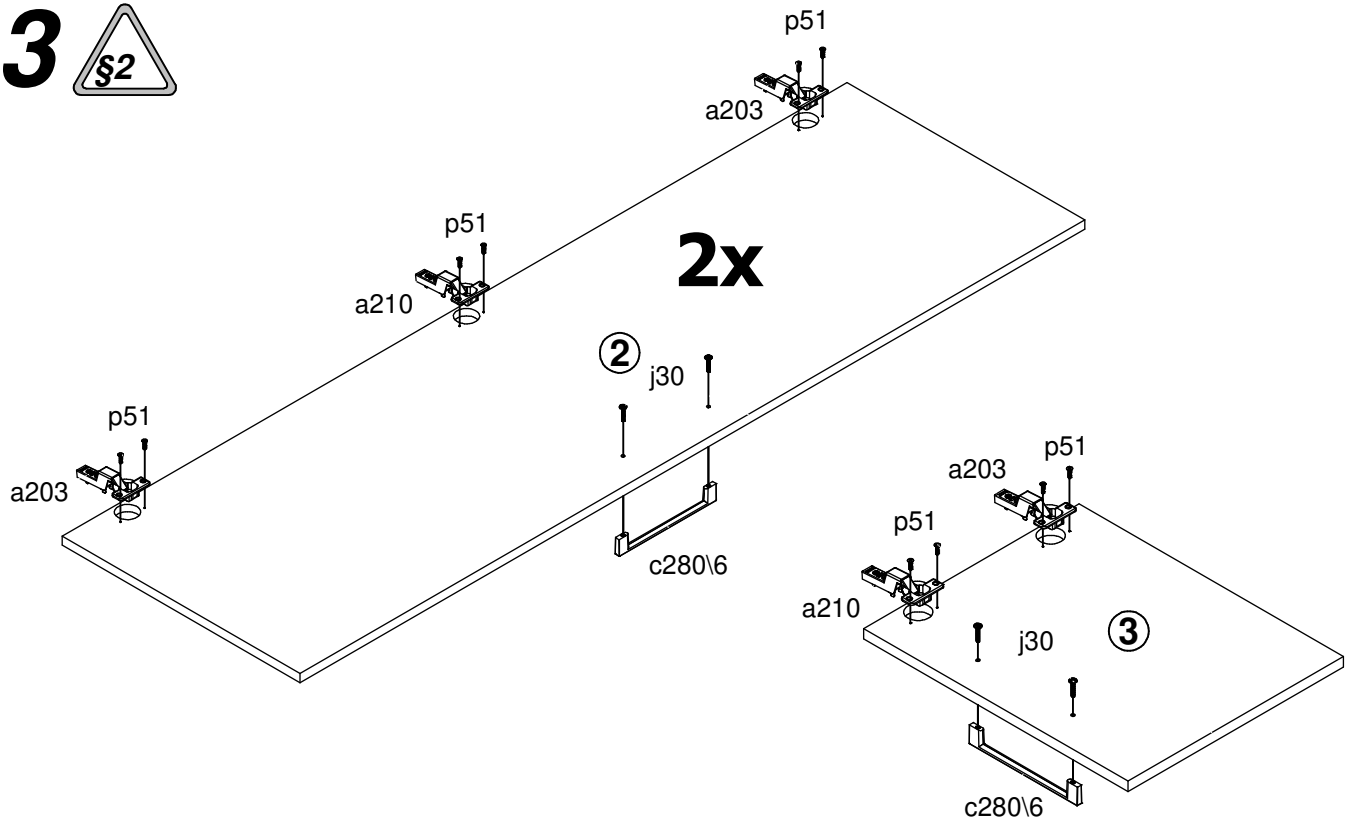
1

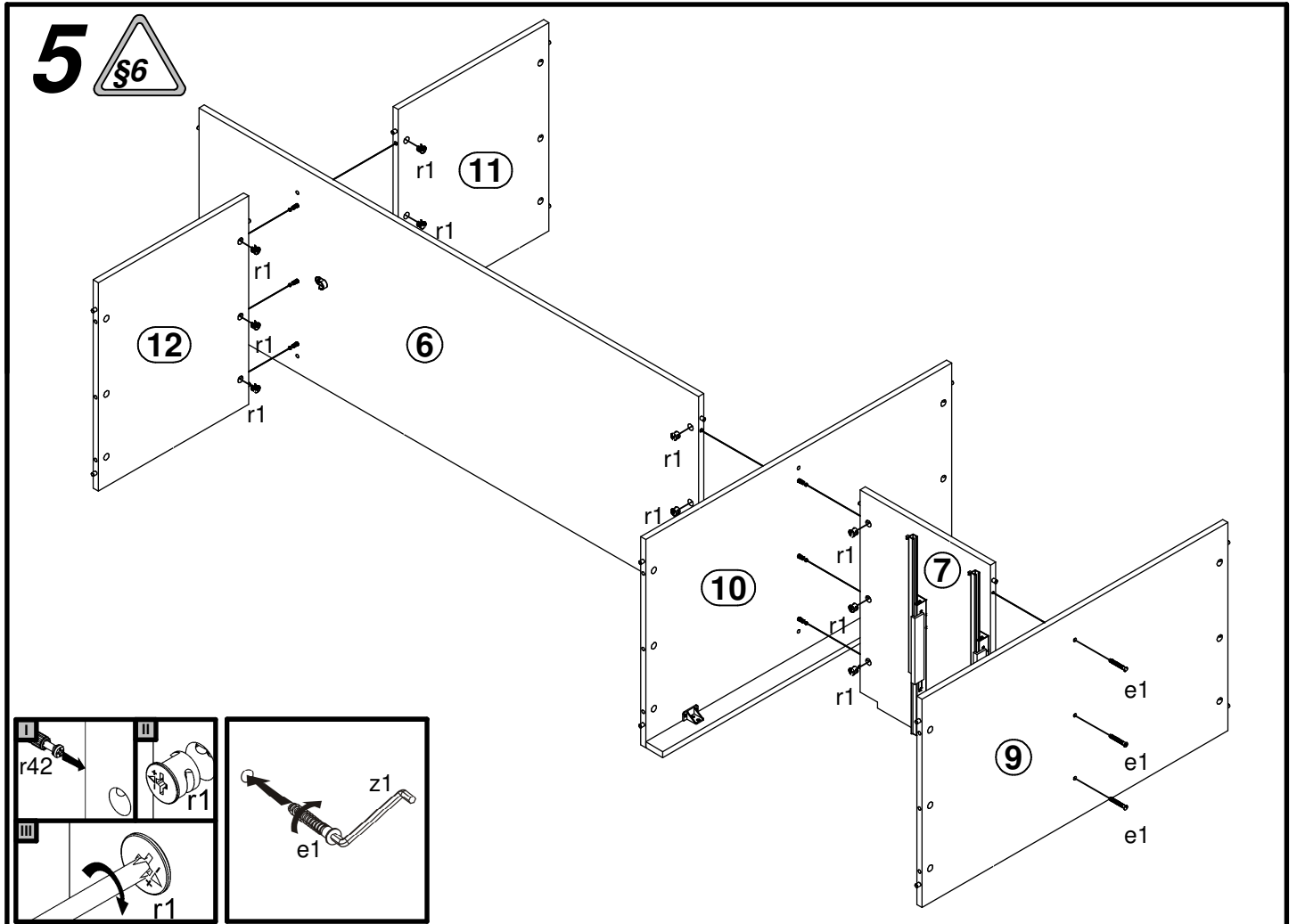
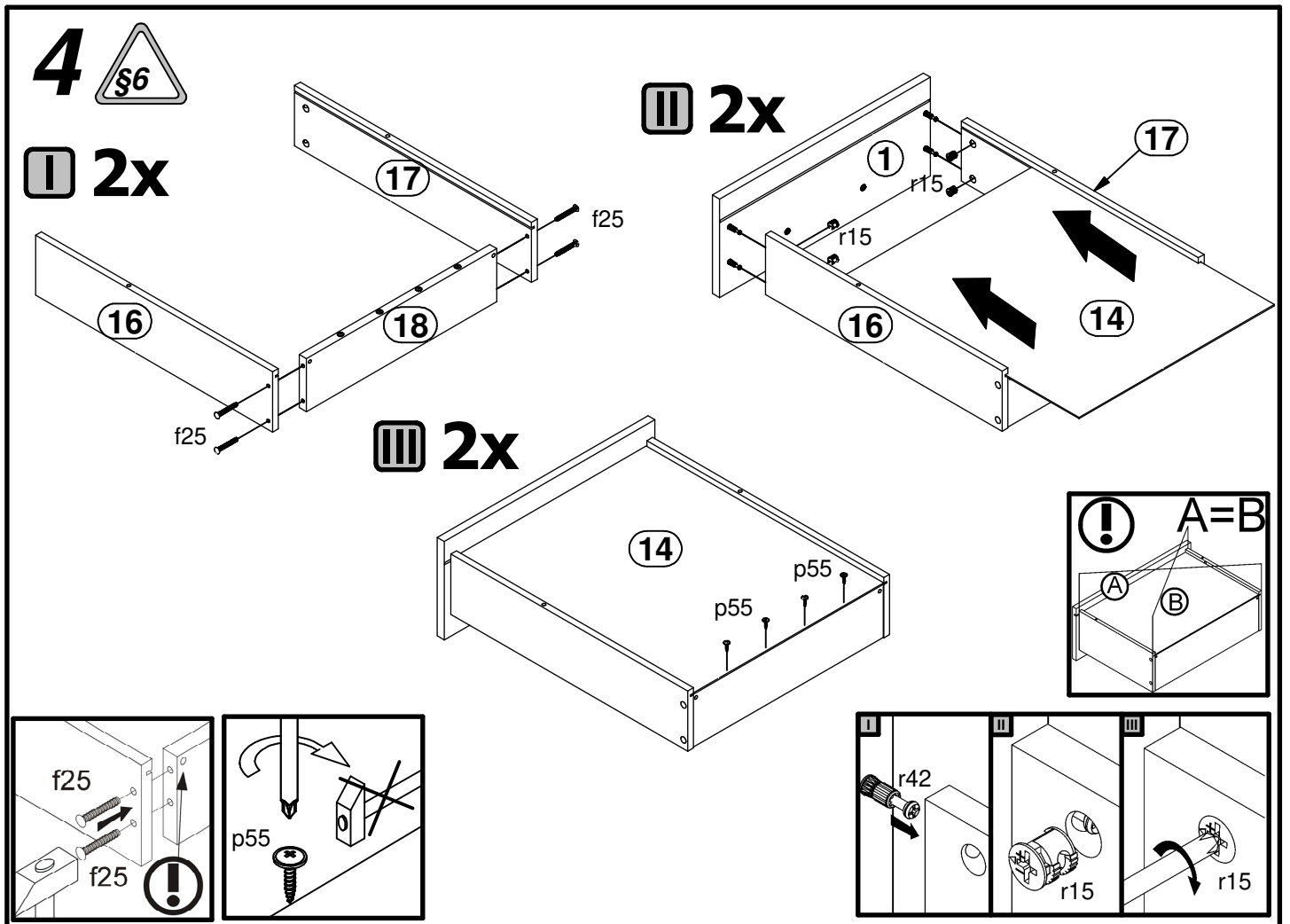


2

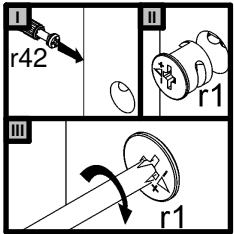
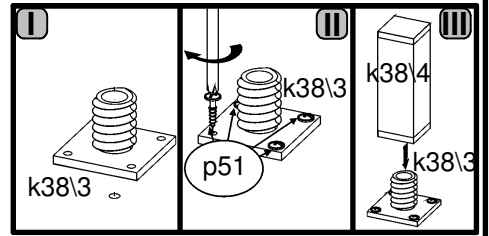
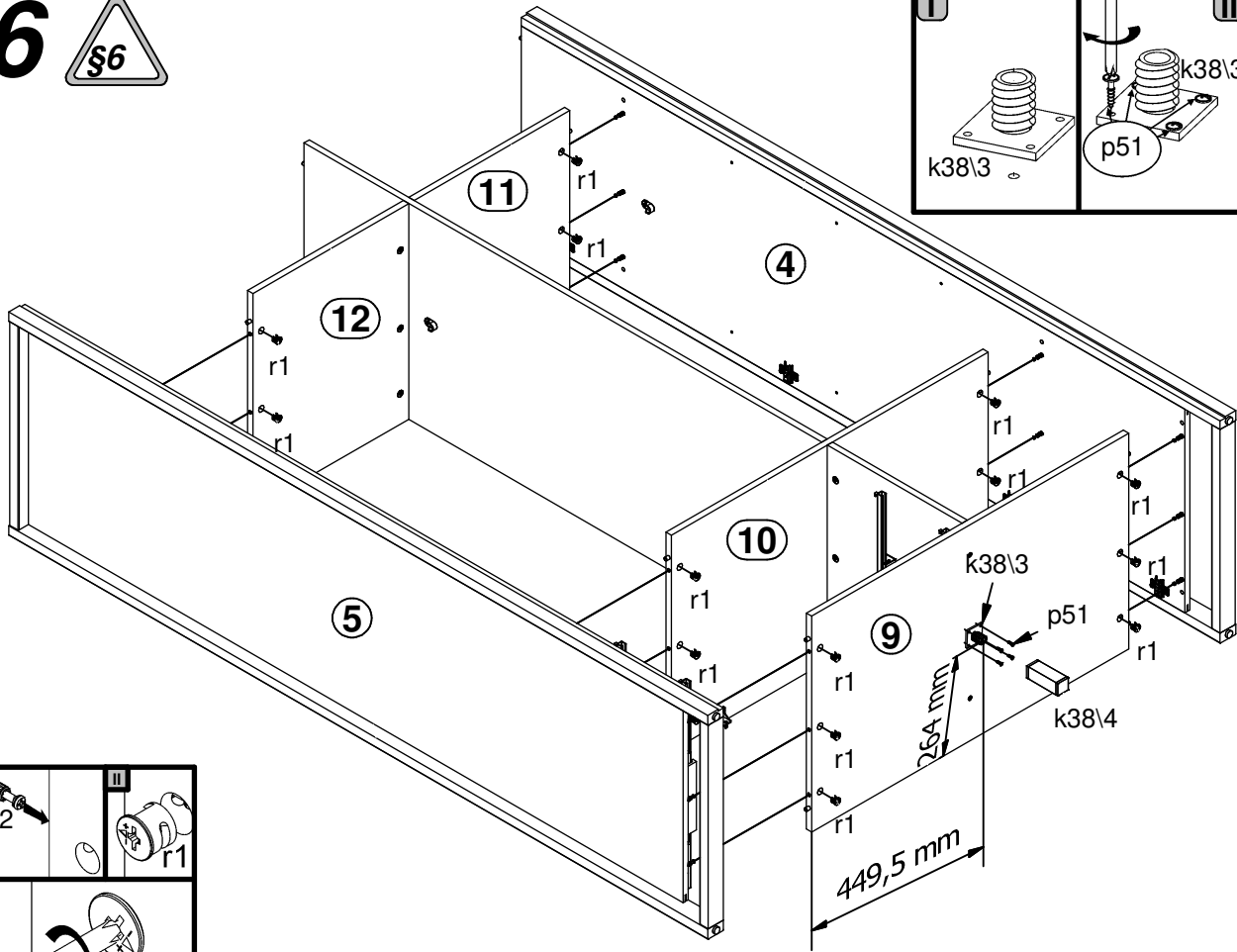


3

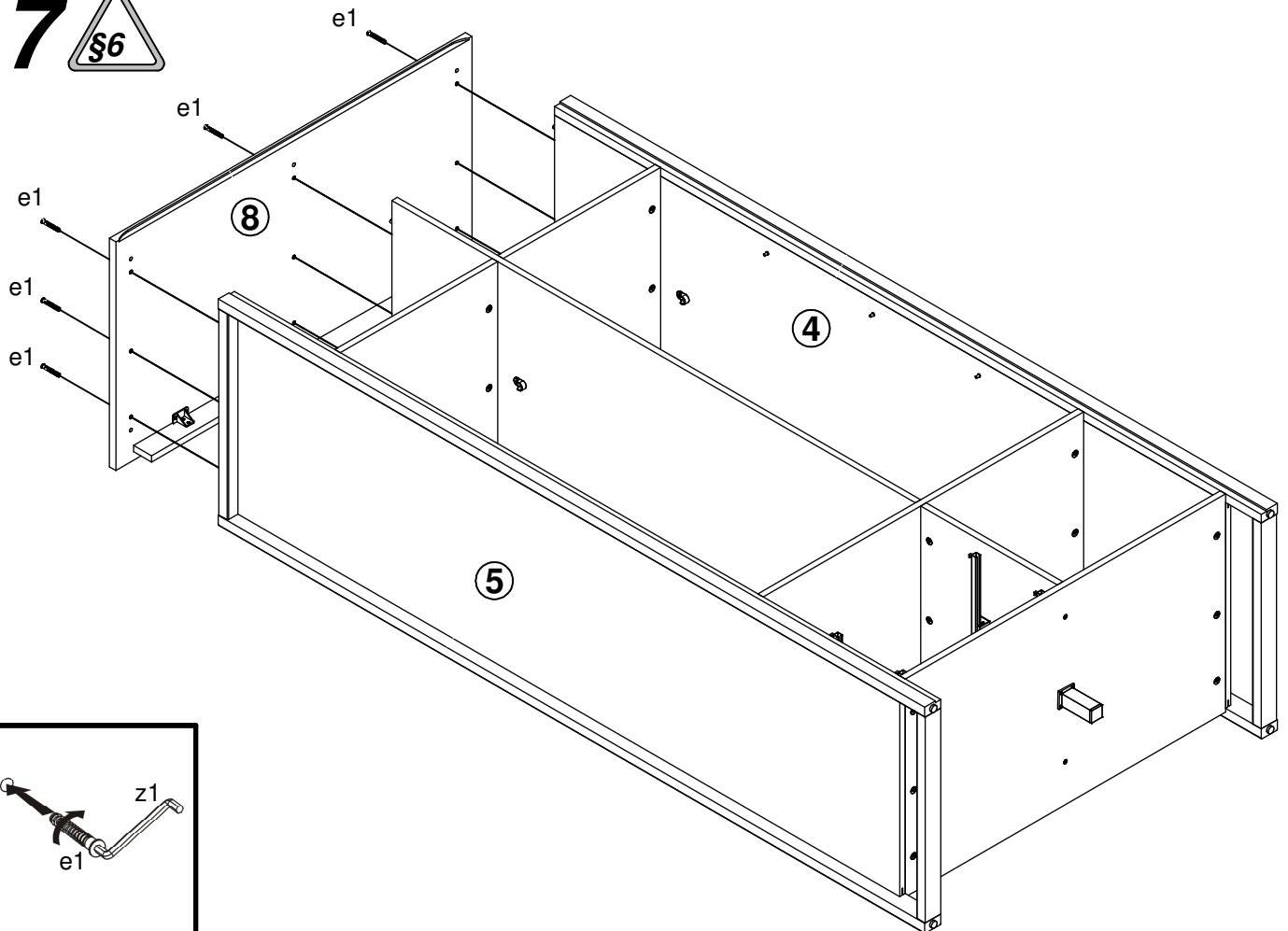




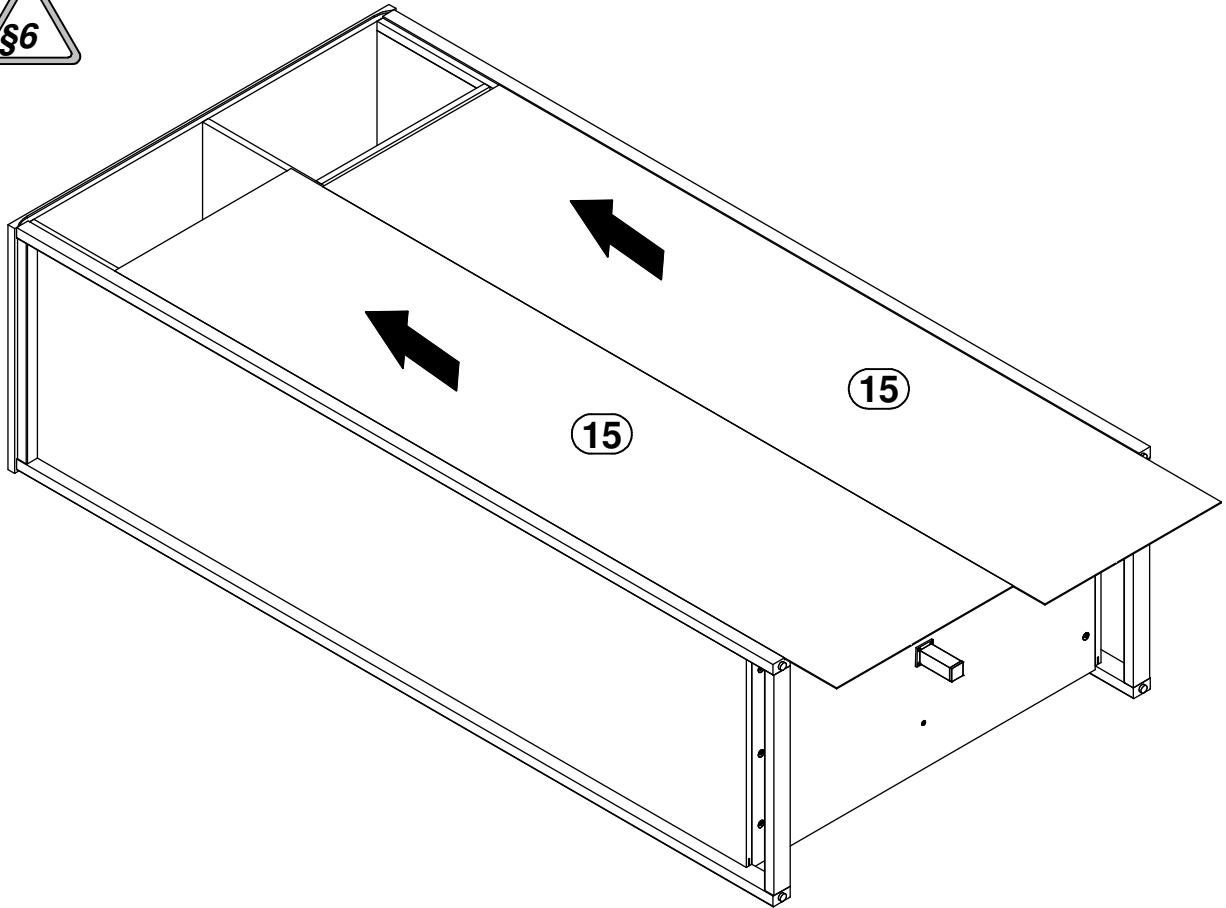
6



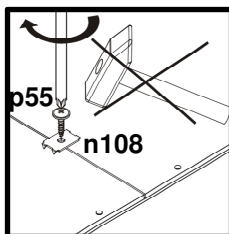
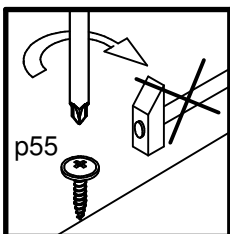
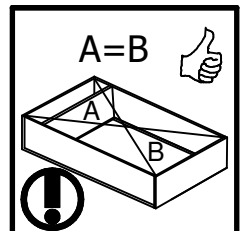
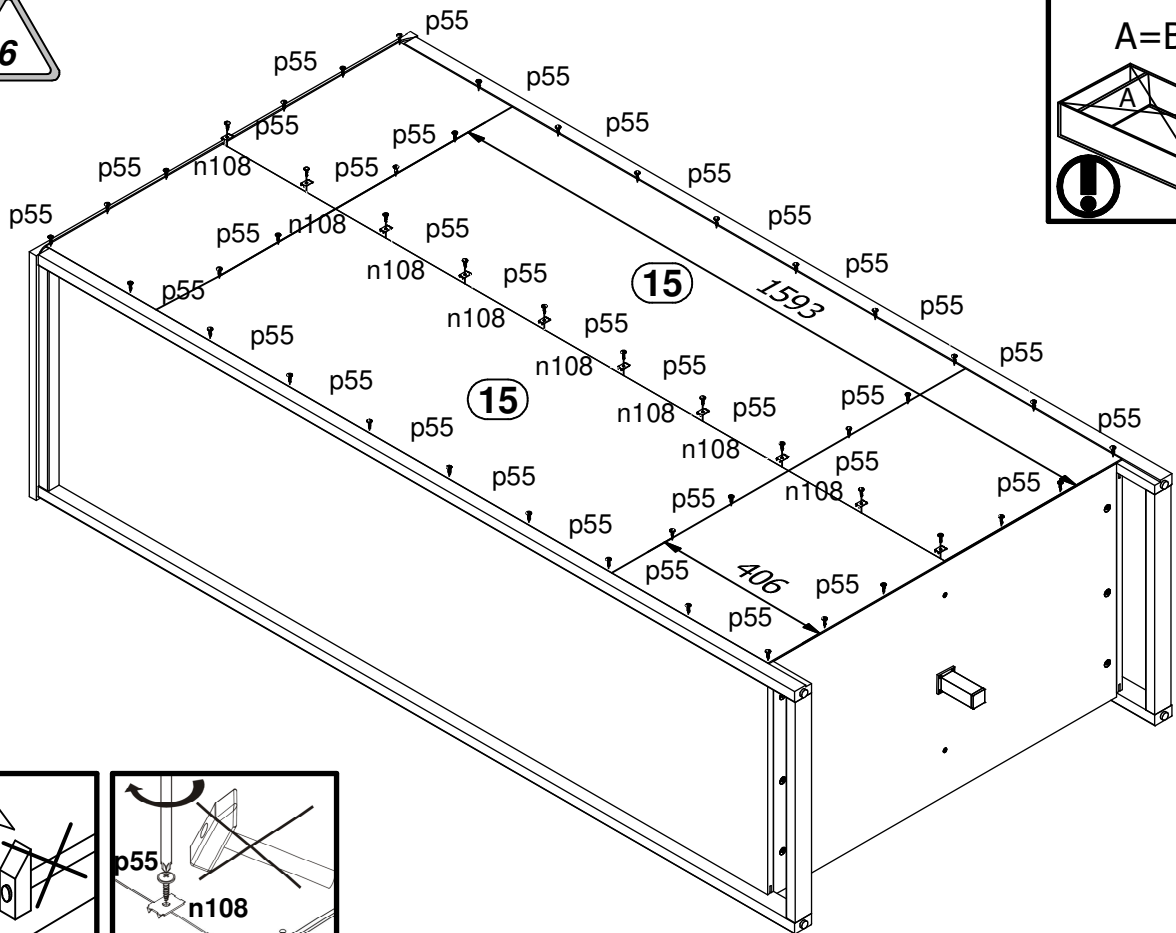
7



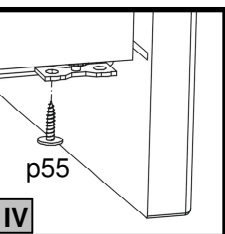
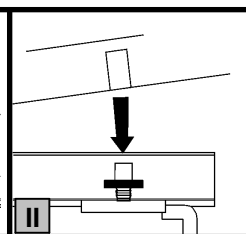
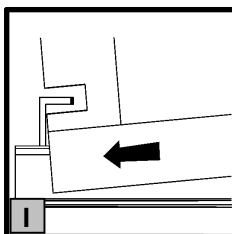
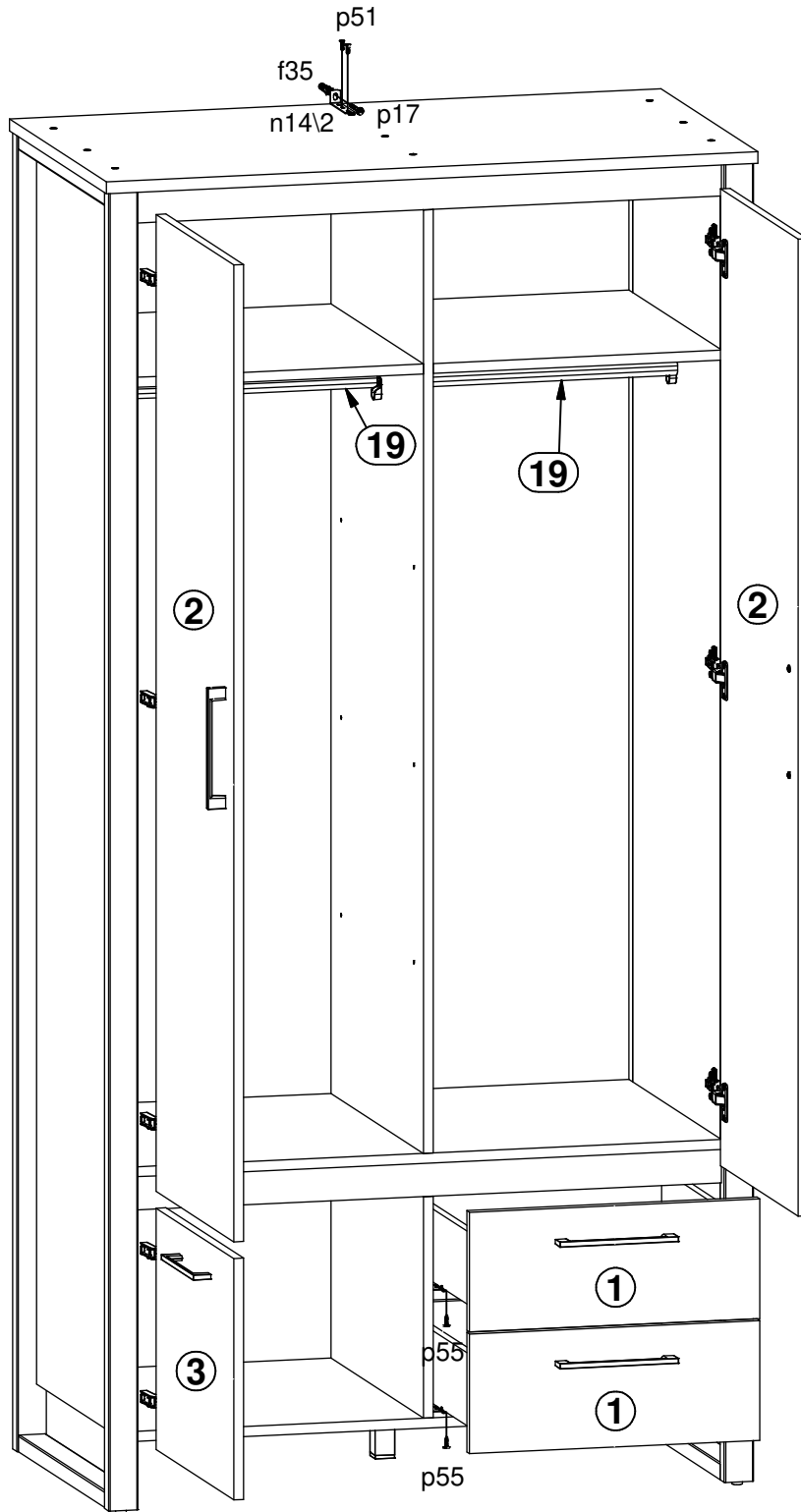
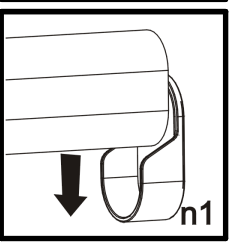
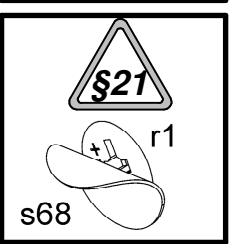
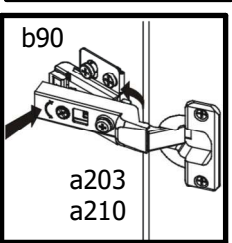
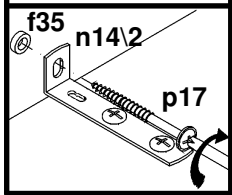
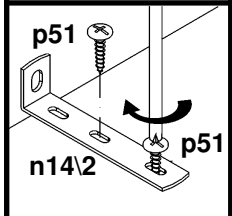
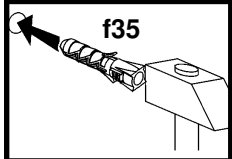
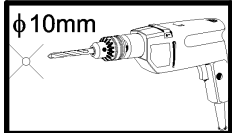
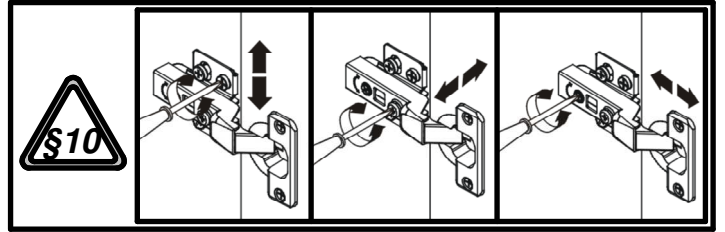
8



9



10



11

