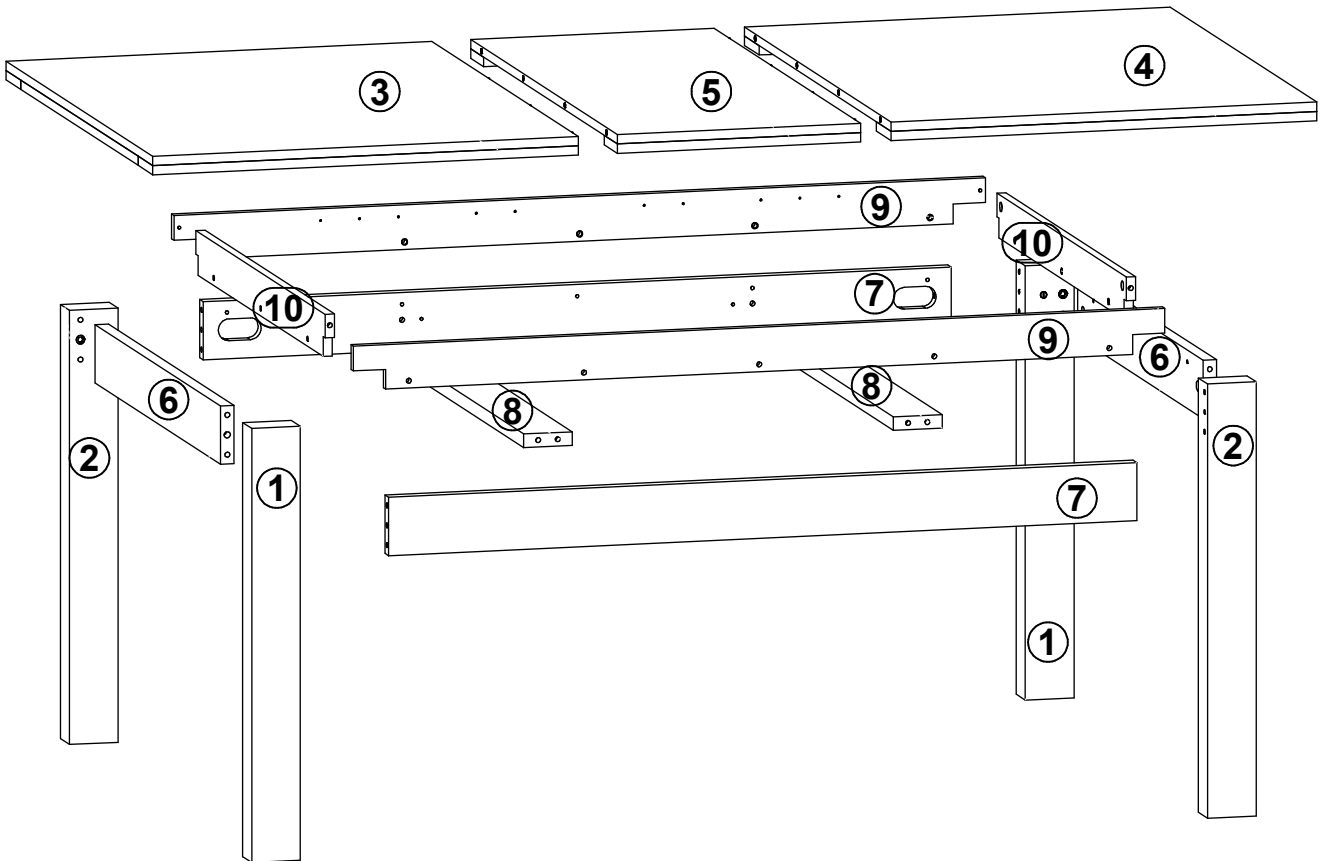
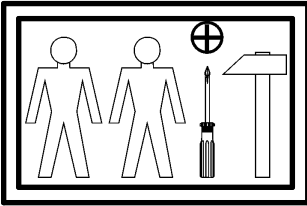
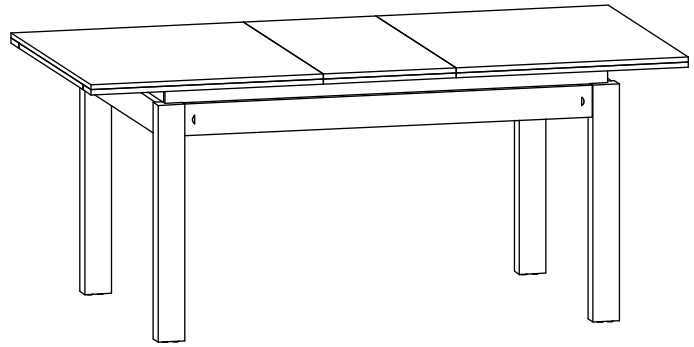
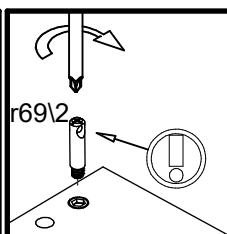
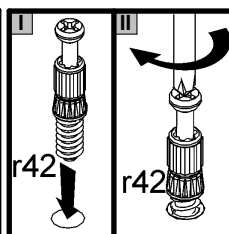
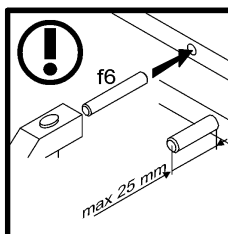
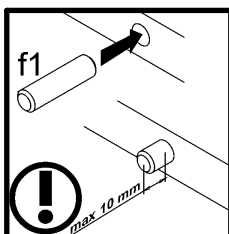
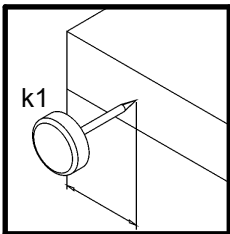
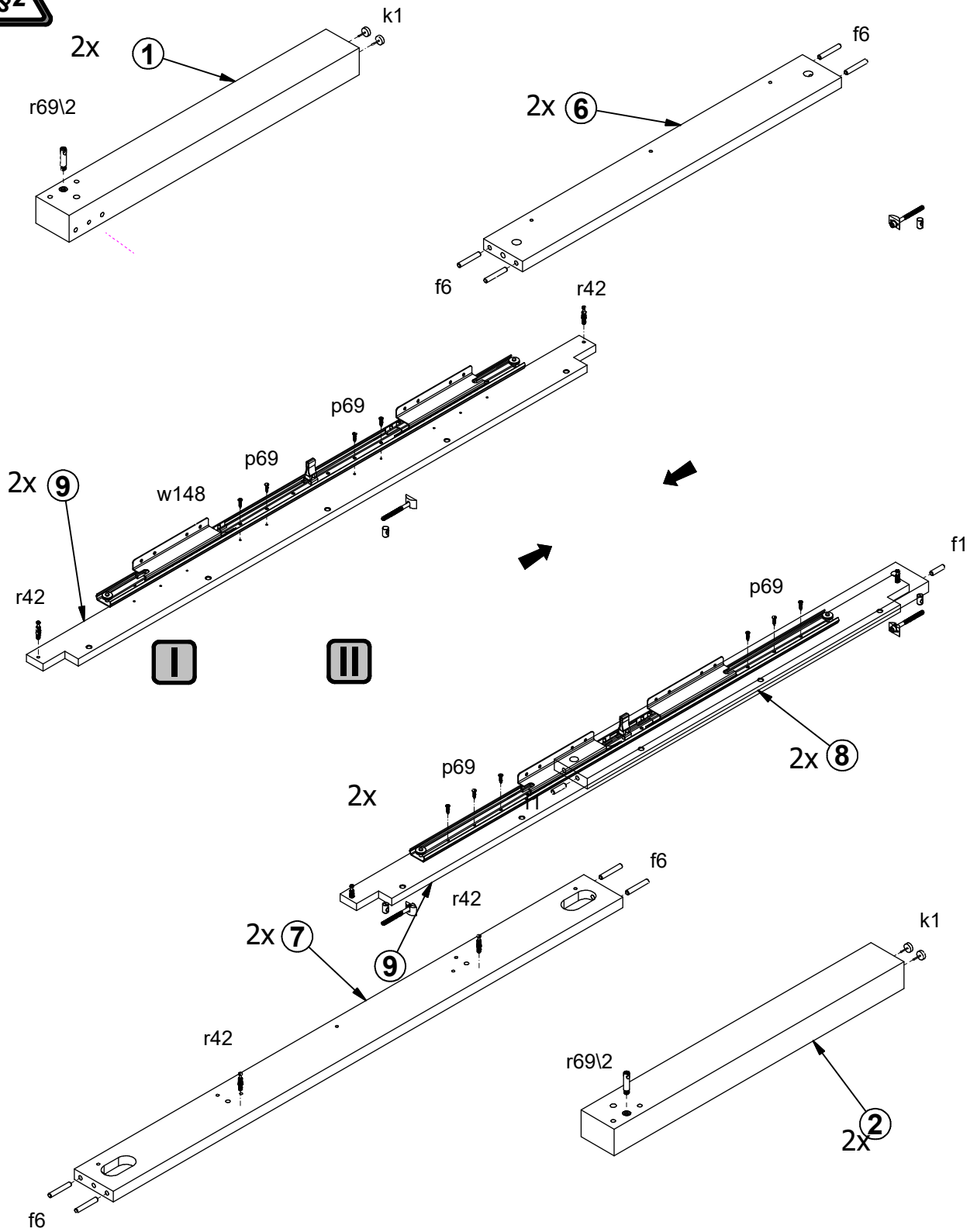


A	B	C		D
1	S488-1026	700	80	2/2
2	S488-1027	700	80	2/2
3	S488-2008	900	700	1/2
4	S488-2009	900	700	1/2
5	S488-2010	900	400	1/2
6	S488-4004	770	94	2/2
7	S488-4005	1230	94	2/2
8	S488-4006	824	80	1/2
9	S488-4007	1334	72	2/2
10	S488-4008	794	70	2/2

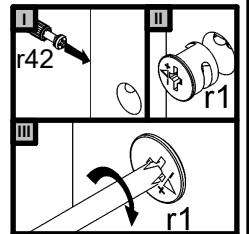
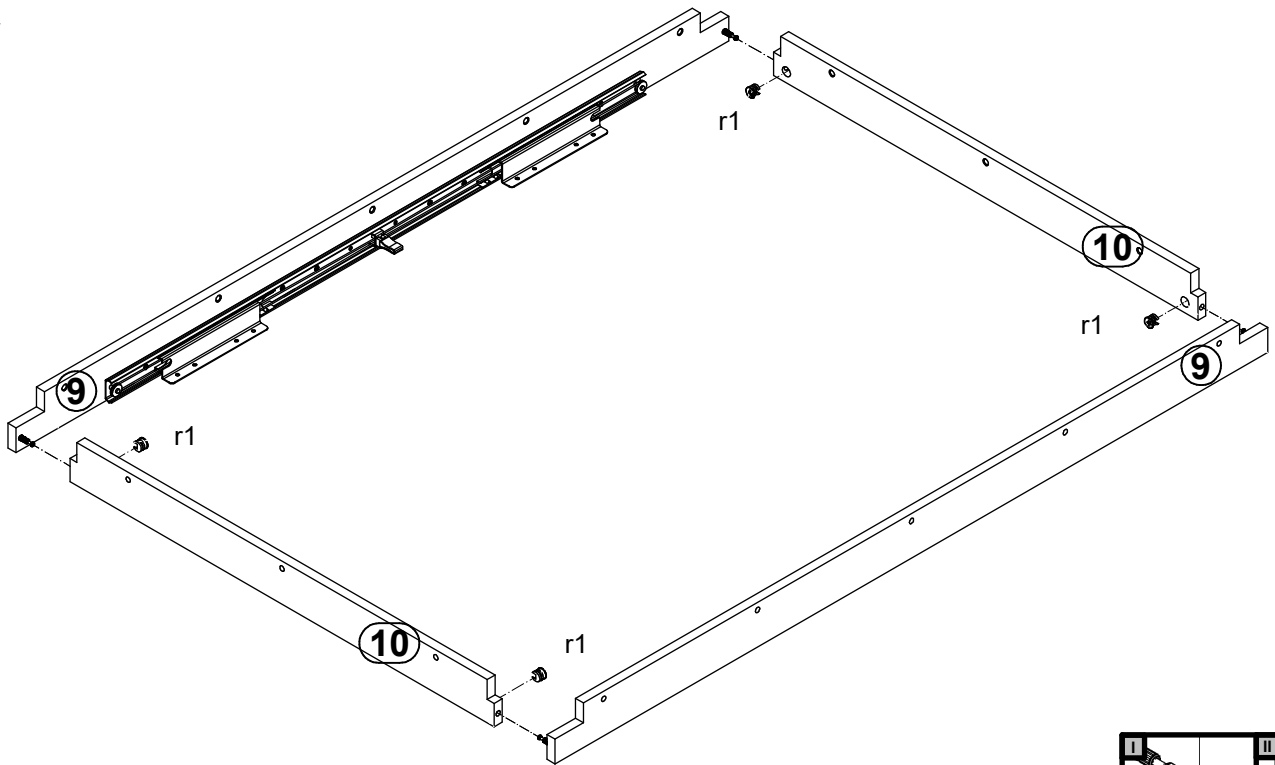


16x Ø7x28 mm e22	4x Ø8x30 mm f1	16x Ø8x50 mm f6	4x M10x12 mm j172/2	4x M6x70 mm j72	8x k1	4x o35	36x Ø4x16 mm p69	8x Ø15x12 mm #16 r1
8x 20/11 r42	4x Ø10x16 mm r43	4x Ø16x18mm/M10 r68/2	4x Ø10x36mm M8x9mm r69/2	2x L-1000mm w148	1x 5 mm z17	1x 4 mm z1		

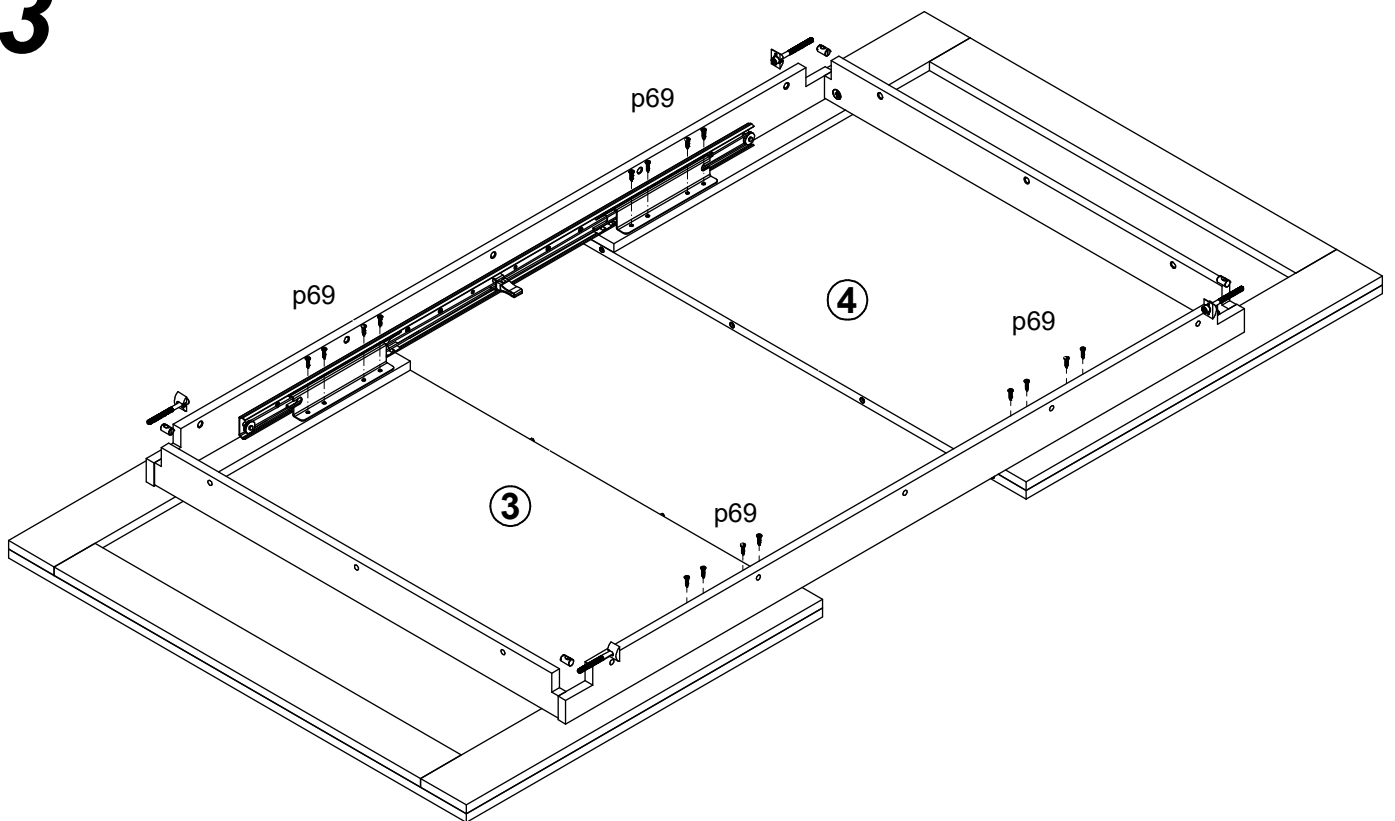
1 



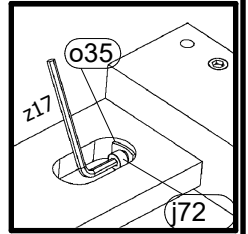
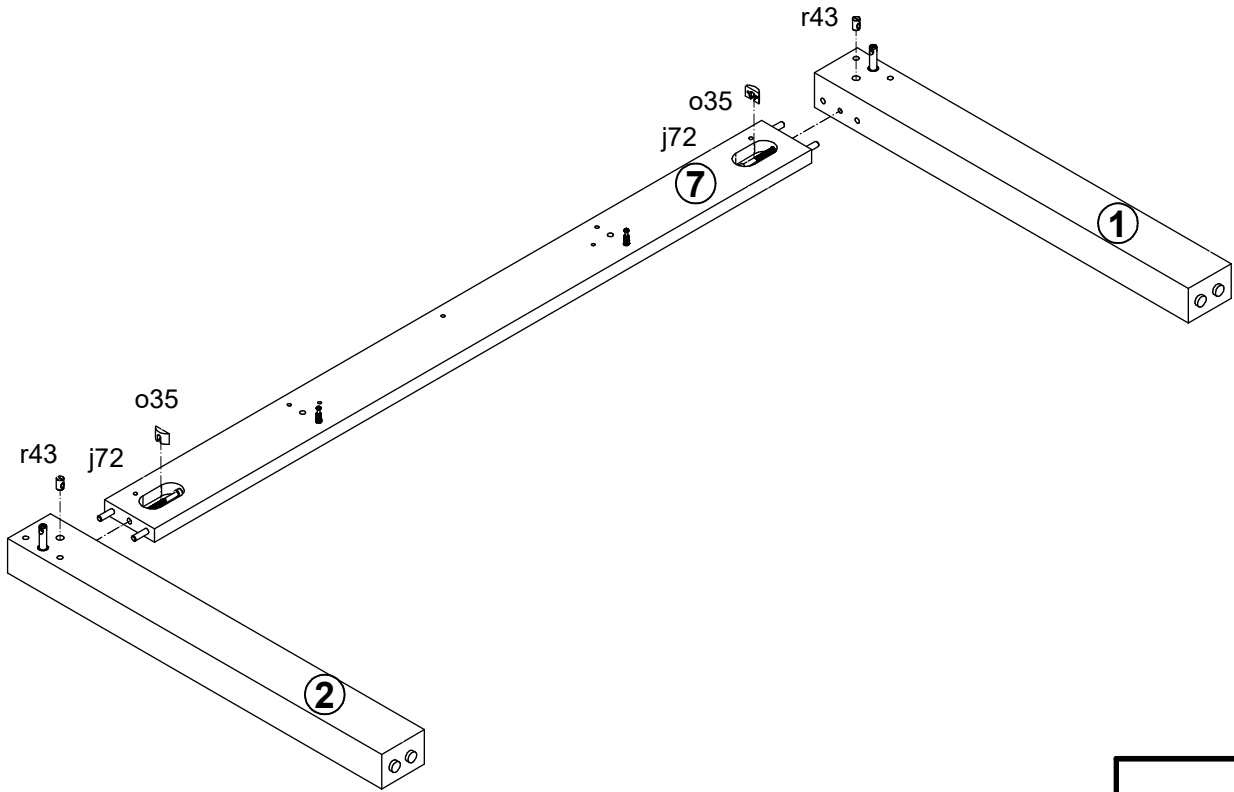
2



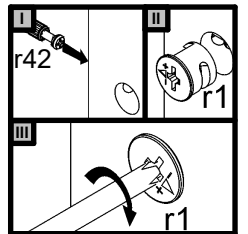
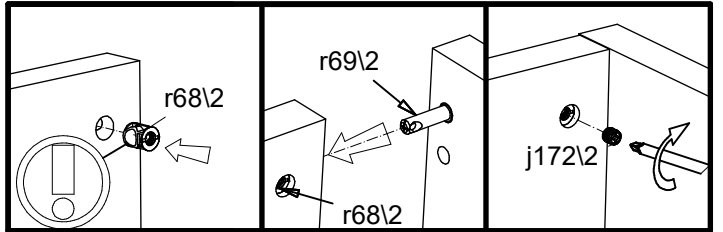
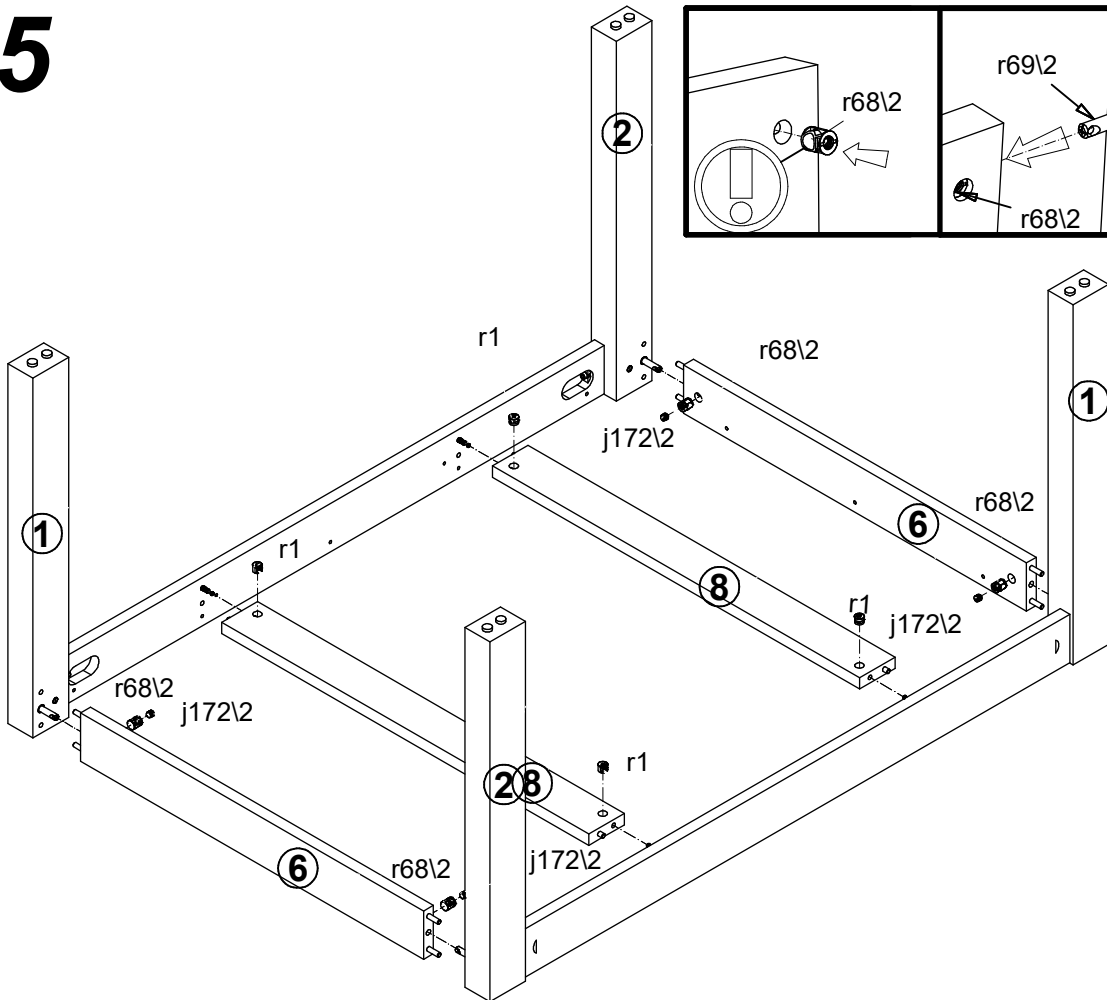
3



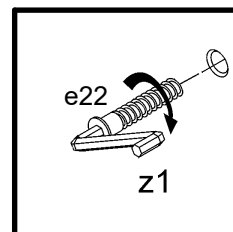
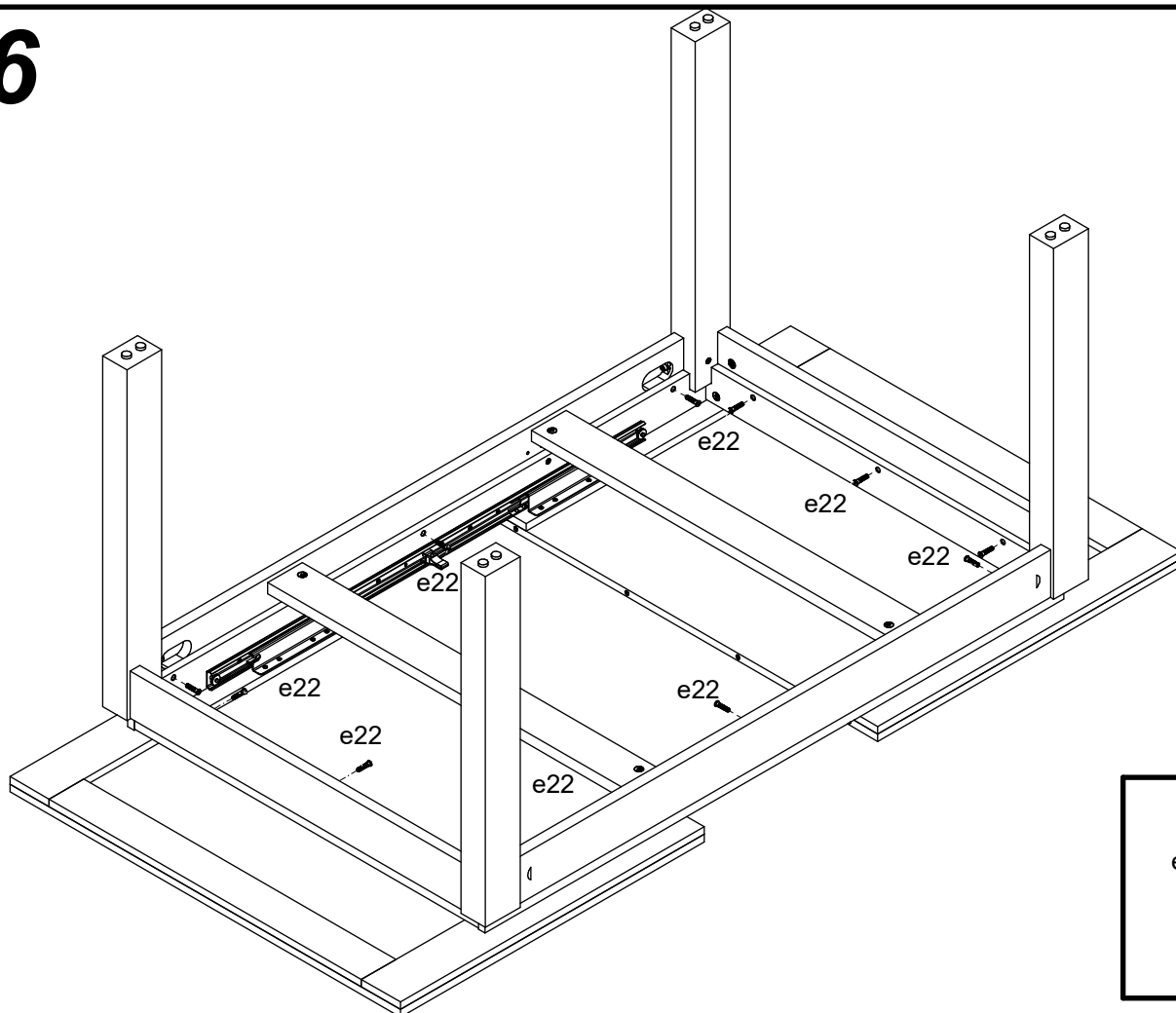
4



5



6



7

