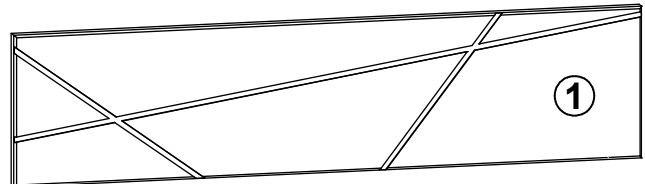
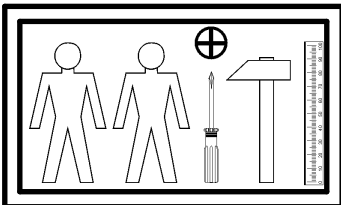
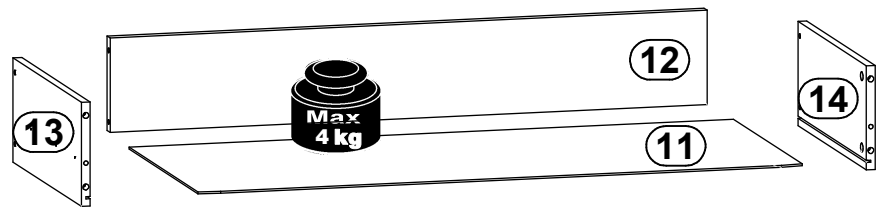
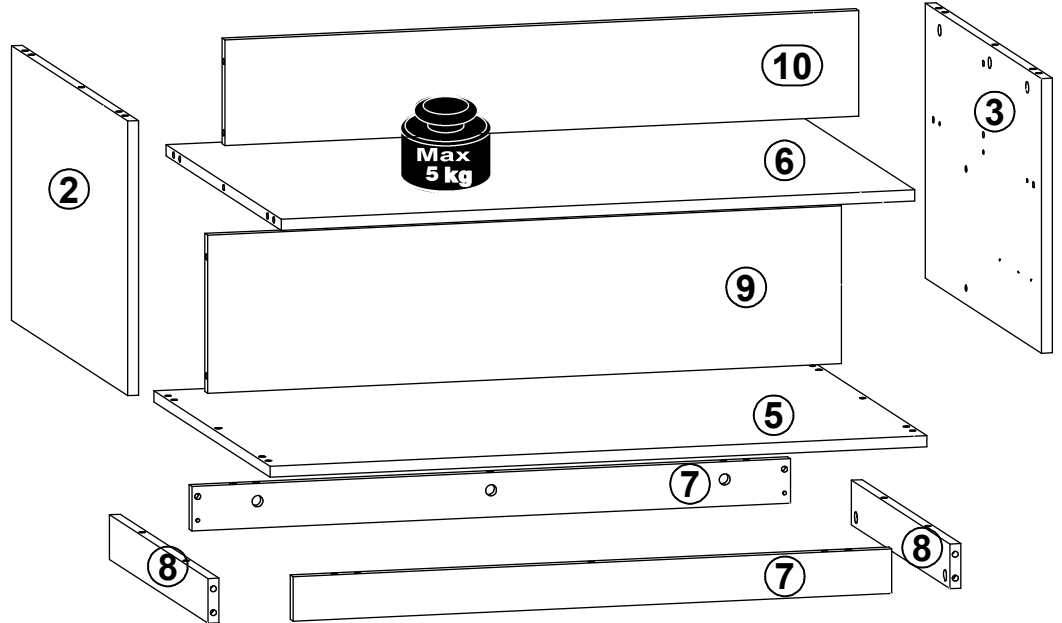
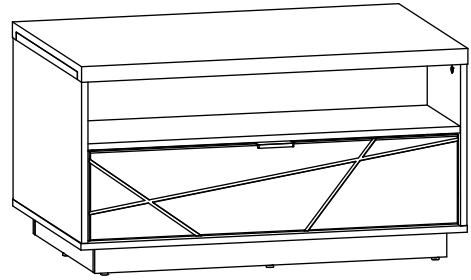
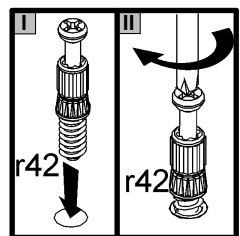
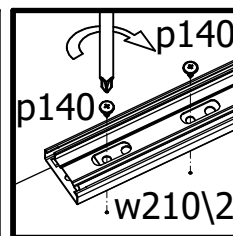
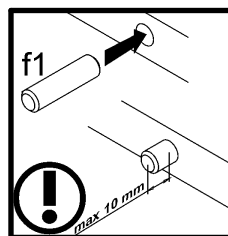
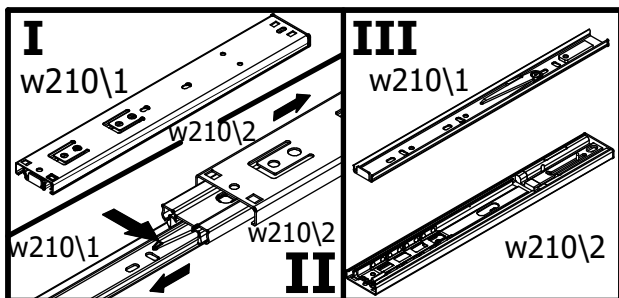
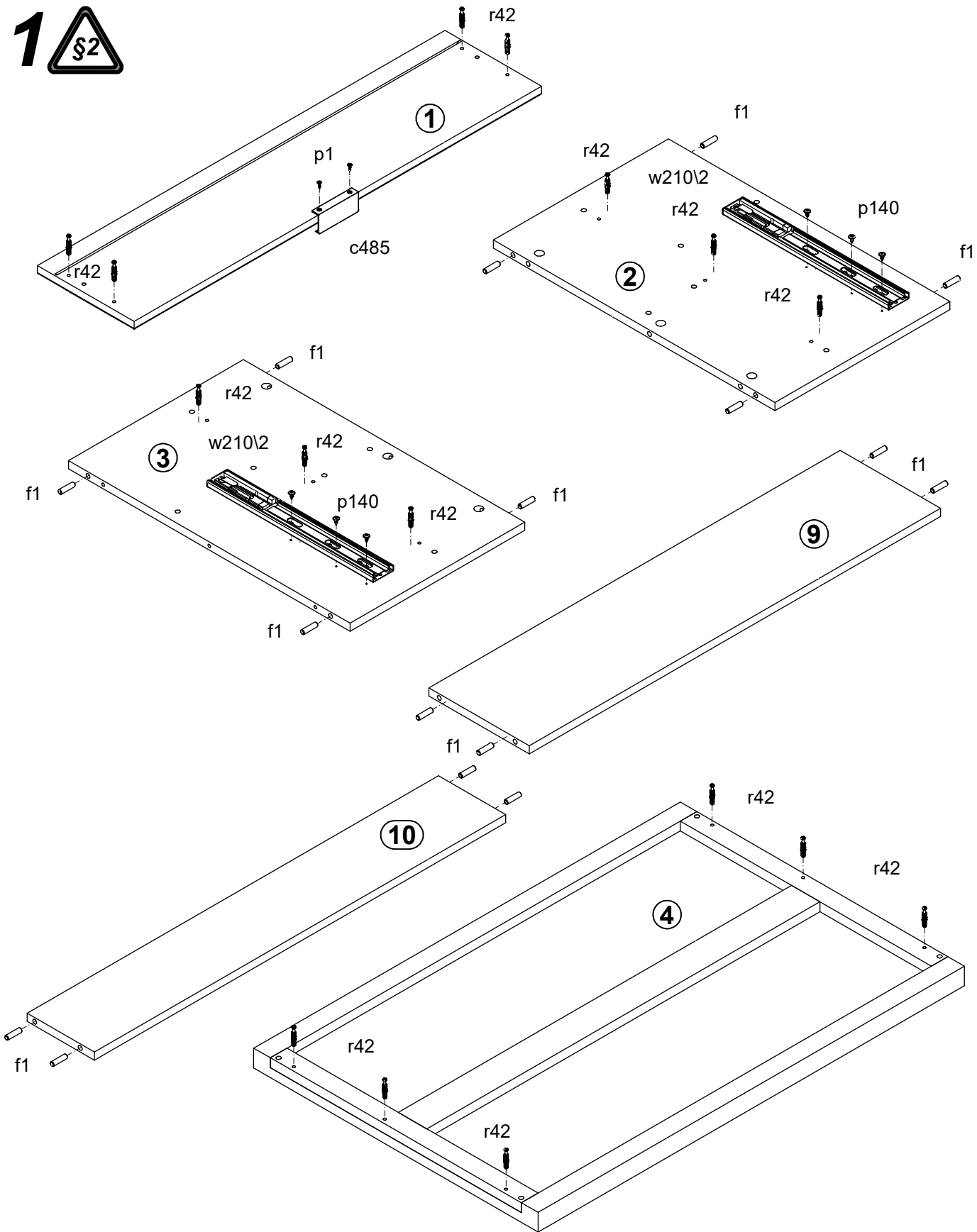


A	B	C	D	
1	S471-0035	860	204	2/2
2	S471-1028	369	594	2/2
3	S471-1029	369	594	2/2
4	S471-2022	900	600	1/2
5	S471-2023	900	594	1/2
6	S471-3018	868	590	2/2
7	S471-4019	820	60	1/2
8	S471-4026	504	60	2/2
9	S471-4027	868	212	2/2
10	S471-4028	868	142	2/2
11	S471-9012	828	357	2/2
12	ZK3-5159	818	127	1/2
13	ZK4-513	350	140	1/2
14	ZK4-514	350	140	1/2

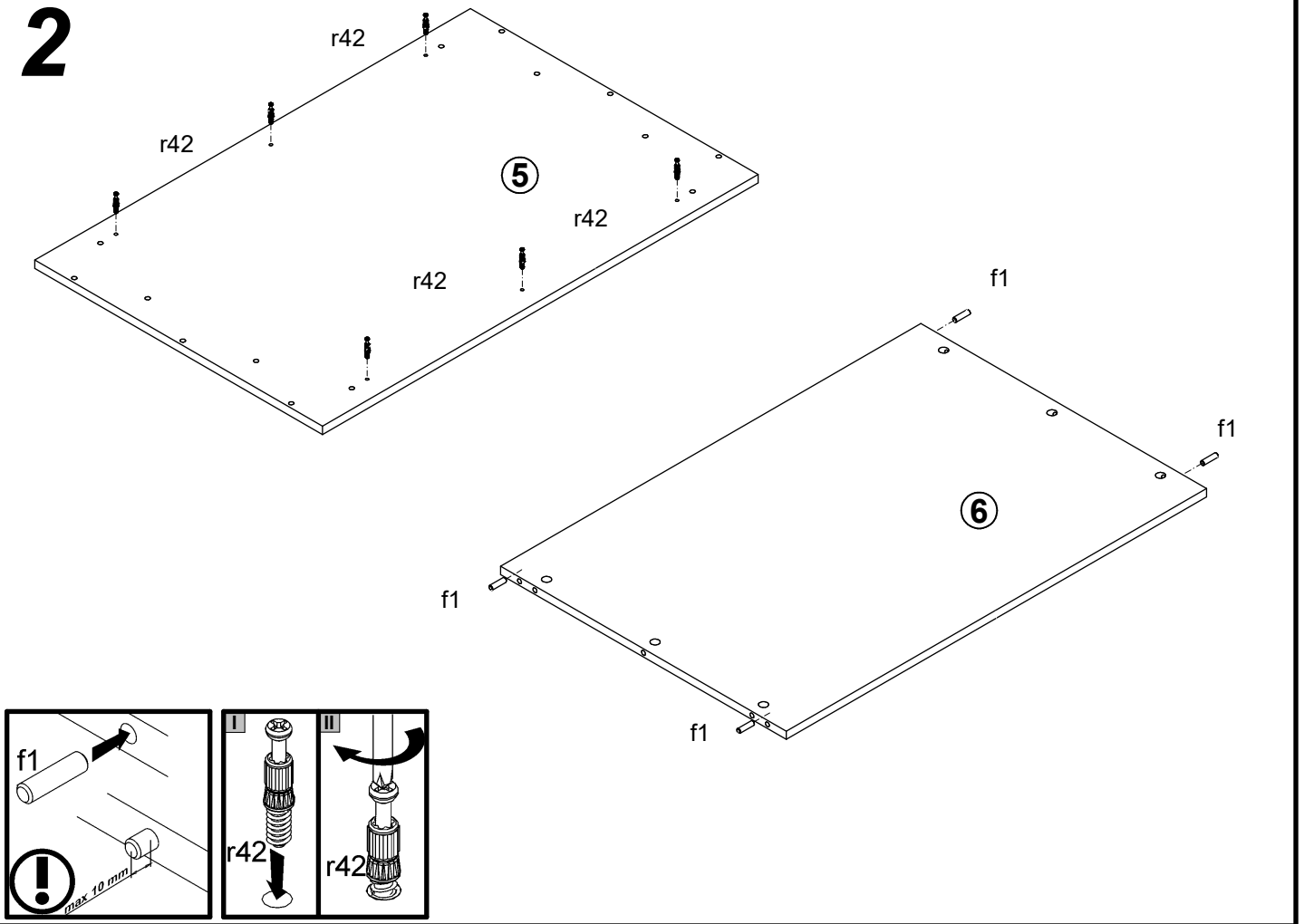


6x Ø7x50 mm e1	32x Ø8x30 mm f1	4x Ø6.5x40 mm f25	2x Ø6x30 mm f9	8x k1	2x Ø3.5x13 mm p1	12x Ø3.5x12 mm p140	1x Ø3.5x10 mm p35	1x Ø3.5x15 mm p51
6x Ø2.9x16 mm p55	22x Ø15x12 mm #16 r1	4x Ø12x10.5 mm #12 r15	26x 20/11 r42	1x 350 mm t35	2x L-350 mm w210\2	6x Ø20 mm s68	1x 4 mm z1	2x L-350 mm w210\1
1x 64 mm c485								

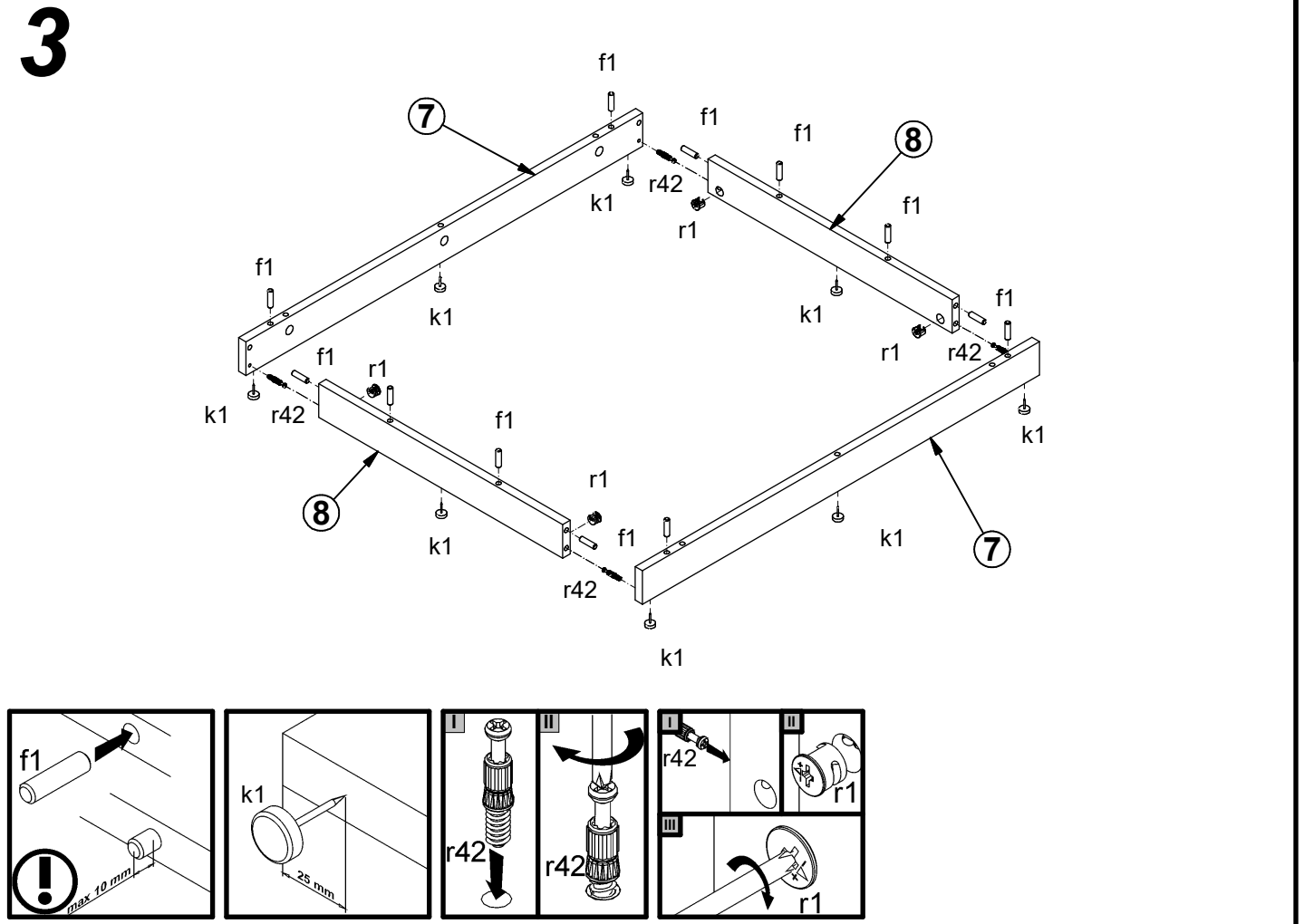
1 



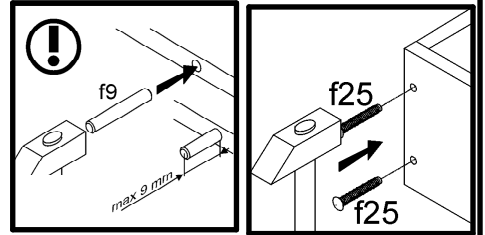
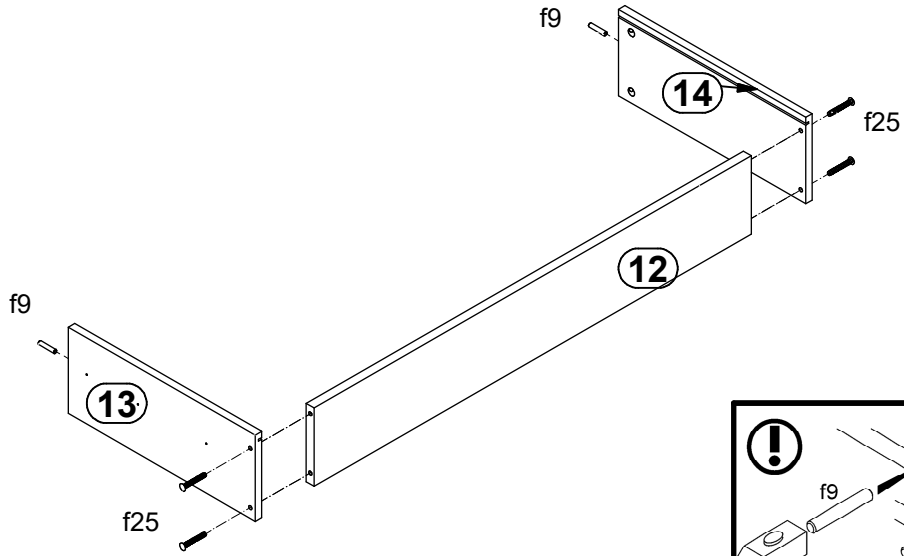
# 2



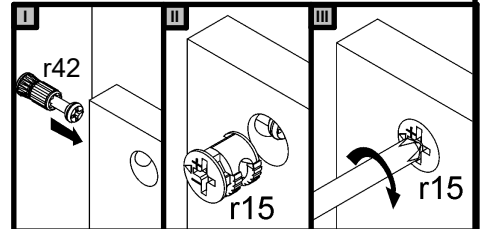
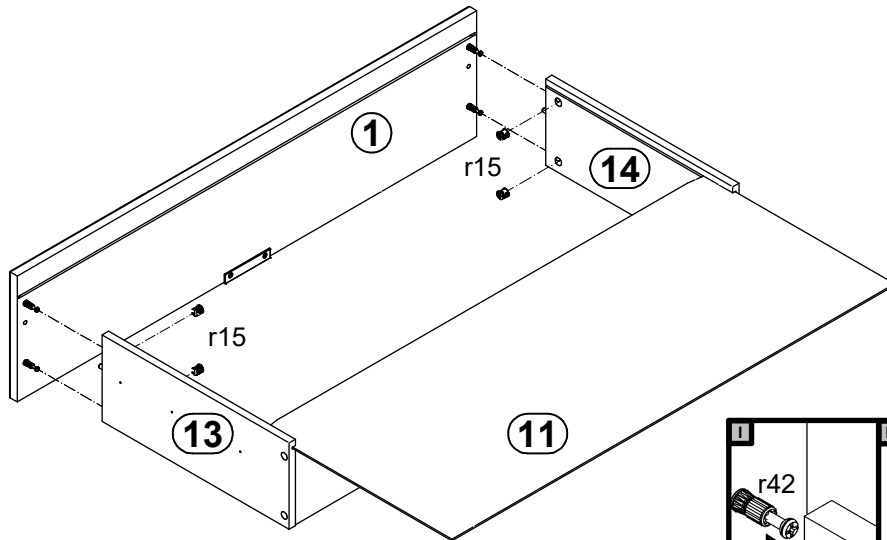
# 3



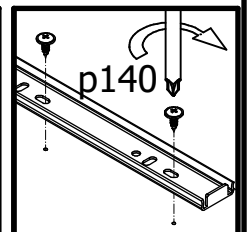
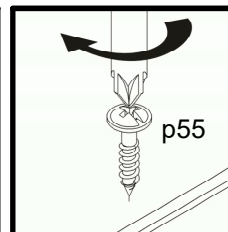
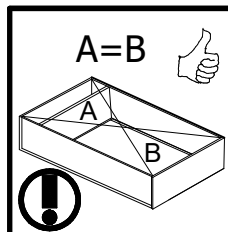
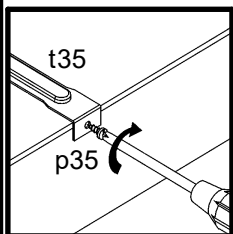
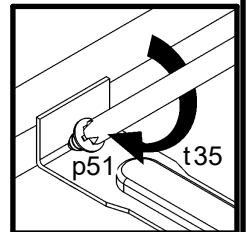
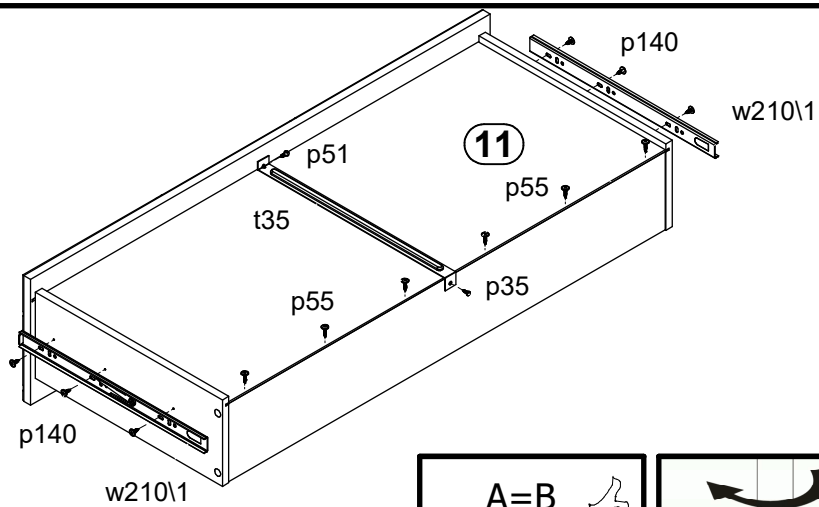
# 4



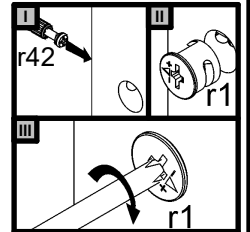
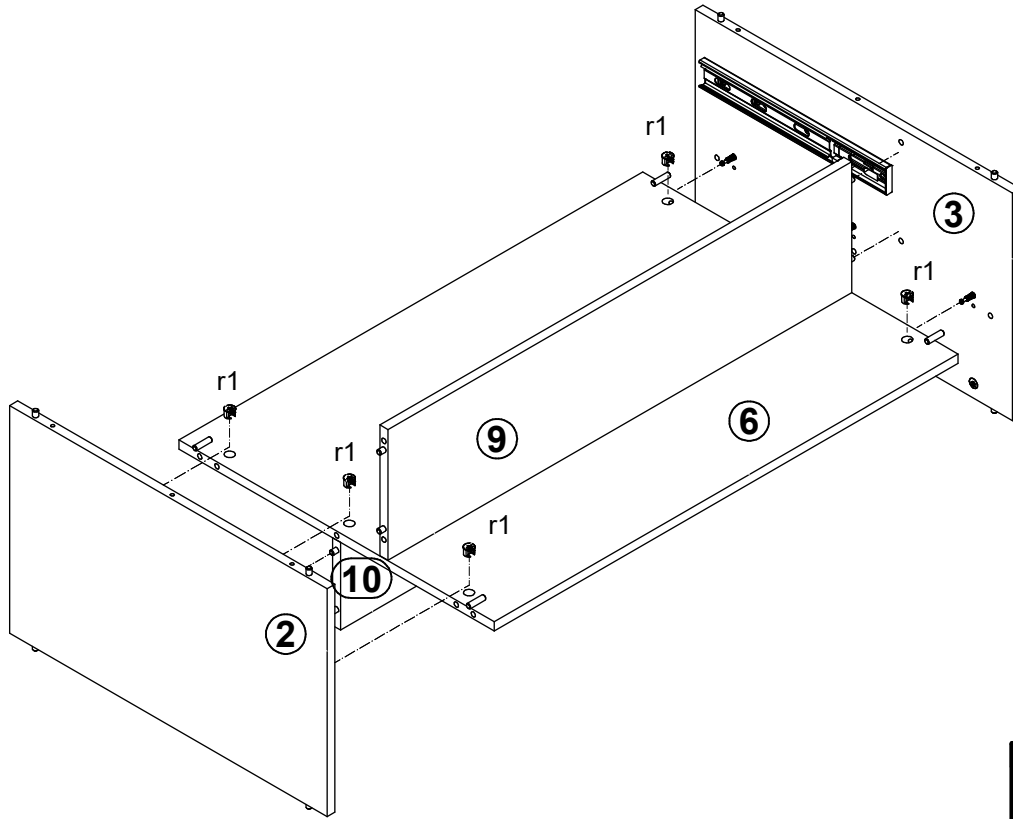
# 5



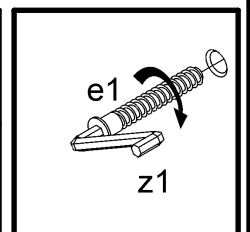
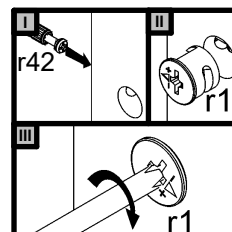
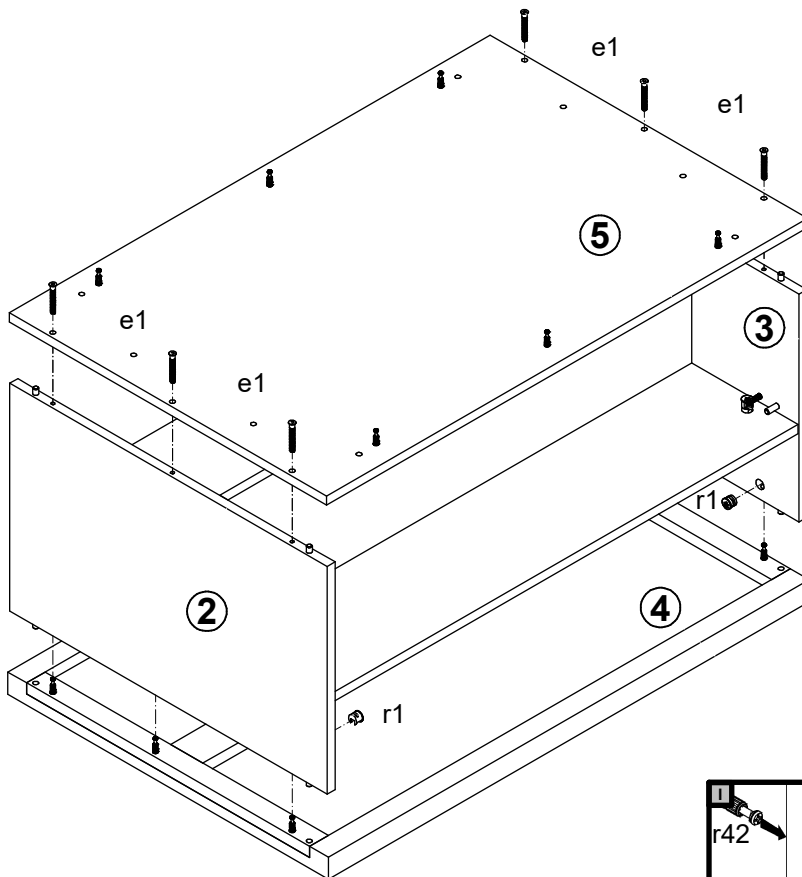
# 6



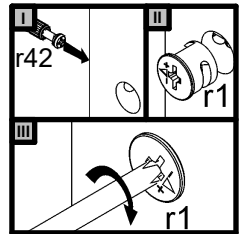
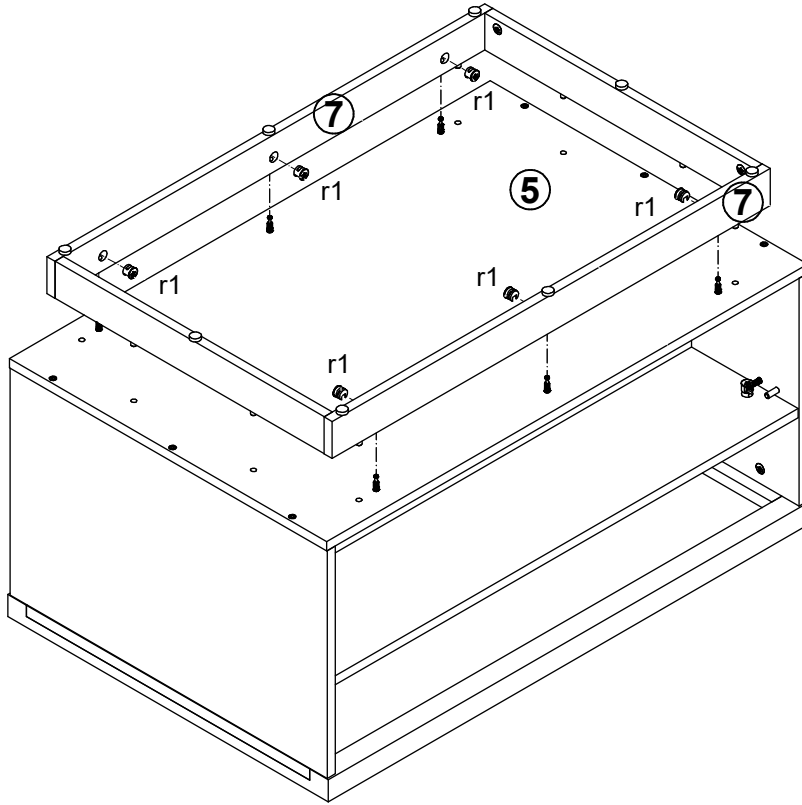
# 7



# 8



# 9



# 10

