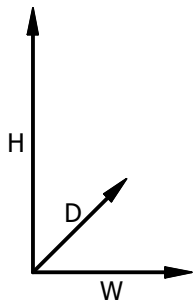
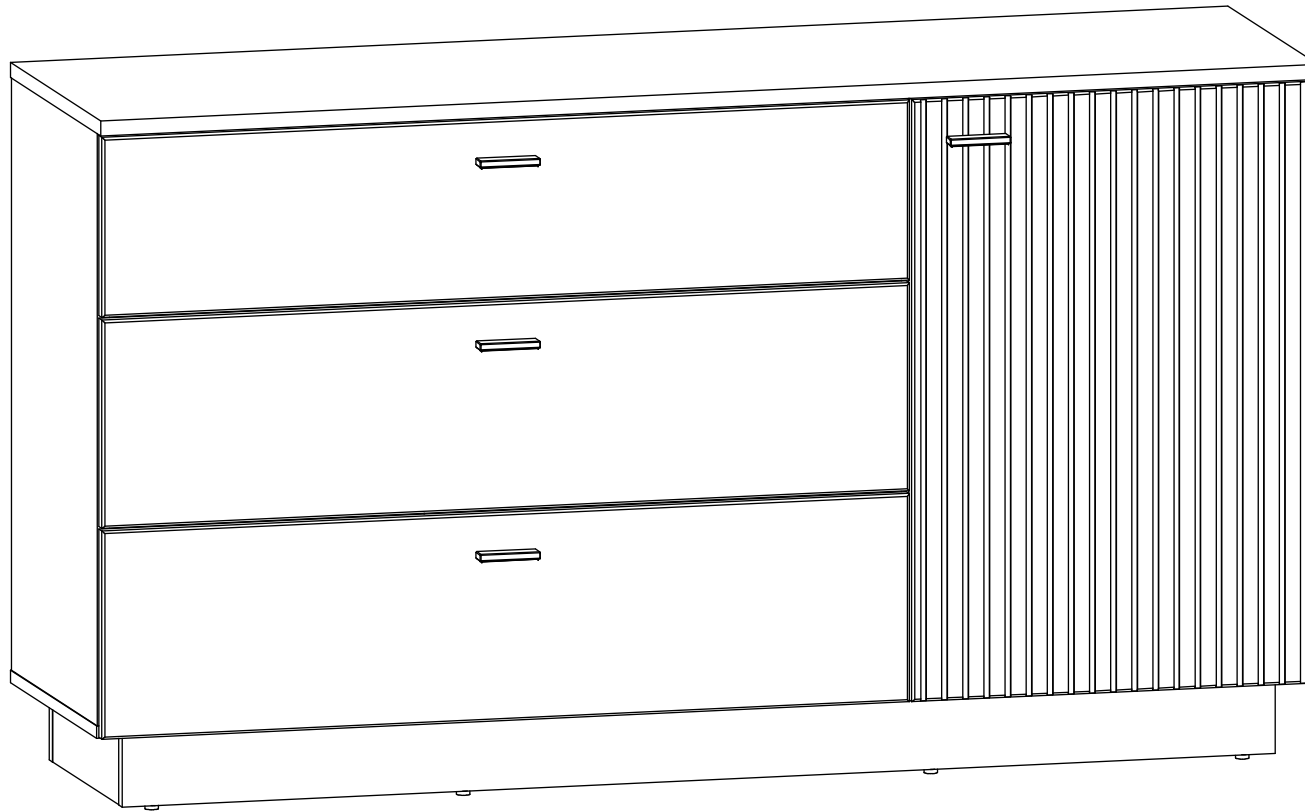
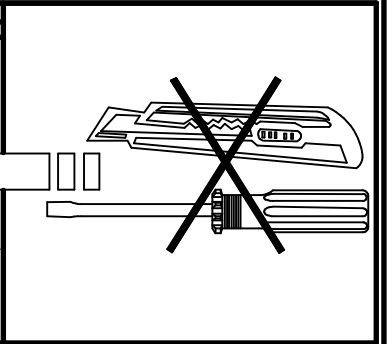
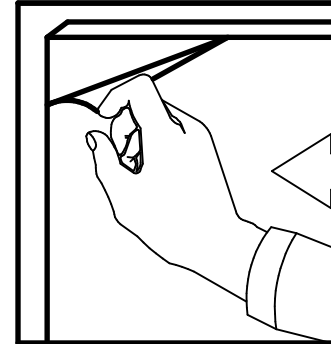
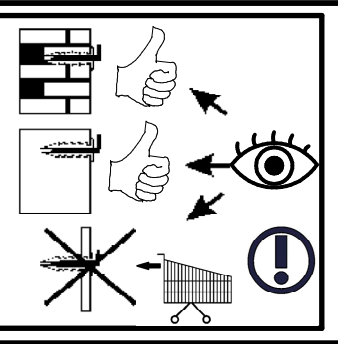
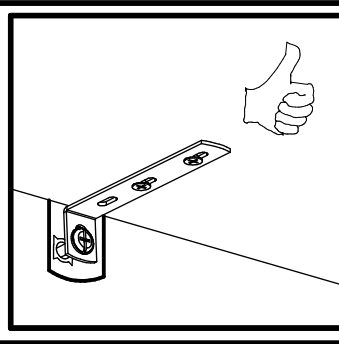
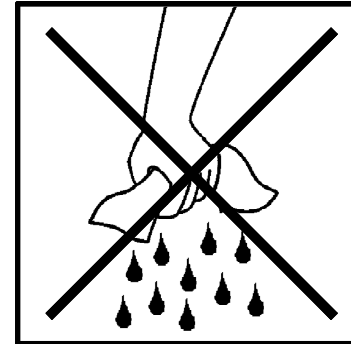
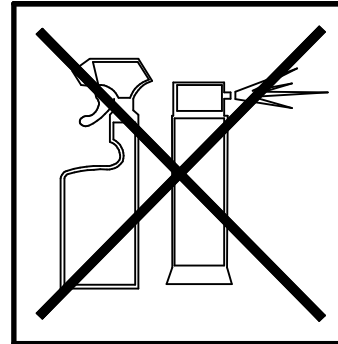
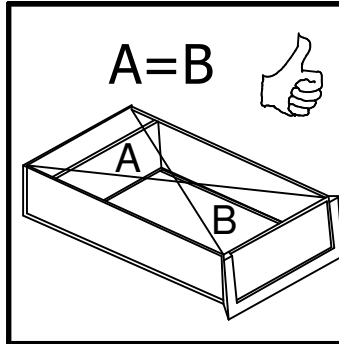
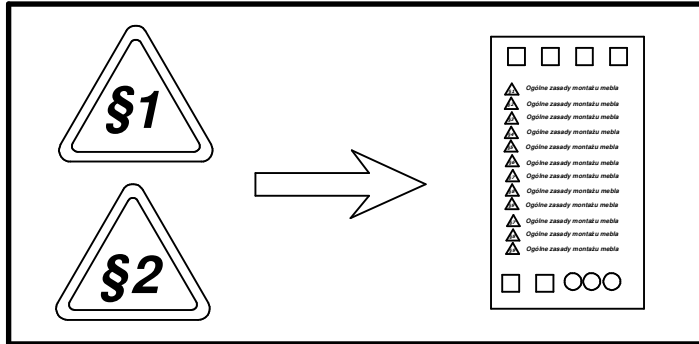
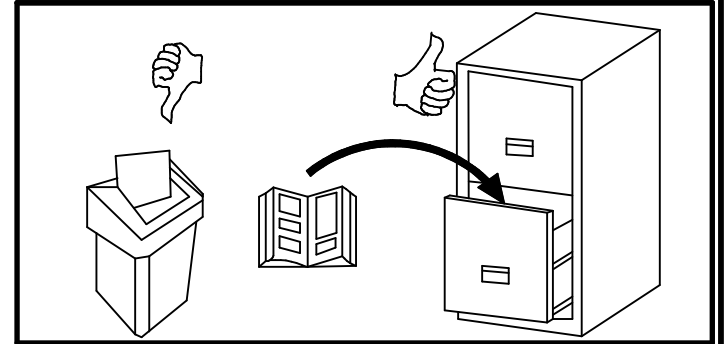
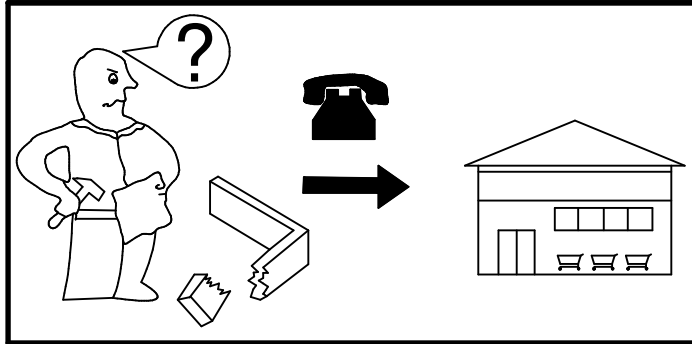
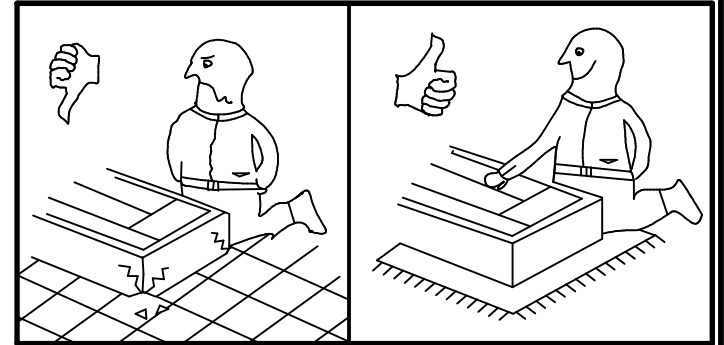
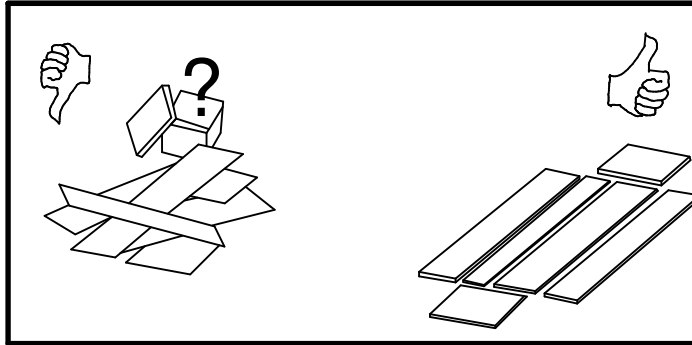
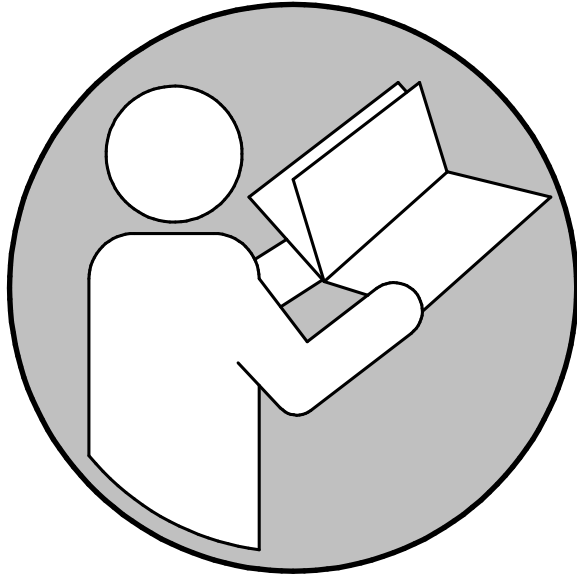


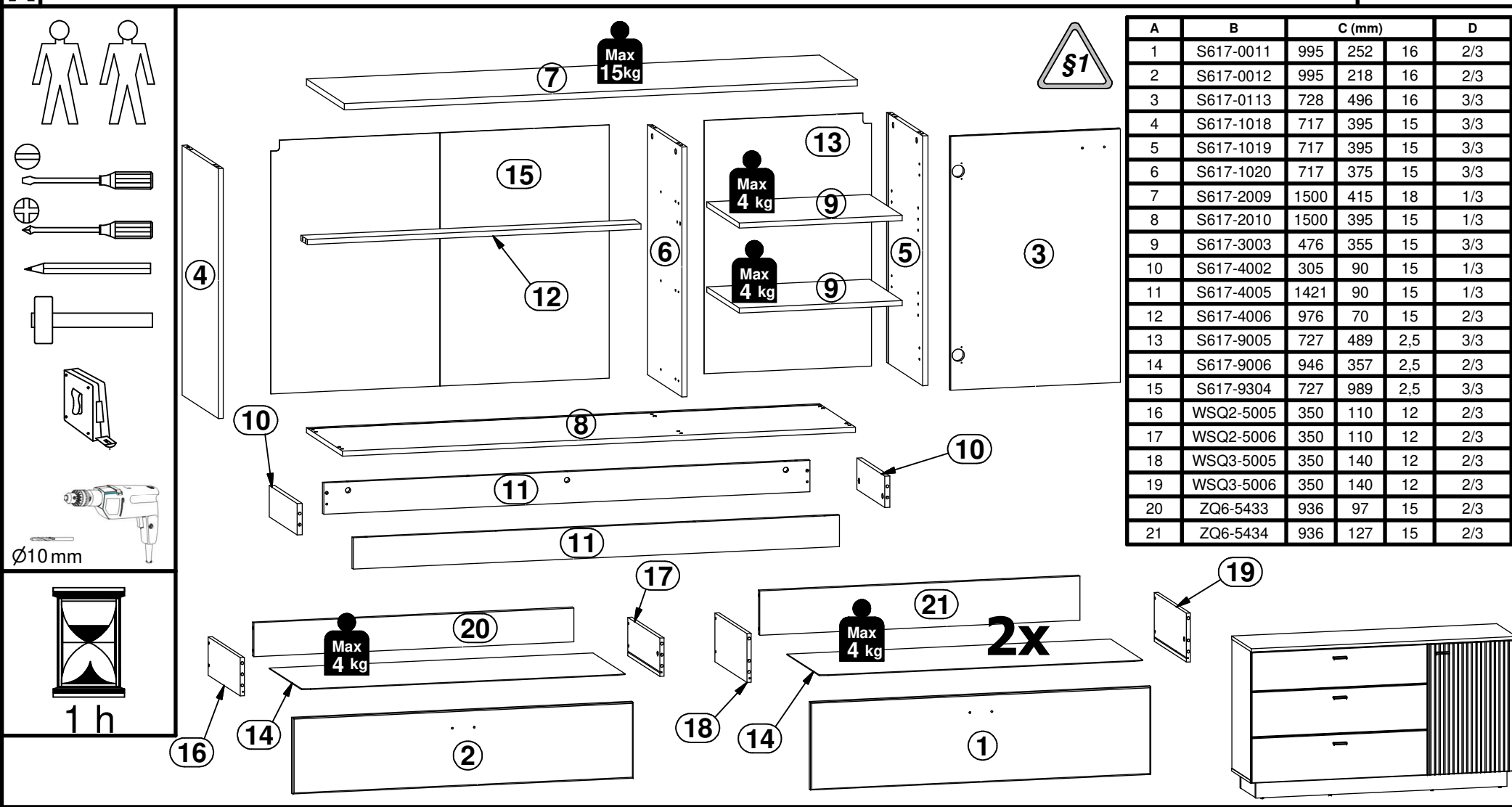
ZENDA

S617-KOM1D3S



H - 845 mm
W - 1500 mm
D - 415 mm

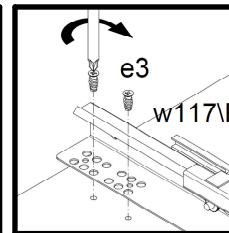
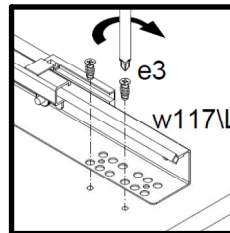
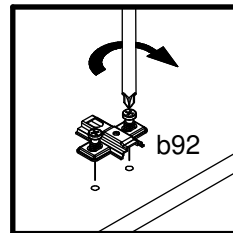
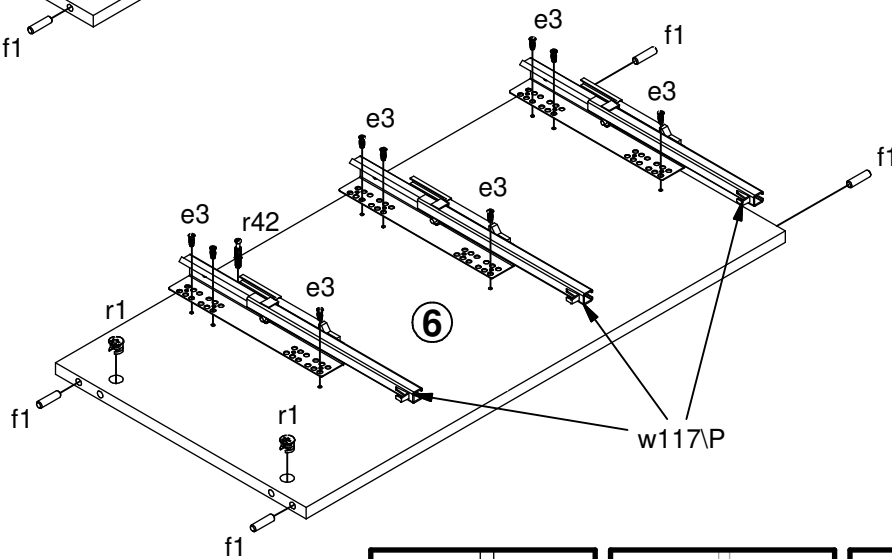
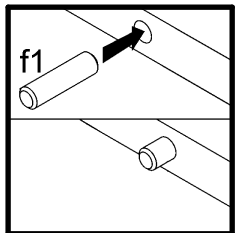
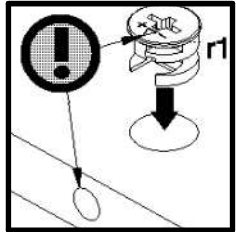
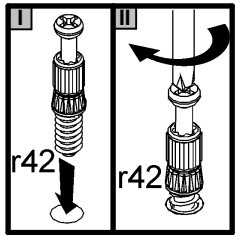
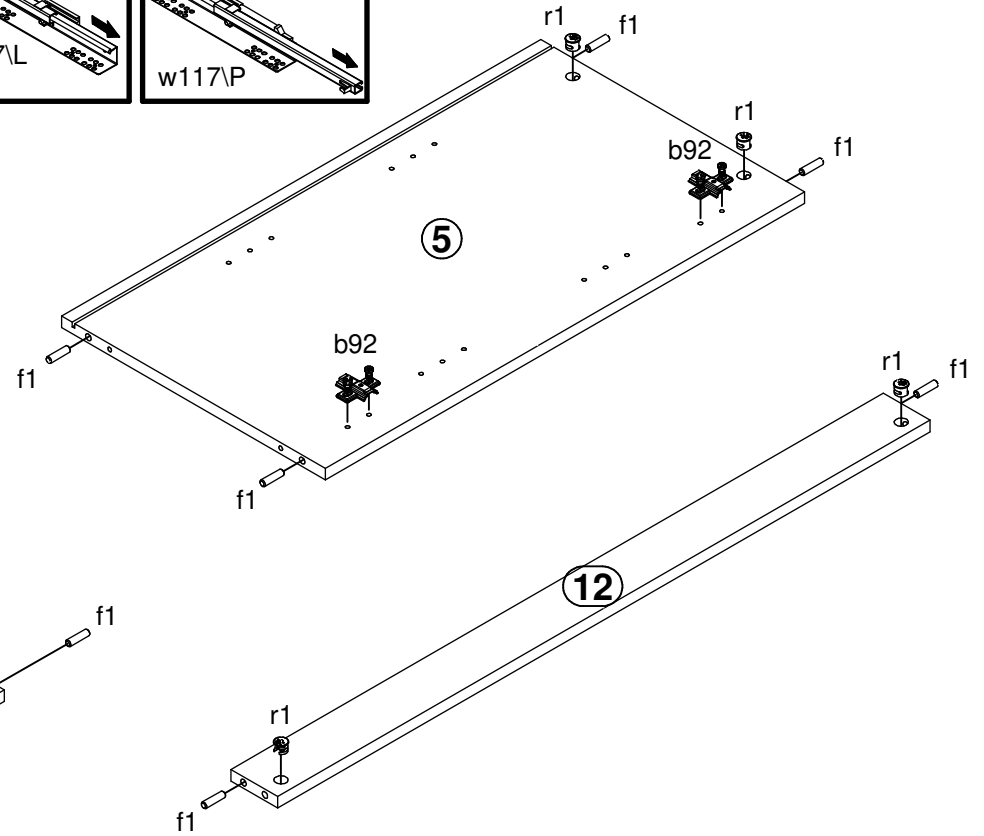
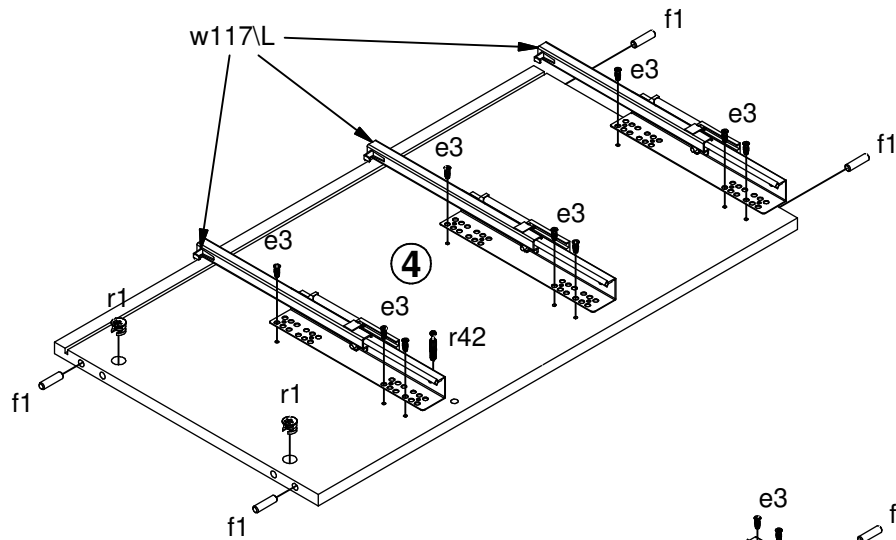
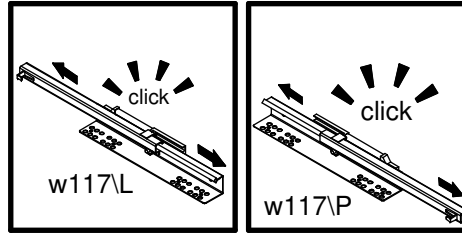




A	B	C (mm)			D
1	S617-0011	995	252	16	2/3
2	S617-0012	995	218	16	2/3
3	S617-0113	728	496	16	3/3
4	S617-1018	717	395	15	3/3
5	S617-1019	717	395	15	3/3
6	S617-1020	717	375	15	3/3
7	S617-2009	1500	415	18	1/3
8	S617-2010	1500	395	15	1/3
9	S617-3003	476	355	15	3/3
10	S617-4002	305	90	15	1/3
11	S617-4005	1421	90	15	1/3
12	S617-4006	976	70	15	2/3
13	S617-9005	727	489	2,5	3/3
14	S617-9006	946	357	2,5	2/3
15	S617-9304	727	989	2,5	3/3
16	WSQ2-5005	350	110	12	2/3
17	WSQ2-5006	350	110	12	2/3
18	WSQ3-5005	350	140	12	2/3
19	WSQ3-5006	350	140	12	2/3
20	ZQ6-5433	936	97	15	2/3
21	ZQ6-5434	936	127	15	2/3

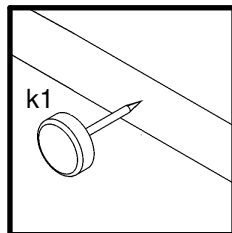
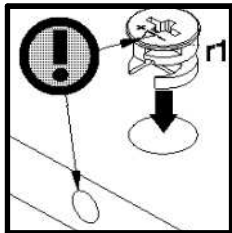
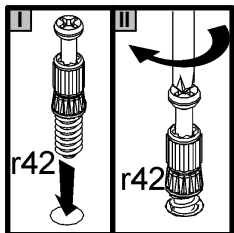
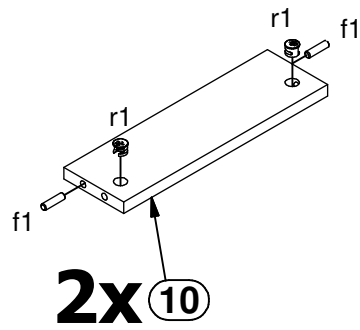
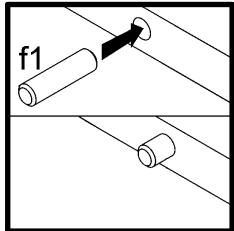
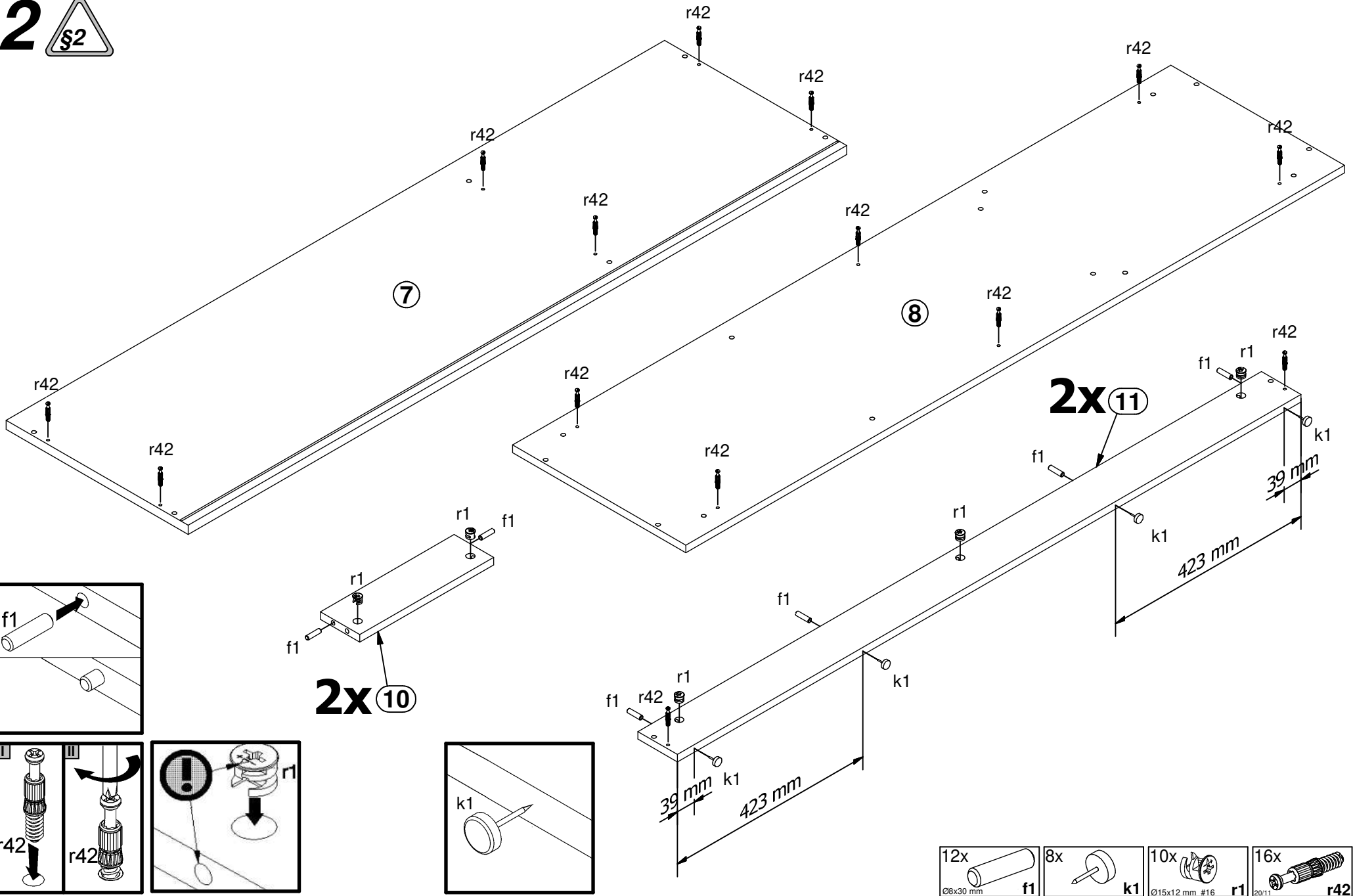
2x hamulec a204	2x b92	4x c491 1	8x d1 Ø5x17 mm	cm 0 1 2 3 4 5 6 7 8 9 10	6x e1 Ø7x50 mm	18x e3 Ø6x13 mm	38x f1 Ø8x30 mm	D 3/3
12x f25 Ø6,5x40 mm	2x f35 Ø10x50 mm	8x j30 M4x22 mm	8x k1	12x l2	4x n108 22x9,5x20,7 mm	2x n142 86x21x15/1,5	6x p140 Ø3,5x12 mm	2x p17 Ø5x60 mm
14x p51 Ø3,5x15 mm	28x p55 Ø2,9x16 mm	18x r1 Ø15x12 mm #16	6x r15 Ø12x10,5 mm #12	24x r42 20/11	2x s68 Ø20 mm	6x t35 350 mm	3x w117L 350 mm	3x w117P 350 mm
1x z1 4 mm								




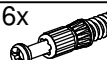
1



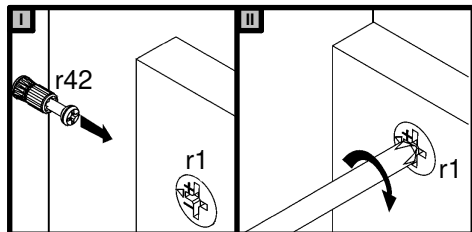
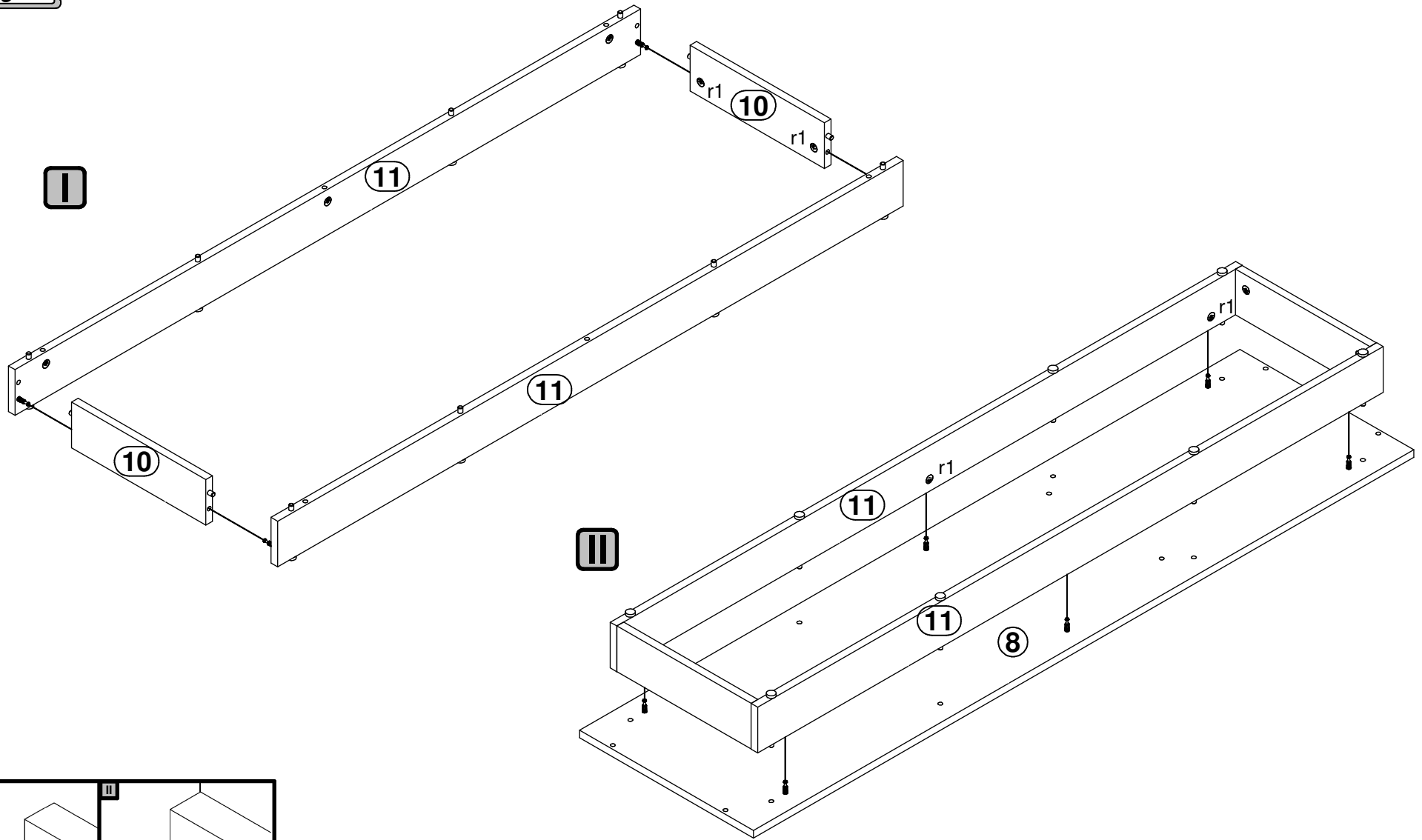
2x b92	18x e3 Ø6x13 mm	14x f1 Ø8x30 mm
8x r1 Ø15x12 mm #16	2x r42 20/11	3x w117/L 350 mm
3x w117/P 350 mm		

2 

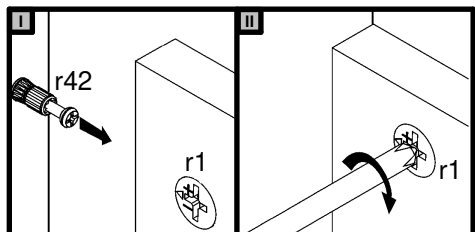
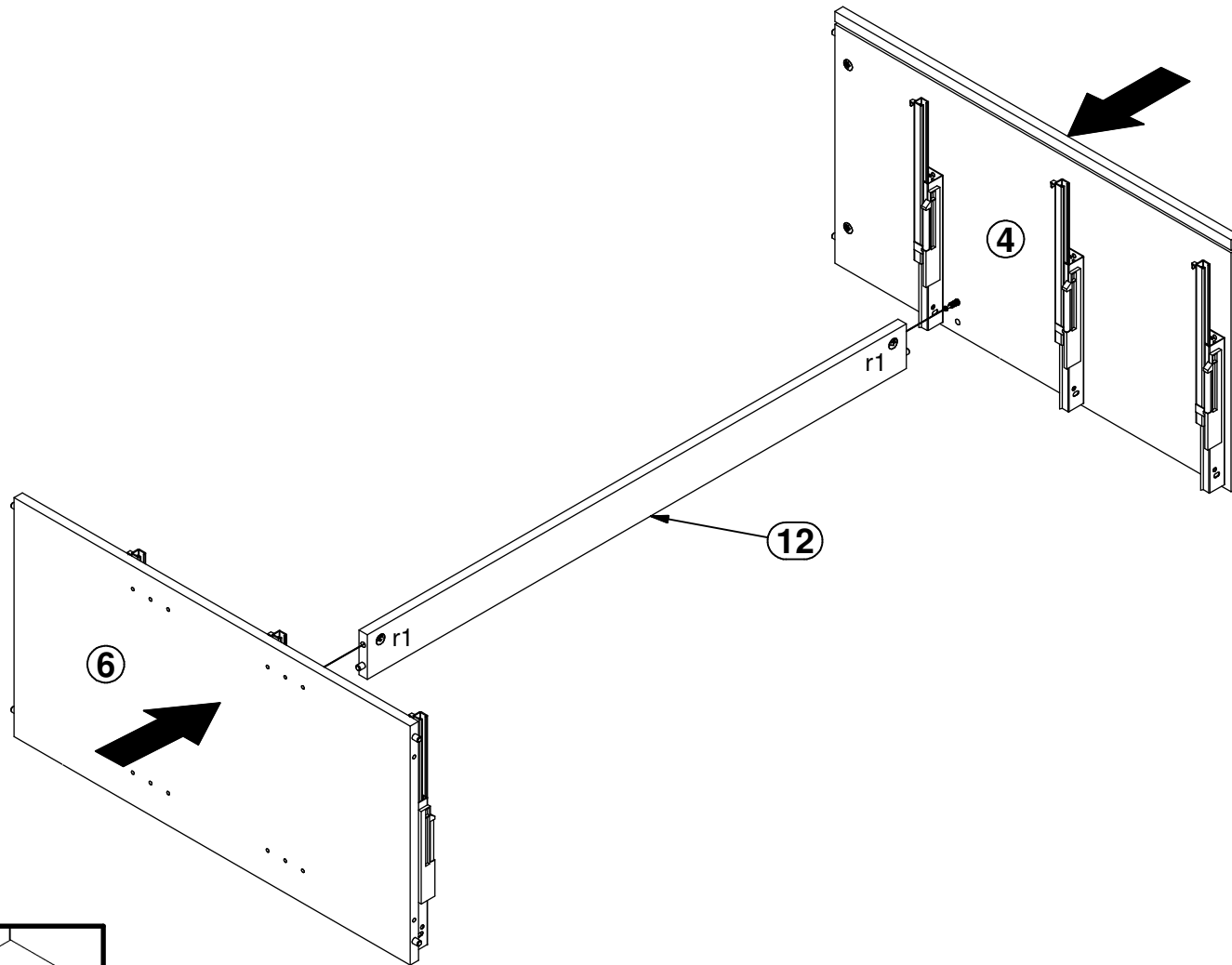


- 12x  f1 Ø8x30 mm
- 8x  k1
- 10x  r1 Ø15x12 mm #16
- 16x  r42 20/11

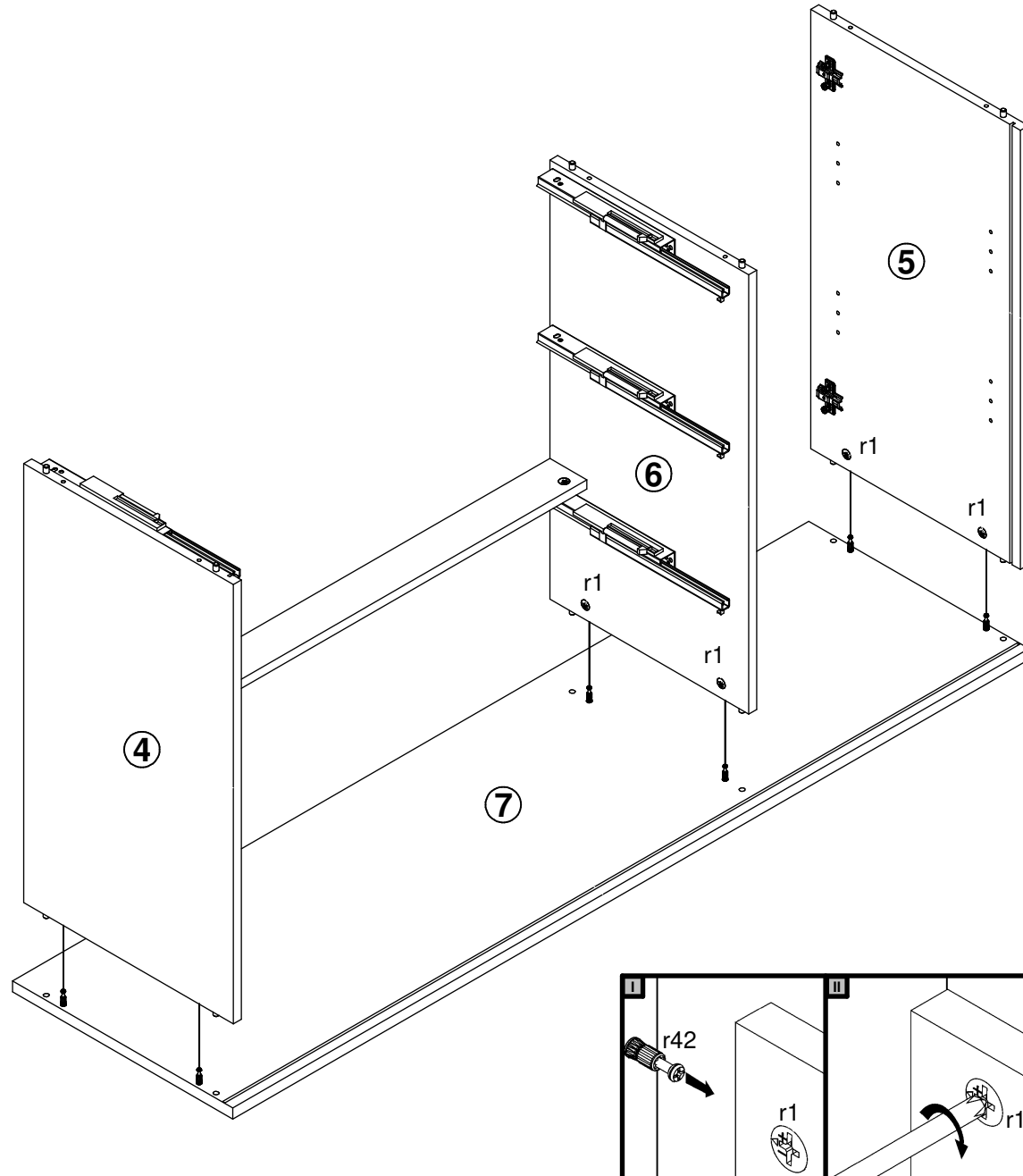
3 



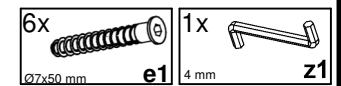
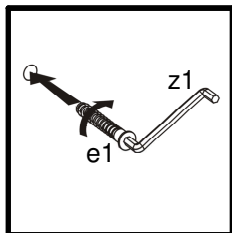
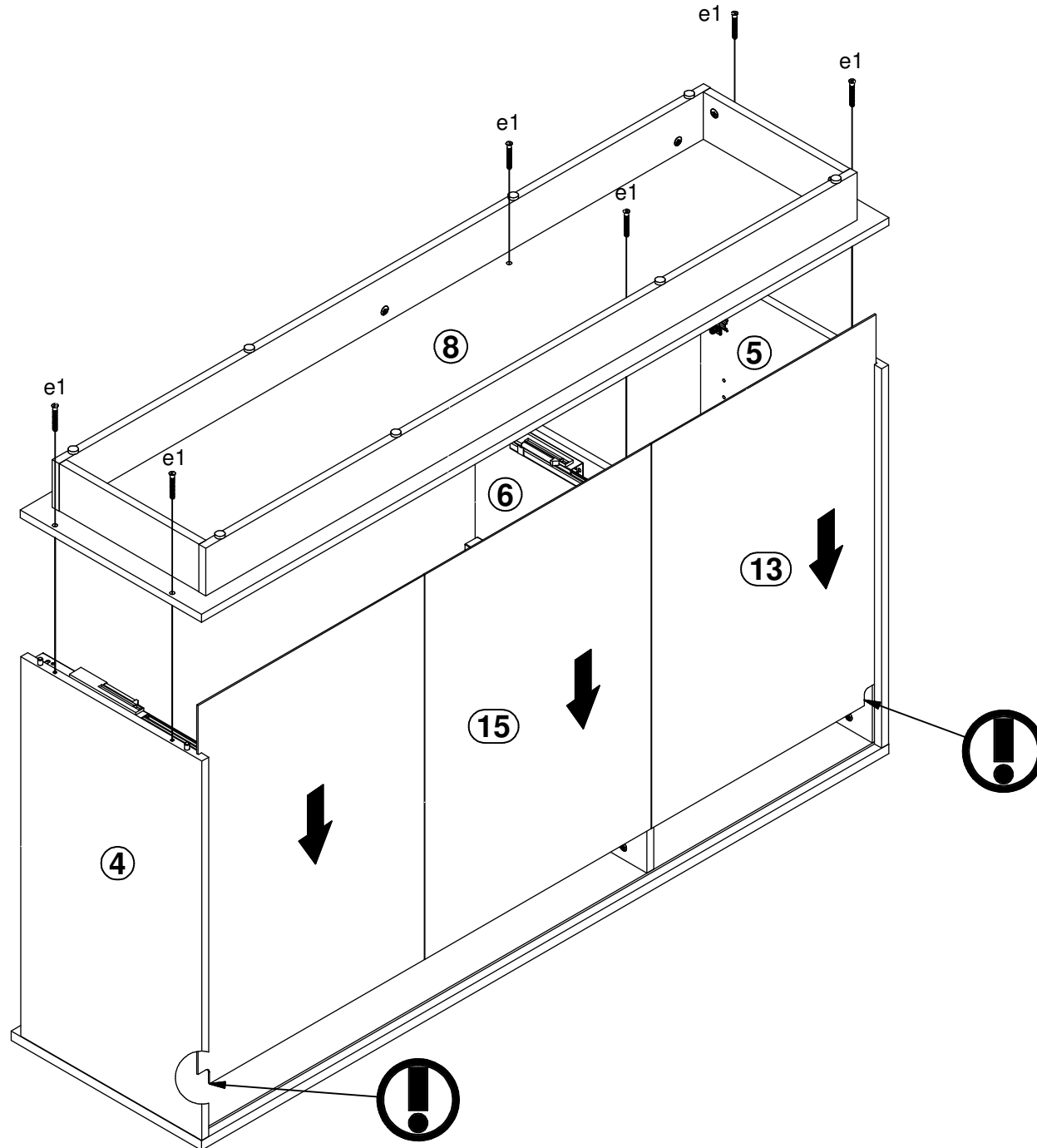
4 



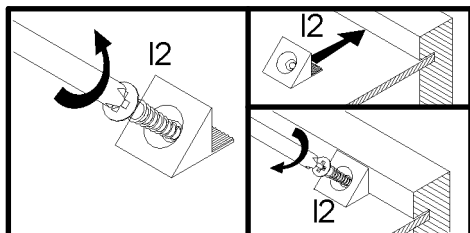
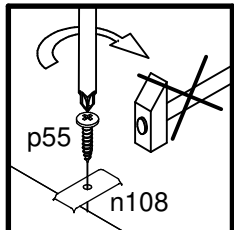
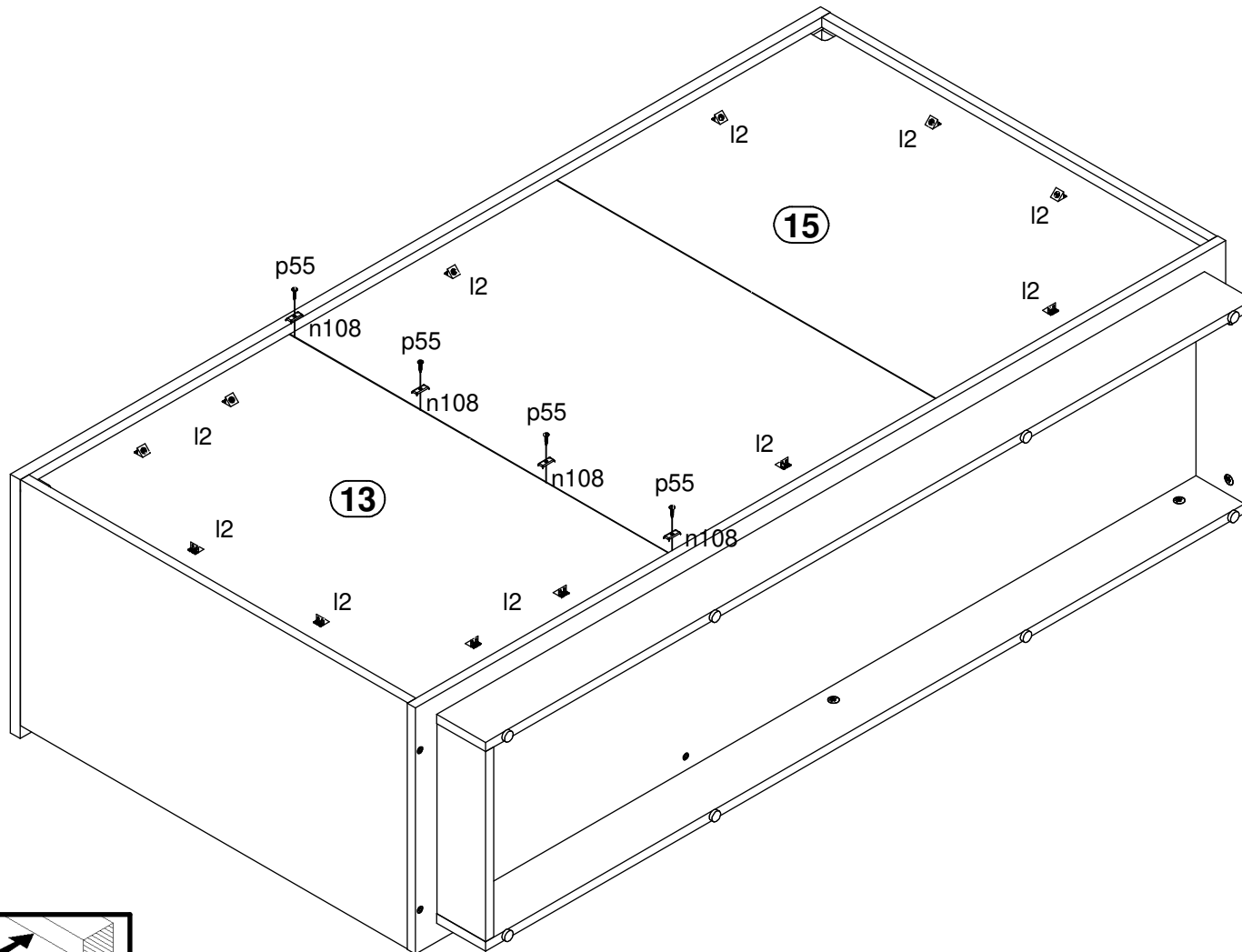
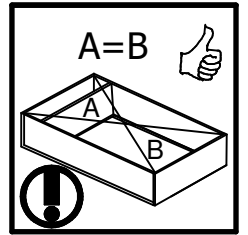
5 



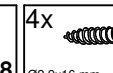


6 

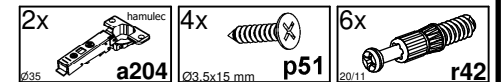
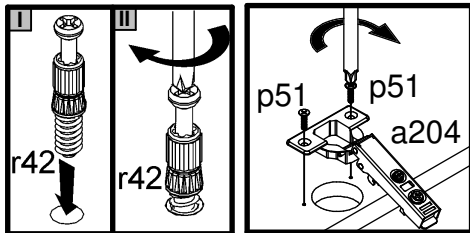
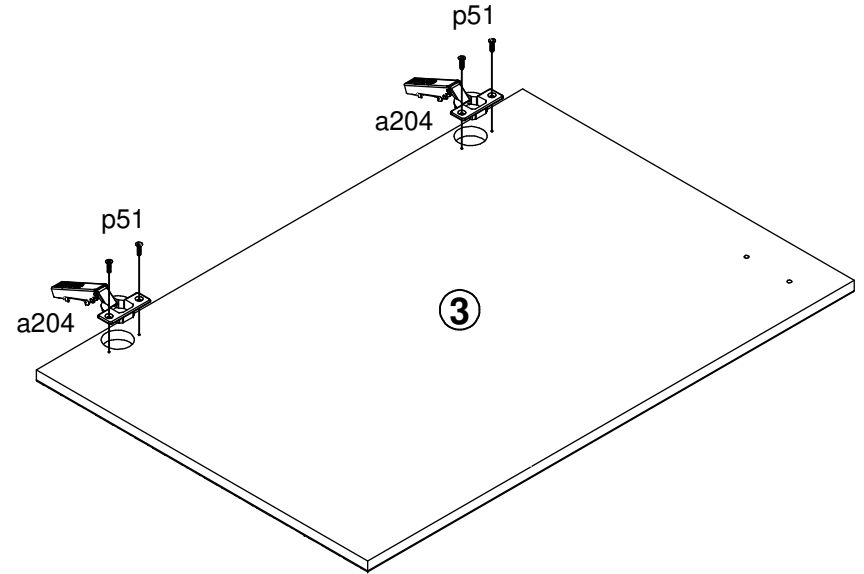
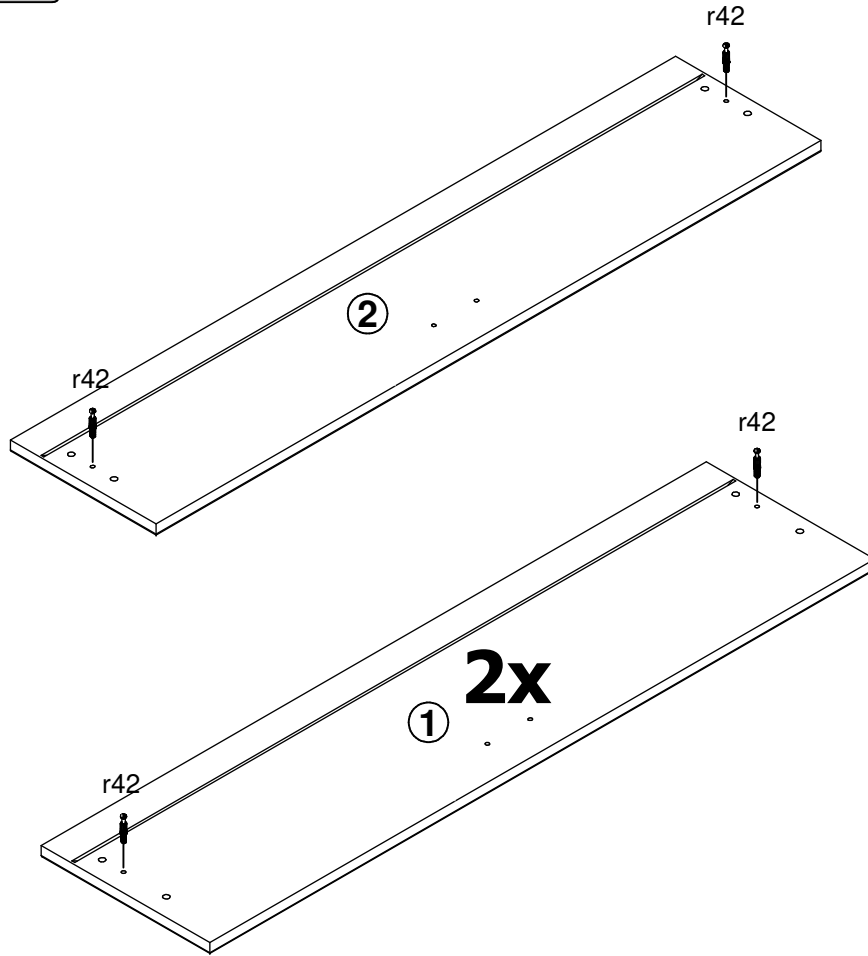


7 

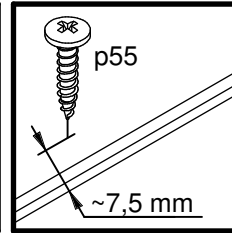
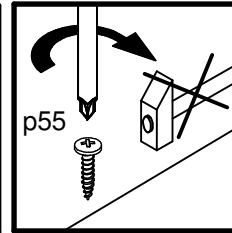
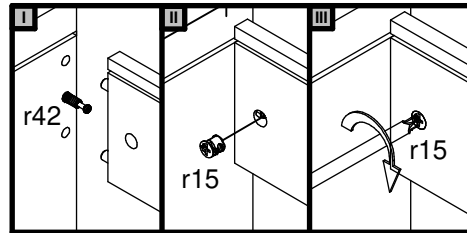
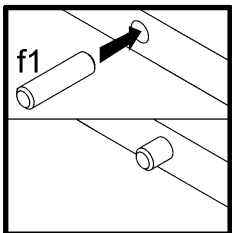
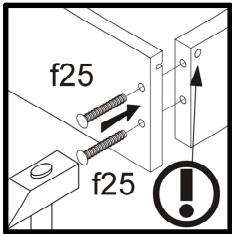
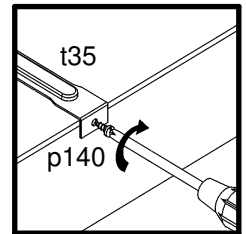
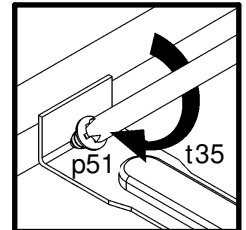
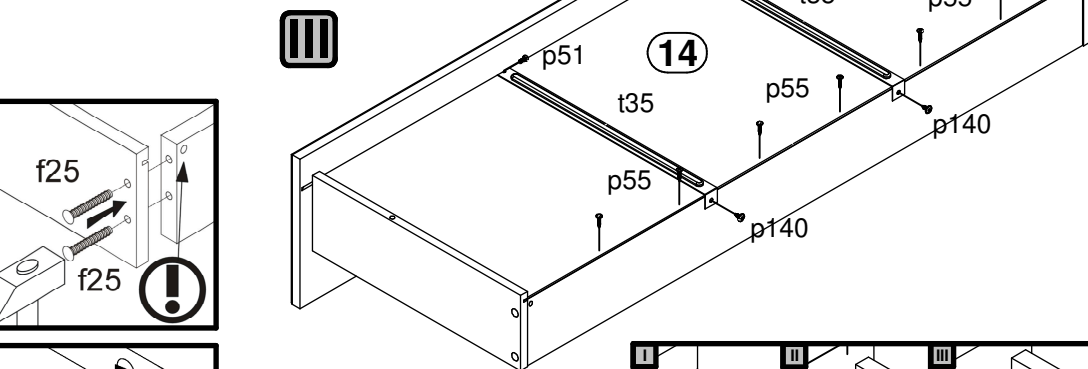
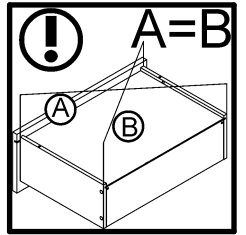
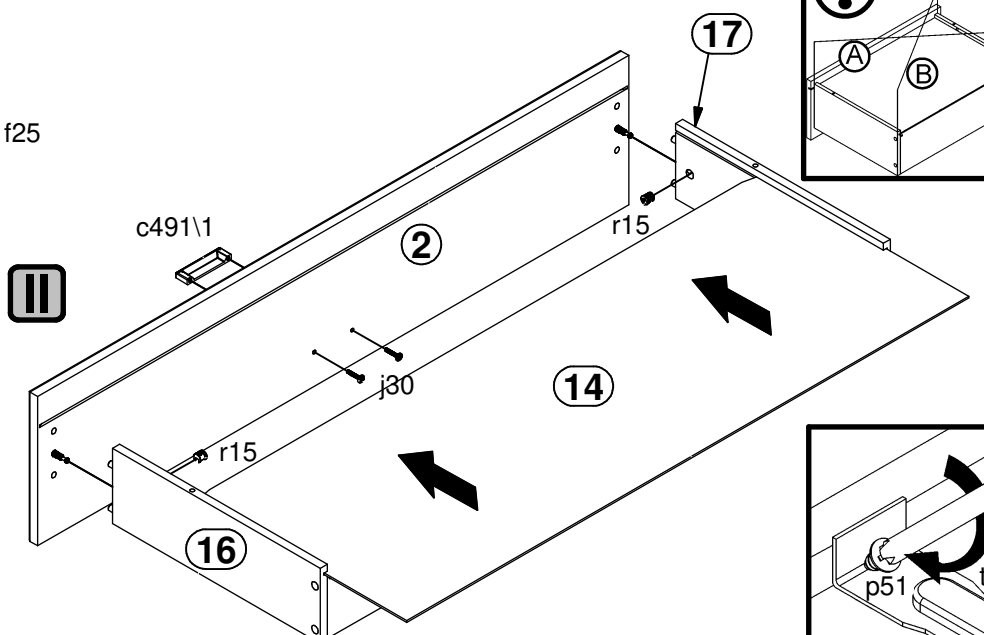
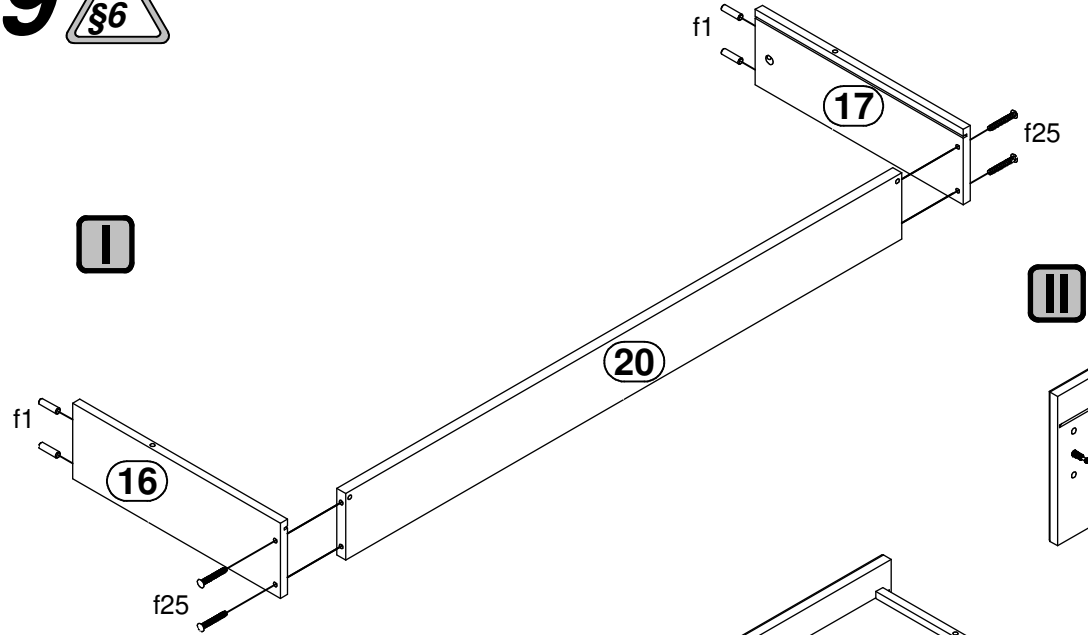







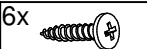

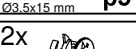
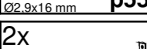
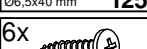
- 12x  12
 - 4x  p55
 - 4x  n108
- 22x9,5x2,0,7 mm Q2,9x16 mm

8 

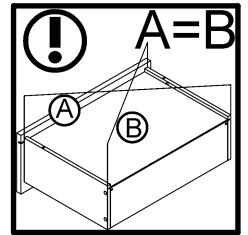


9 

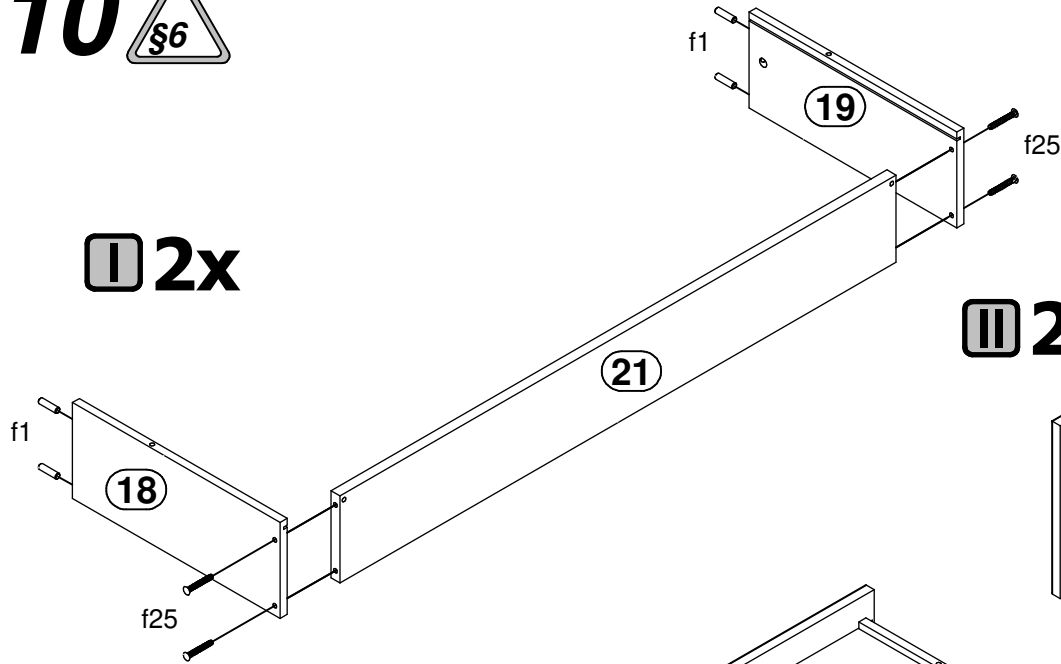


1x  c491\1	4x  Ø8x30 mm	4x  f1
2x  M4x22 mm	2x  Ø3,5x15 mm	6x  Ø2,9x16 mm
2x  p140	2x  Ø12x10,5 mm #12	2x  t35
		4x  f25

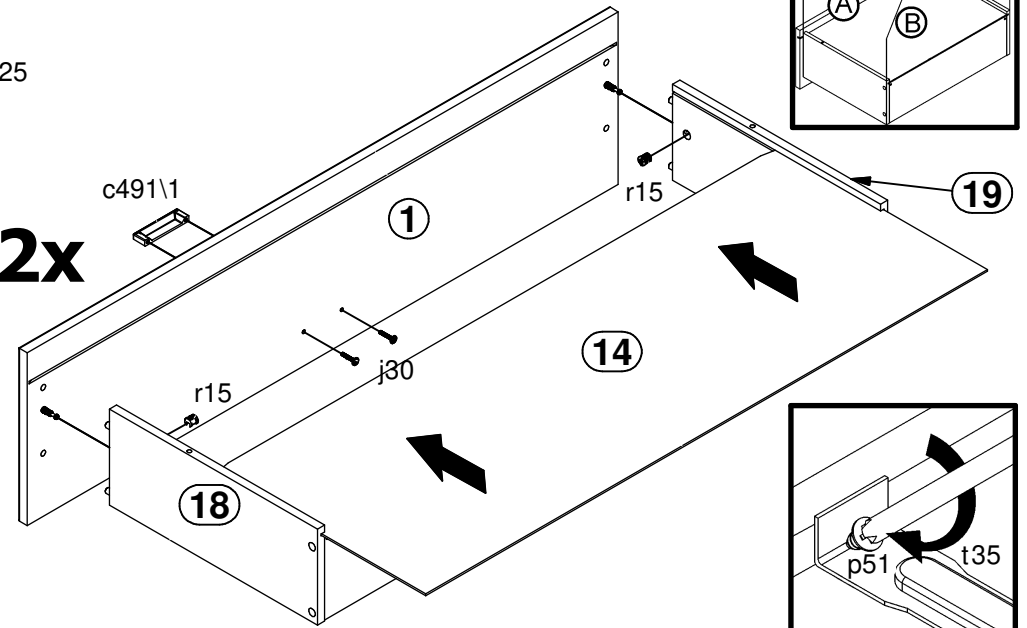
10



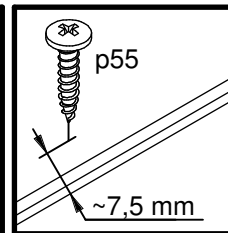
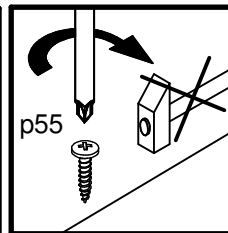
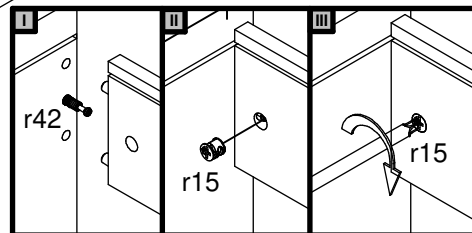
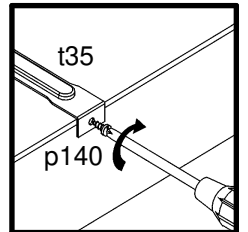
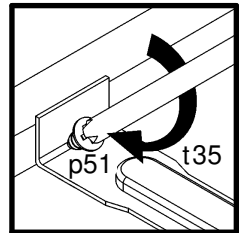
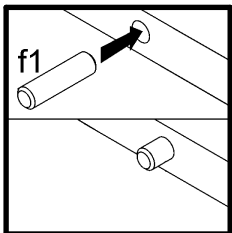
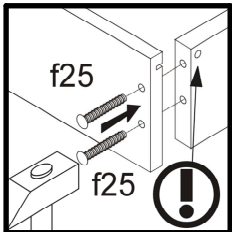
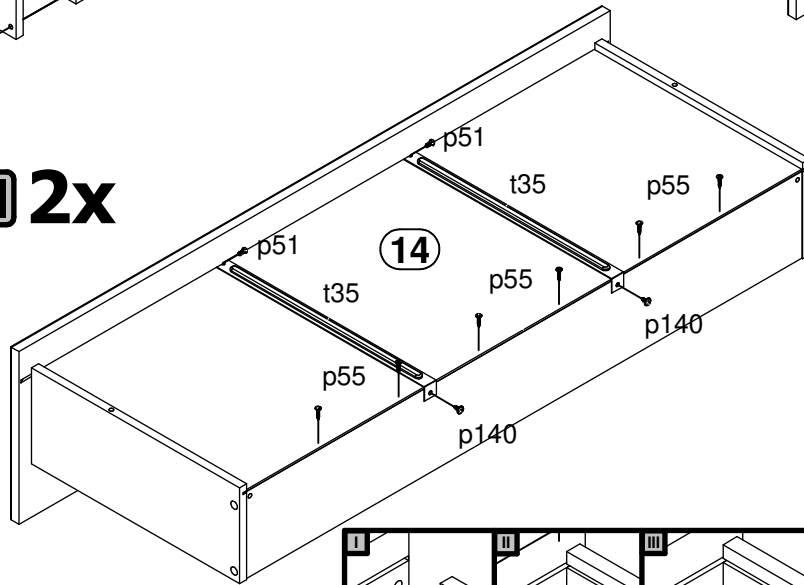
I 2x



II 2x

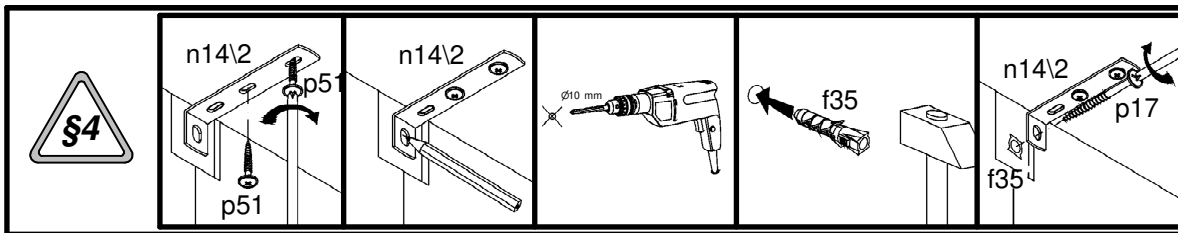
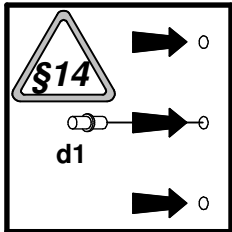
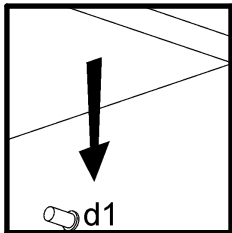
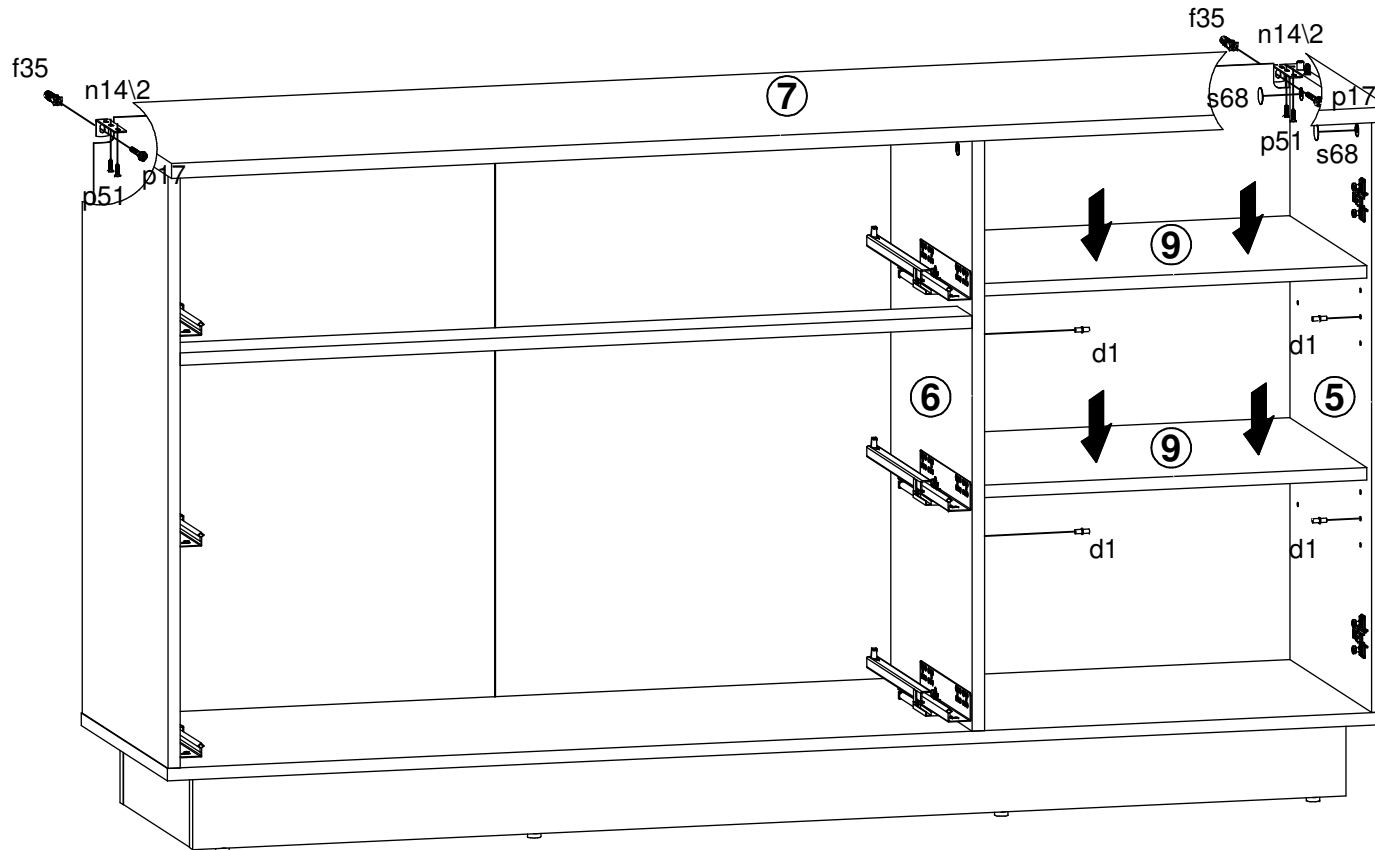
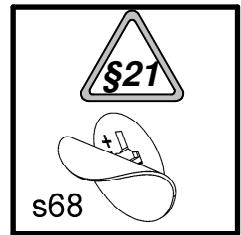


III 2x



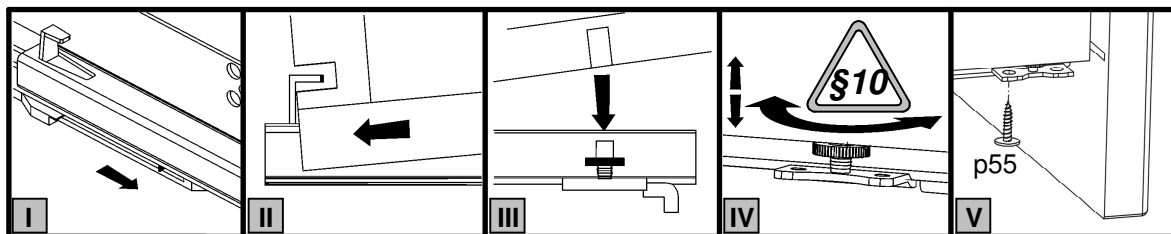
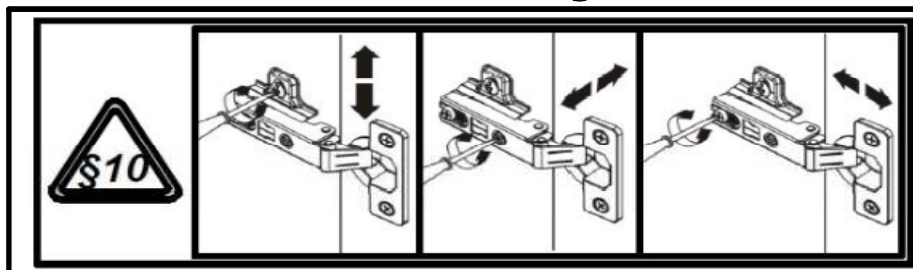
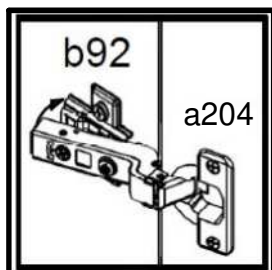
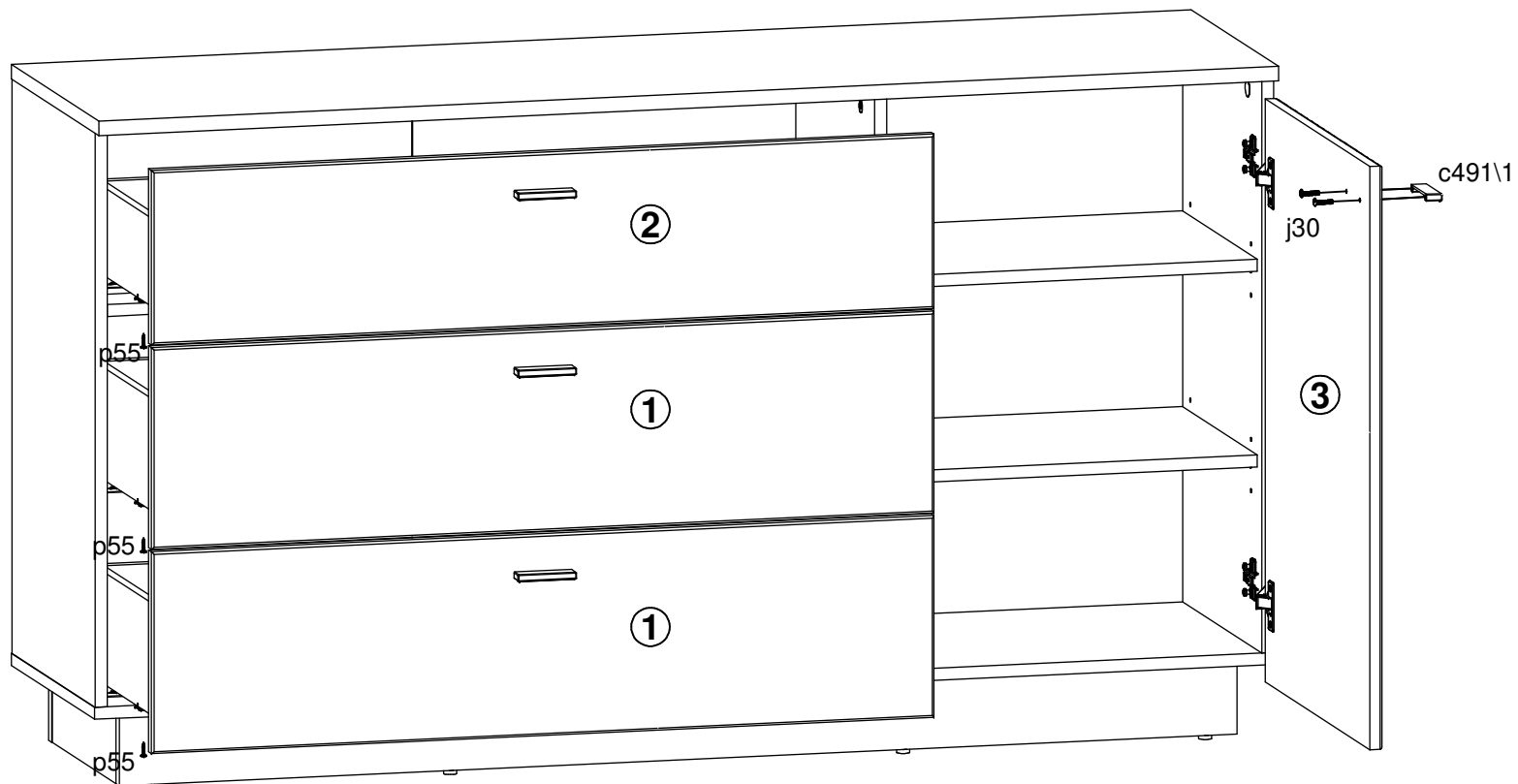
2x c491\1	8x f1	8x f25
4x j30	4x p51	12x p55
4x p140	4x r15	4x t35




11 



8x Ø5x17 mm d1	2x Ø10x30 mm f35	2x 86x21x15/1,5 n14\2
2x Ø5x60 mm p17	4x Ø3,5x15 mm p51	2x Ø 20mm s68

12 



- 1x  c491\1
- 2x  j30
- 6x  p55

13

