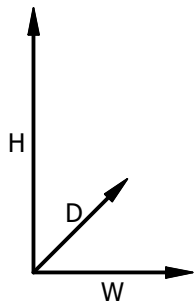
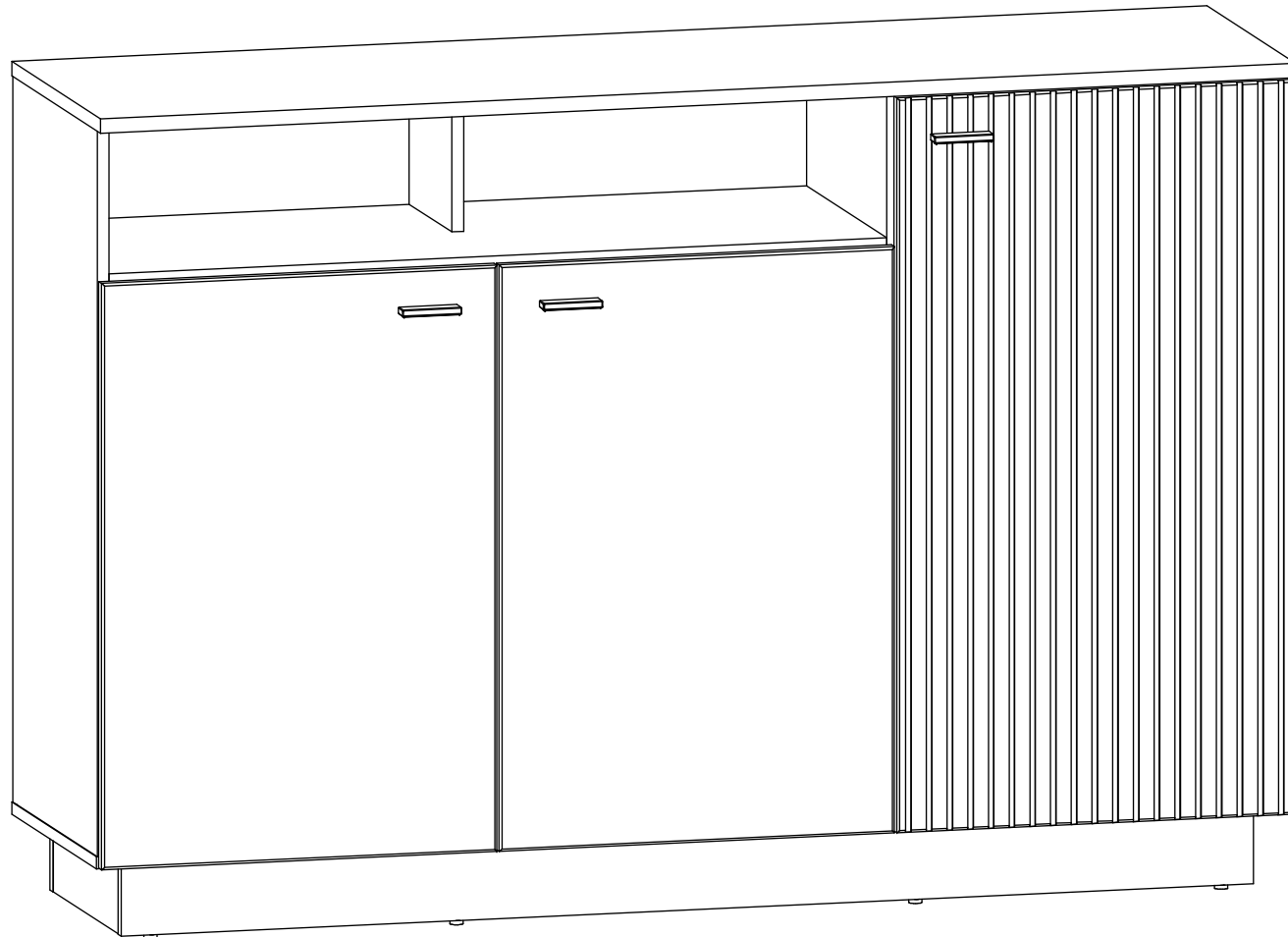
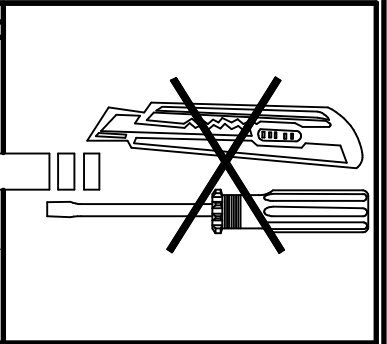
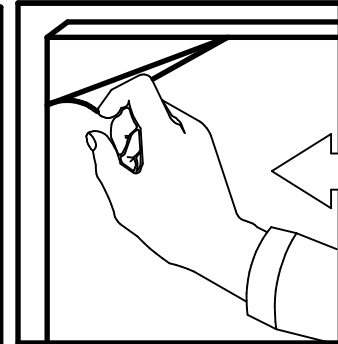
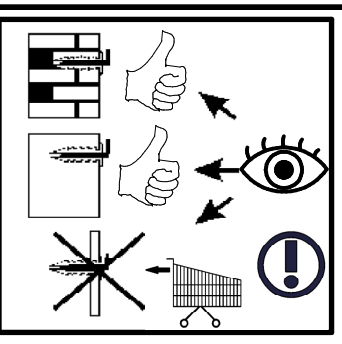
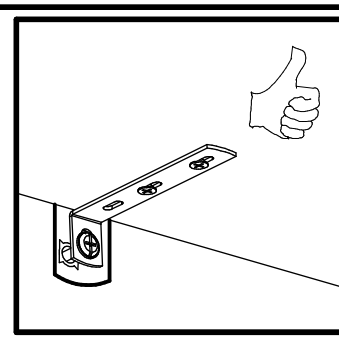
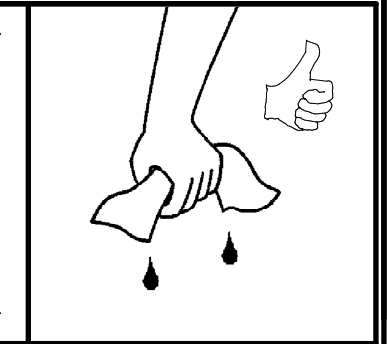
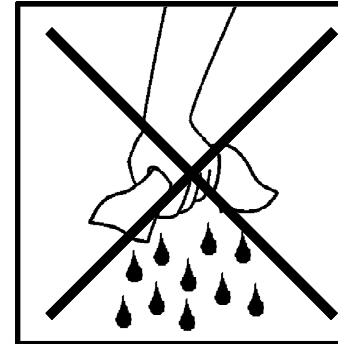
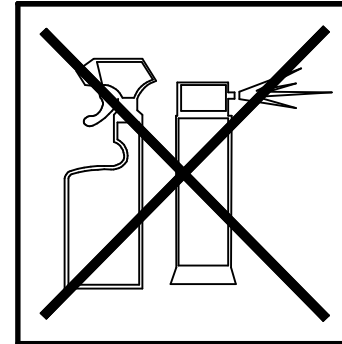
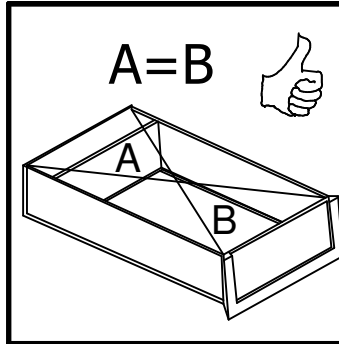
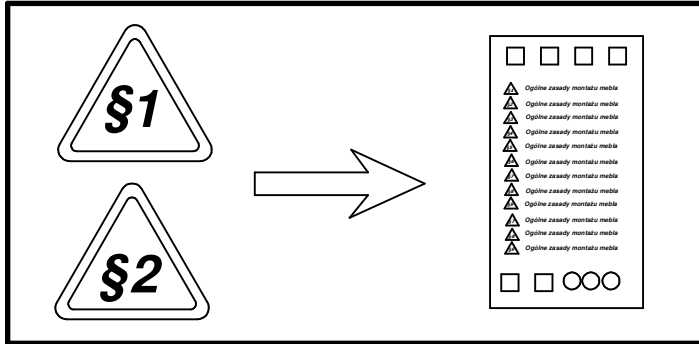
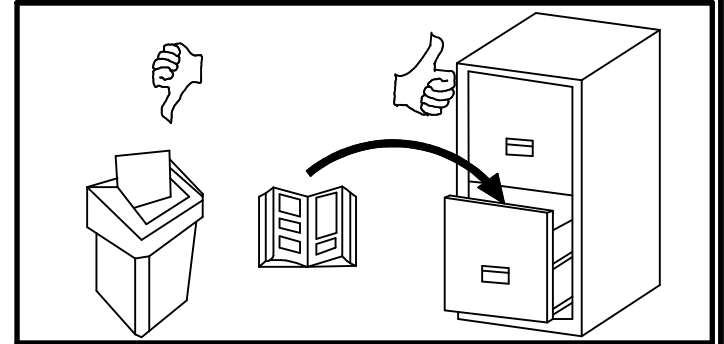
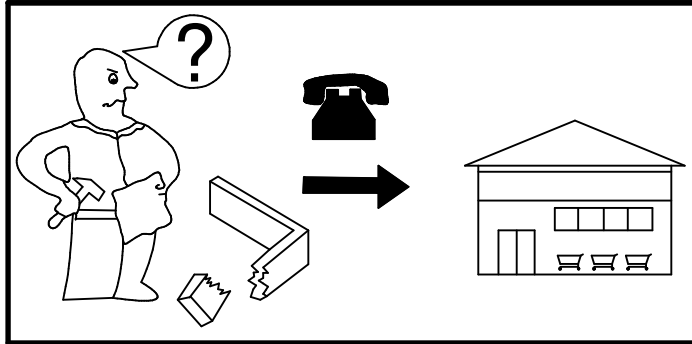
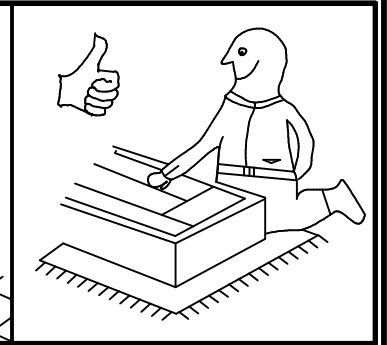
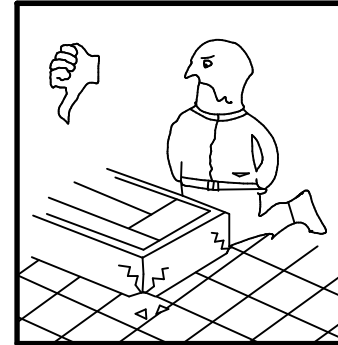
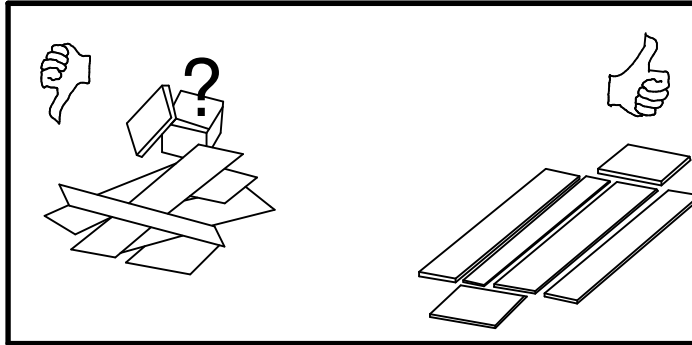
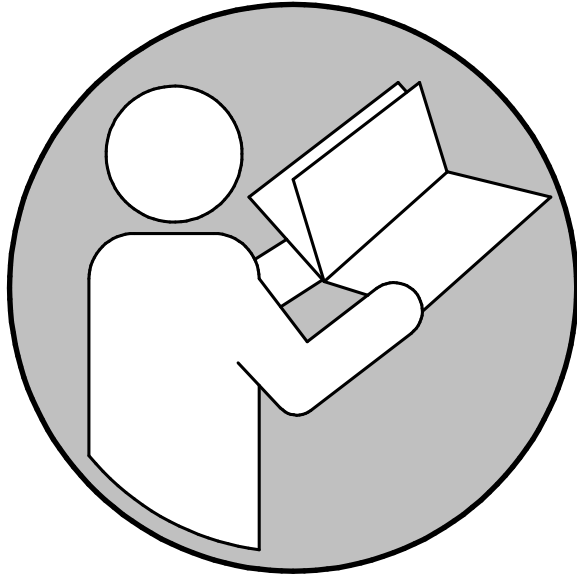


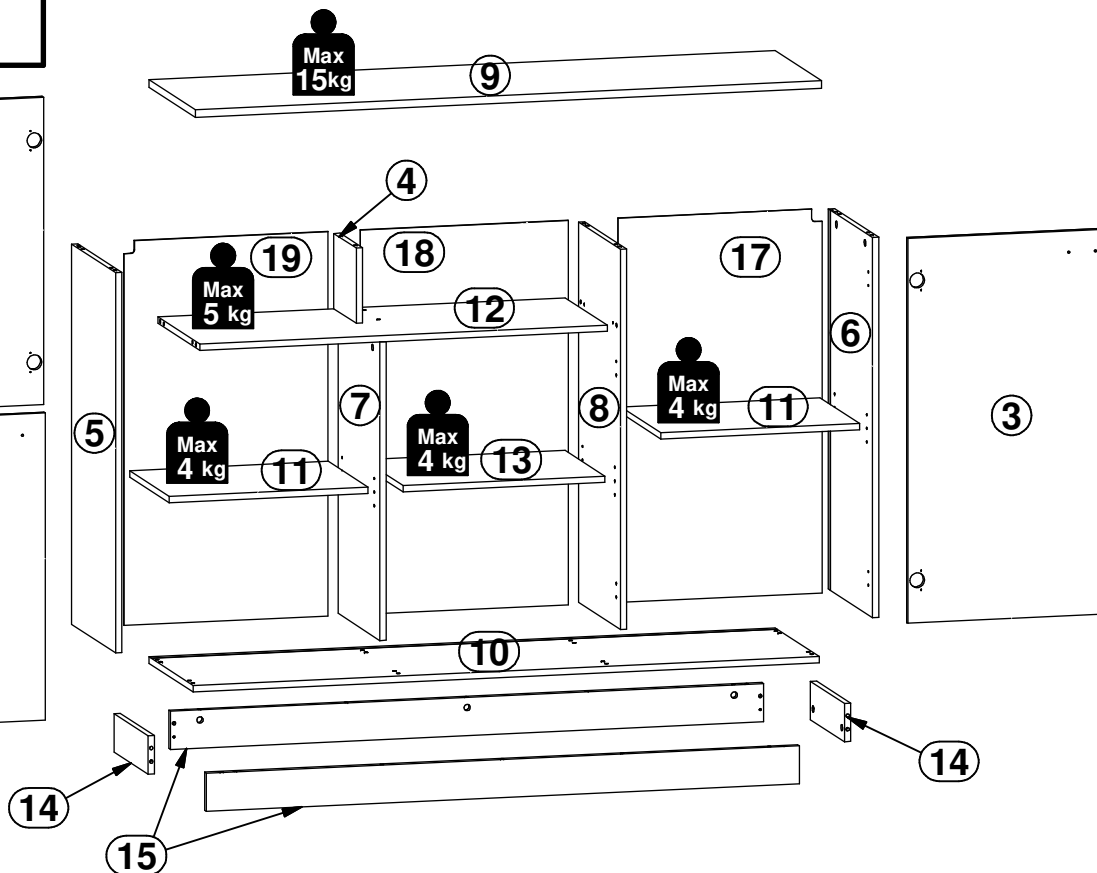
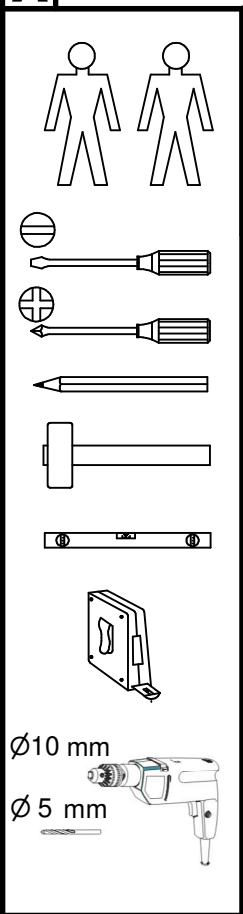
ZENDA

S617-KOM3D/150

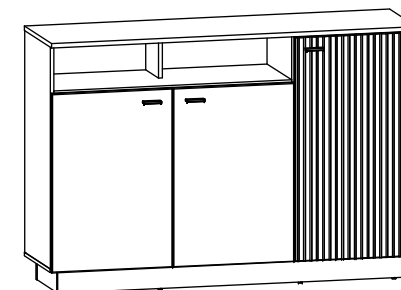


H - 1022 mm
W - 1500 mm
D - 415 mm



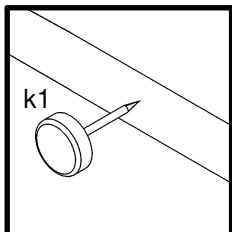
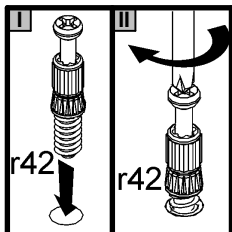
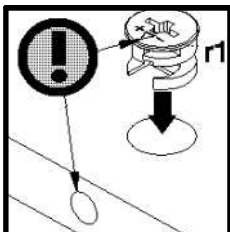
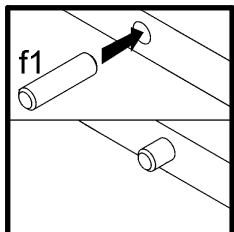
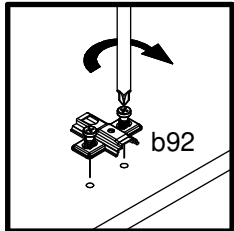
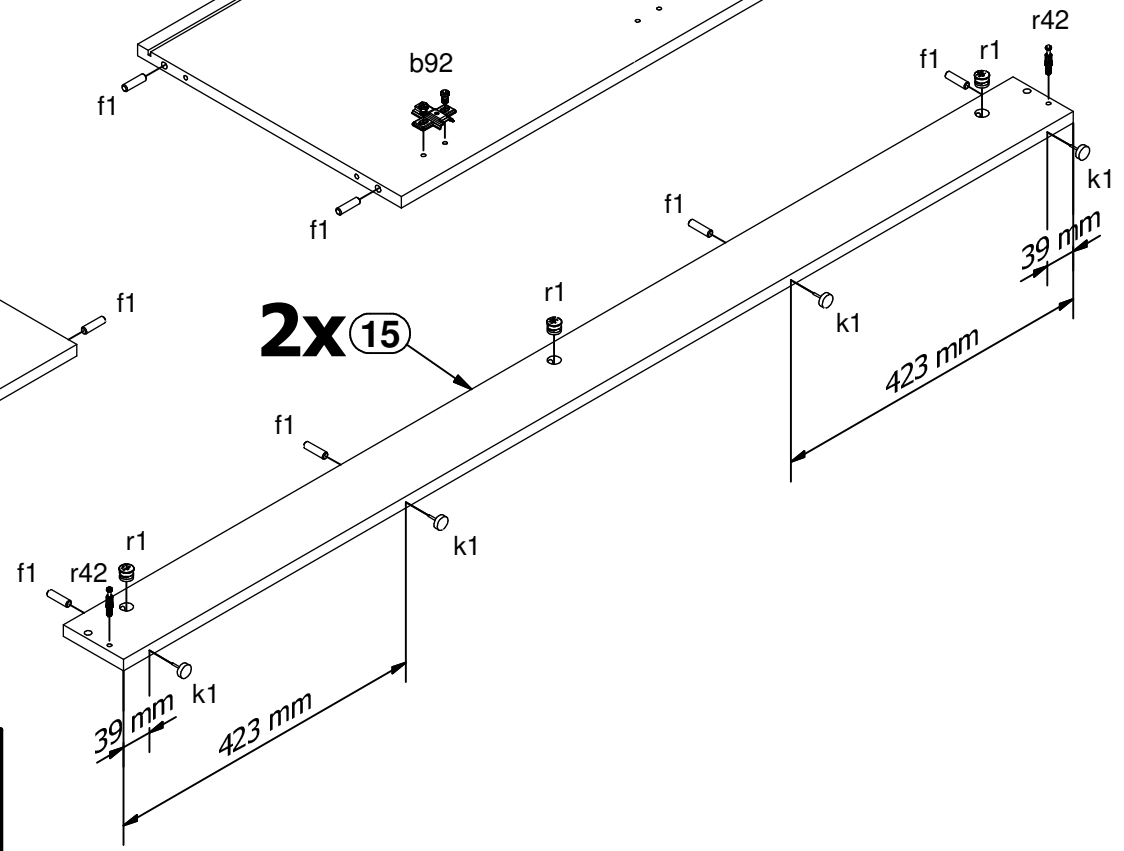
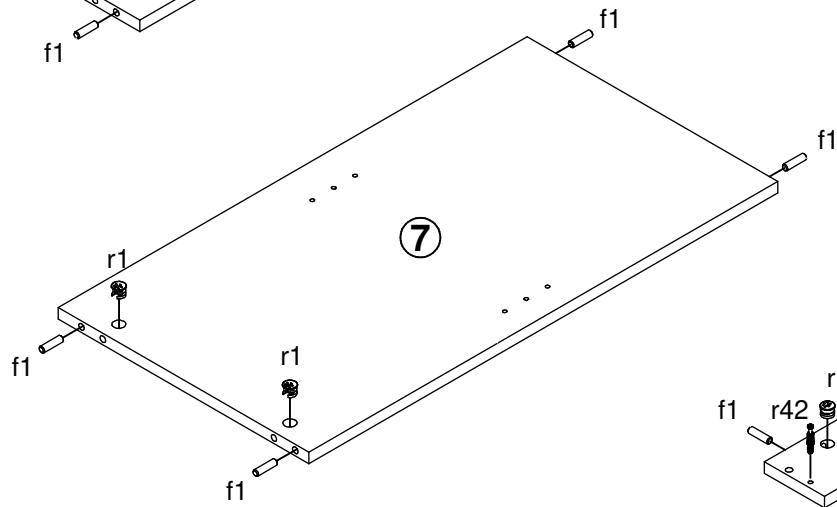
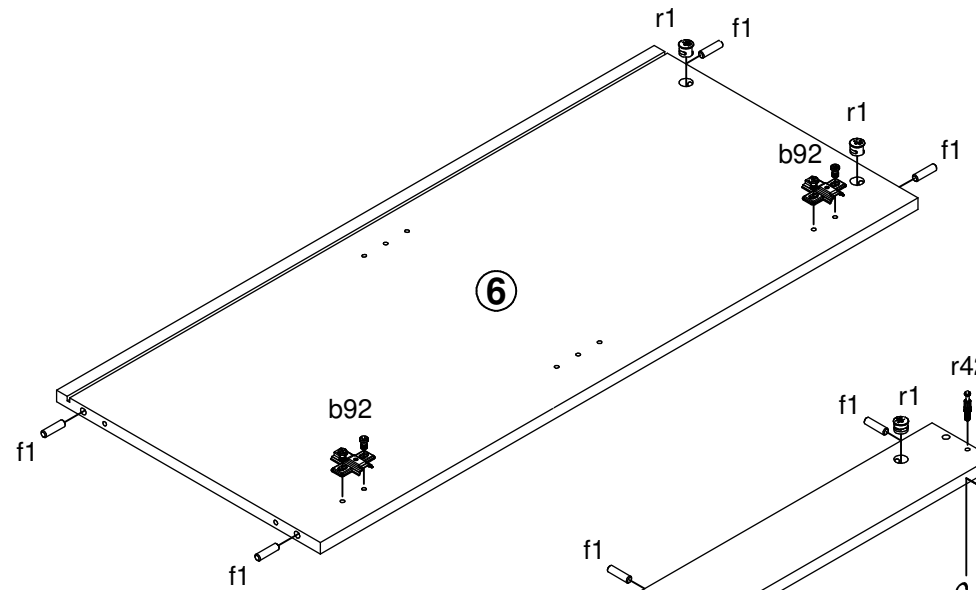
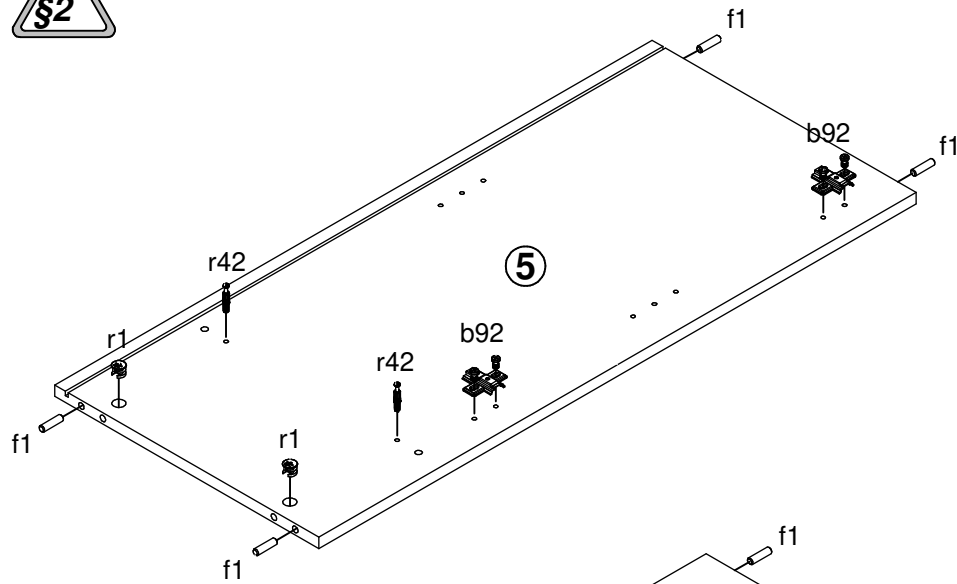


A	B	C (mm)			D
1	S617-0017	722	496	16	2/3
2	S617-0018	722	496	16	2/3
3	S617-0119	905	496	16	2/3
4	S617-1025	177	200	15	1/3
5	S617-1026	894	395	15	1/3
6	S617-1027	894	395	15	1/3
7	S617-1028	702	375	15	1/3
8	S617-1029	894	375	15	1/3
9	S617-2013	1500	415	18	3/3
10	S617-2014	1500	395	15	3/3
11	S617-3003	476	355	15	2/3
12	S617-3013	976	375	15	1/3
13	S617-3014	483	355	15	1/3
14	S617-4002	305	90	15	3/3
15	S617-4005	1421	90	15	3/3
17	S617-9008	904	489	2,5	2/3
18	S617-9010	904	498	2,5	2/3
19	S617-9012	904	489	2,5	2/3



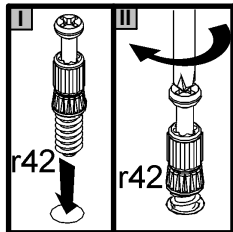
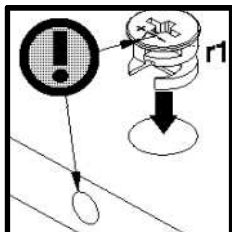
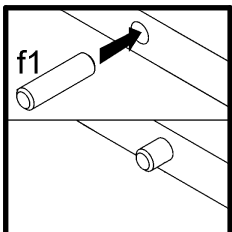
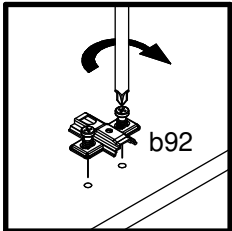
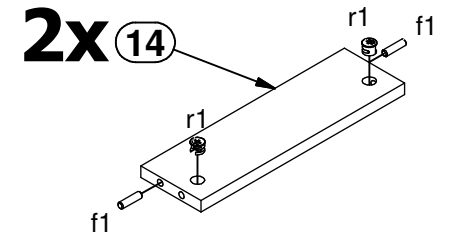
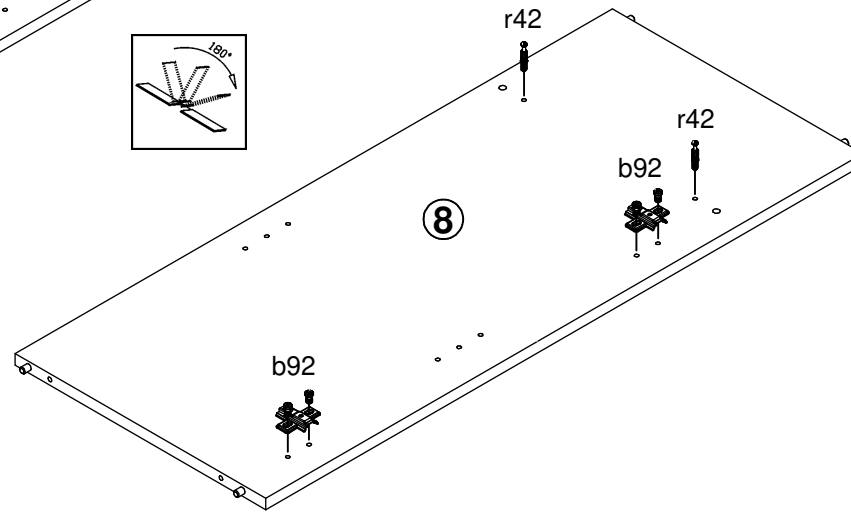
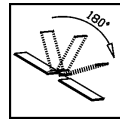
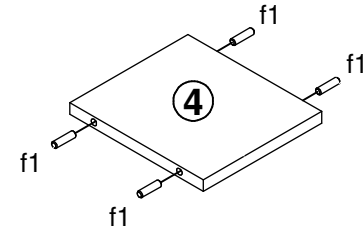
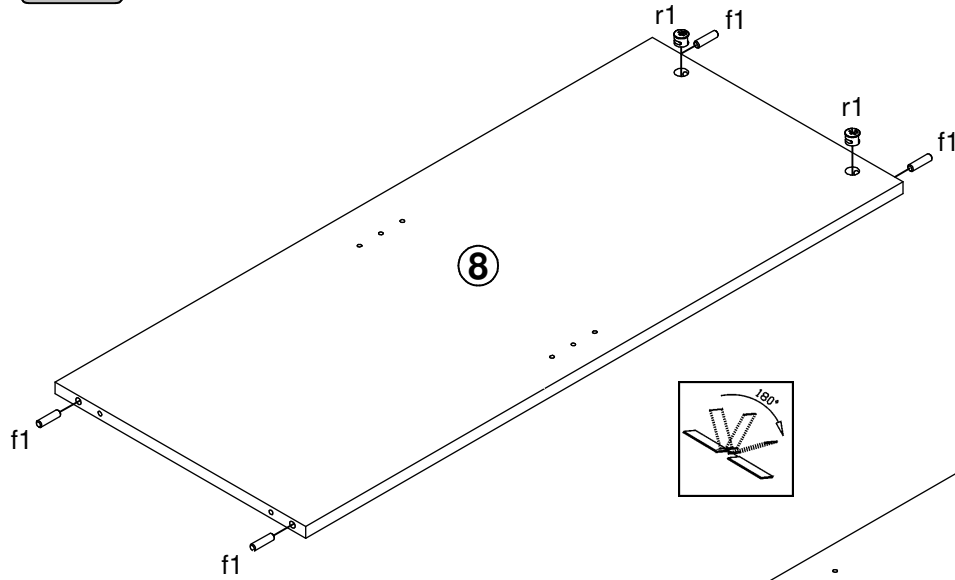
4x hamulec a204	2x hamulec a205	6x b92	3x c491/1	cm 0 1 2 3 4 5 6 7 8 9 10							12x d1	8x e1	36x f1	<table border="1"><tr><th>D</th></tr><tr><td>1/3</td></tr></table>	D	1/3
D																
1/3																
2x f35	6x j30	8x k1	10x l2	8x n108	2x n14/2	2x p17	16x p51	12x p55	22x r1	22x r42	8x s68	1x z1				



1 



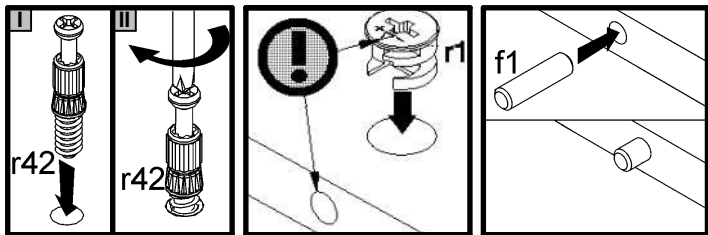
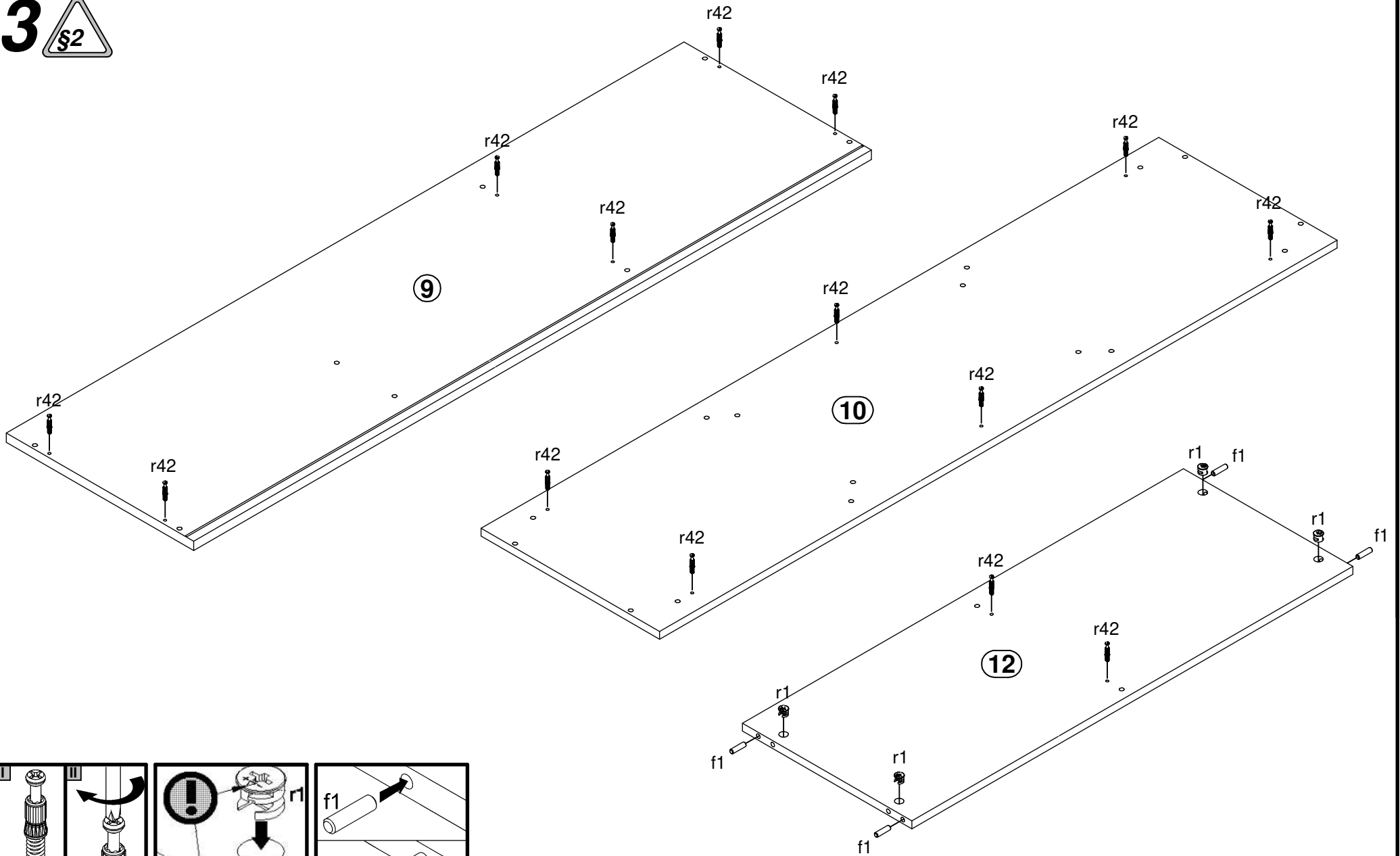
- 4x  **b92**
- 20x  **f1**
Ø8x30 mm
- 8x  **k1**
- 12x  **r1**
Ø15x12 mm #16
- 6x  **r42**
20/11

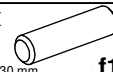

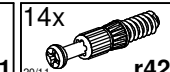
2 



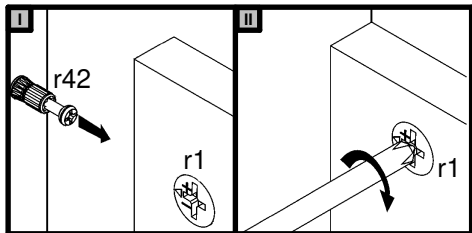
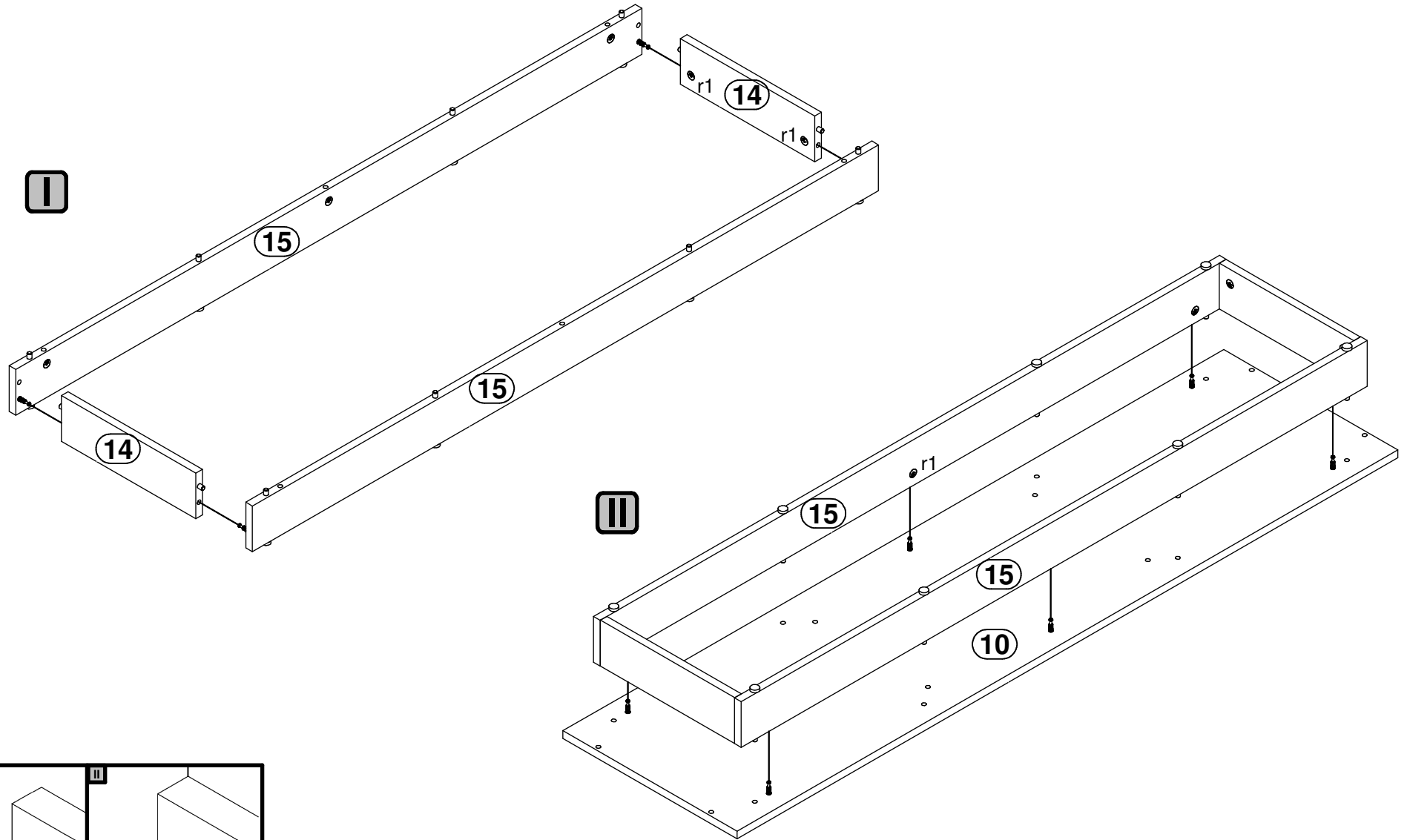
- 2x  **b92**
- 12x  **f1**
Ø8x30 mm
- 6x  **r1**
Ø15x12 mm #16
- 2x  **r42**
20/11

3 

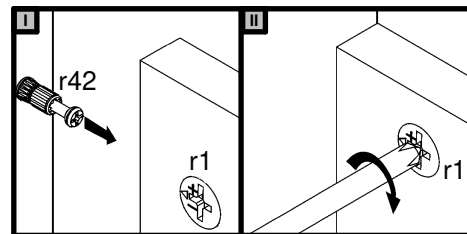
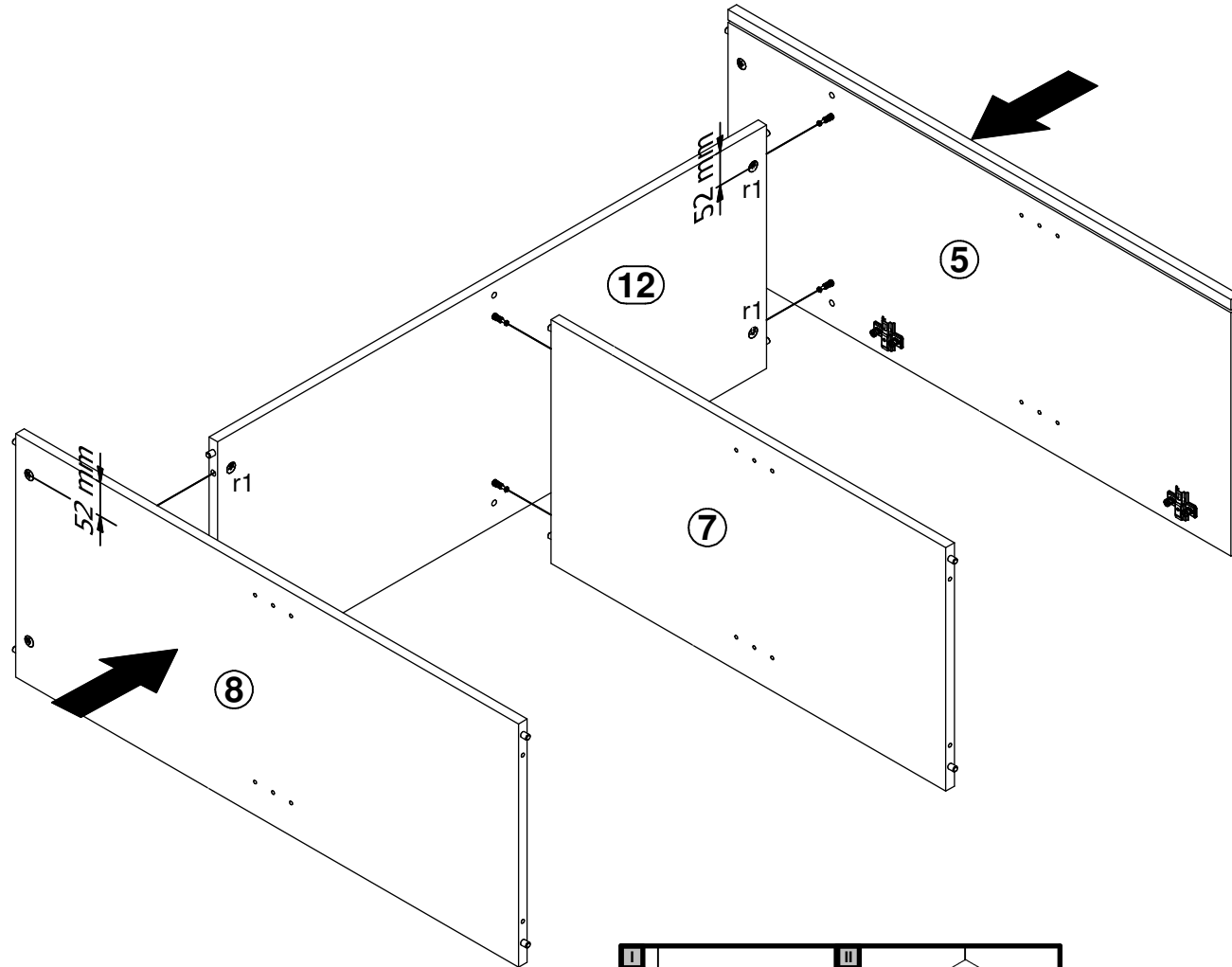


4x  Ø8x30 mm f1	4x  Ø15x12 mm #16 r1	14x  2011 r42
--	---	--

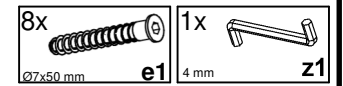
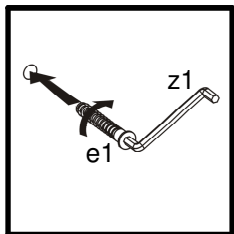
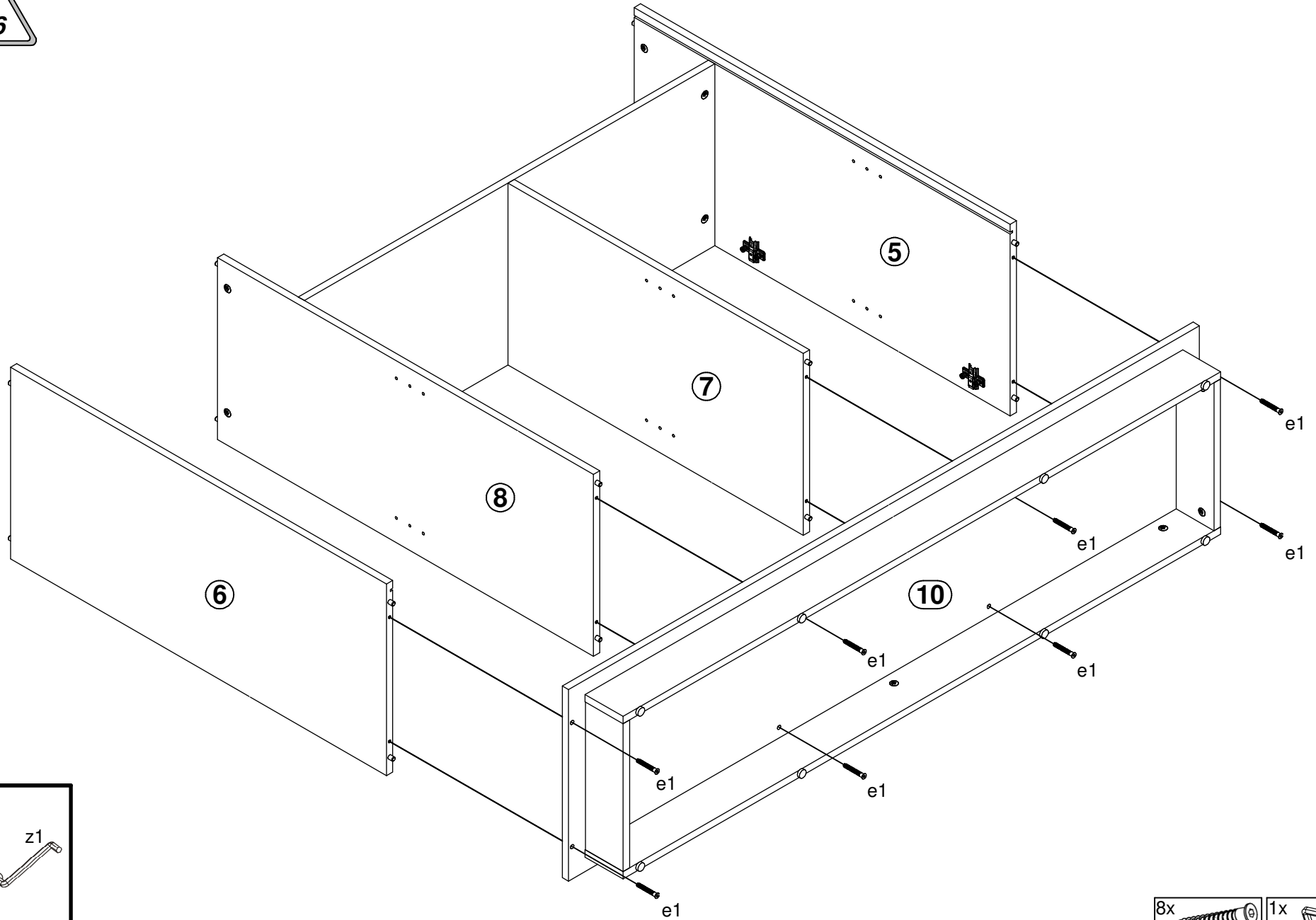
4 



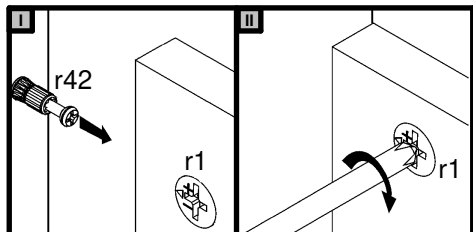
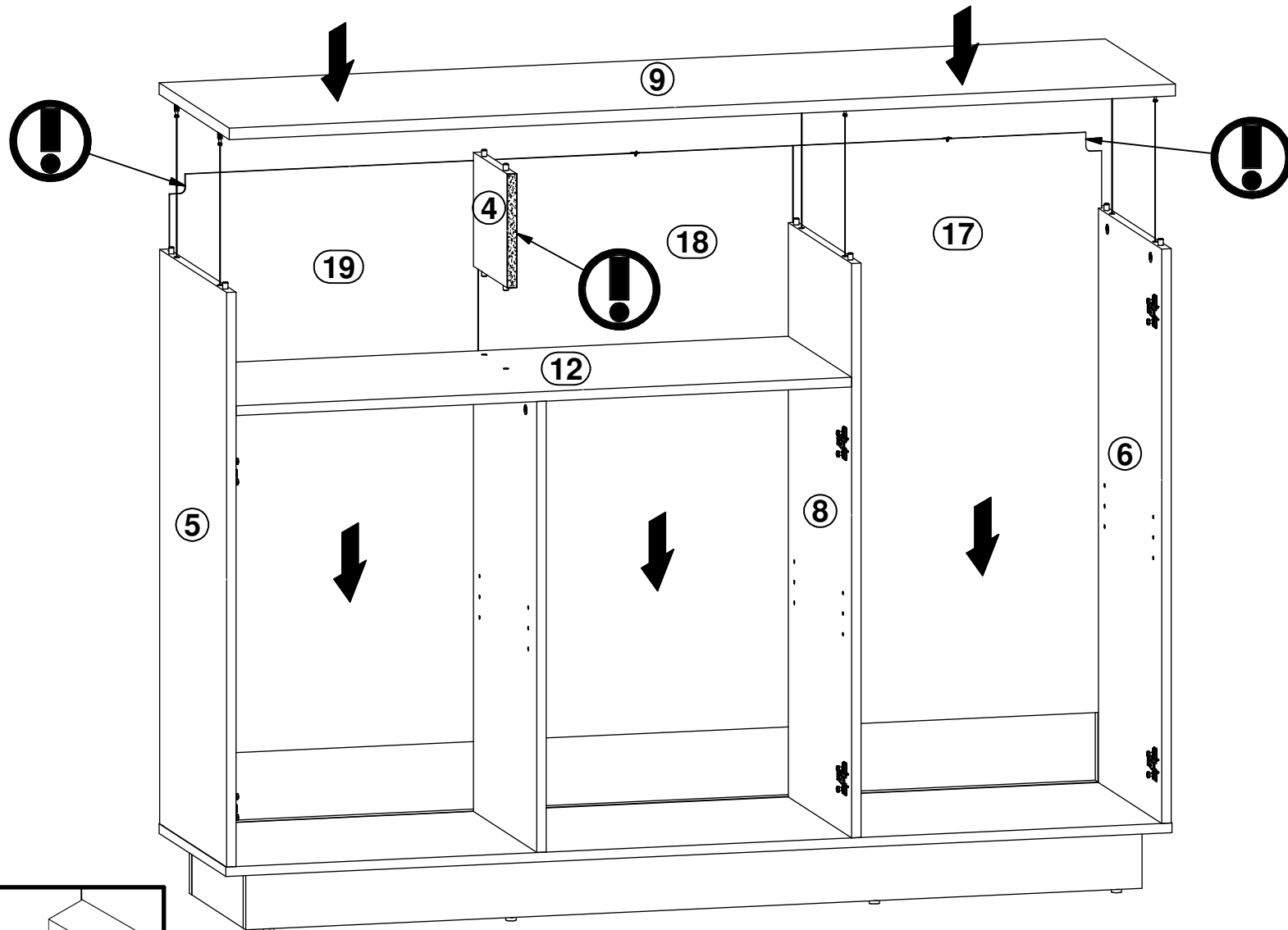
5 



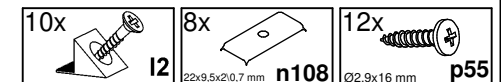
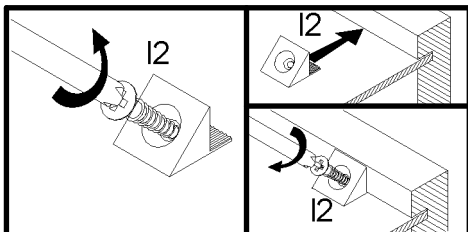
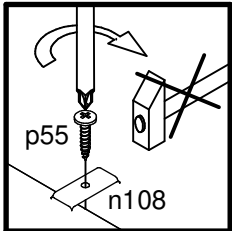
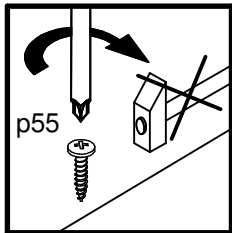
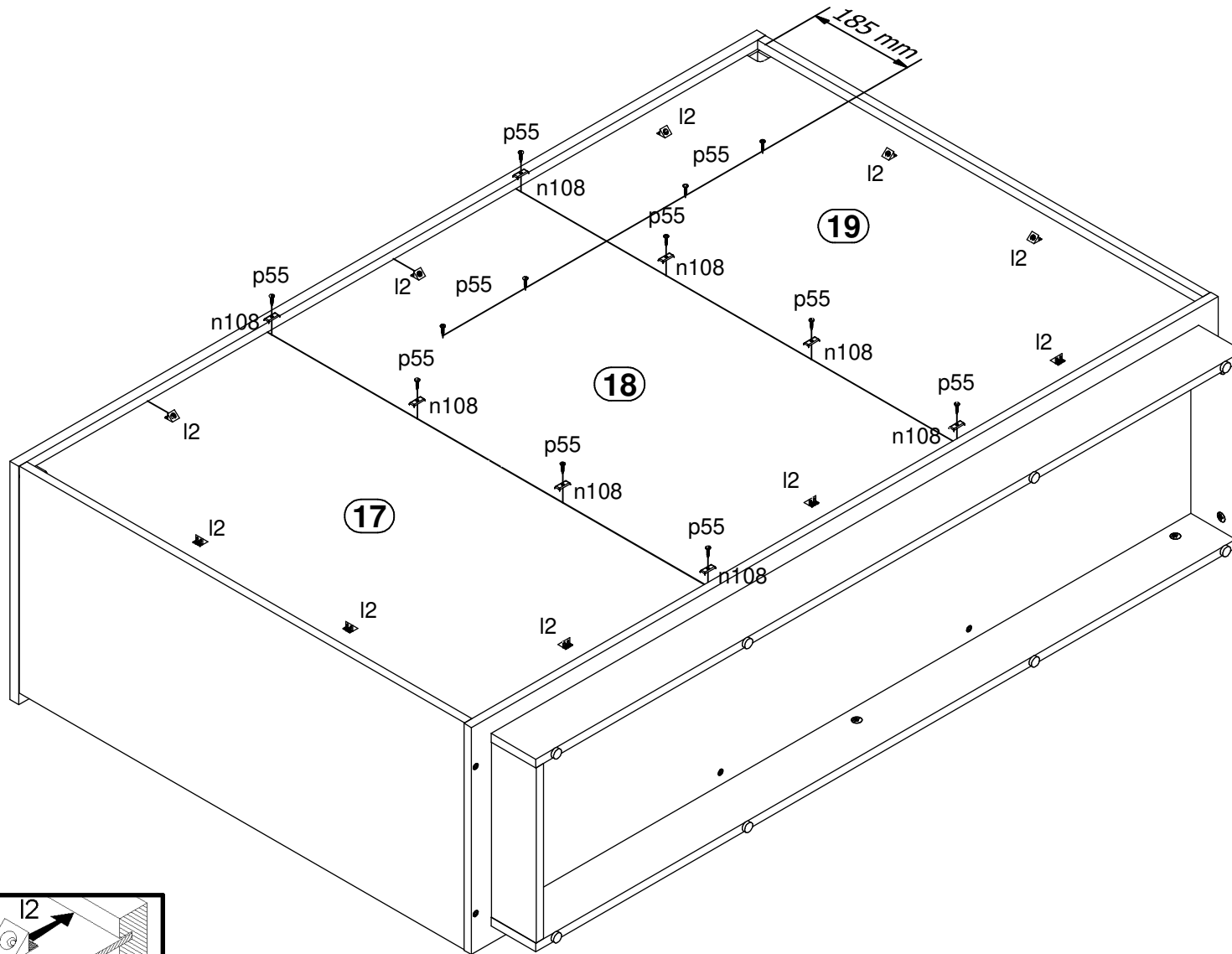
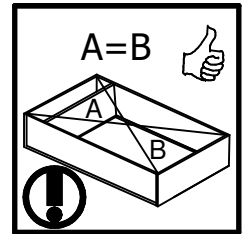
6 



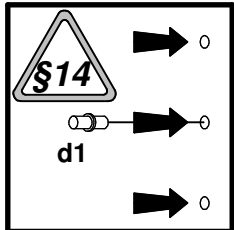
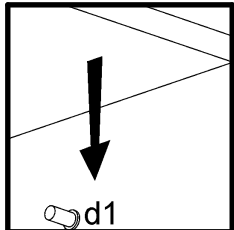
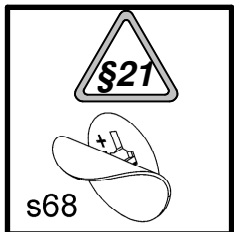
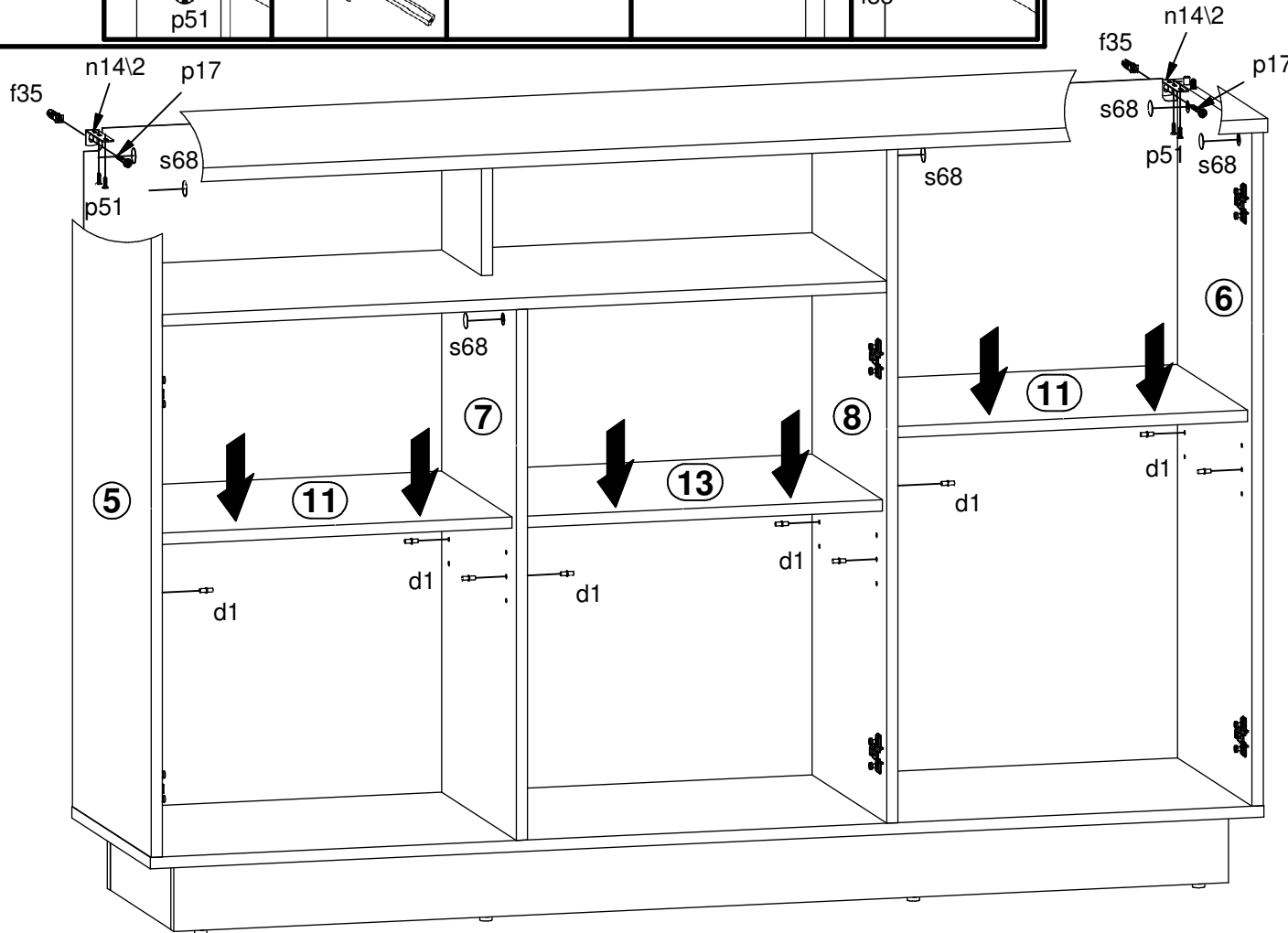
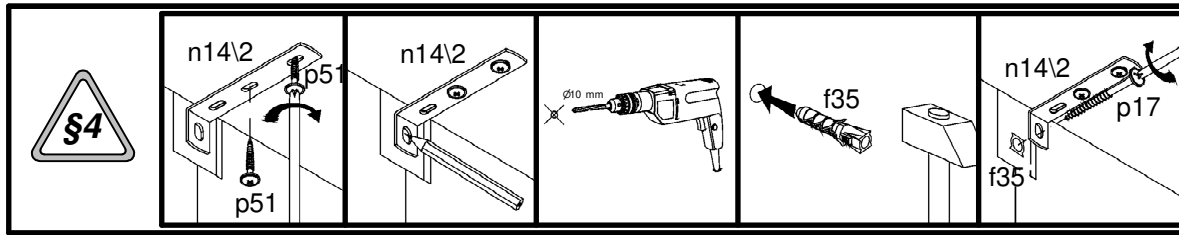
7 

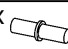


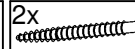




8 

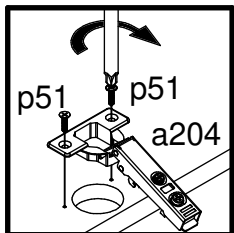
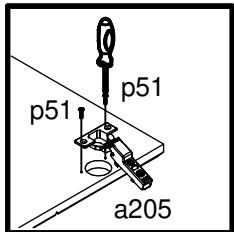
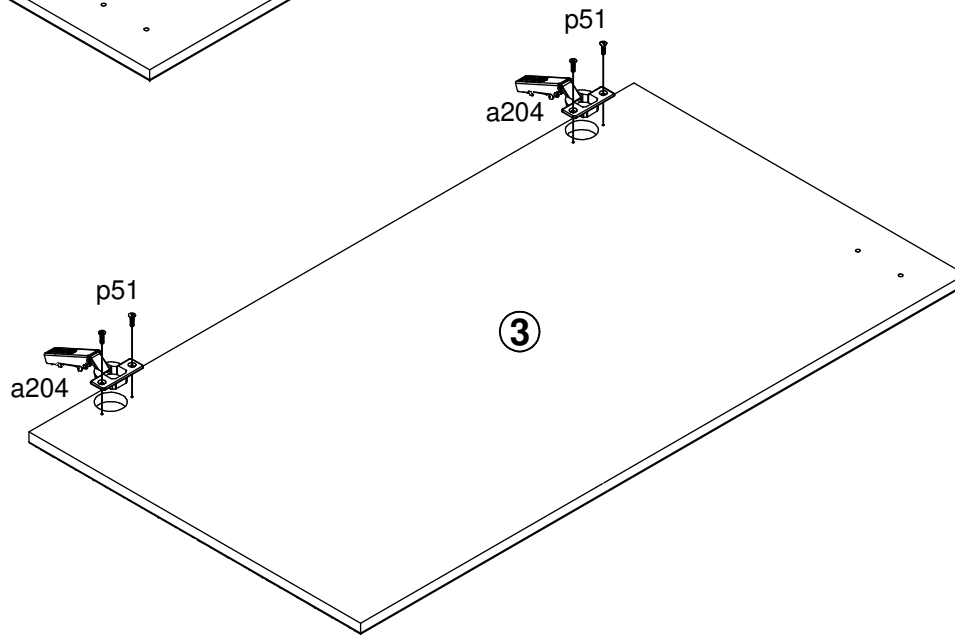
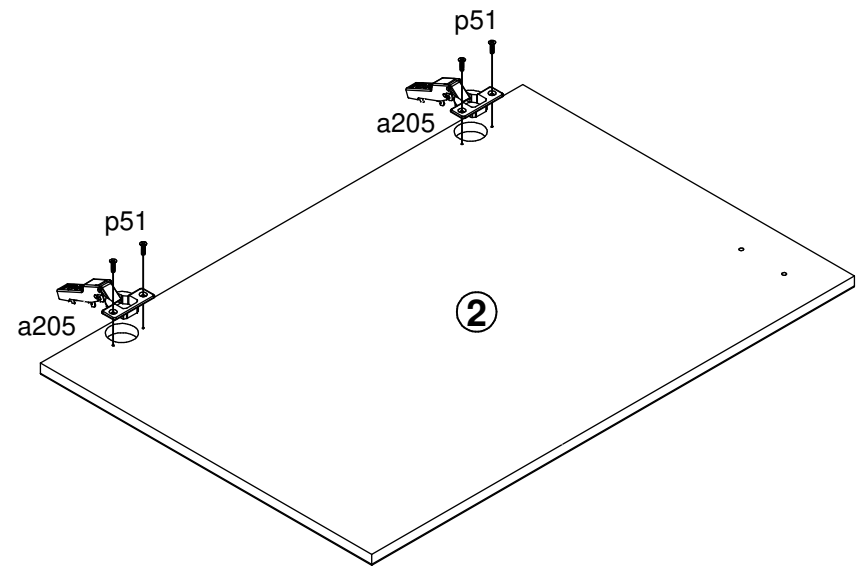
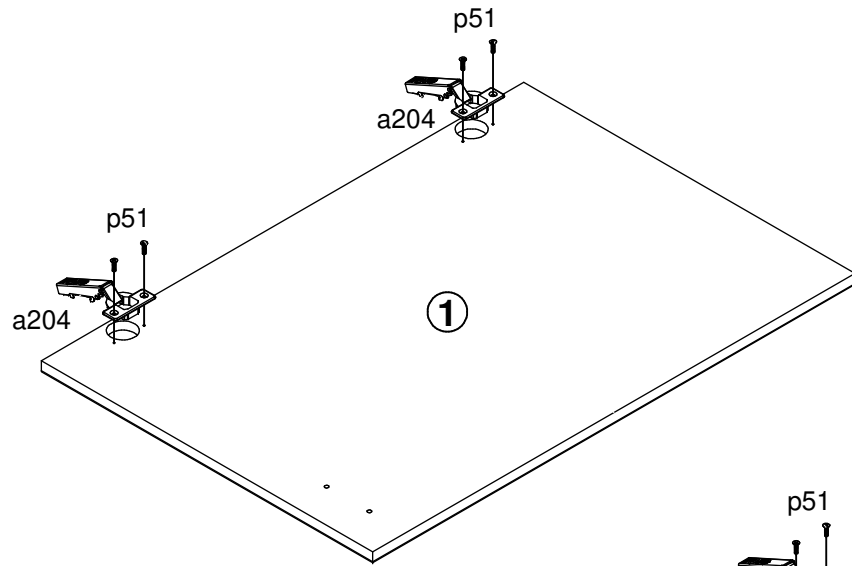





9 §6



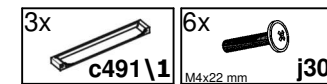
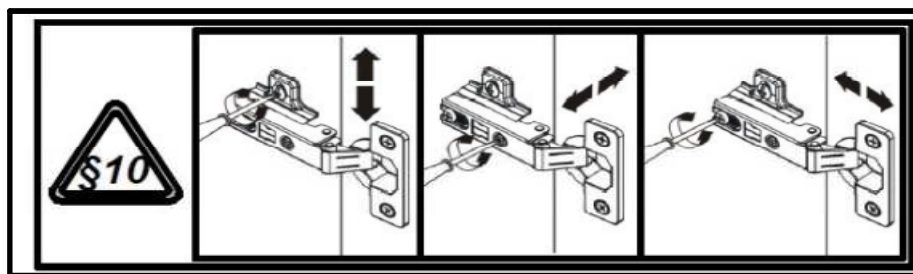
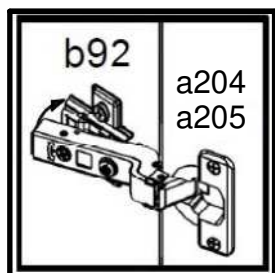
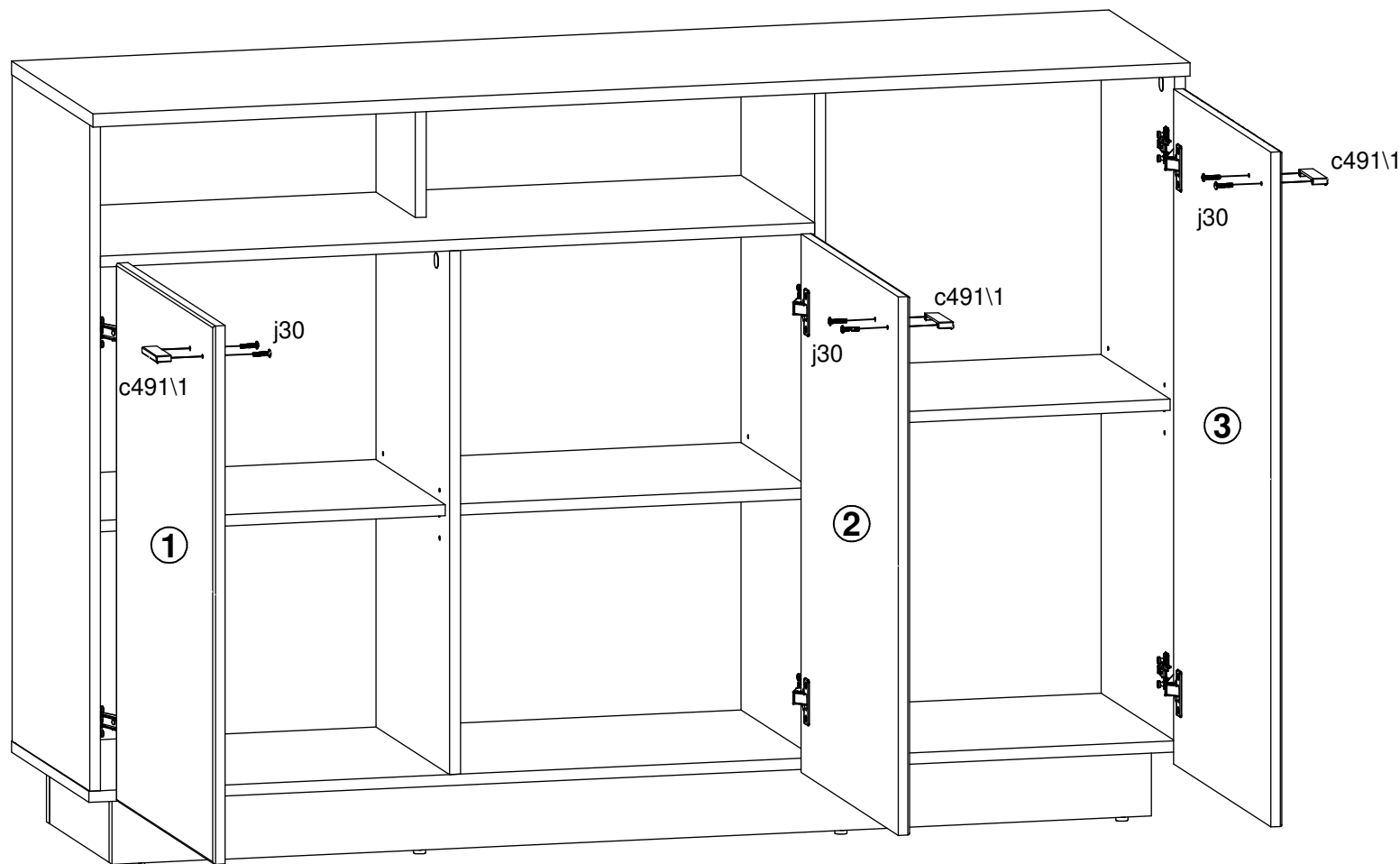
- 12x  d1
Ø5x17 mm
- 2x  f35
Ø10x50 mm
- 2x  n14/2
86x21x15/1,5
- 2x  p17
Ø5x60 mm
- 4x  p51
Ø3,5x15 mm
- 8x  s68
Ø 20mm

10 



4x  a204	2x  a205	12x  p51
---	---	---

11



12

