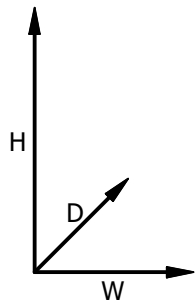
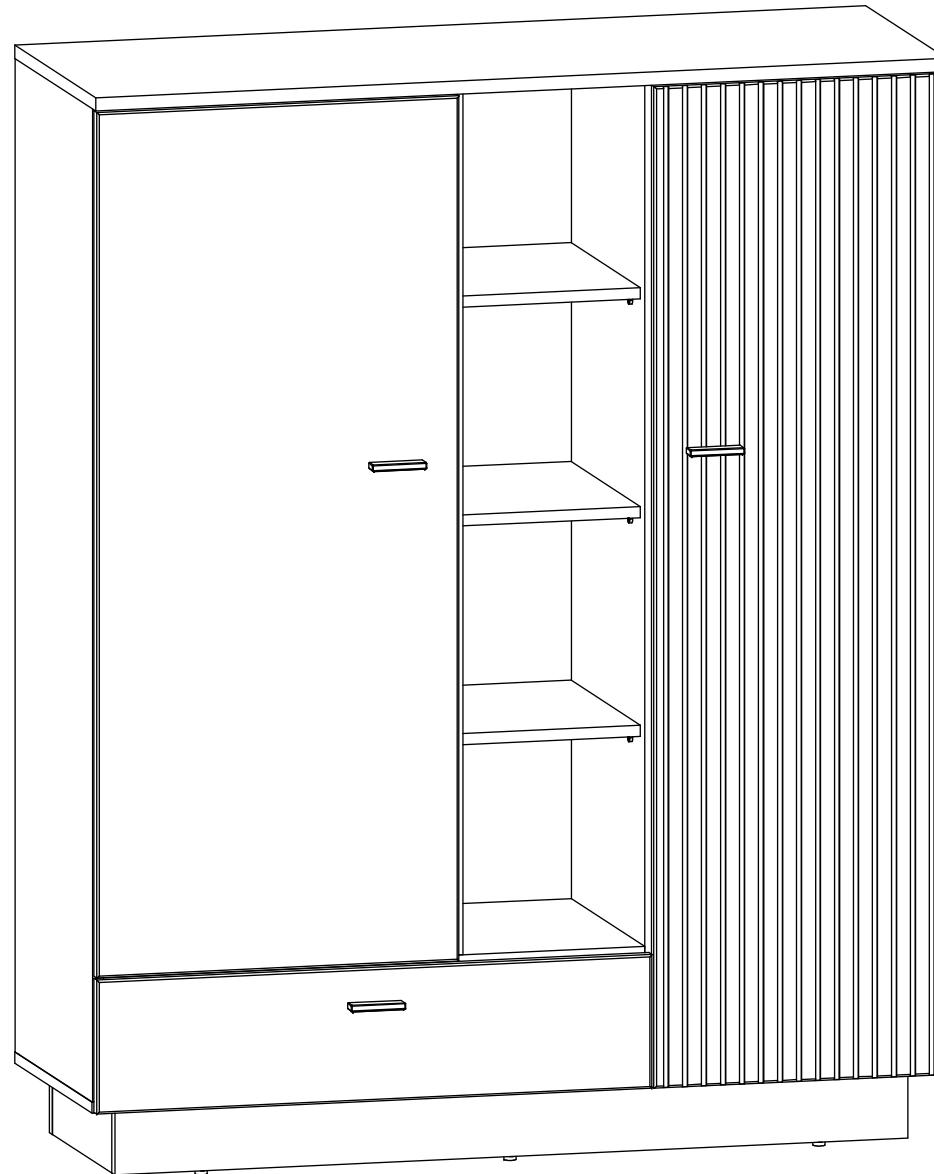
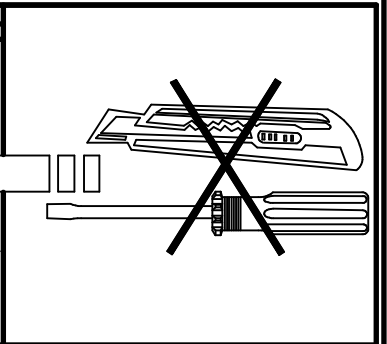
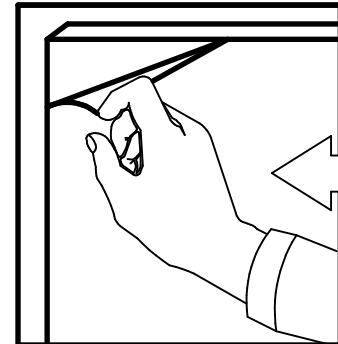
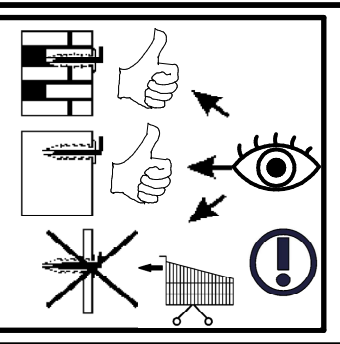
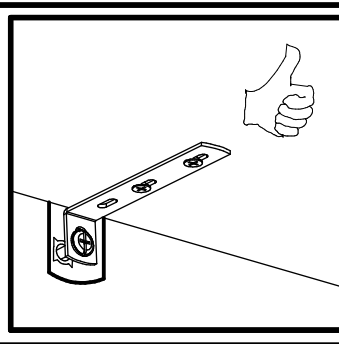
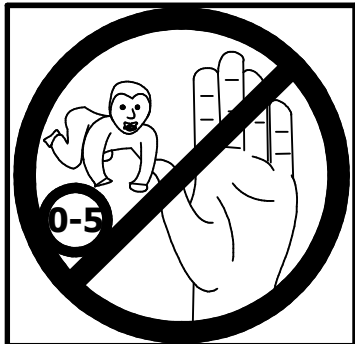
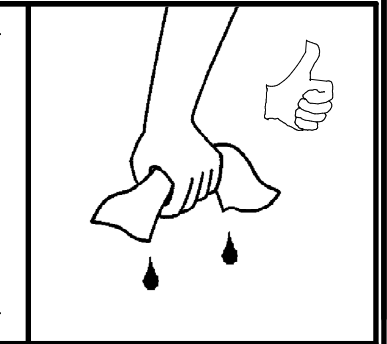
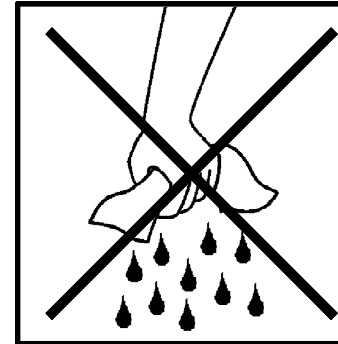
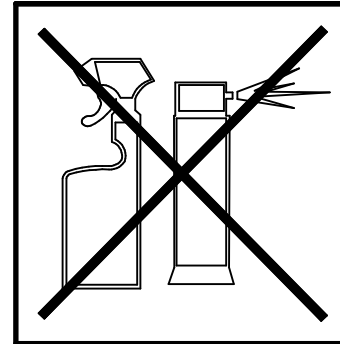
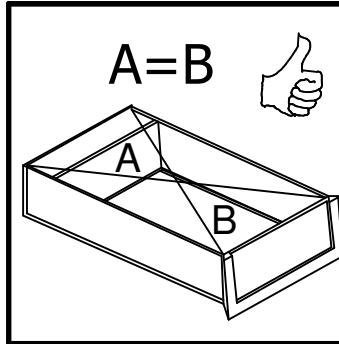
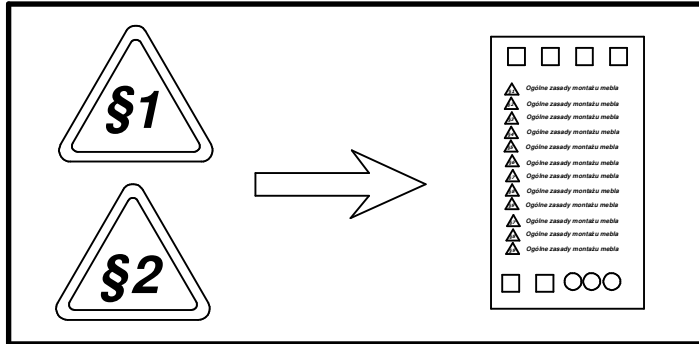
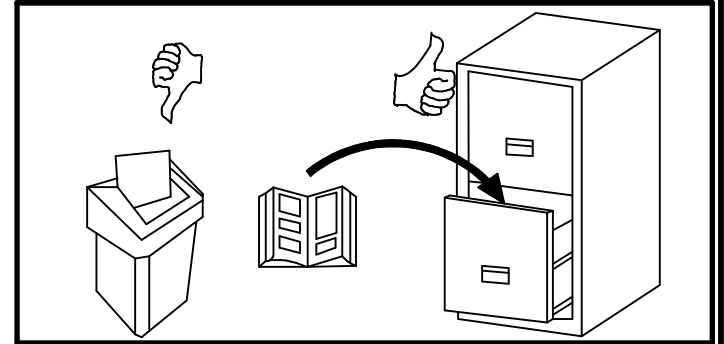
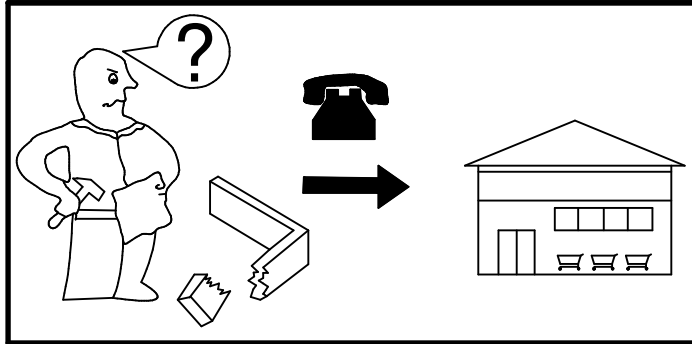
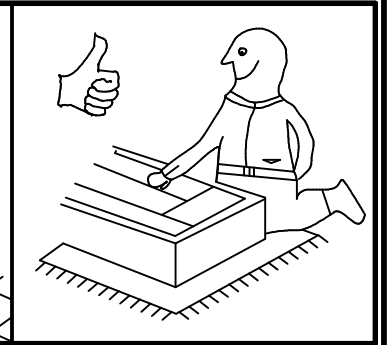
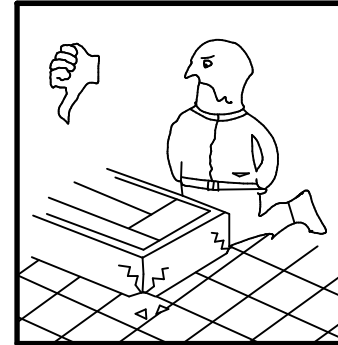
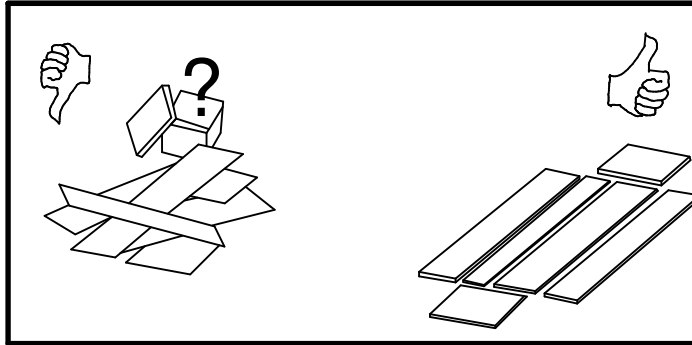
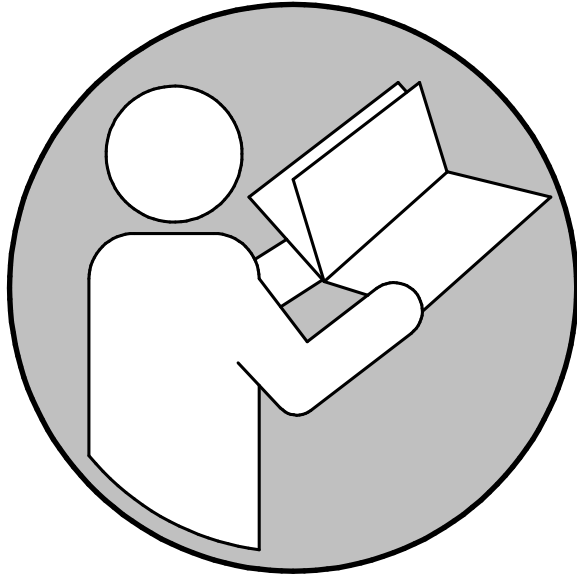


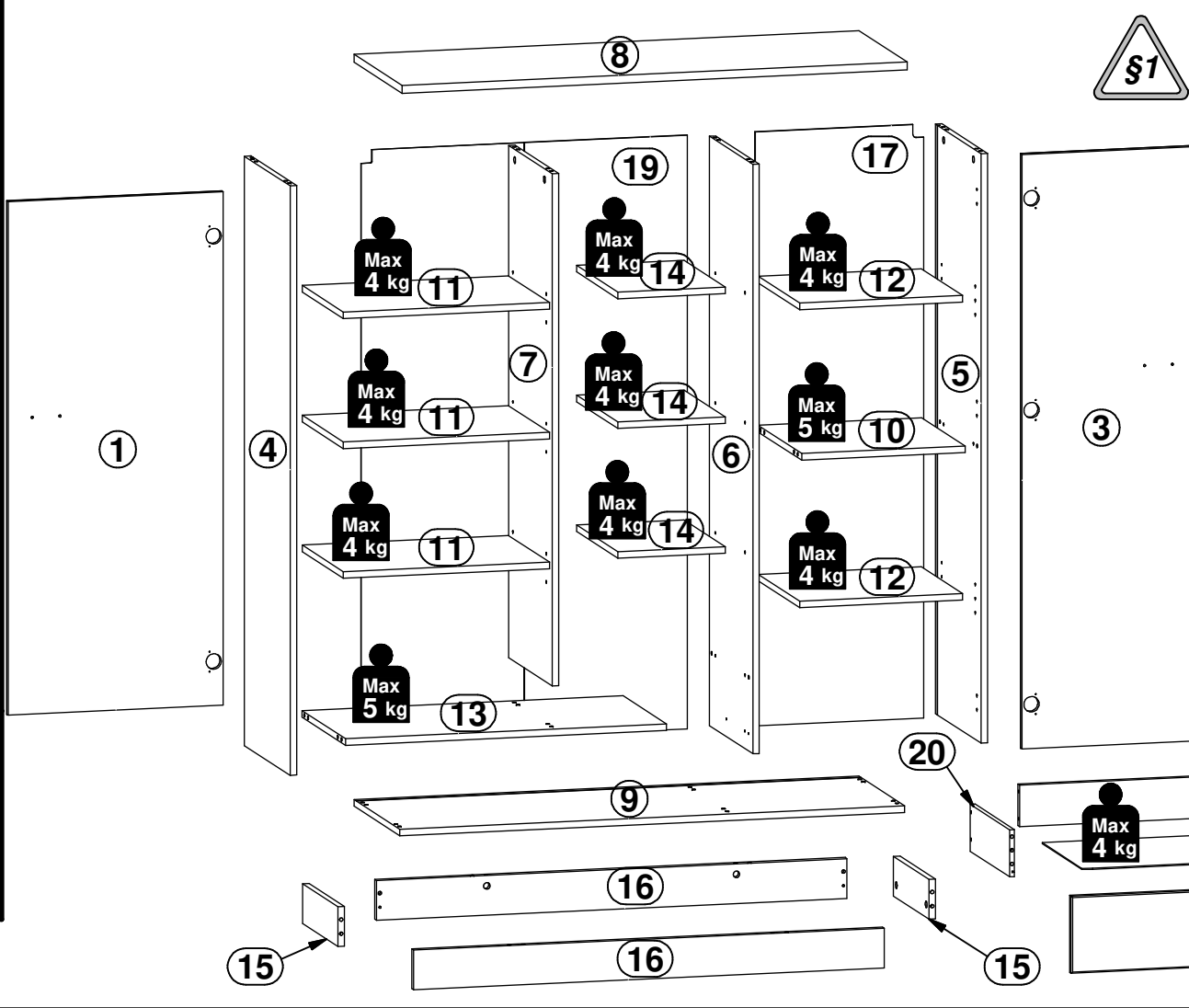
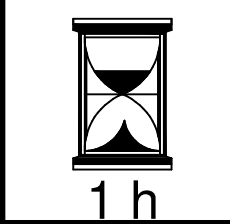
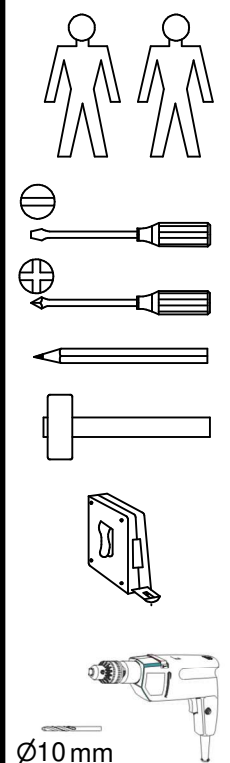
ZENDA

S617-REG2D1S

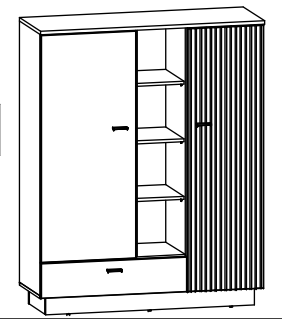


H - 1463 mm
W - 1165 mm
D - 415 mm



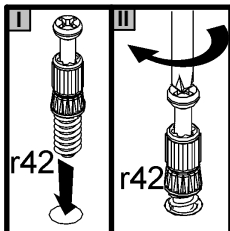
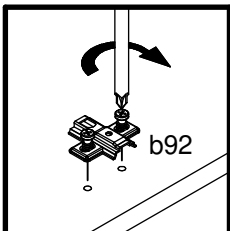
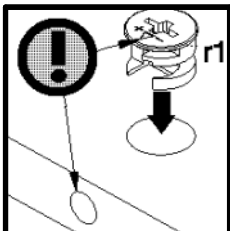
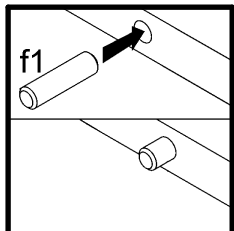
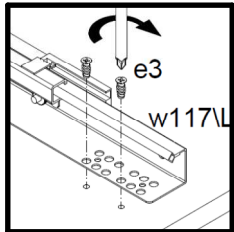
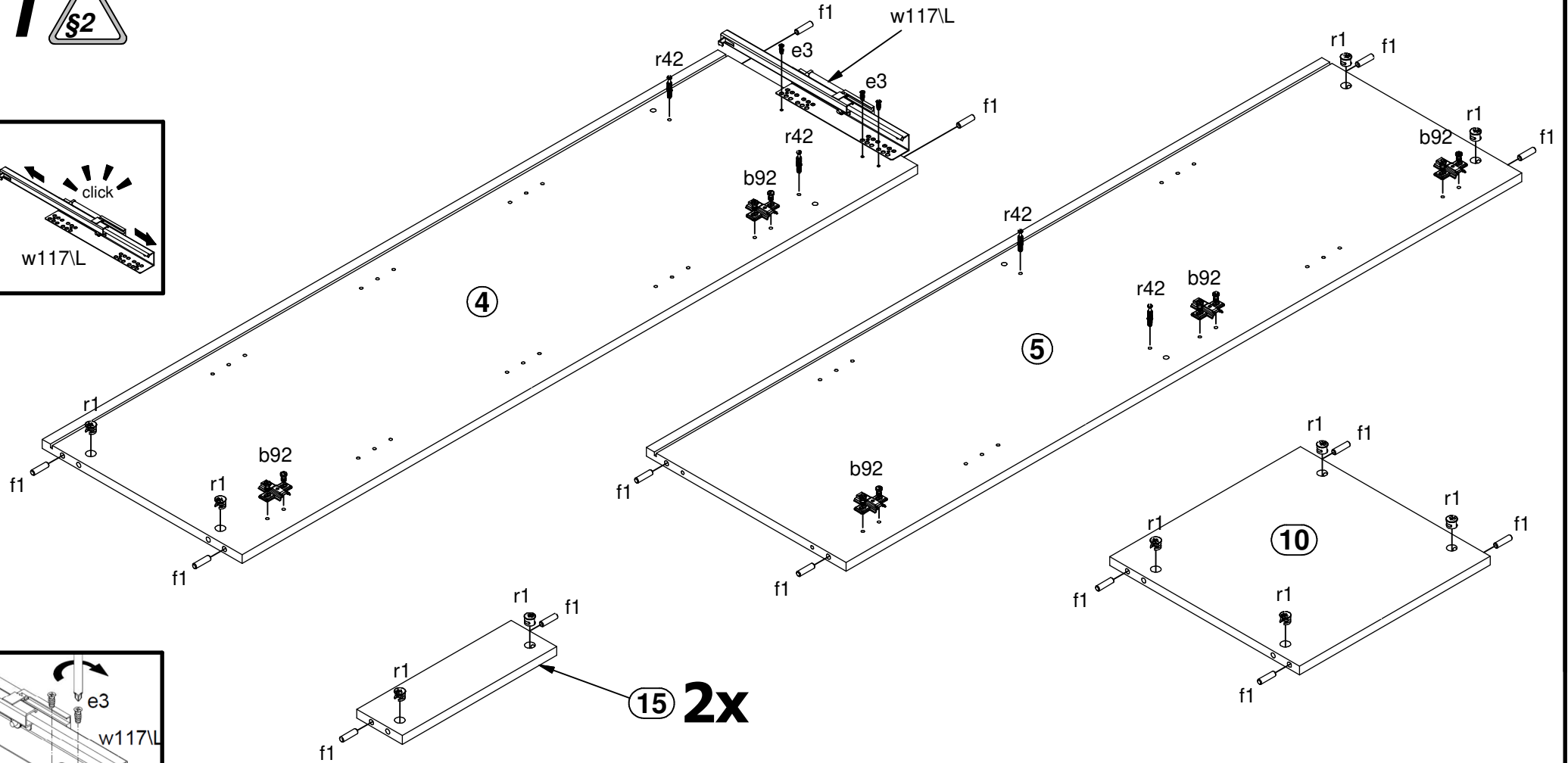
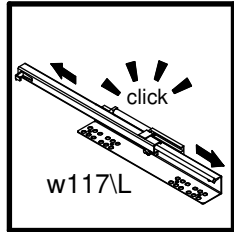


A	B	C (mm)			D
1	S617-0009	1163	496	16	3/3
2	S617-0010	760	180	16	3/3
3	S617-0108	1346	396	16	3/3
4	S617-1014	1335	395	15	1/3
5	S617-1015	1335	395	15	1/3
6	S617-1016	1335	375	15	1/3
7	S617-1017	1160	375	15	1/3
8	S617-2007	1165	415	18	2/3
9	S617-2008	1165	395	15	2/3
10	S617-3002	377	375	15	2/3
11	S617-3003	476	355	15	2/3
12	S617-3004	376	355	15	2/3
13	S617-3009	741	375	15	2/3
14	S617-3010	248	355	15	2/3
15	S617-4002	305	90	15	3/3
16	S617-4004	1086	90	15	3/3
17	S617-9003	1345	389	2,5	1/3
18	S617-9004	711	357	2,5	1/3
19	S617-9303	1345	753	2,5	1/3
20	WSQ2-5005	350	110	12	3/3
21	WSQ2-5006	350	110	12	3/3
22	ZQ6-5432	701	97	15	3/3



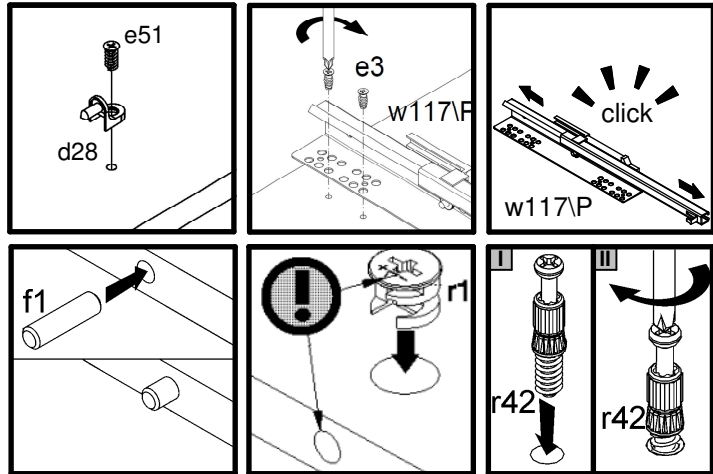
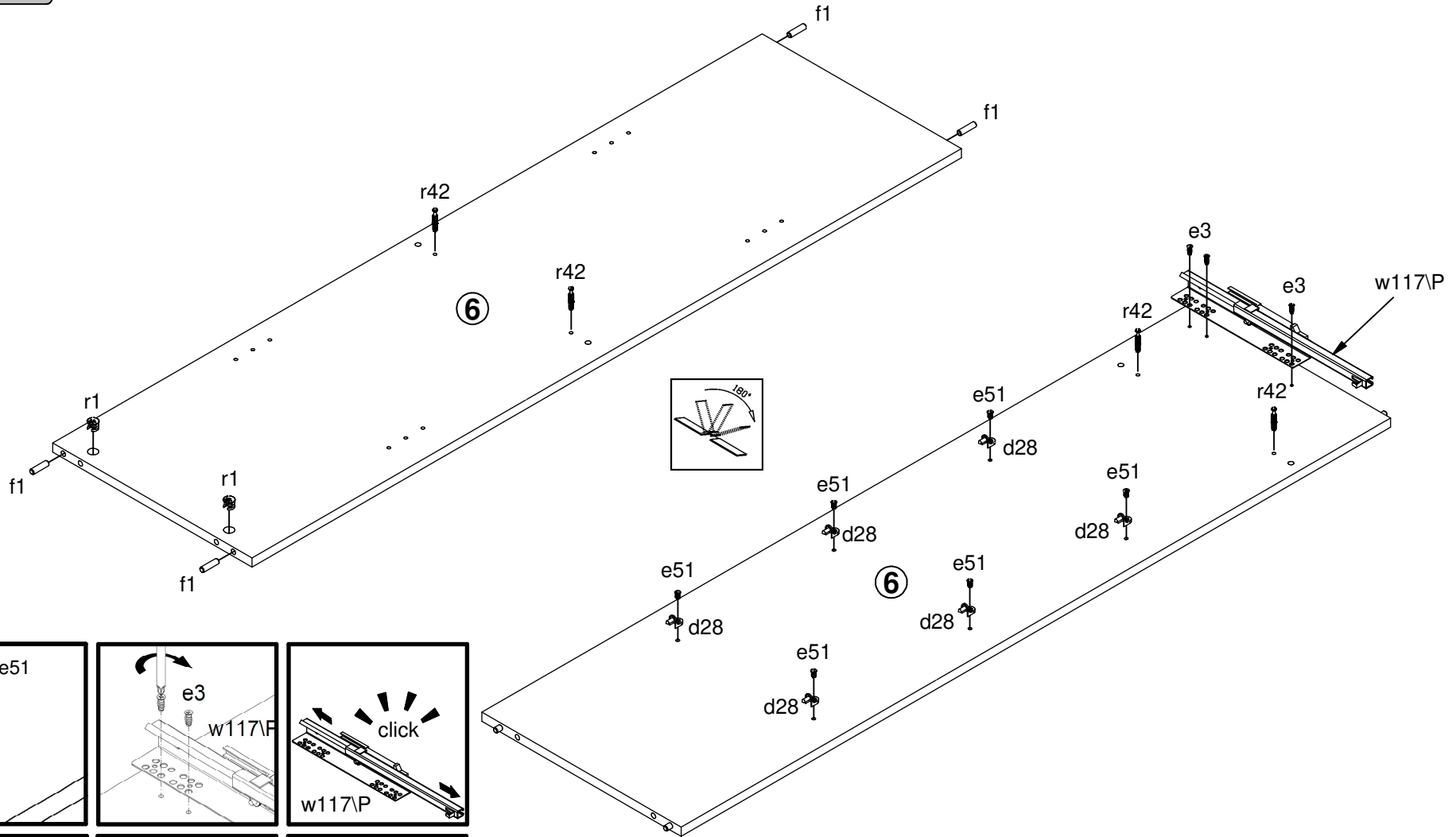
5x hamulec a204	5x b92	3x c491 1	20x d1	cm ruler 0-10						12x d28	8x e1	6x e3	D 2/3
12x e51	36x f1	4x f25	2x f35	6x j30	6x k1	12x l2	7x n108	2x n14/2	1x p140	2x p17	15x p51	15x p55	
24x r1	2x r15	26x r42	8x s68	1x t35	1x w117L	1x w117P	1x z1						


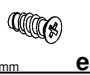

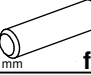



1



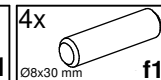
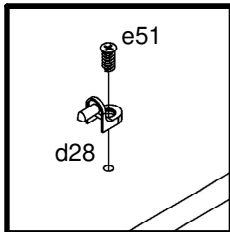
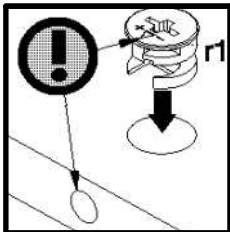
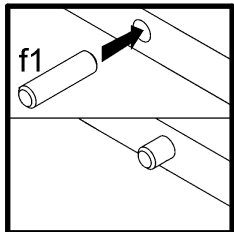
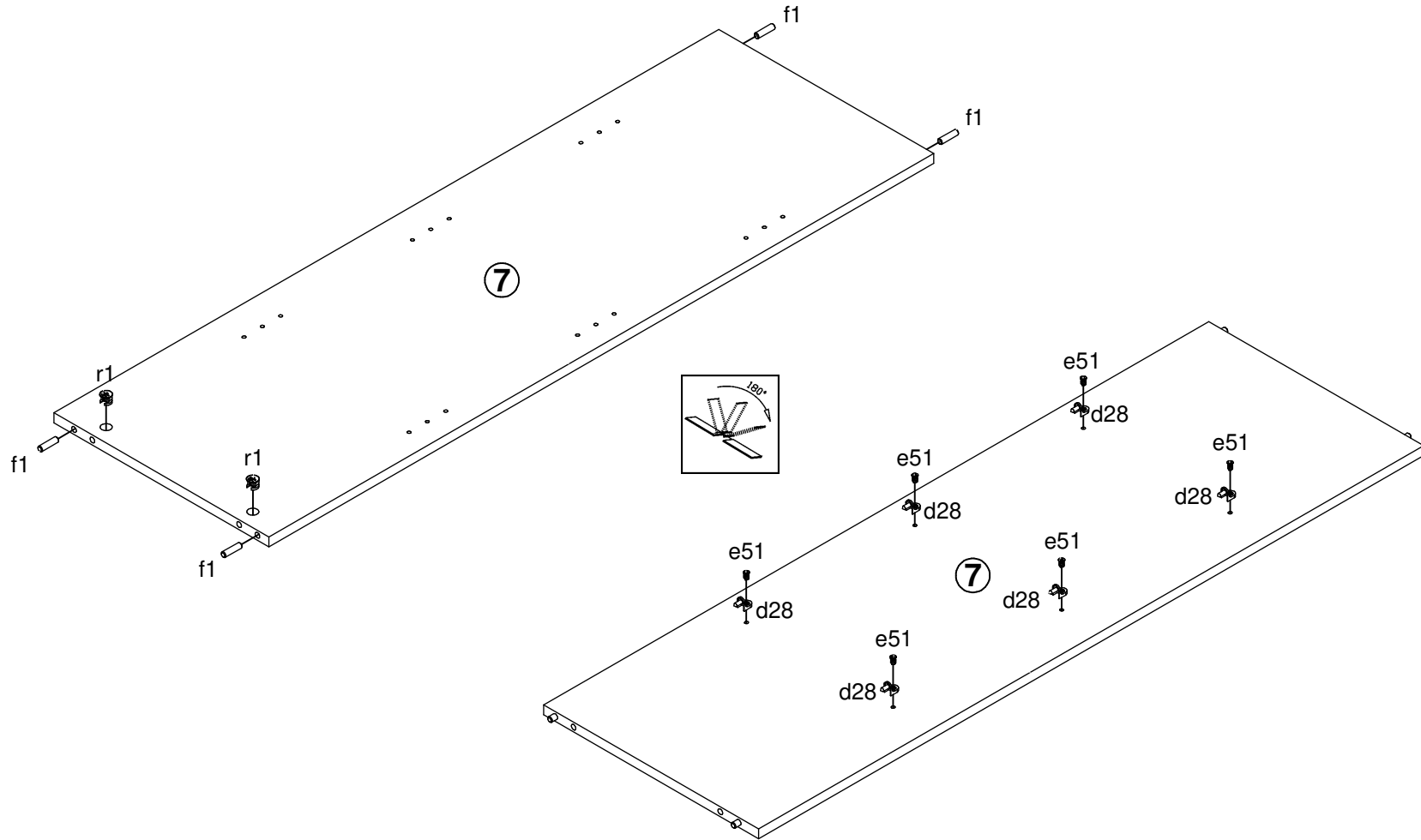
5x b92	3x e3 Ø6x13 mm	16x f1 Ø8x30 mm
12x r1 Ø15x12 mm #16	4x r42 20/11	1x w117L 350 mm

2 

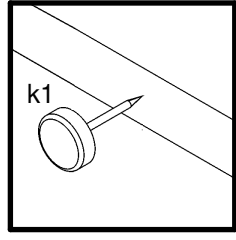
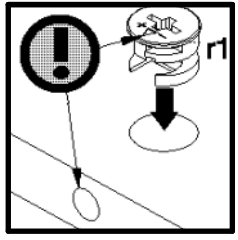
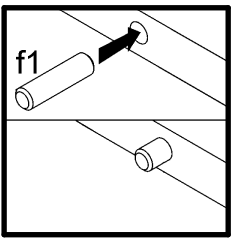
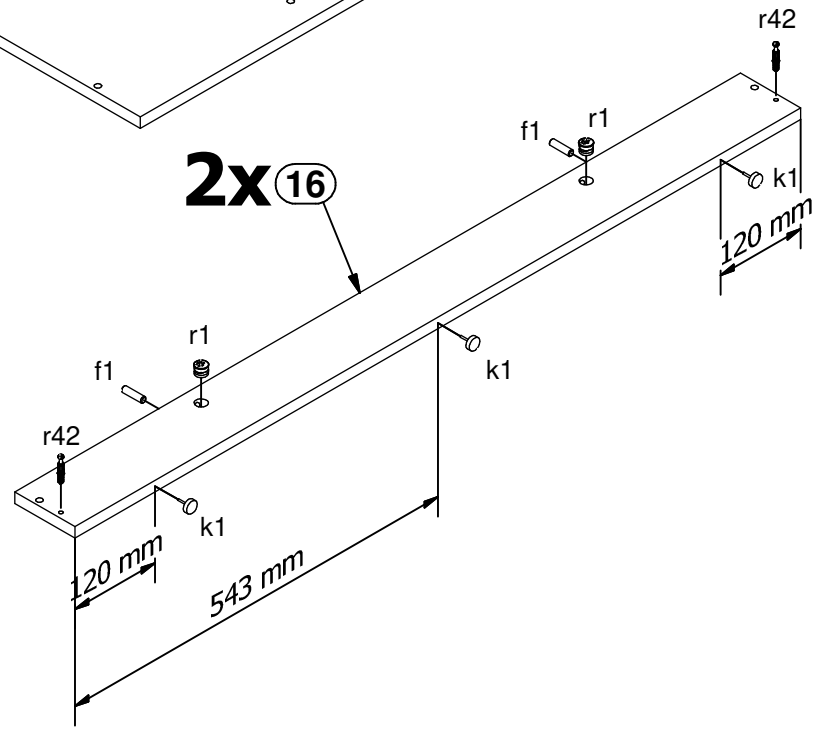
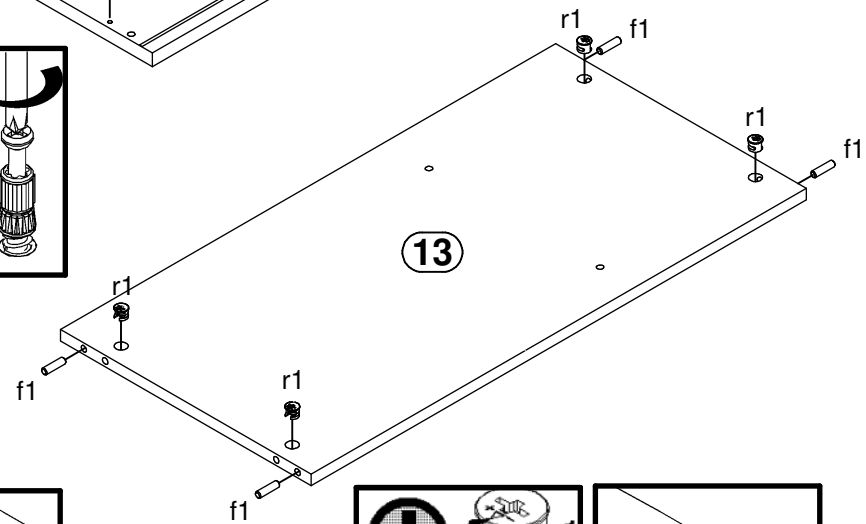
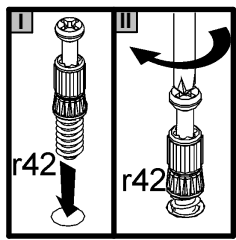
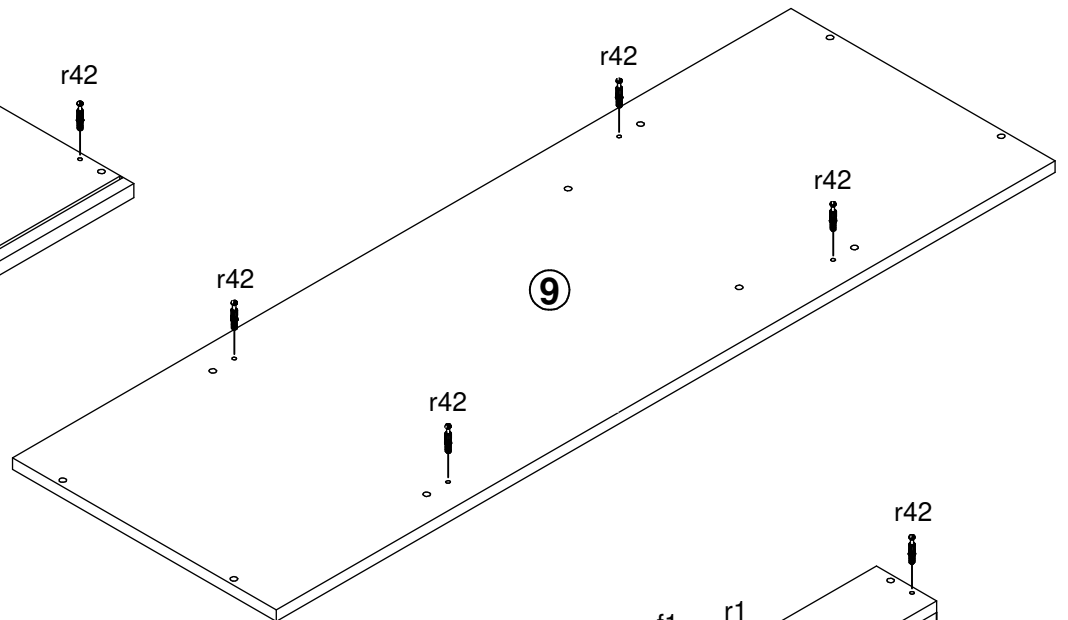
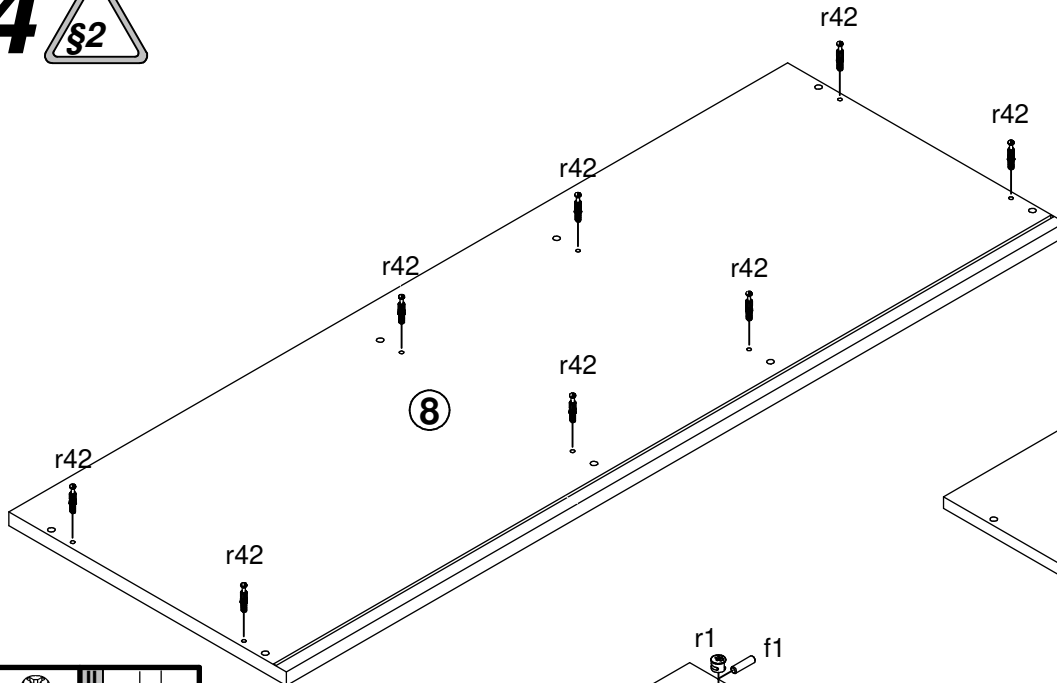


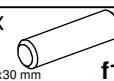
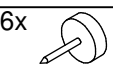
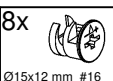
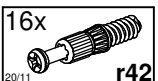
6x  d28	3x  e3	6x  e51	4x  f1
2x  r1	4x  r42	1x  w117P	

3 

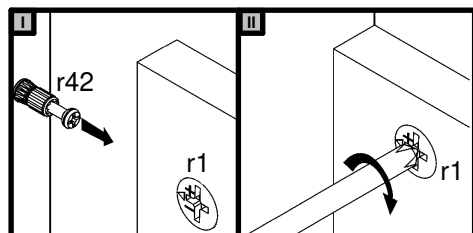
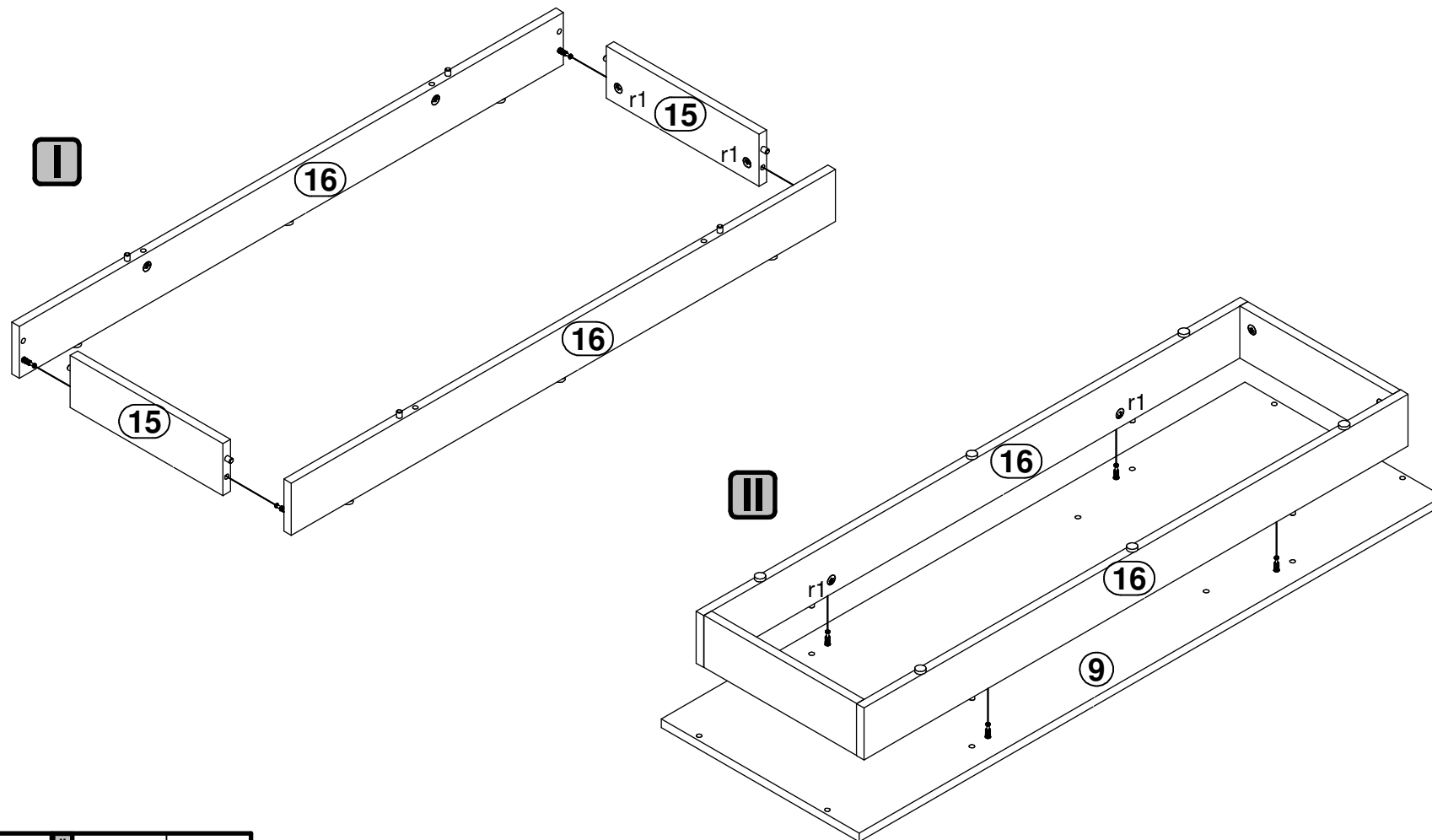


4 

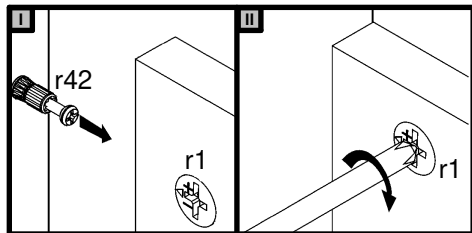
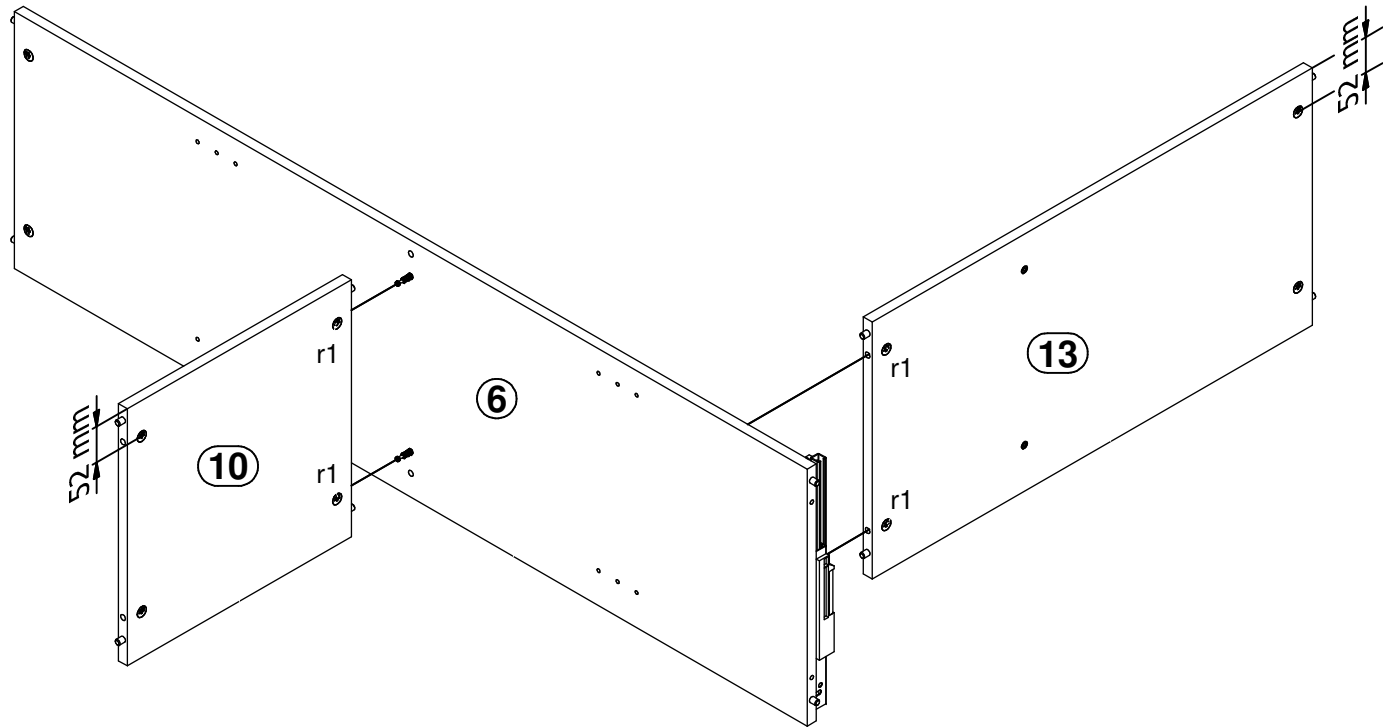


- | | | | |
|--|---|---|---|
| 8x

Ø8x30 mm f1 | 6x

k1 | 8x

Ø15x12 mm #16 r1 | 16x

r42 |
|--|---|---|---|

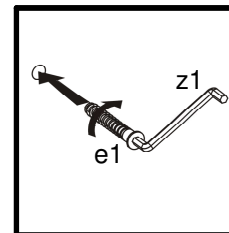
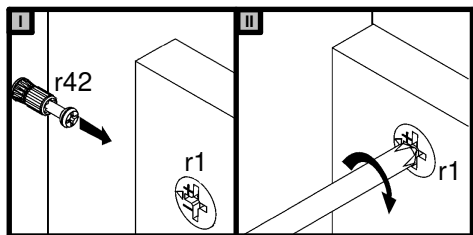
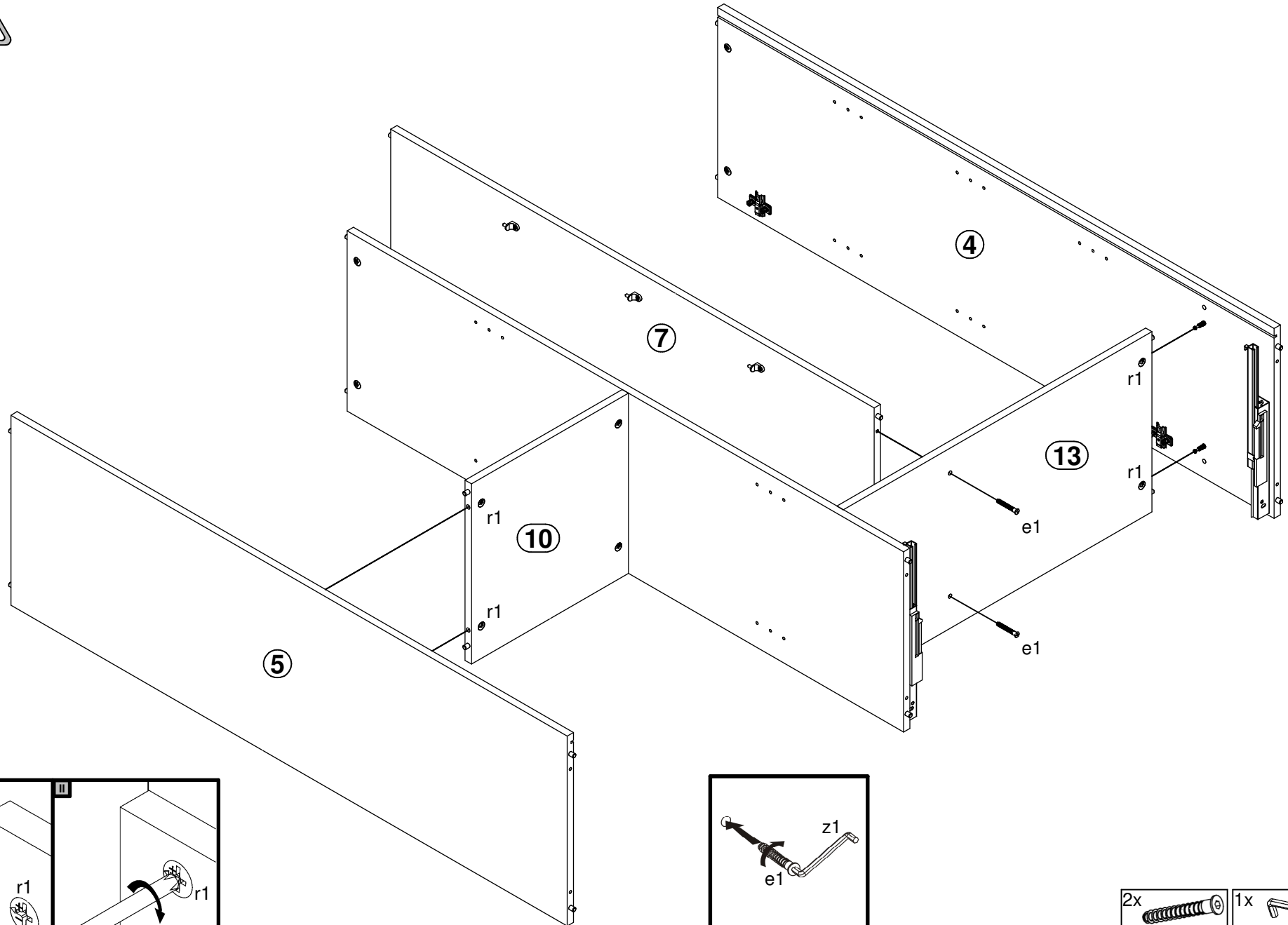
5 





6 

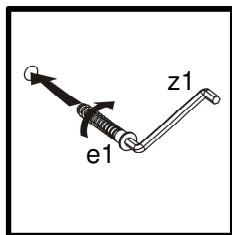
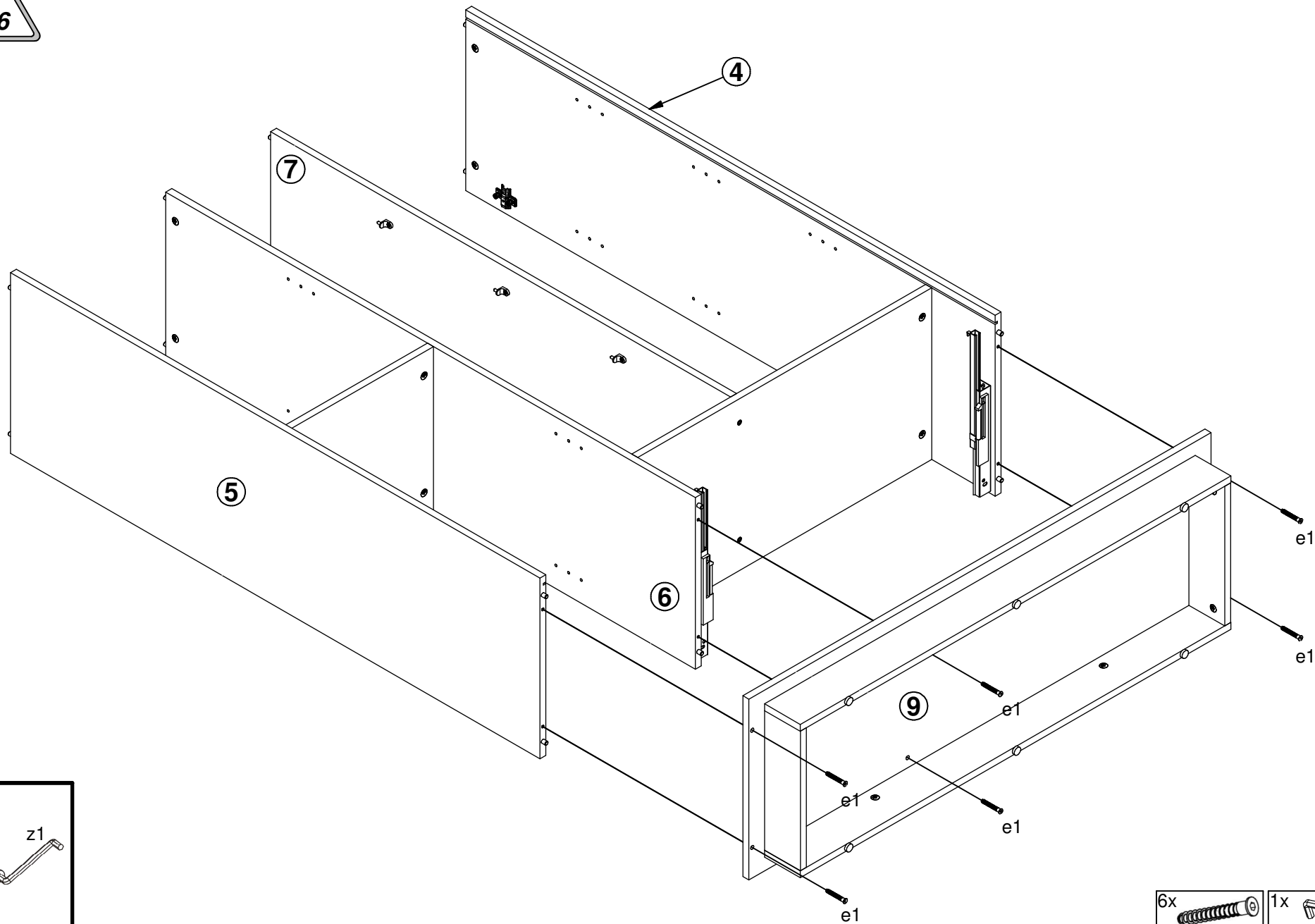




7 



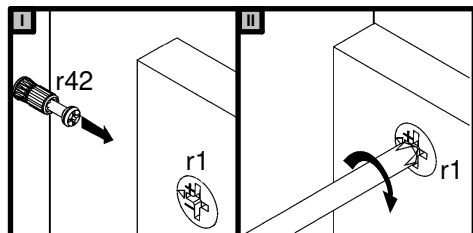
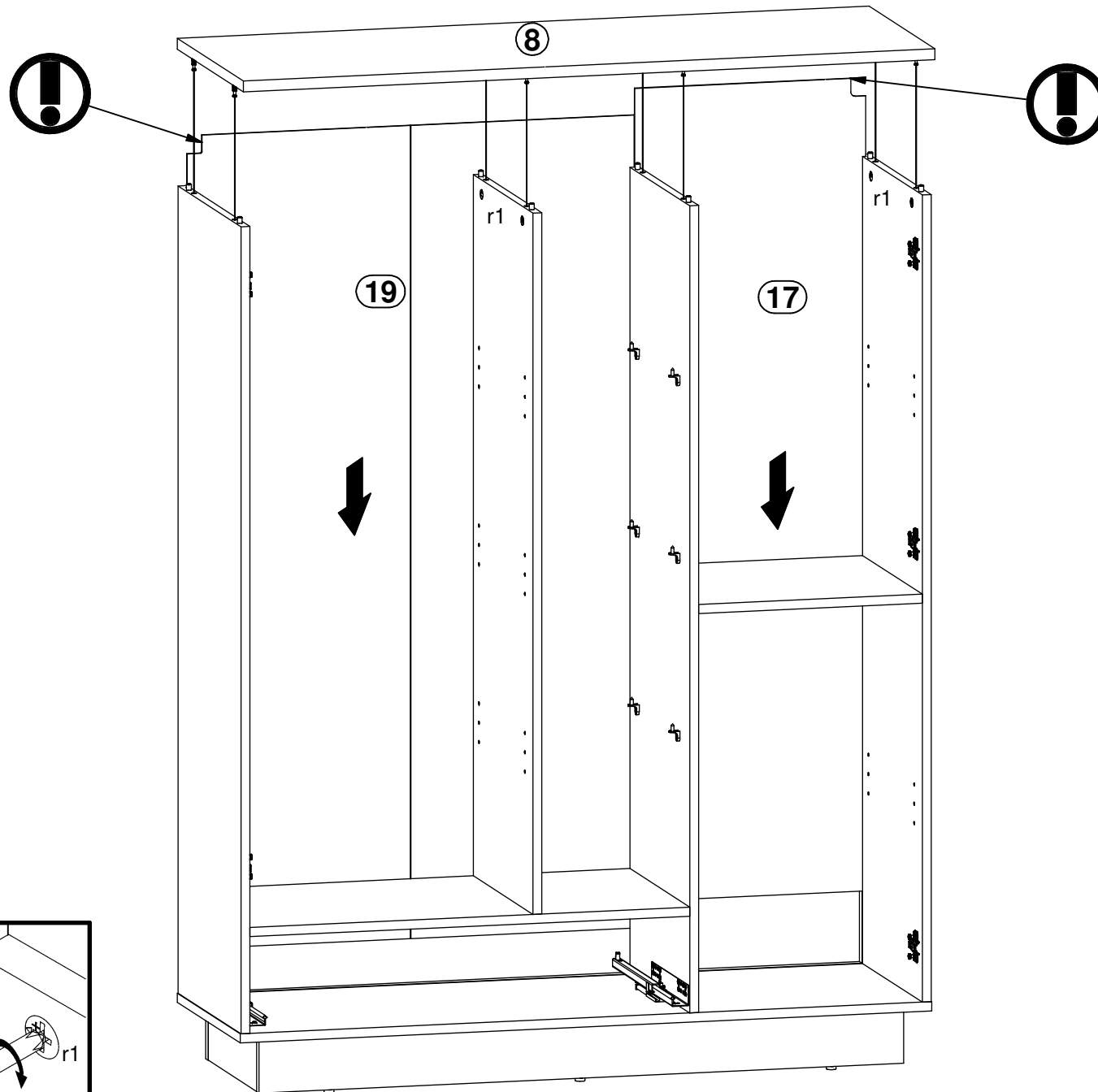
2x		1x	
	Ø7x50 mm		4 mm
	e1		z1

8 

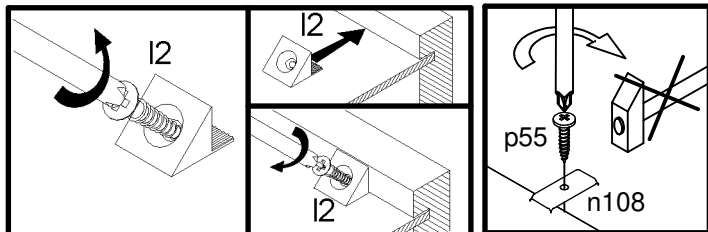
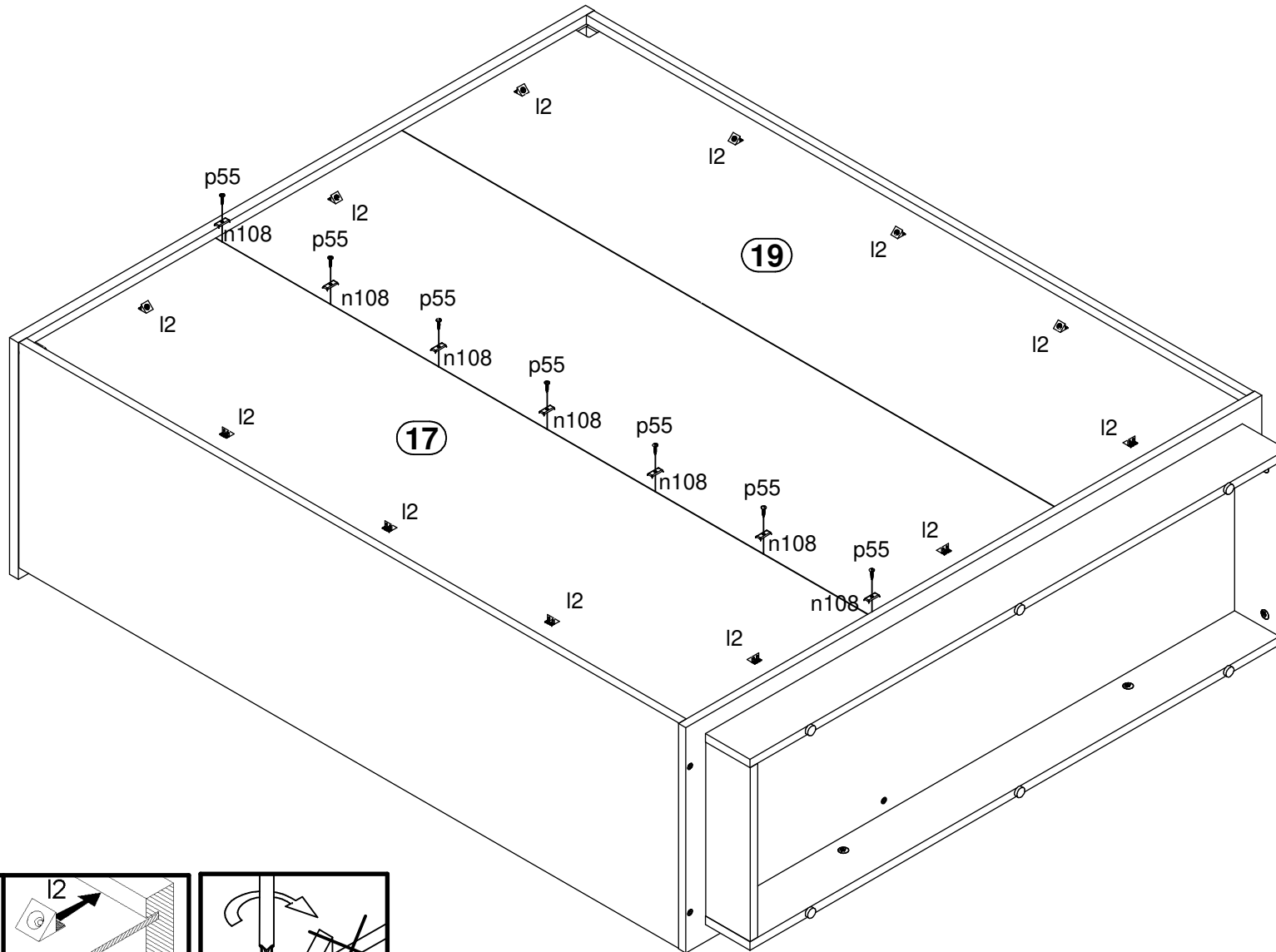
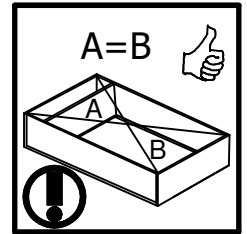


6x		1x	
	Ø7x50 mm	e1	4 mm z1

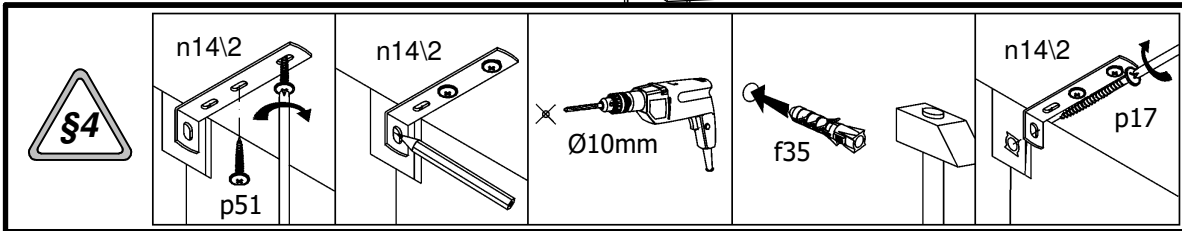
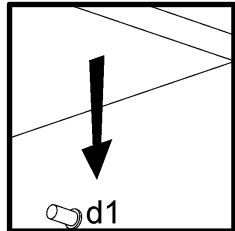
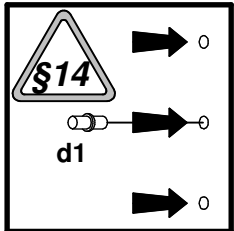
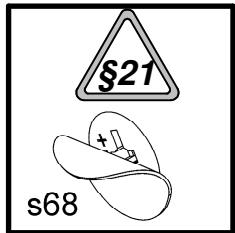
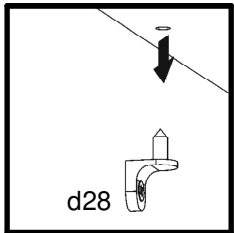
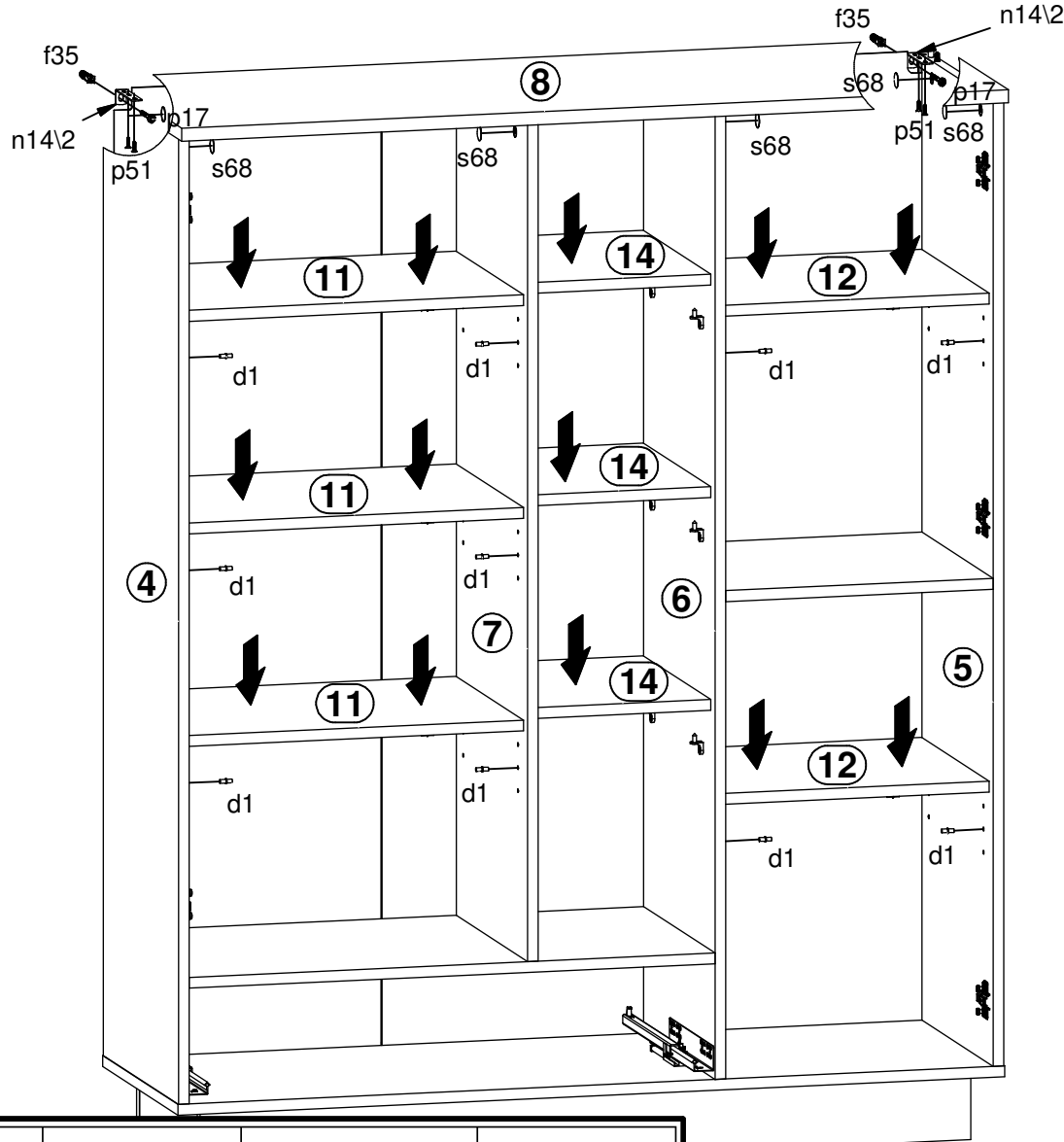
9 



10 

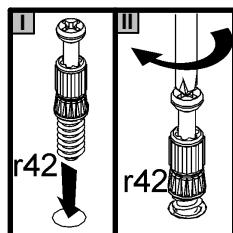
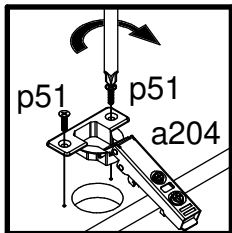
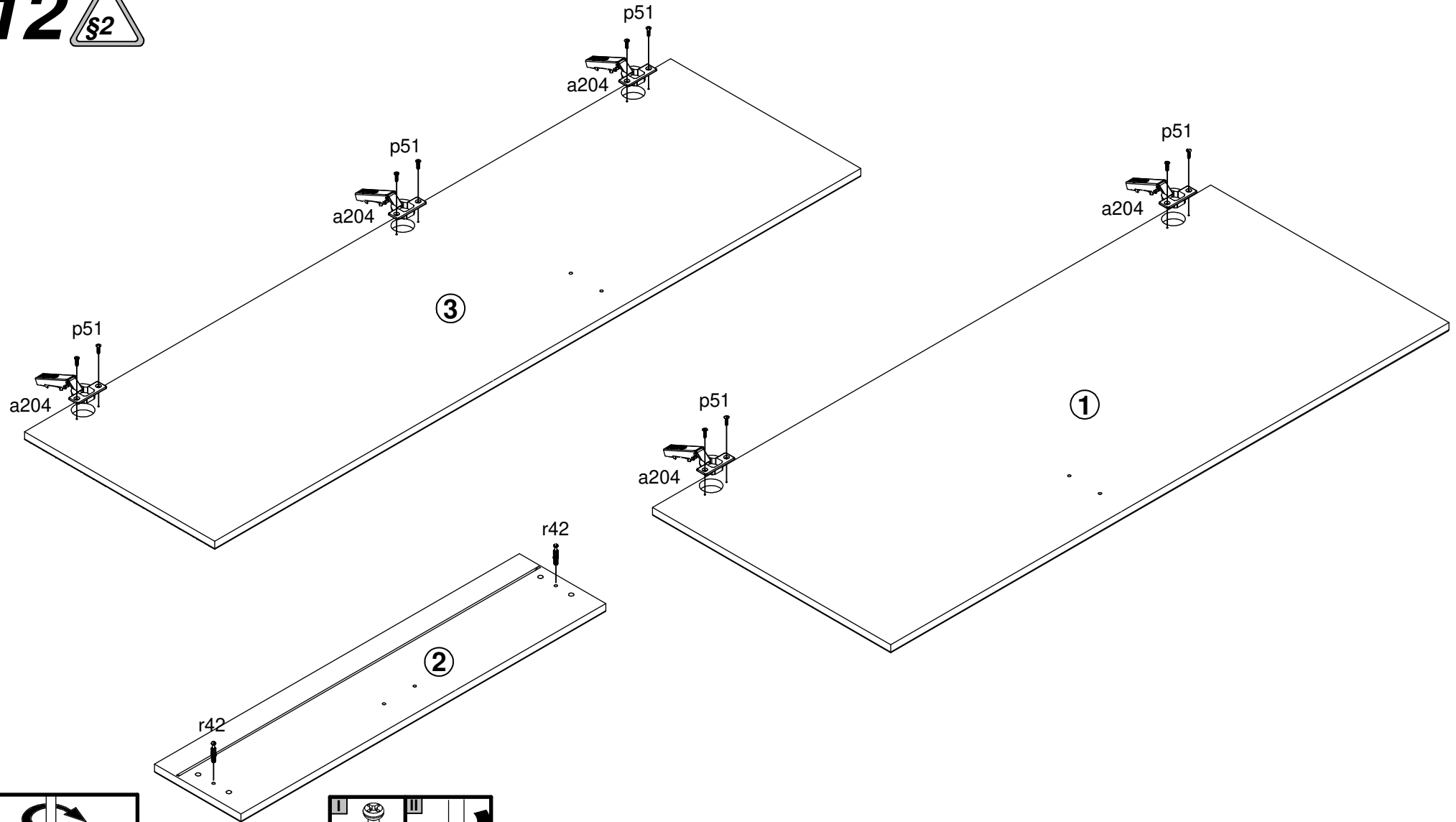


11 



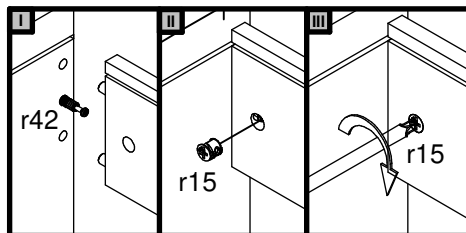
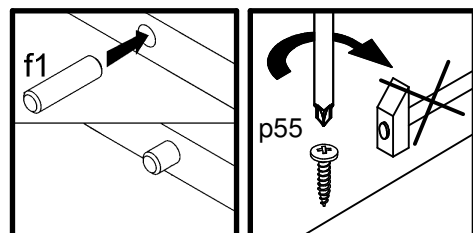
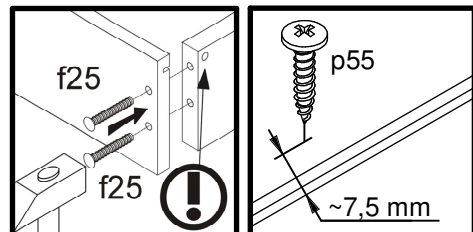
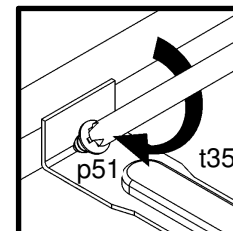
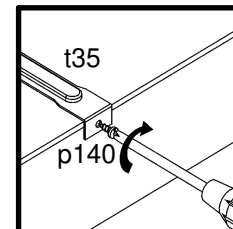
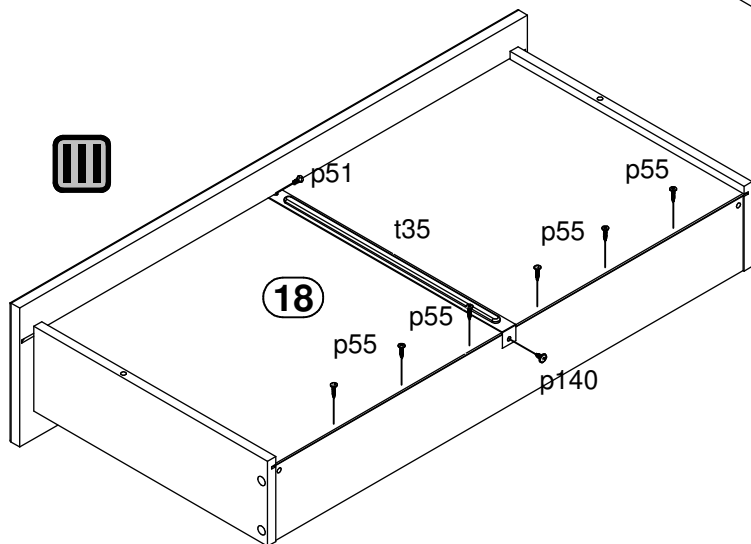
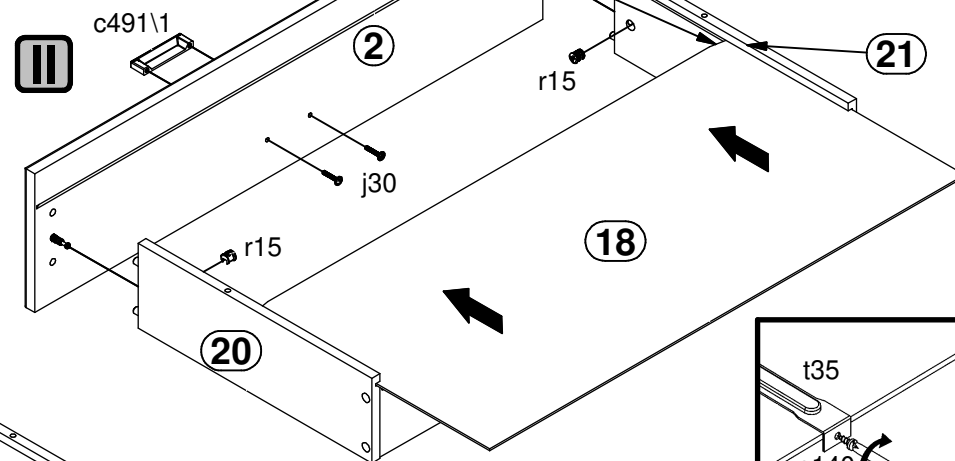
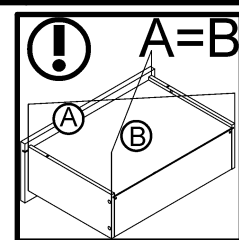
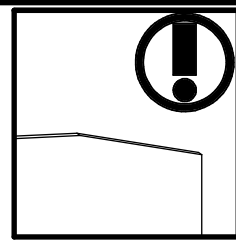
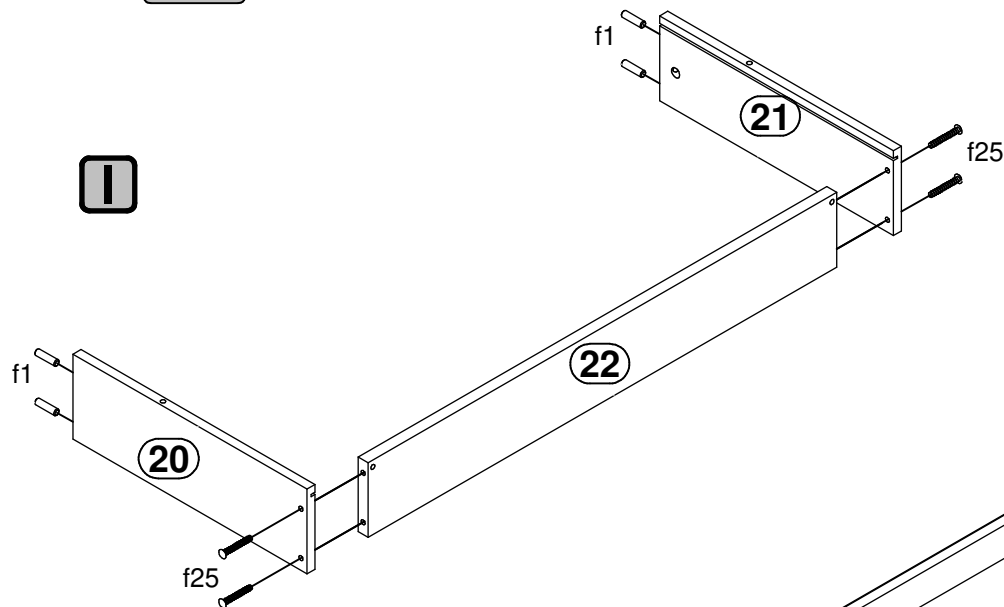
- | | | |
|-----------------------|-------------------------|-----------------------------|
| 20x
Ø5x17 mm
d1 | 2x
Ø10x50 mm
f35 | 2x
86x21x15/1.5
n14/2 |
| 2x
Ø5x60 mm
p17 | 4x
Ø3.5x15 mm
p51 | 8x
Ø20mm
s68 |










12 



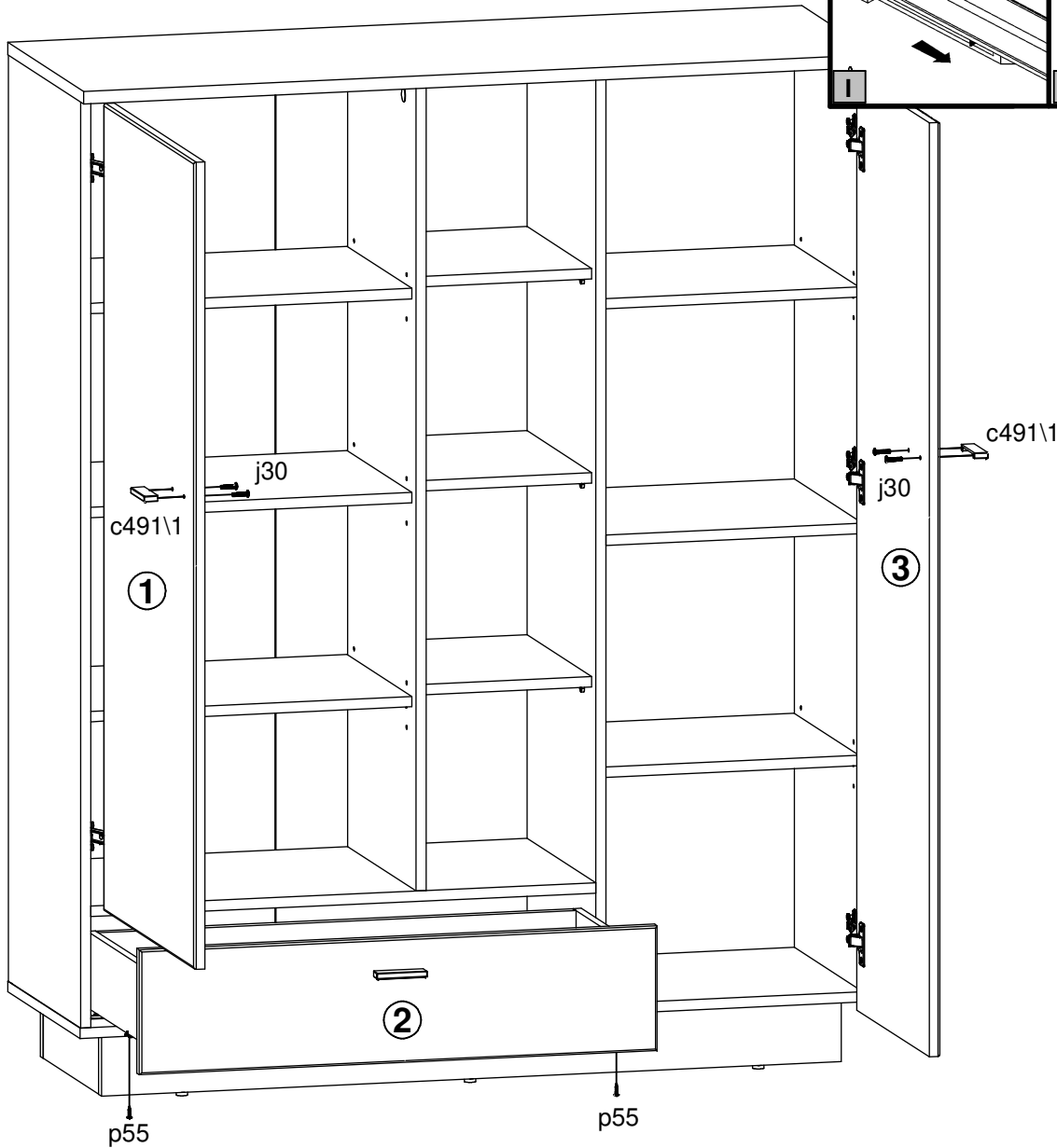
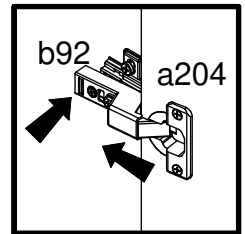
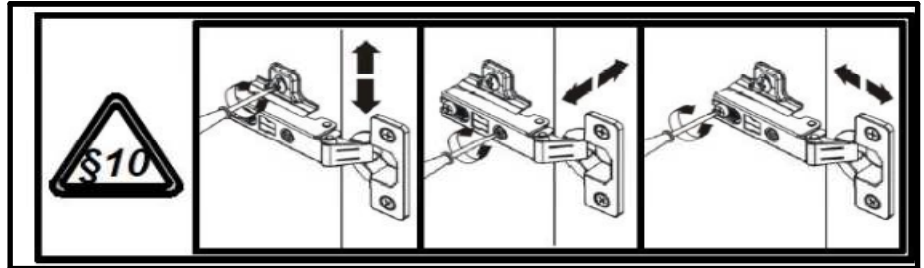
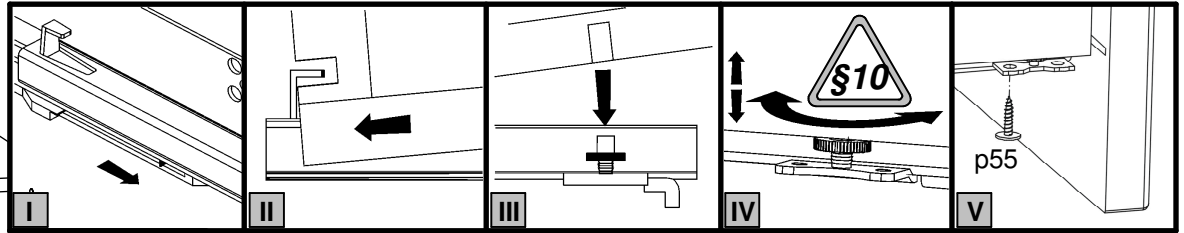
5x  a204	10x  p51	2x  r42
---	---	--

13 



1x  c491\1	4x  Ø8x30 mm f1	4x  Ø6,5x40 mm f25
2x  M4x22 mm j30	1x  Ø3,5x15 mm p51	6x  Ø2,9x16 mm p55
1x  Ø3,5x12 mm p140	2x  Ø12x10,5 mm #12 r15	1x  350 mm t35

14



- 2x c491\1
- 4x j30 M4x22 mm
- 2x p55 Ø2.9x16 mm

15

