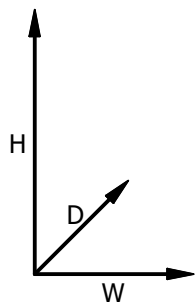
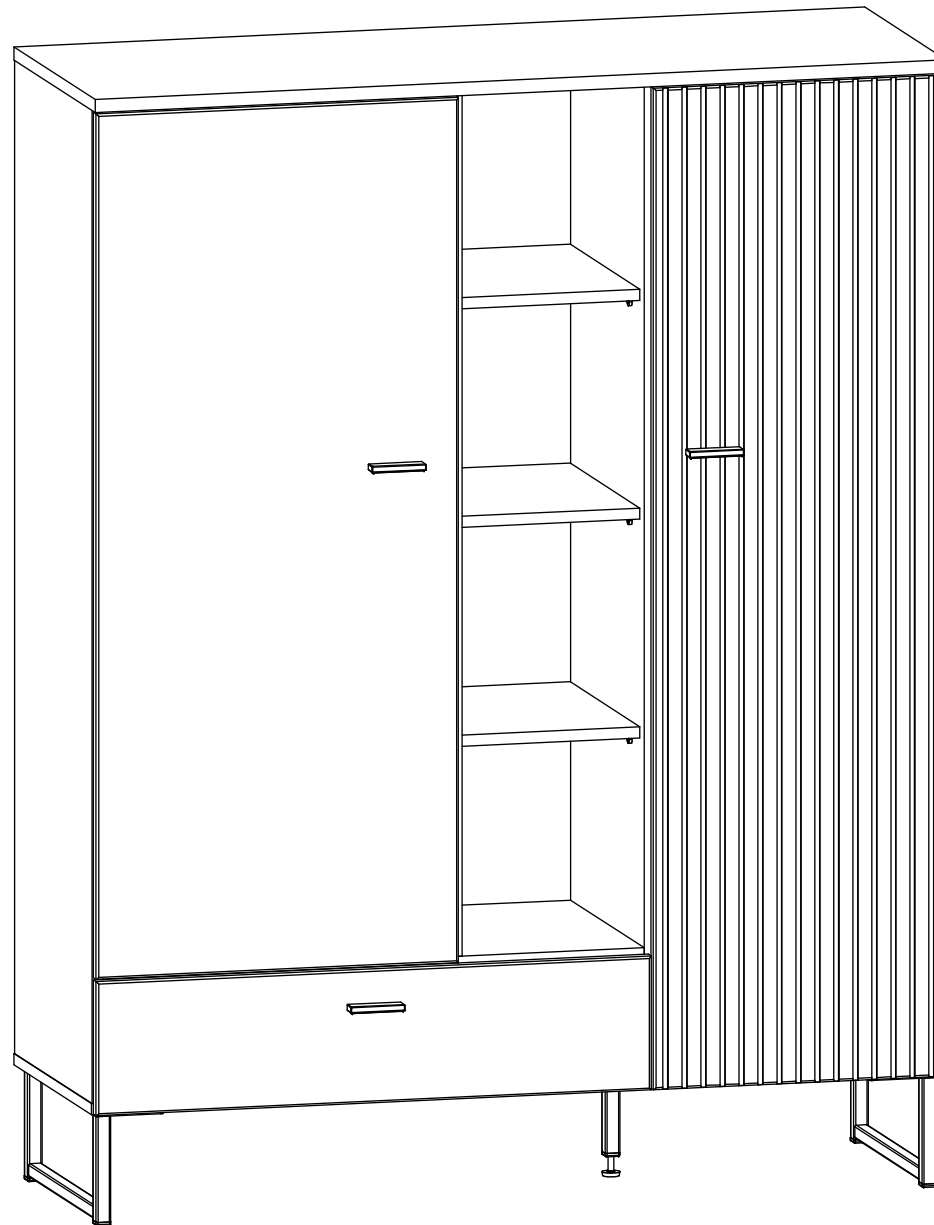
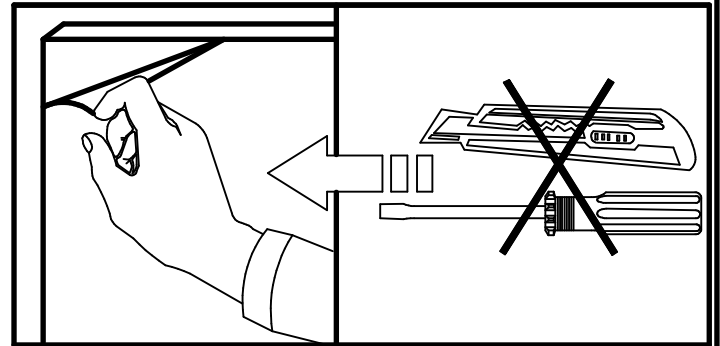
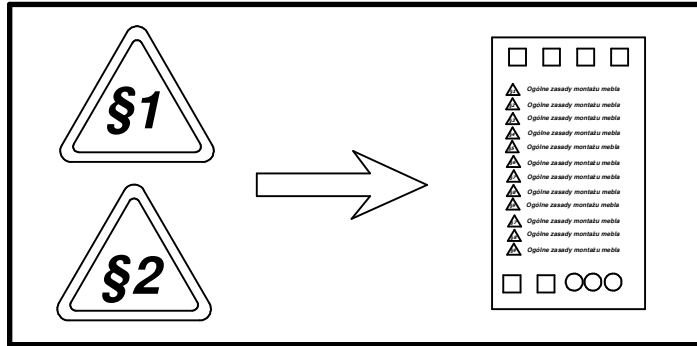
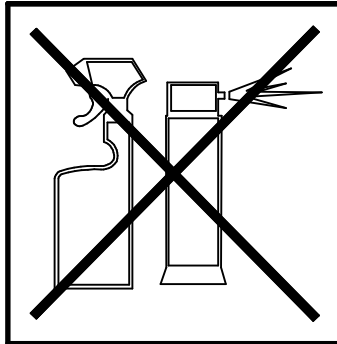
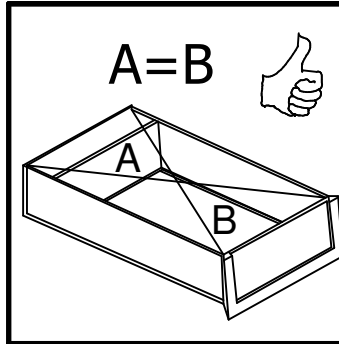
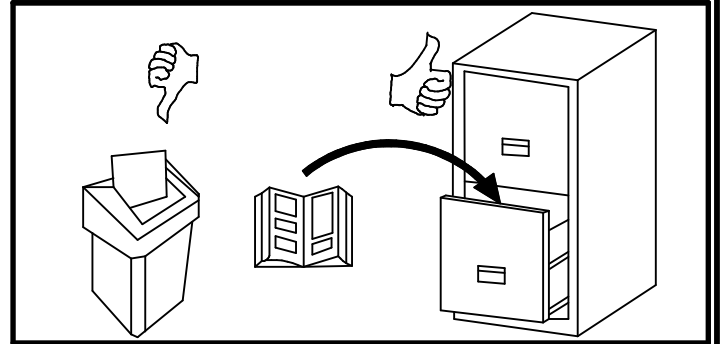
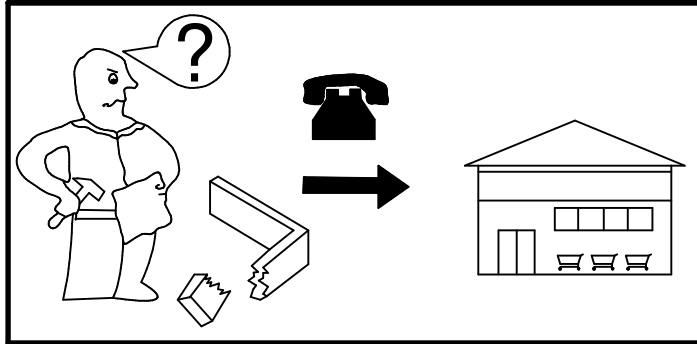
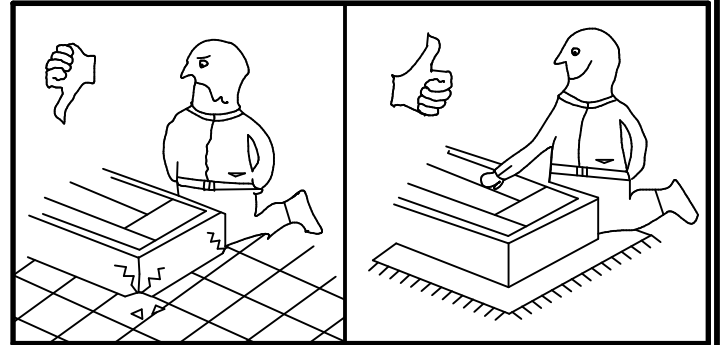
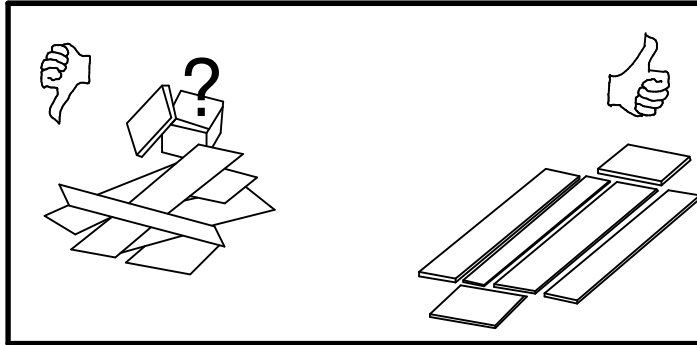
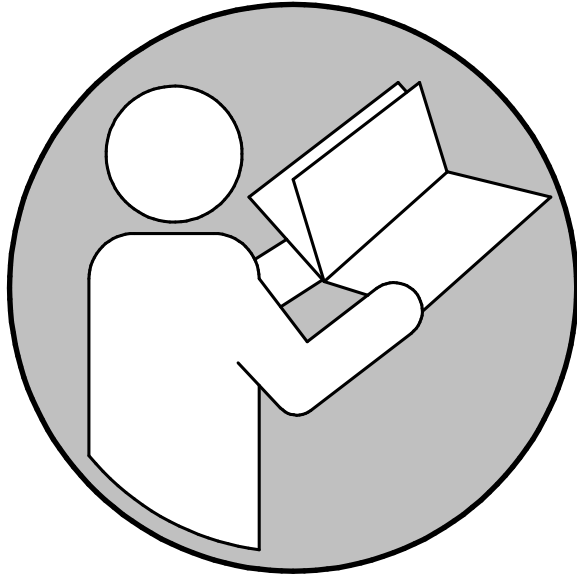


# ZENDA

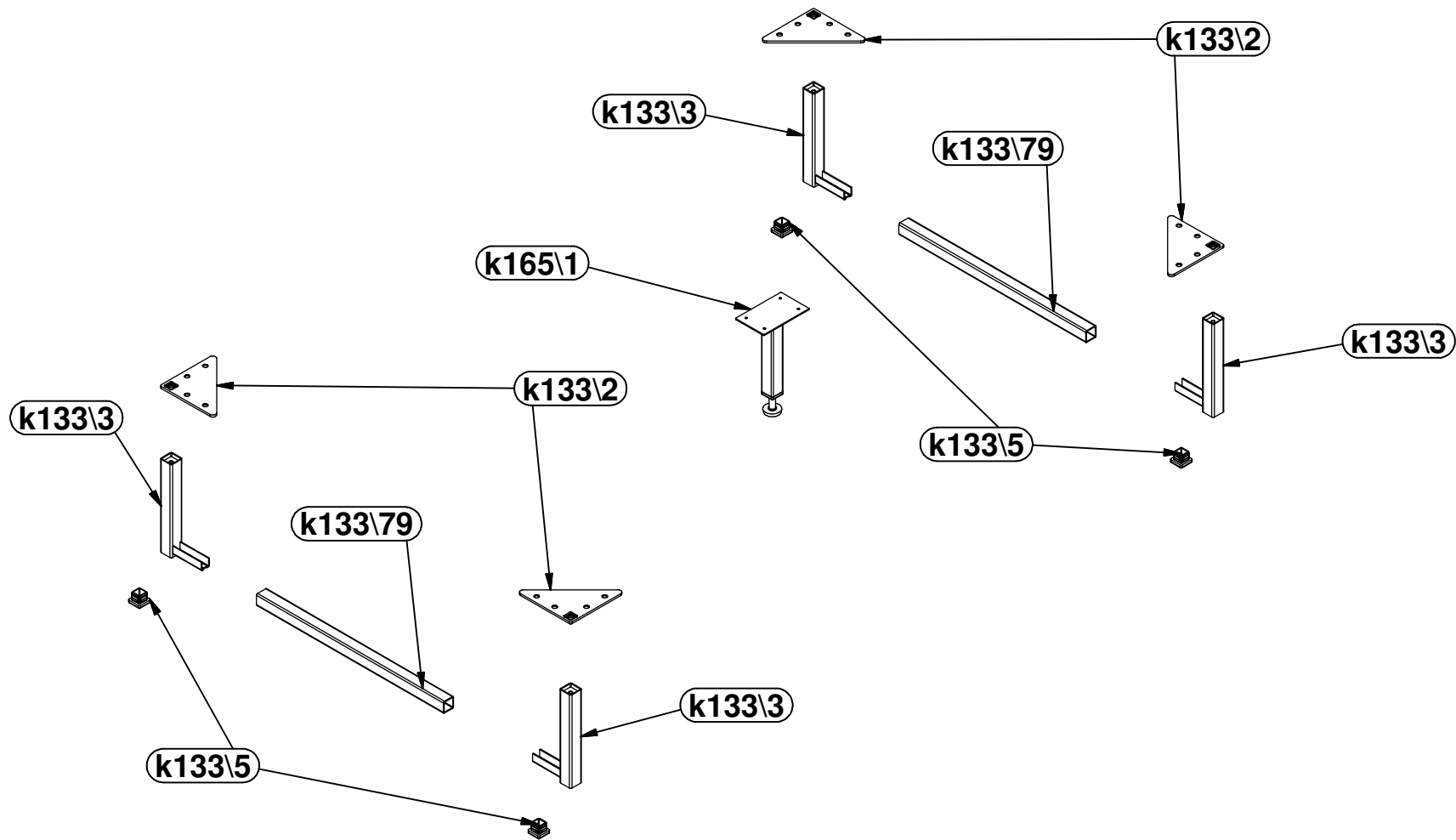
# S617-REG2D1S/U



H - 1518 mm  
W - 1165 mm  
D - 415 mm

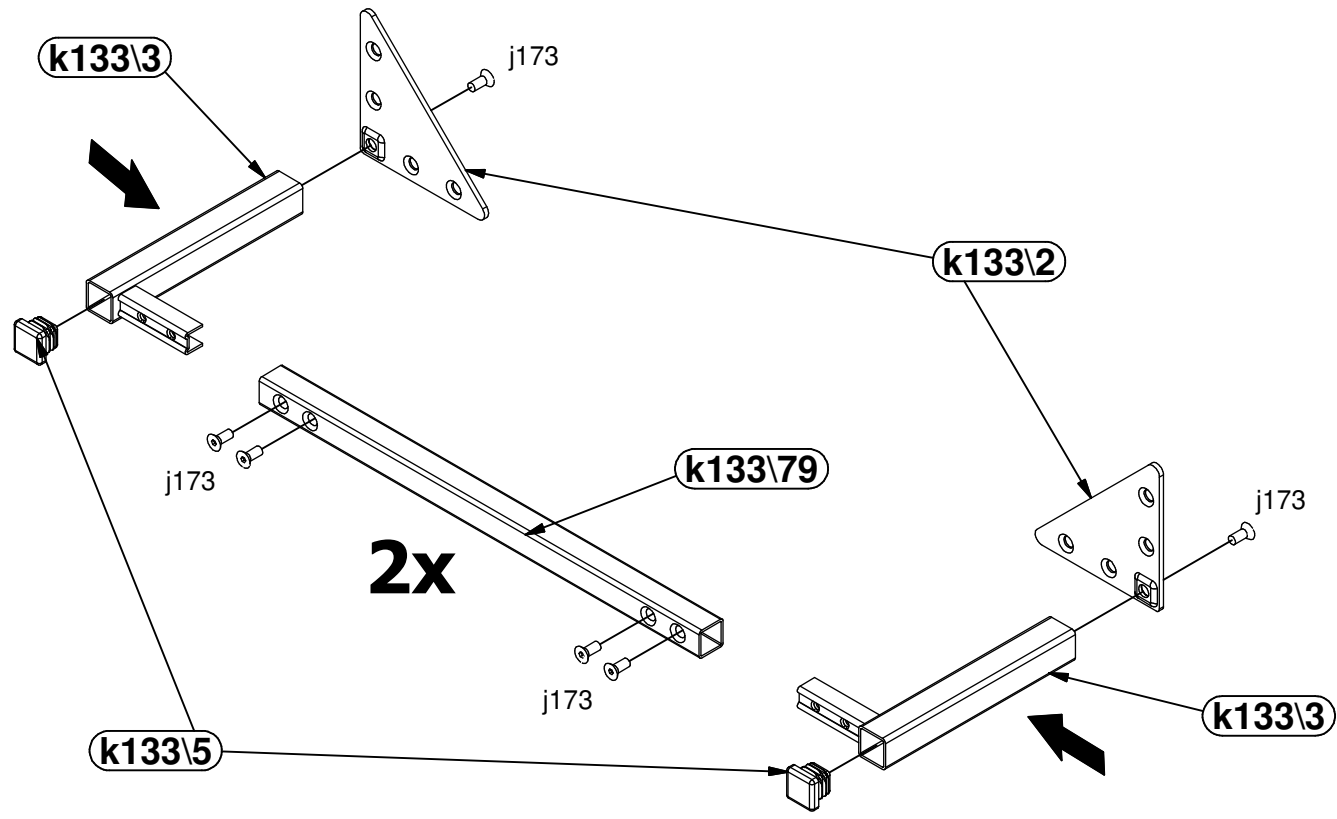







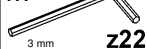
20 min



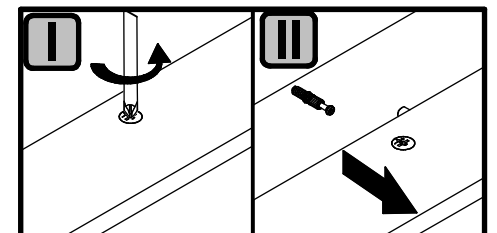
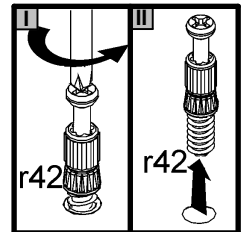
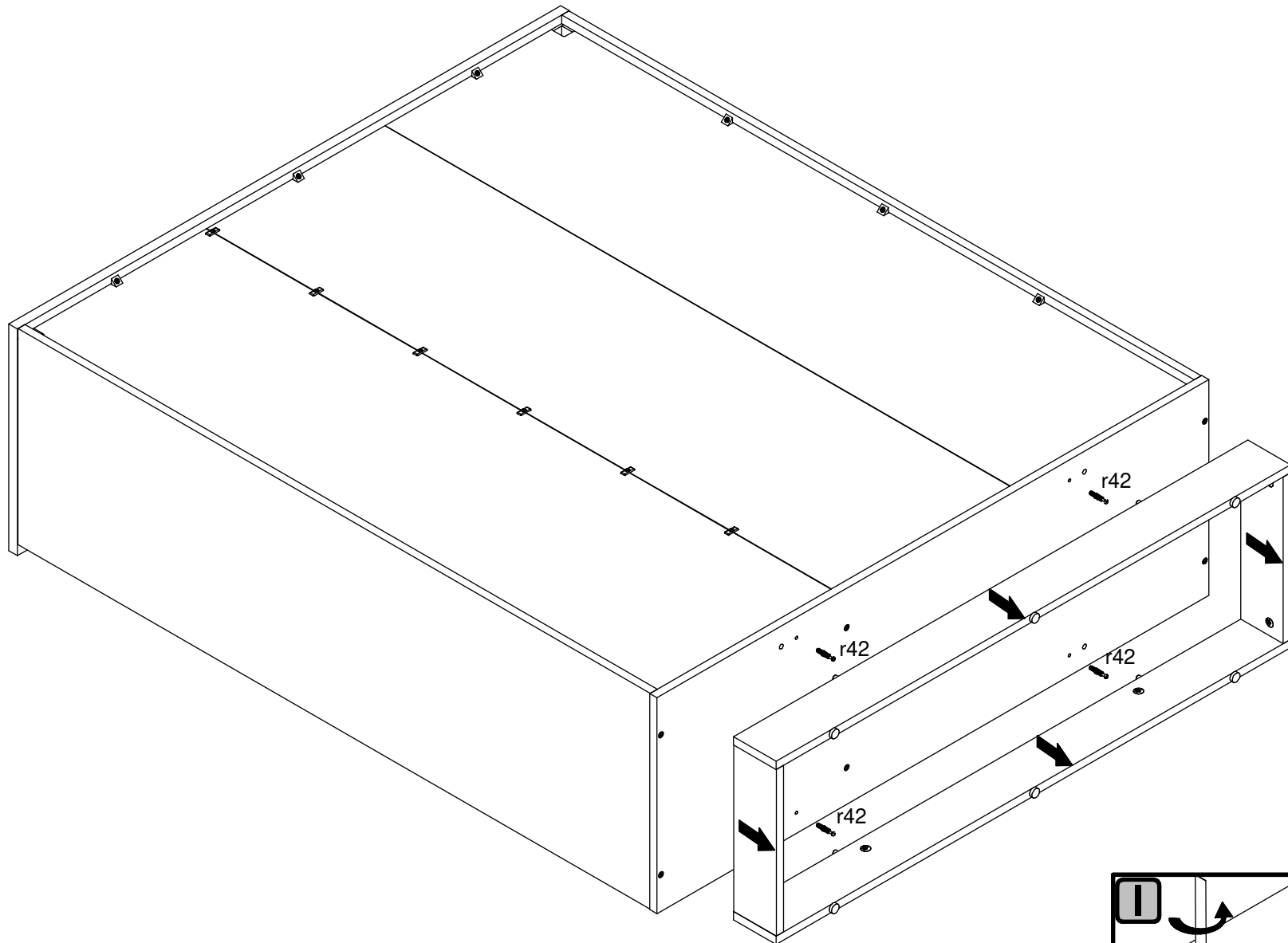
- |                         |              |                       |              |                                   |              |                        |                   |
|-------------------------|--------------|-----------------------|--------------|-----------------------------------|--------------|------------------------|-------------------|
| 12x<br>M5x12 mm<br>j173 | 4x<br>k133\2 | 4x<br>20x20<br>k133\5 | 4x<br>k133\3 | 2x<br>L-329mm<br>18x18<br>k133\79 | 1x<br>k165\1 | 20x<br>Ø4x16 mm<br>p19 | 1x<br>3 mm<br>z22 |
|-------------------------|--------------|-----------------------|--------------|-----------------------------------|--------------|------------------------|-------------------|

**1** 

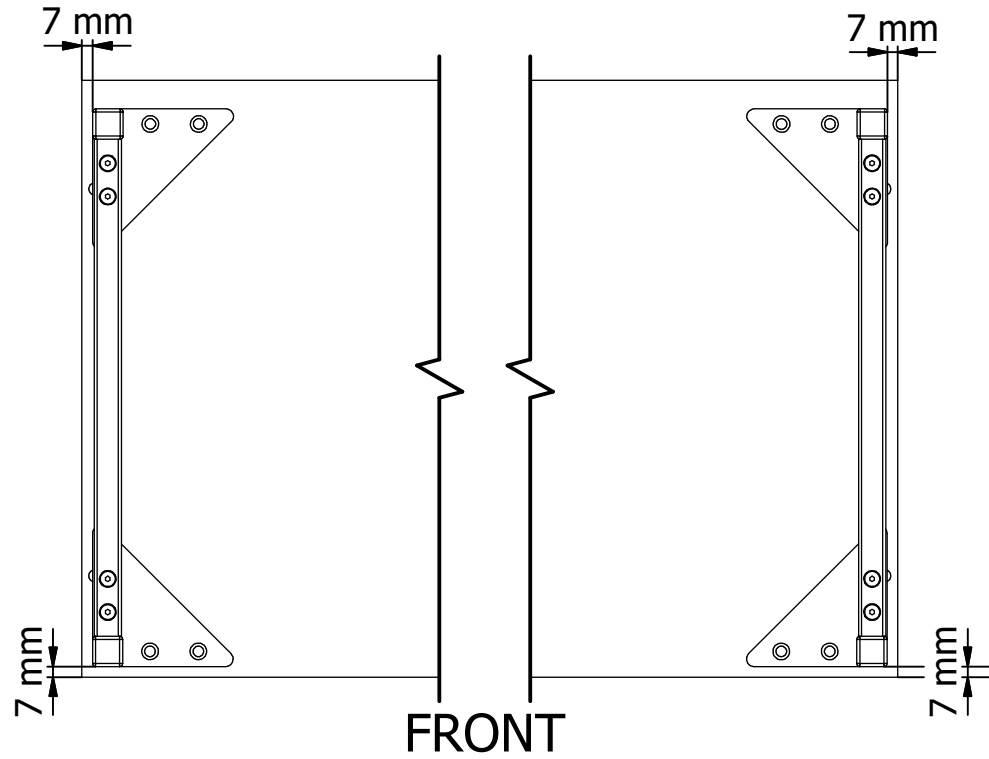


12x  M5x12 mm <b>j173</b>	4x  <b>k133/2</b>	4x  20x20 <b>k133/5</b>	4x  <b>k133/3</b>	2x  L-329mm 18x18 <b>k133/79</b>	1x  3 mm <b>z22</b>
---	--	---	--	---	---

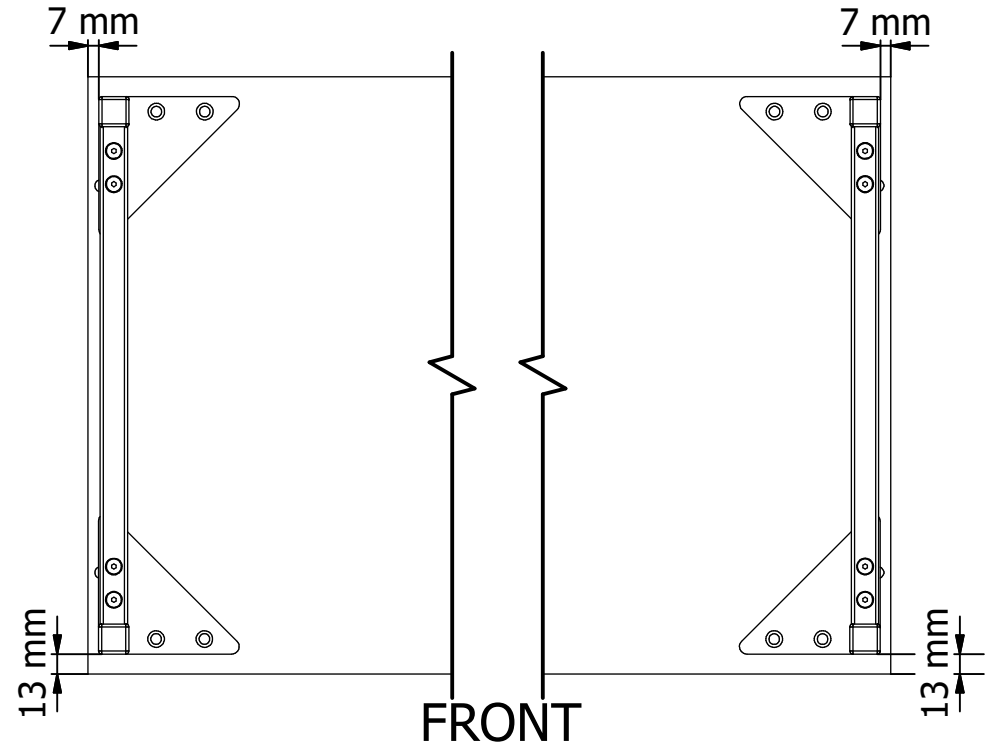
2 



# 3A



# 3B



4 

