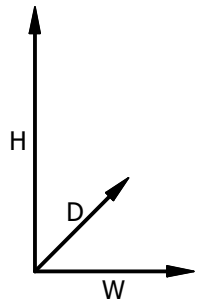
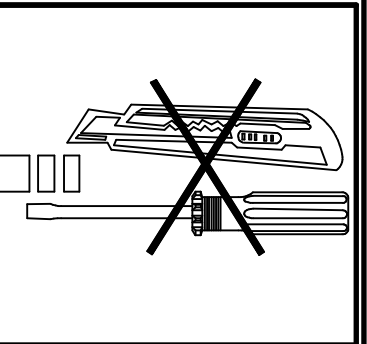
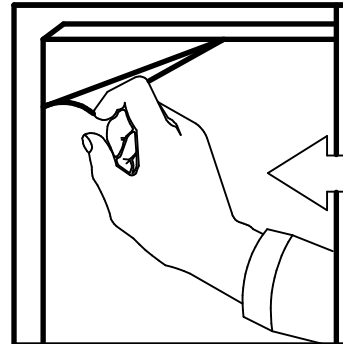
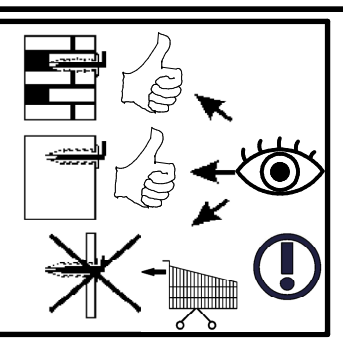
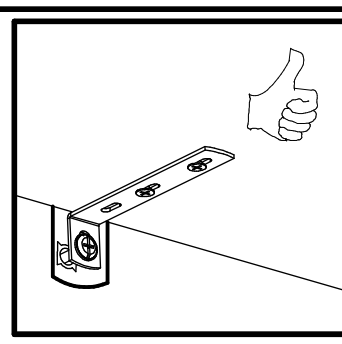
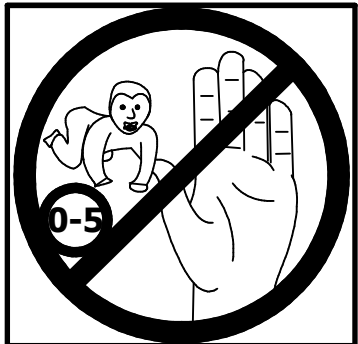
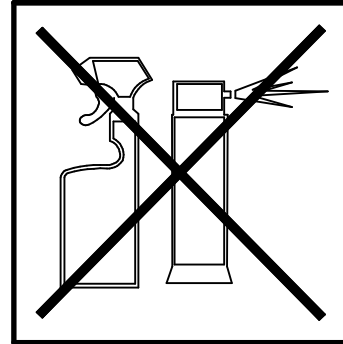
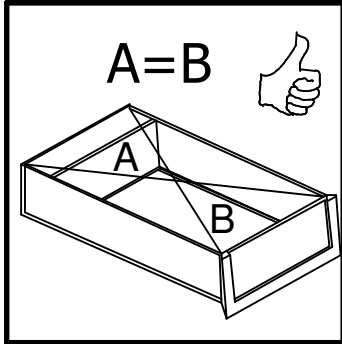
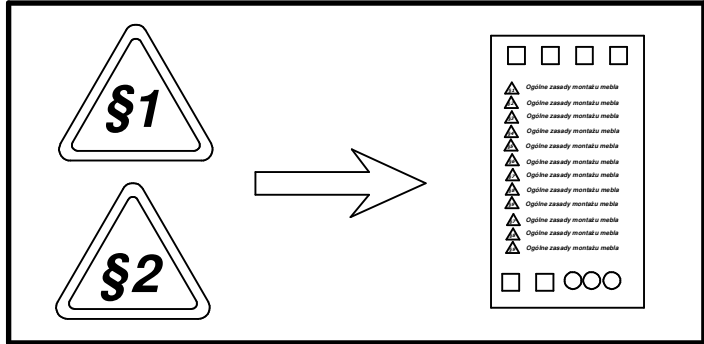
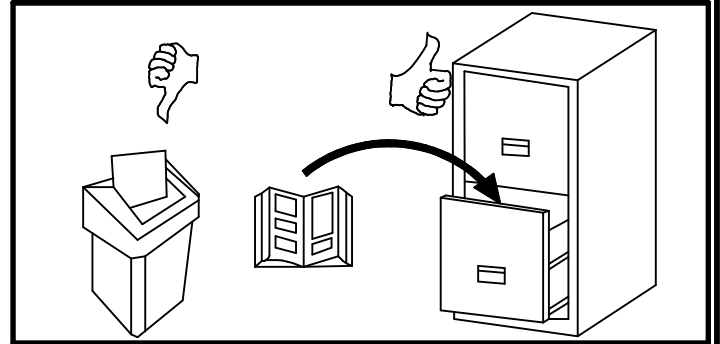
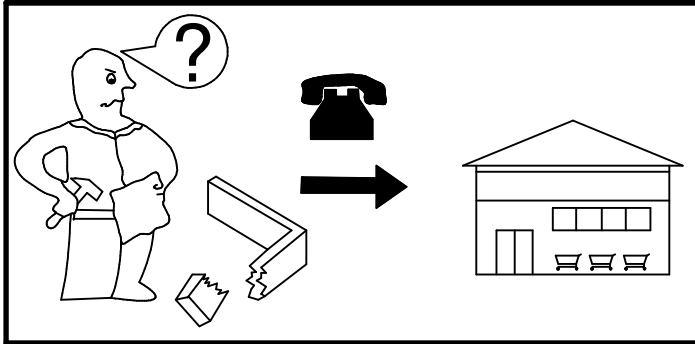
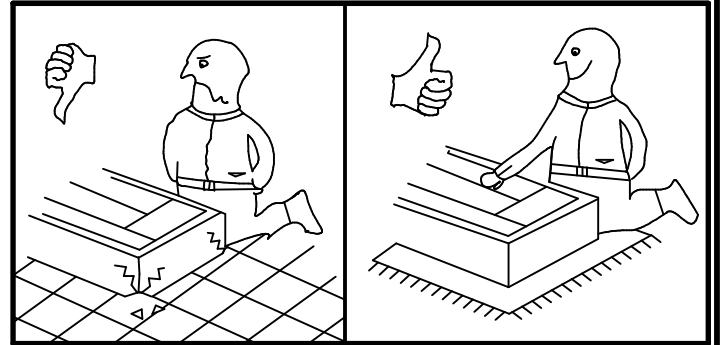
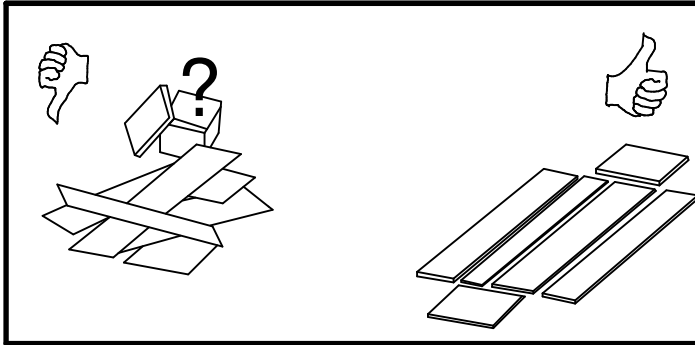
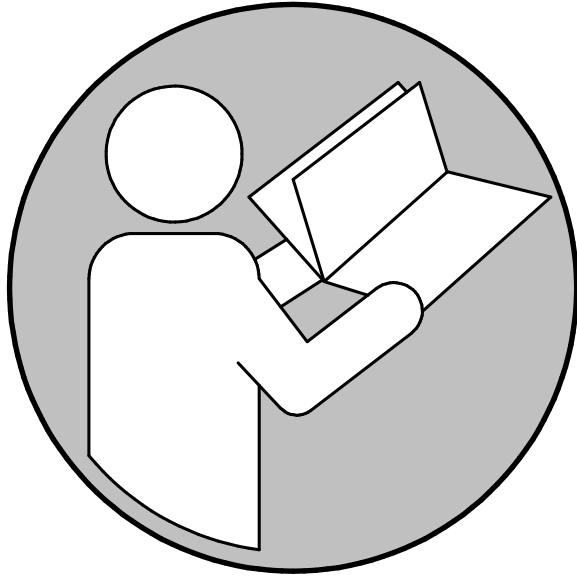


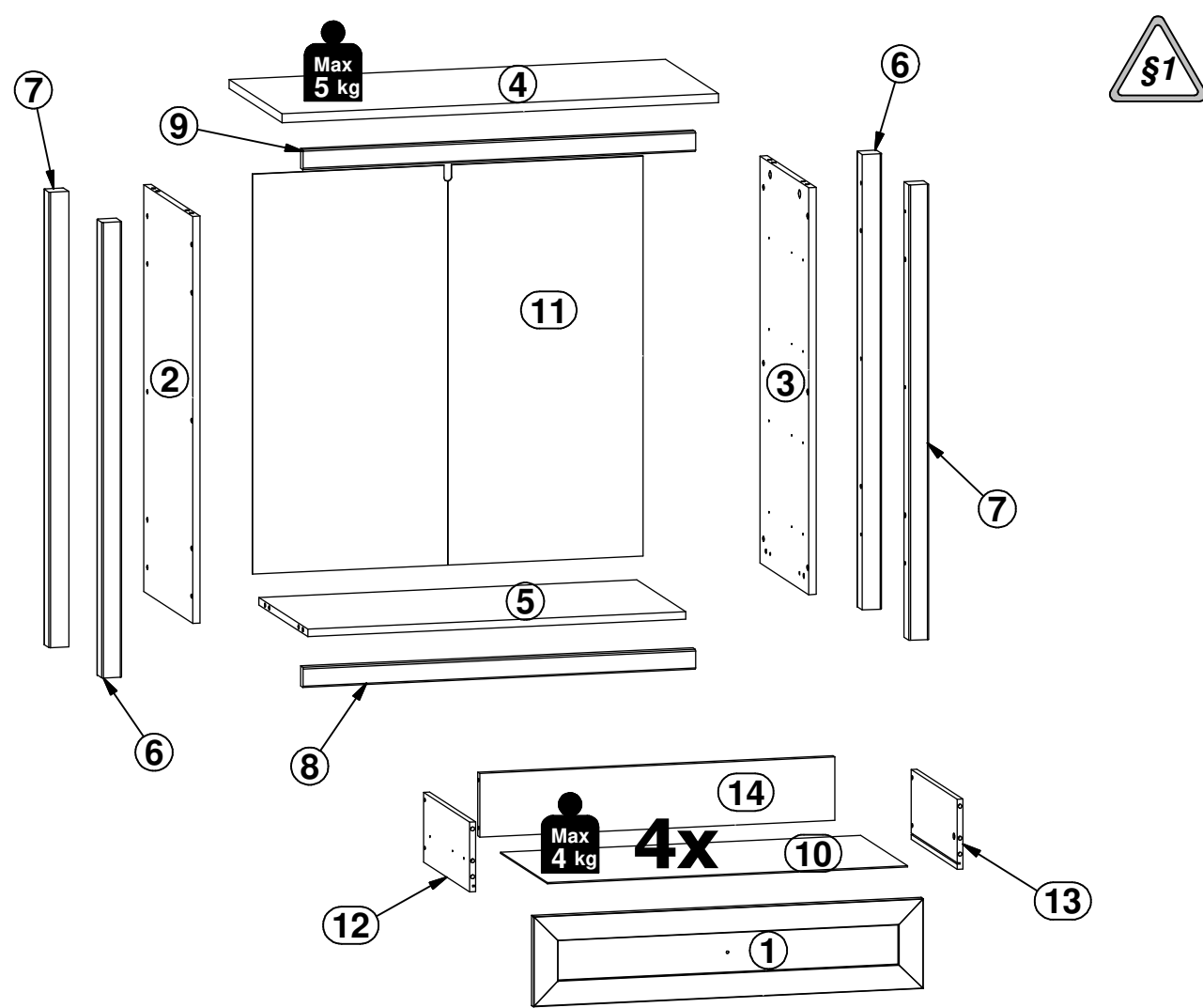
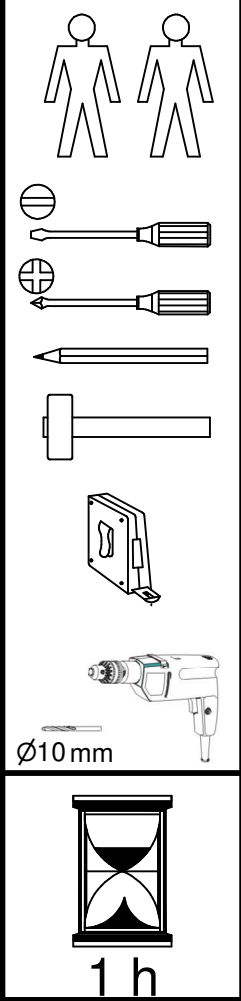
SALGA

S615-KOM4S



H - 935 mm
W - 891 mm
D - 404 mm



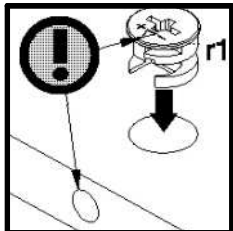
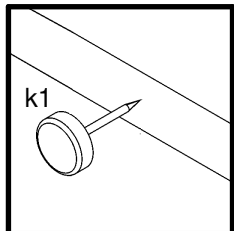
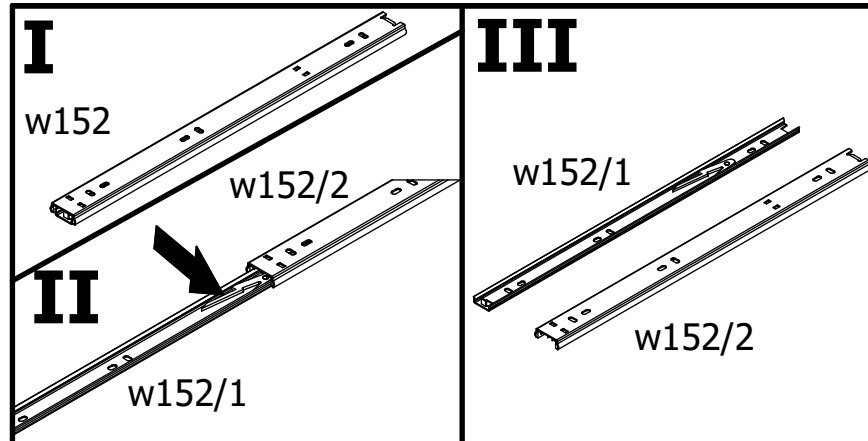
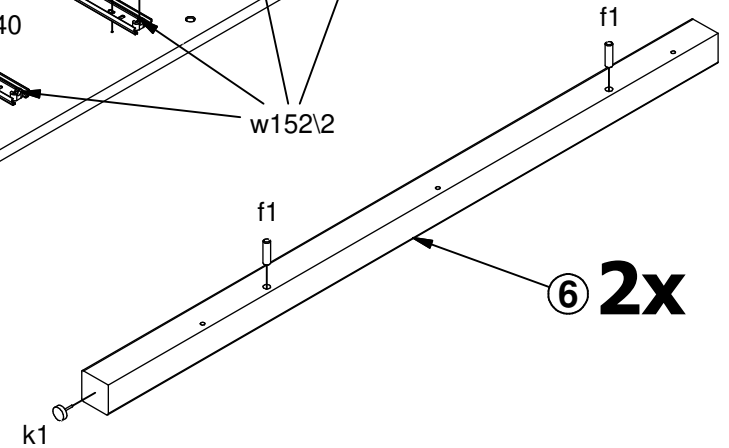
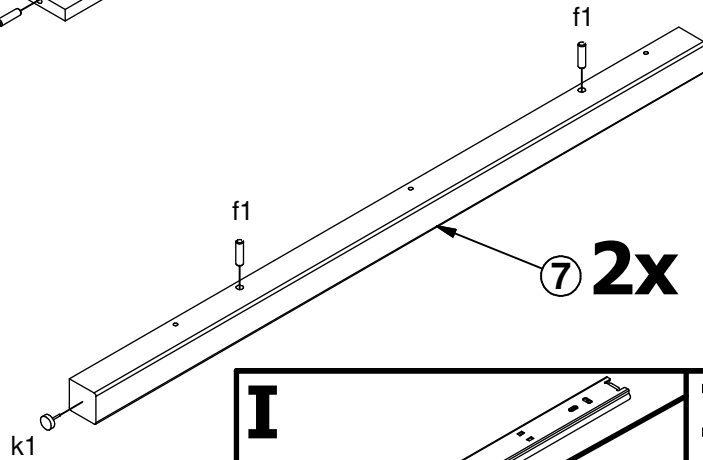
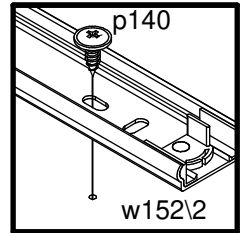
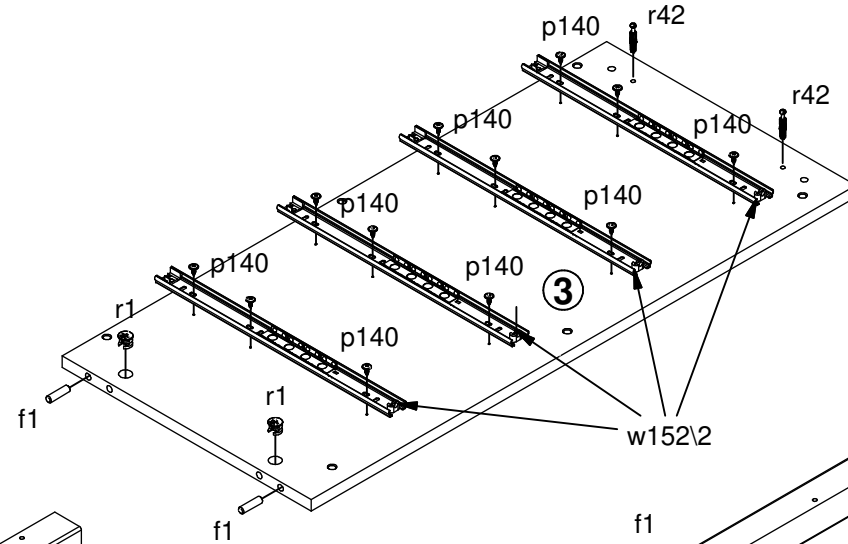
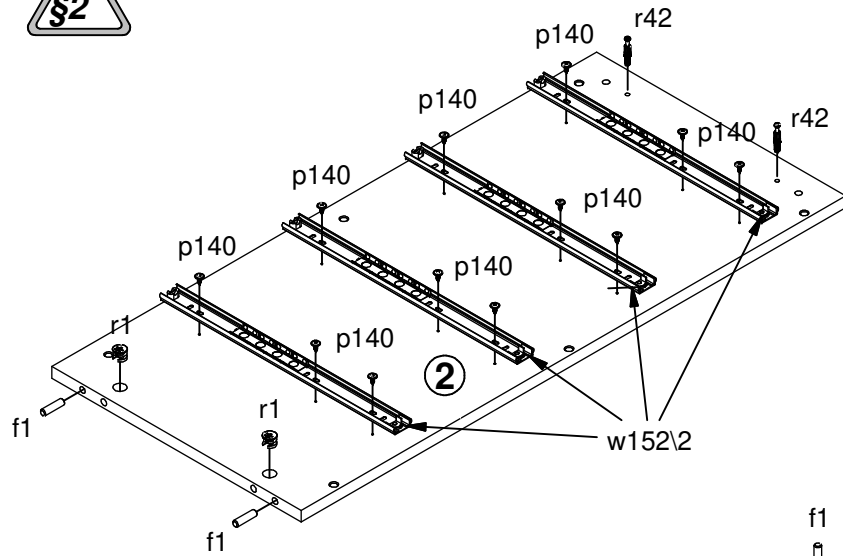


A	B	C (mm)			D
1	S615-0002	795	180	16	1/2
2	S615-1005	815	373	15	2/2
3	S615-1006	815	373	15	2/2
4	S615-2002	891	404	18	2/2
5	S615-3003	771	373	15	2/2
6	S615-5013	912	40	40	1/2
7	S615-5014	912	40	40	1/2
8	S615-5016	801	40	19	1/2
9	S615-5017	801	40	19	1/2
10	S615-9006	735	357	2,5	2/2
11	S615-9301	801	797	2,5	2/2
12	WSK3-5005	350	140	12	2/2
13	WSK3-5006	350	140	12	2/2
14	STK-5003	725	127	12	2/2



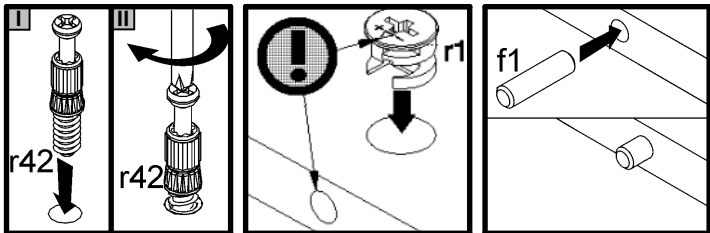
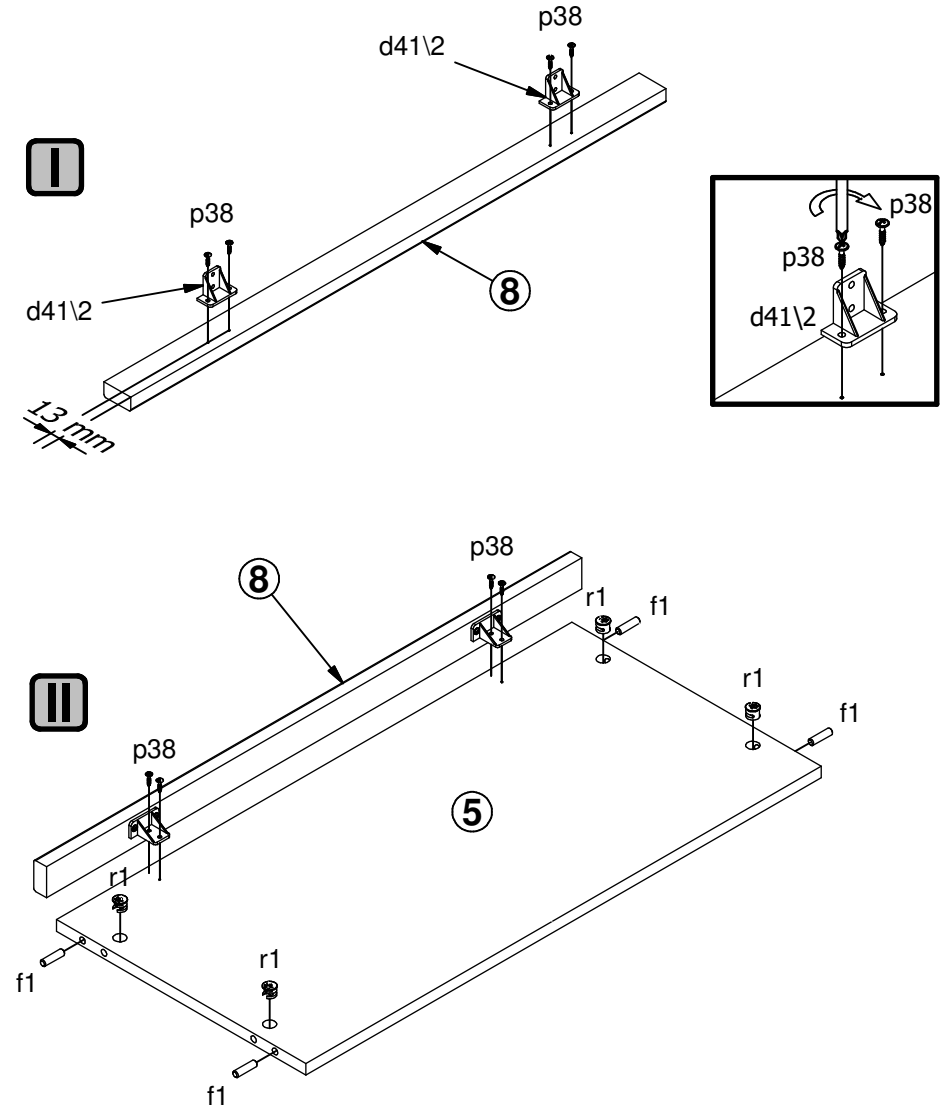
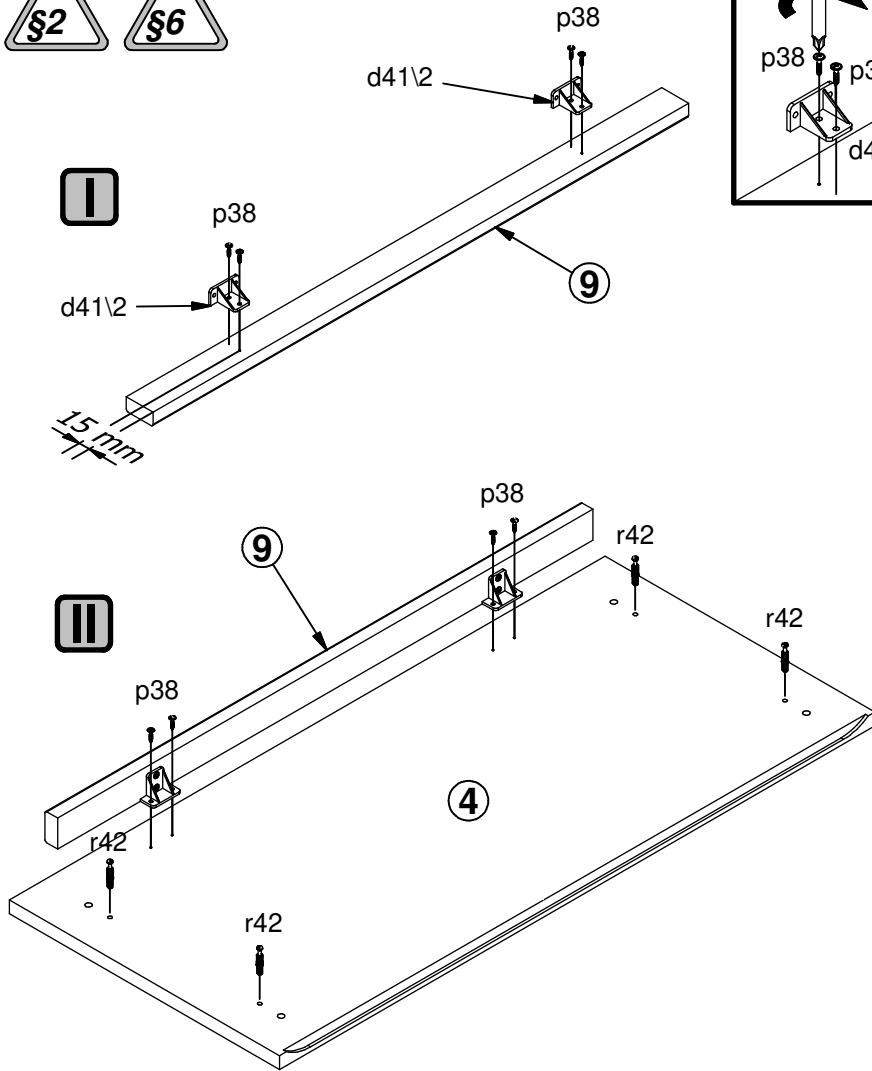
4x c601	4x d412	12x e11 Ø7x40 mm	32x f1 Ø8x30 mm	cm 0 1 2 3 4 5 6 7 8 9 10	16x f25 Ø6,5x40 mm	1x f35 Ø10x50 mm	4x j125 M4x7 mm	D 2/2				
4x k1	35x l1 1,4x20 mm	1x n142 86x21x151,5	8x o21 silikon	1x p17 Ø5x60 mm	52x p140 Ø3,5x12 mm	4x p51 Ø3,5x15 mm	42x p38 Ø3,5x16 mm	8x r1 Ø15x12 mm #16	8x r15 Ø12x10,5 mm #12	16x r42 20/11	4x t35 350 mm	8x w1521 350/580 mm
8x w1522 350/580 mm	1x z1 4 mm											

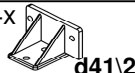
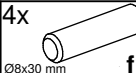

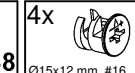

1 



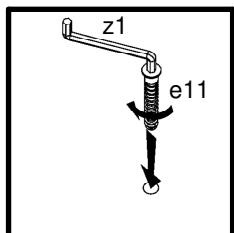
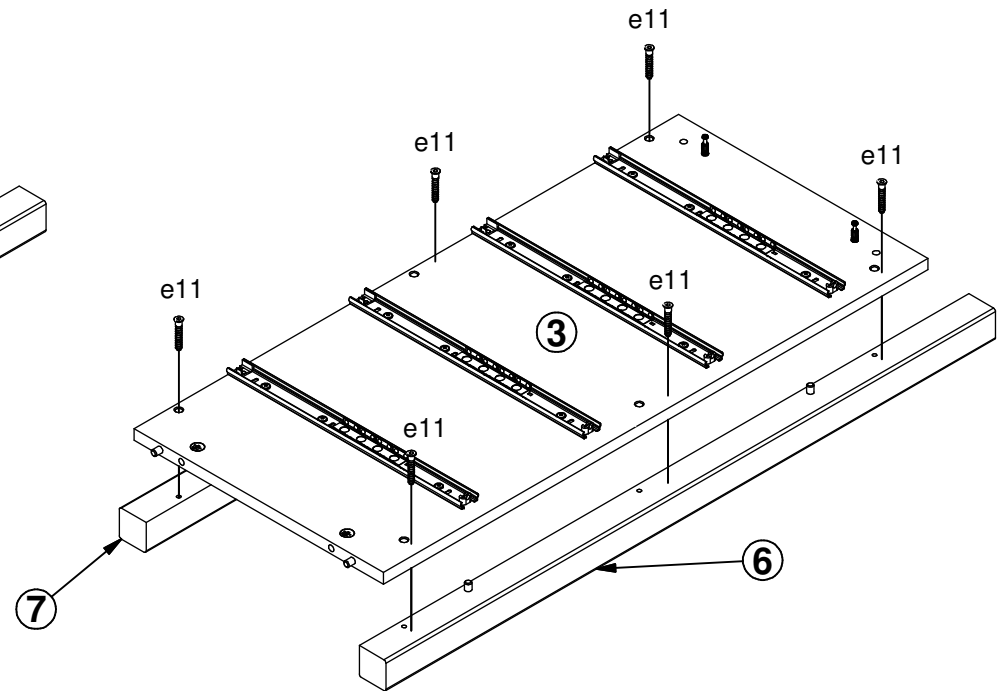
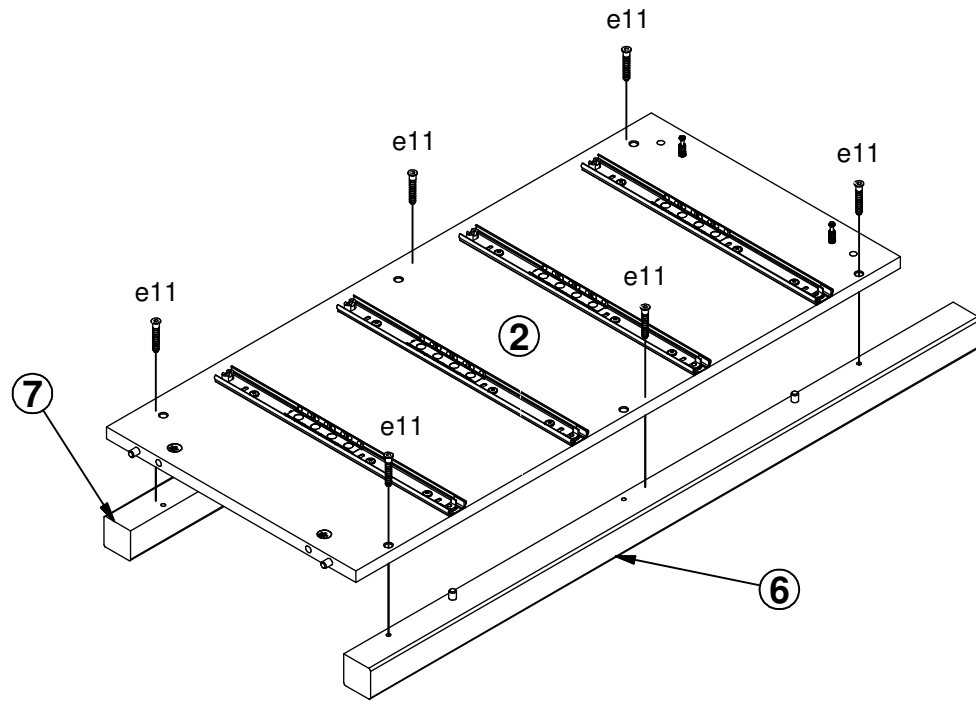
12x Ø8x30 mm f1	4x k1	24x Ø3.5x12 mm p140
4x Ø15x12 mm #16 r1	4x r42	8x 350x580 mm w152/2

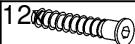

2  



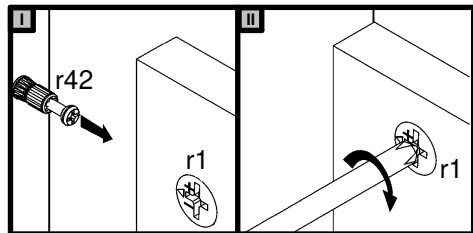
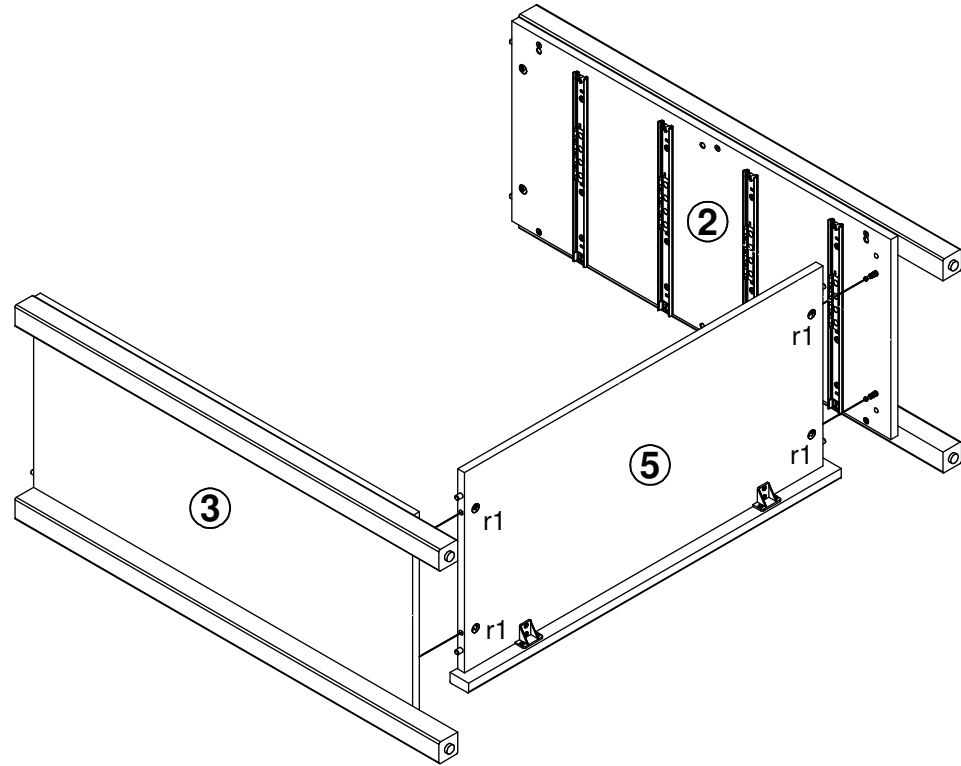
- 4x  d41/2
- 4x  f1
- 16x  p38
- 4x  r1
- 4x  r42

3 

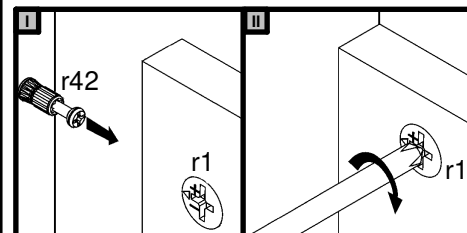
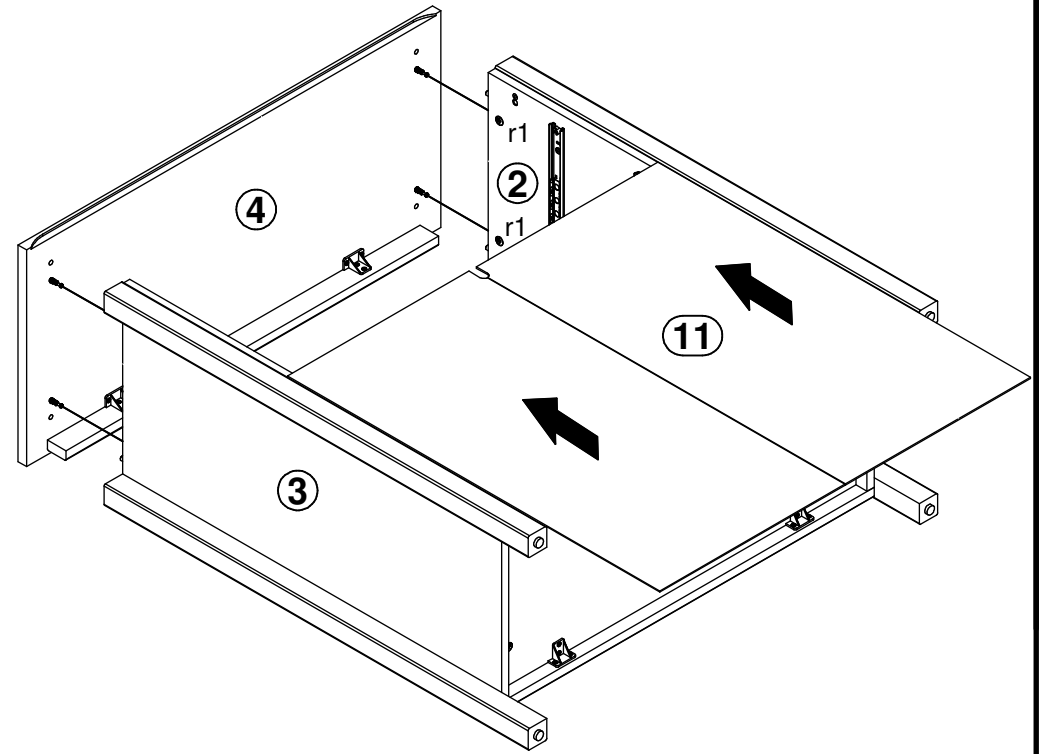


12		1x	
	Ø7x40 mm		4 mm
	e11		z1

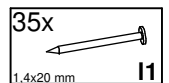
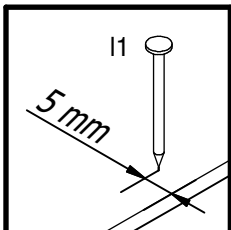
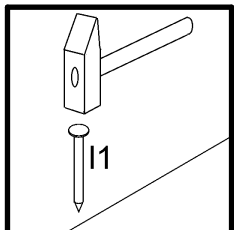
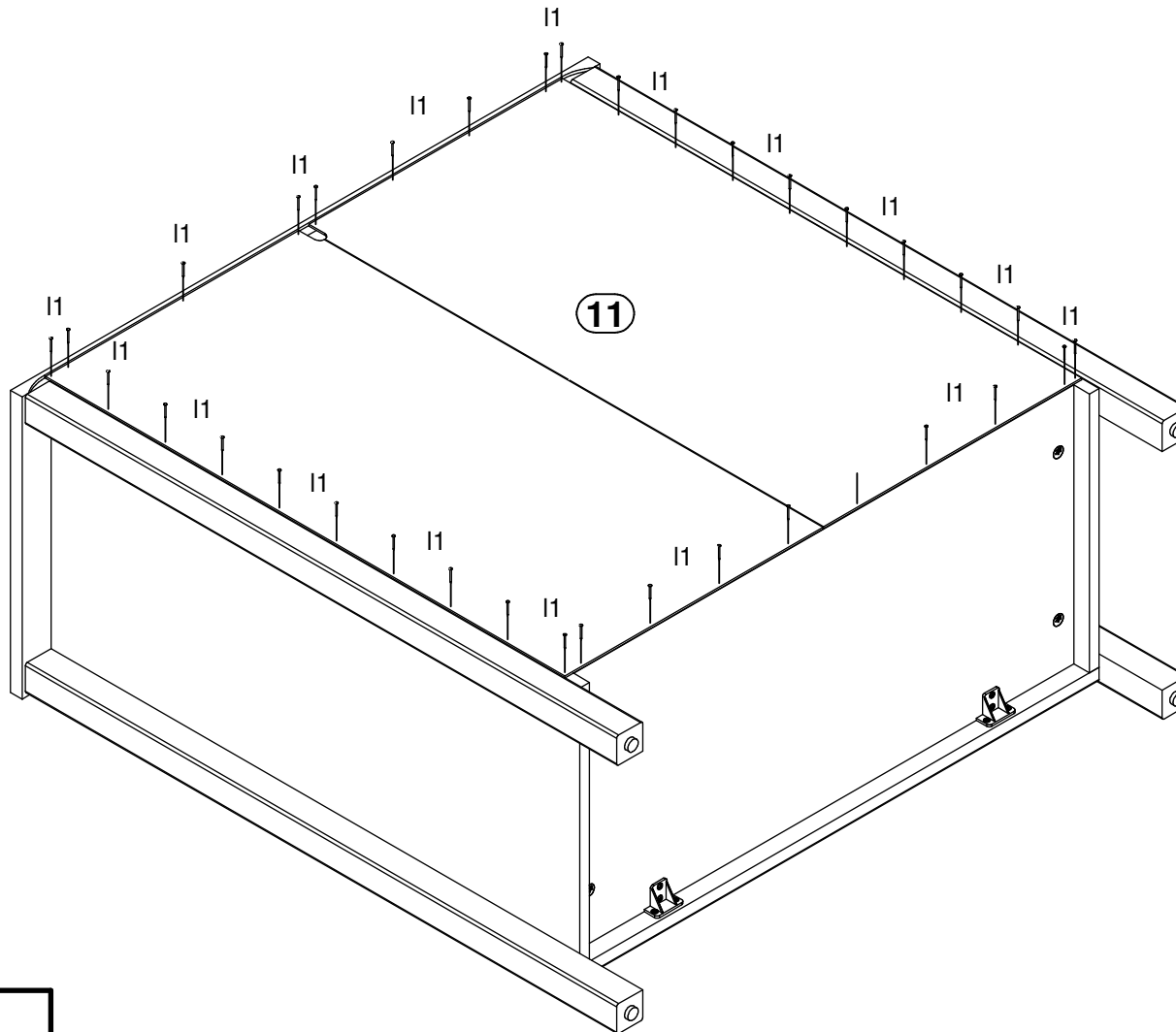
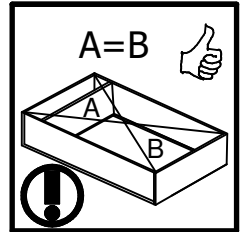
4 



5 

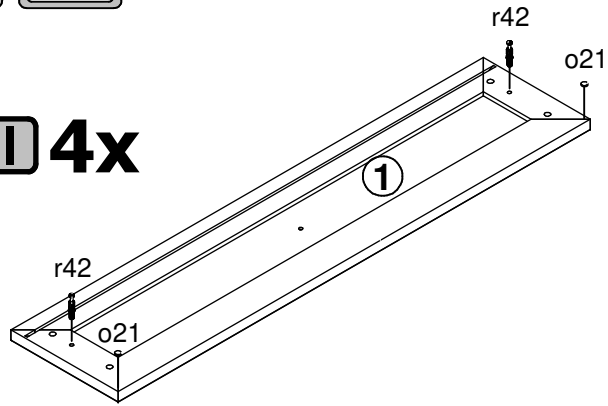


6 

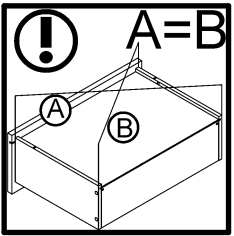
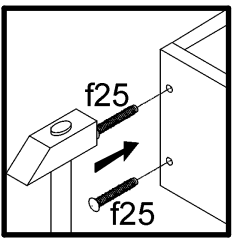
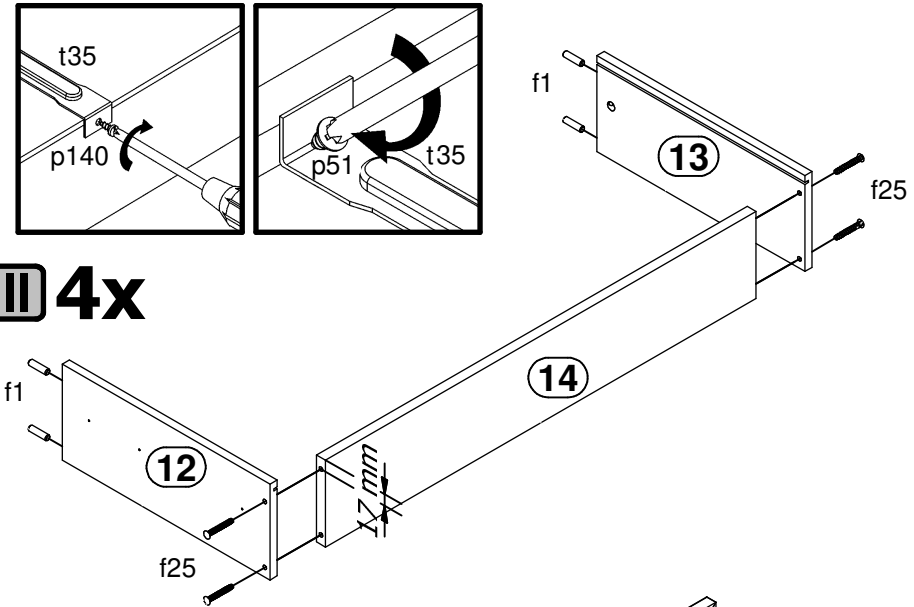


7  

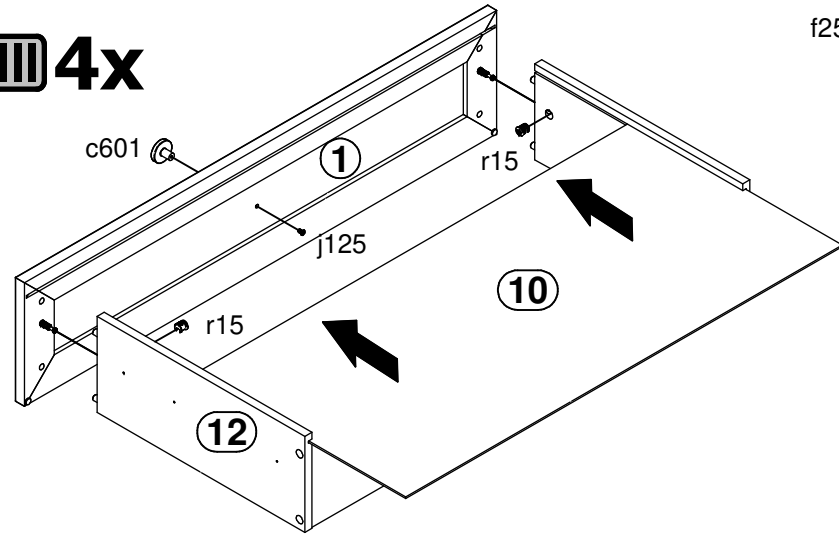
I 4x



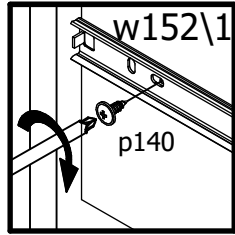
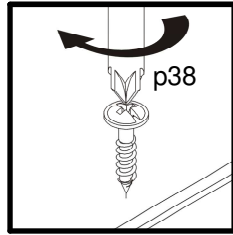
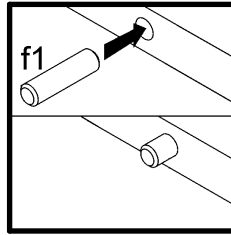
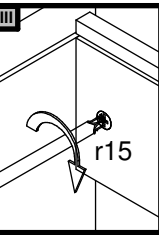
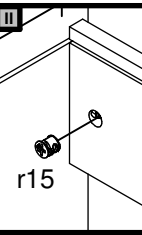
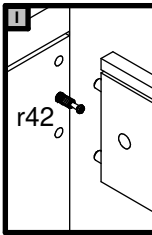
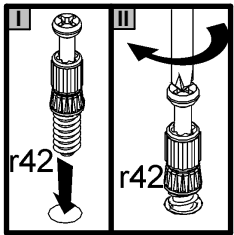
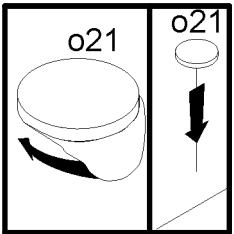
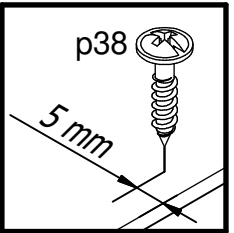
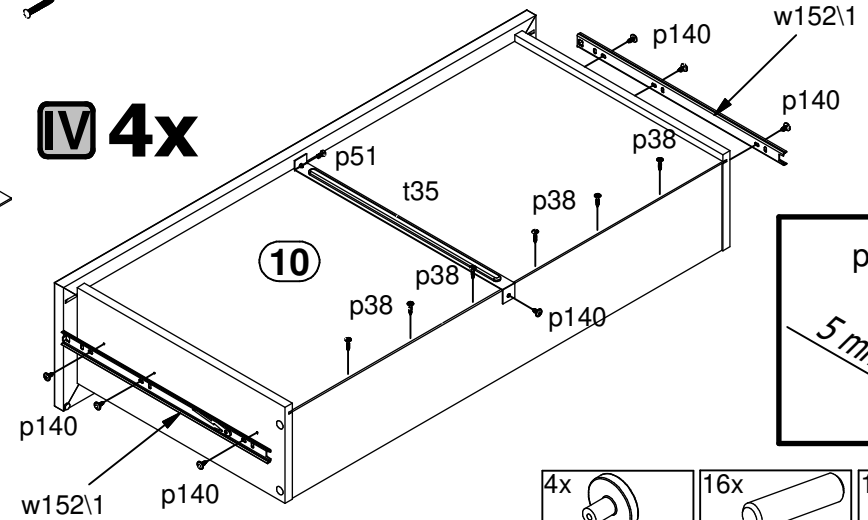
II 4x


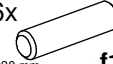
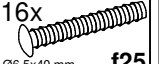



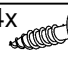


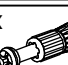
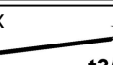



III 4x

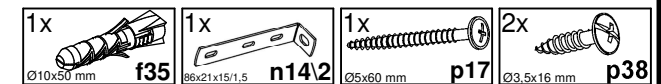
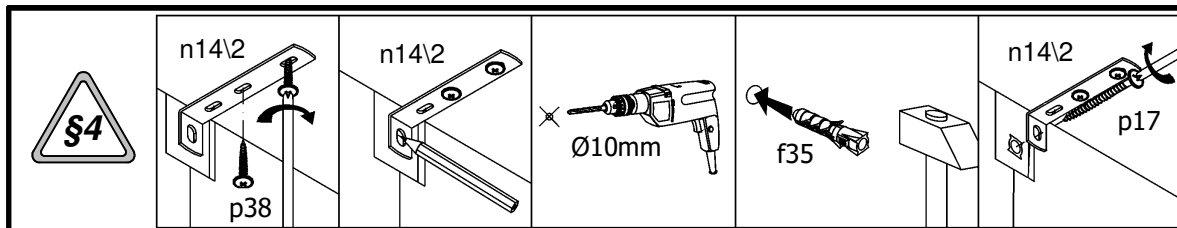
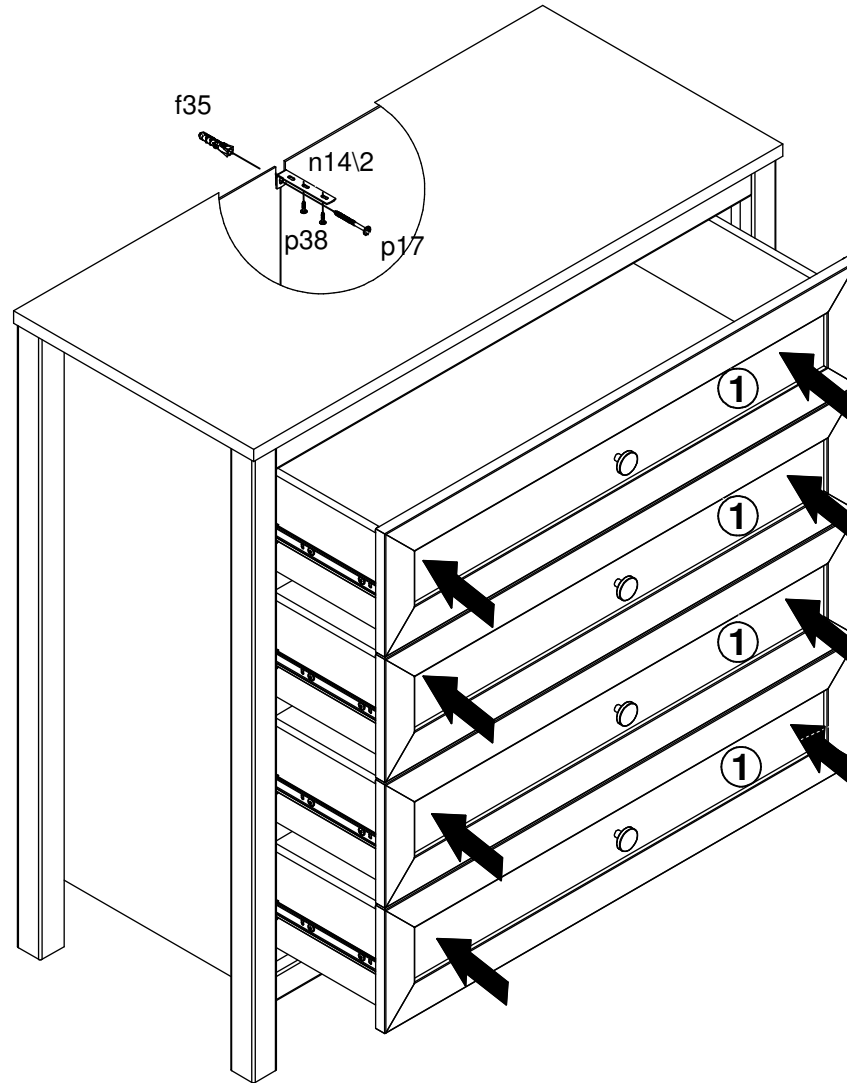


IV 4x



4x  c601	16x  f1 Ø8x30 mm	16x  f25 Ø6.5x40 mm
1x  j125 M4x7 mm	2x  o21 silikon	4x  p51 Ø3.5x15 mm
24x  p38 Ø3.5x16 mm	28x  p140 Ø3.5x12 mm	8x  r15 Ø12x10.5 mm #12
8x  r42 20/11	4x  t35 350 mm	8x  w152\1 350/580 mm

8 



9

