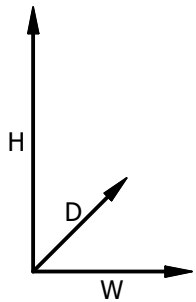
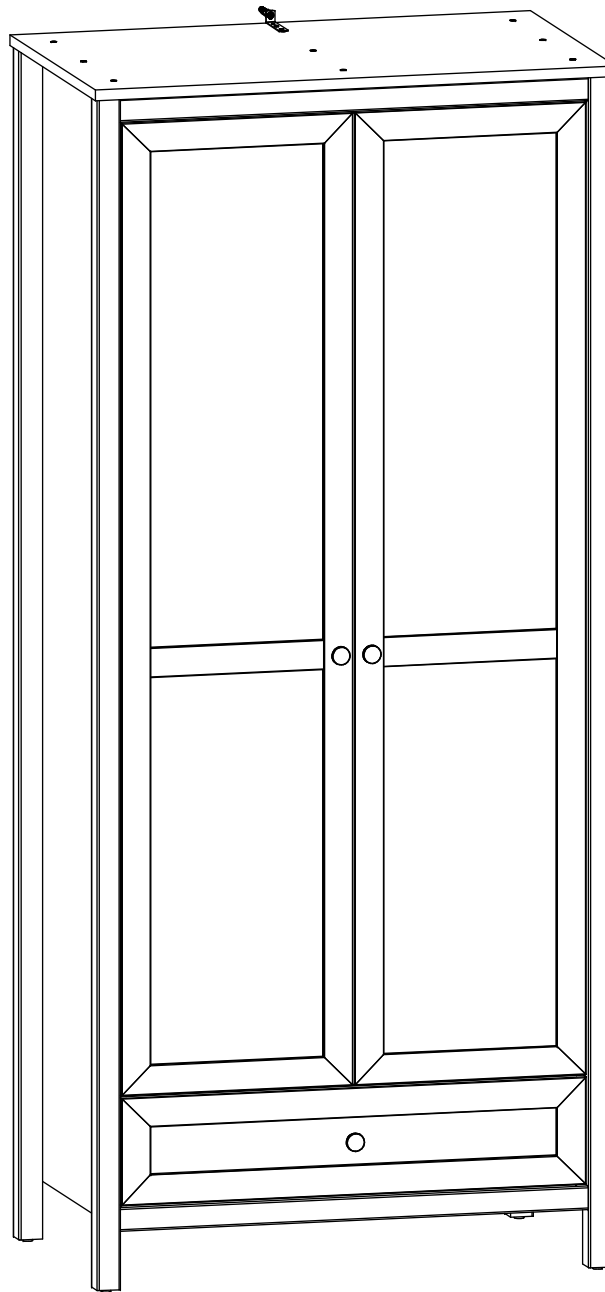
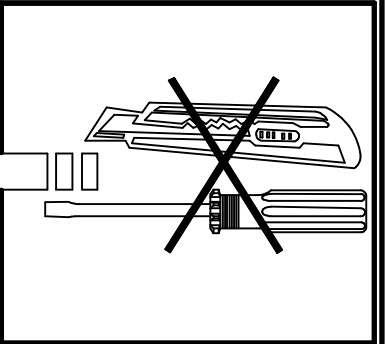
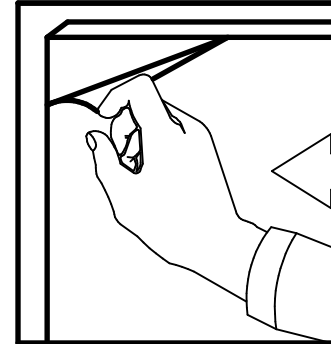
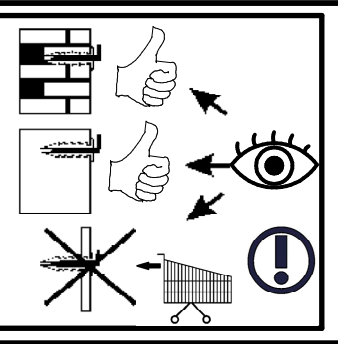
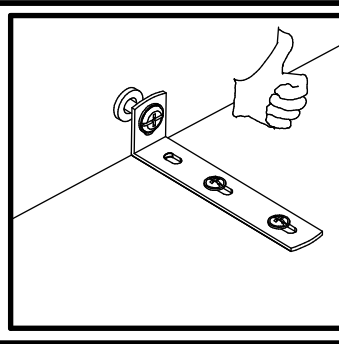
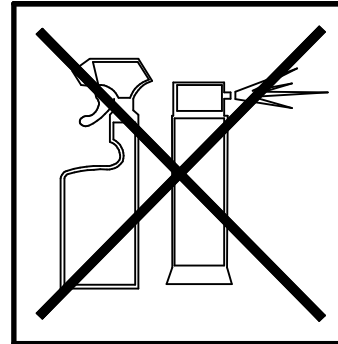
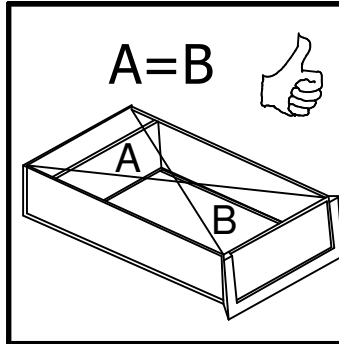
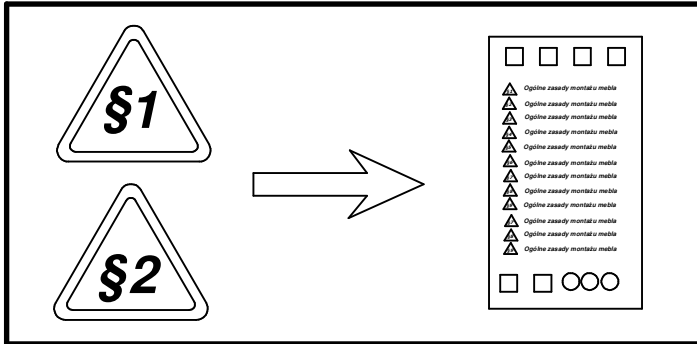
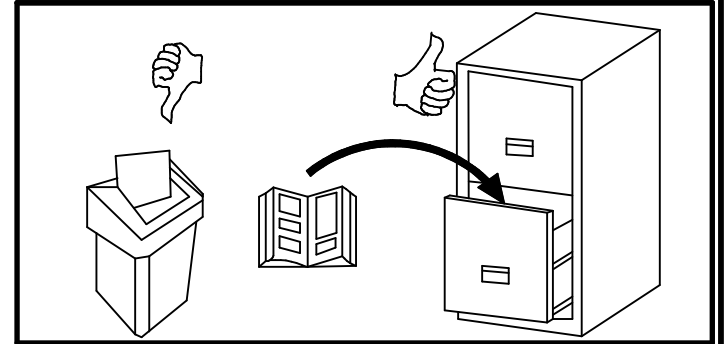
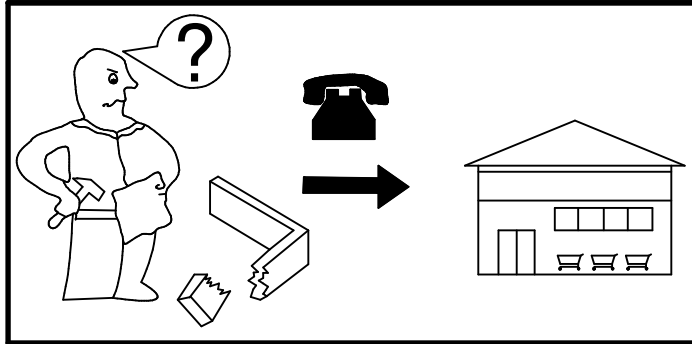
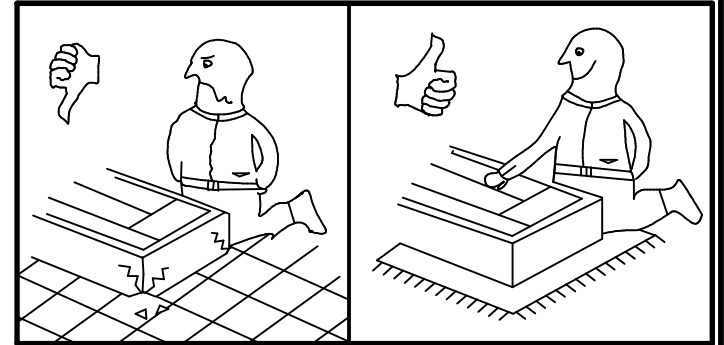
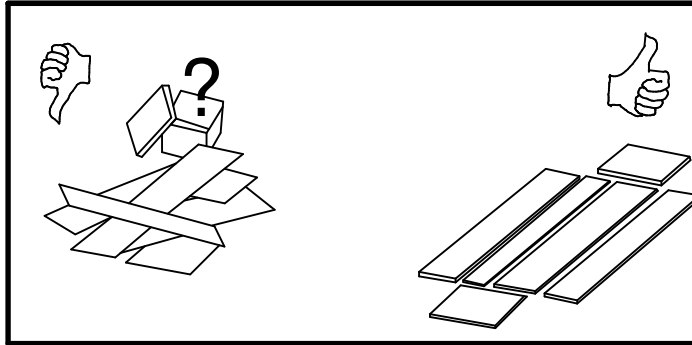
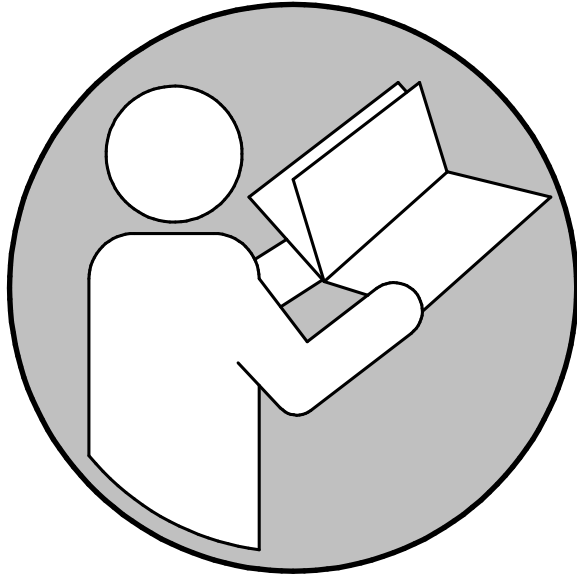


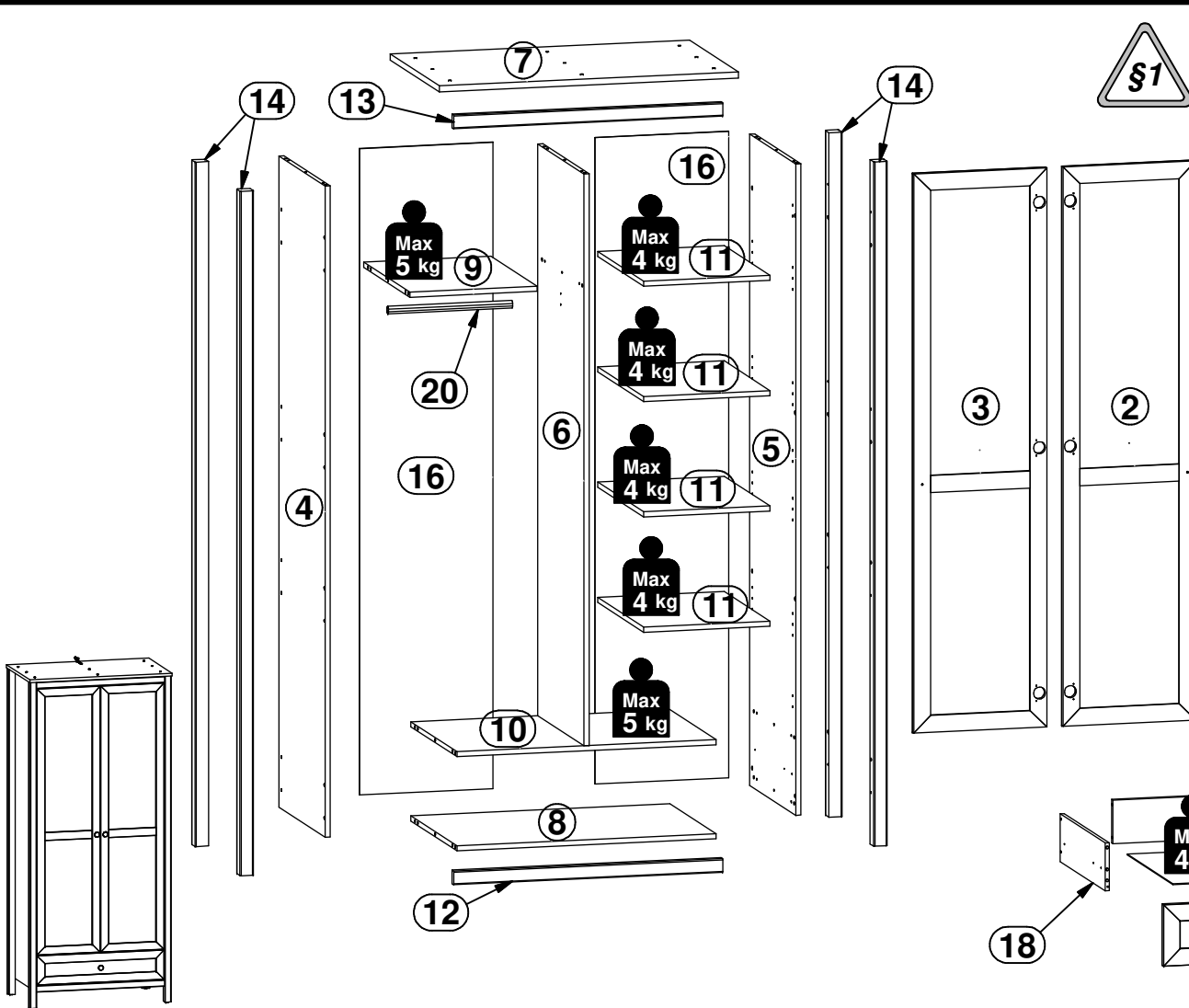
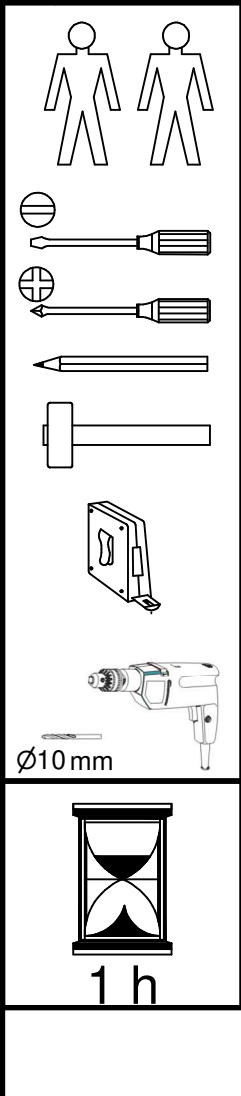
SALGA

S615-SZF2D1S

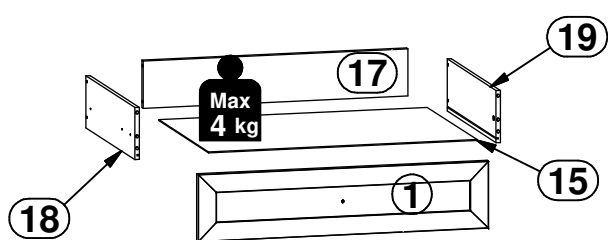


H - 2023 mm
W - 891 mm
D - 545 mm





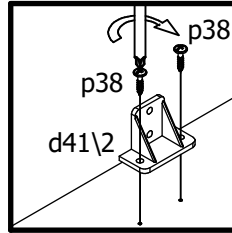
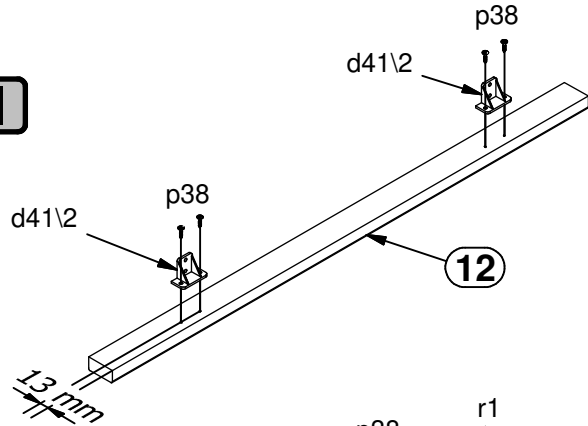
A	B	C (mm)			D
1	S615-0002	795	180	16	4/4
2	S615-0009	1634	396	16	1/4
3	S615-0014	1634	396	16	1/4
4	S615-1014	1903	514	15	2/4
5	S615-1015	1903	514	15	2/4
6	S615-1016	1671	514	15	2/4
7	S615-2005	891	545	18	4/4
8	S615-3012	771	514	15	4/4
9	S615-3013	378	514	15	4/4
10	S615-3014	771	514	15	4/4
11	S615-3015	377	510	15	4/4
12	S615-5016	801	40	19	3/4
13	S615-5017	801	40	19	3/4
14	S615-5020	2000	40	40	3/4
15	S615-9012	735	507	2,5	4/4
16	S615-9013	1889	398	2,5	2/4
17	STK-5003	725	127	15	4/4
18	WSK3-5011	500	140	12	4/4
19	WSK3-5012	500	140	12	4/4
20	dr-370	370	22	15	4/4



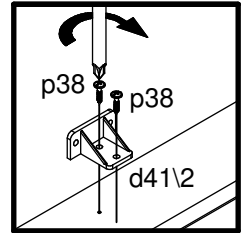
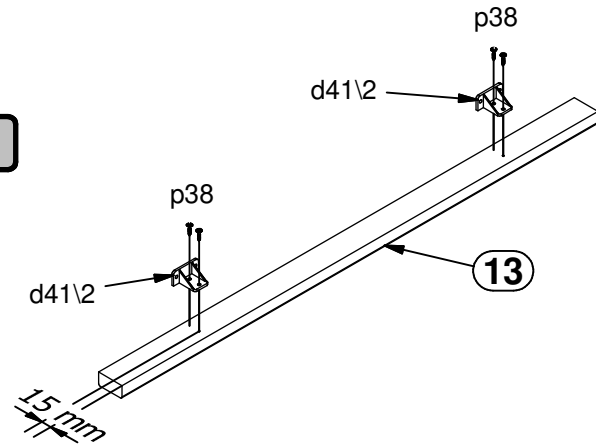
6x a83	6x b32	3x c601	16x d1	cm 0 1 2 3 4 5 6 7 8 9 10						4x d412	12x e1	16x e11	<table border="1"><tr><td>D</td></tr><tr><td>4/4</td></tr></table>	D	4/4
D															
4/4															
40x f1	4x f25	1x f35	1x j125	2x j1	4x k1	65x l1	2x n267	1x n14/2	9x n108	6x o21	13x p140	22x p38			
19x p51	1x p17	9x p55	18x r1	2x r15	20x r42	12x s59	6x s68	1x t34	2x w165/1	2x w165/2	1x z1				

1  

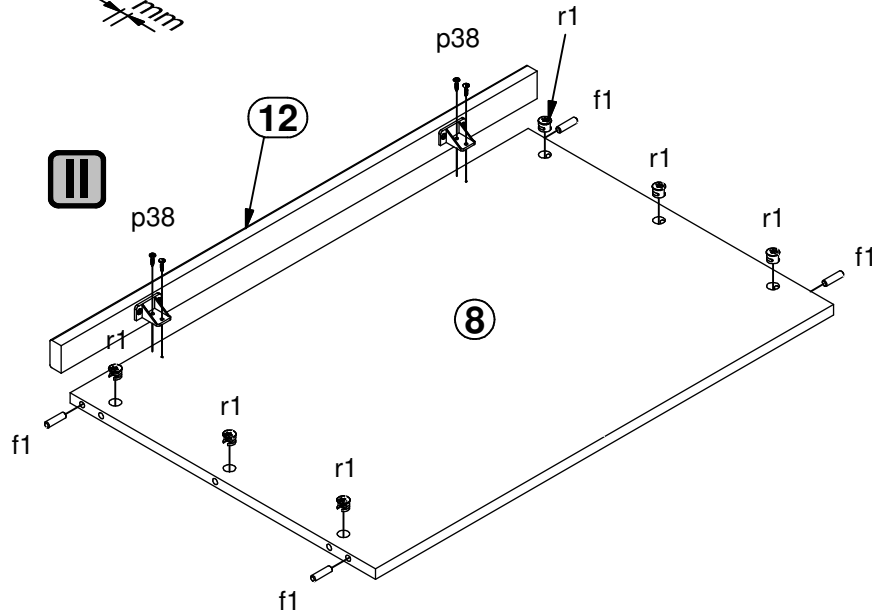
I



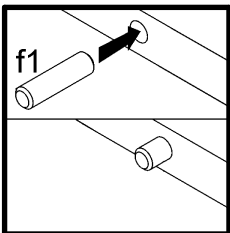
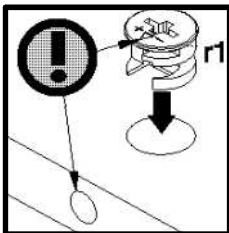
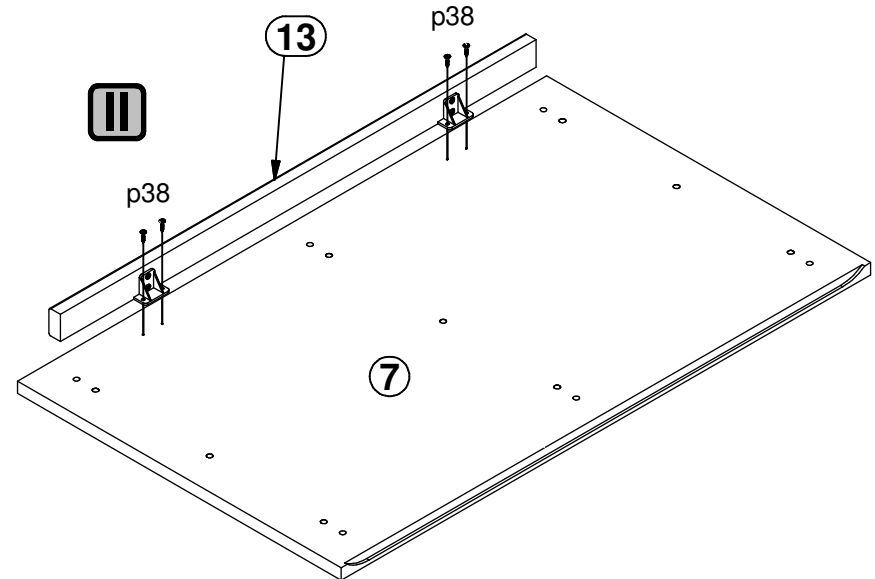
I


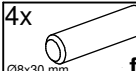
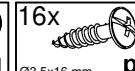
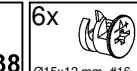


III

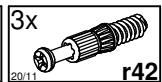
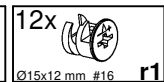
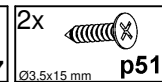
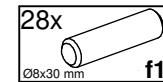
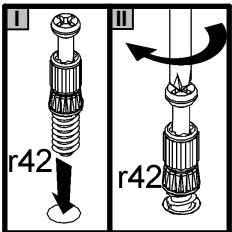
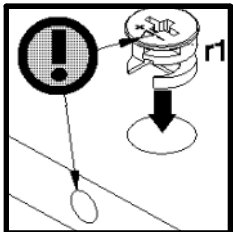
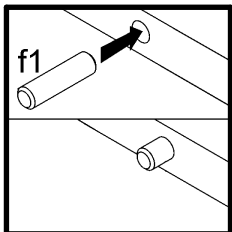
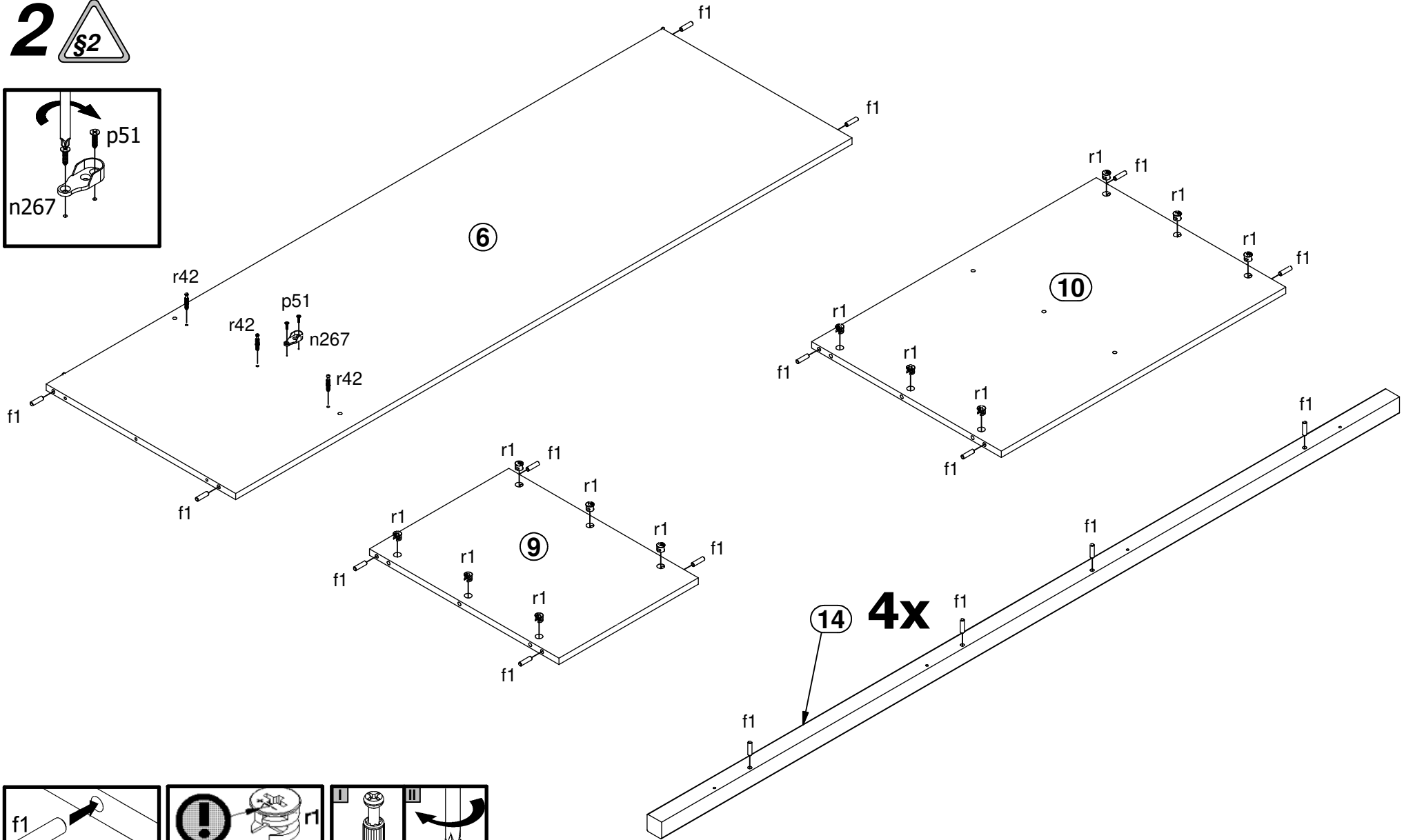
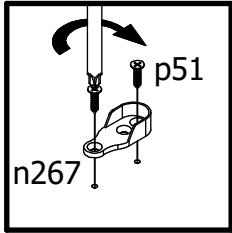


III

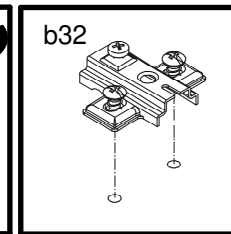
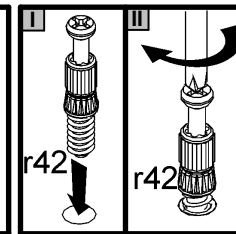
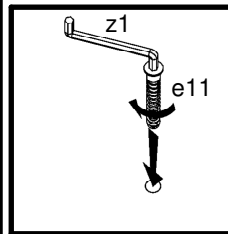
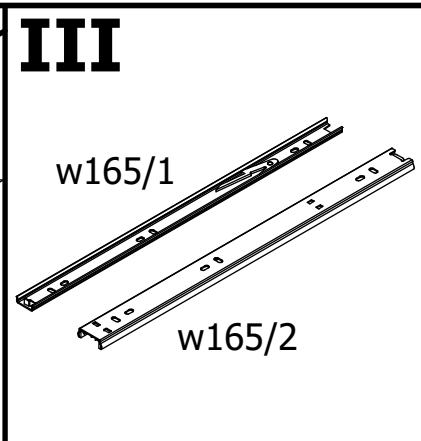
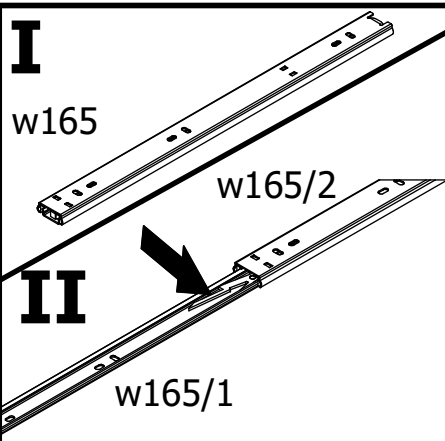
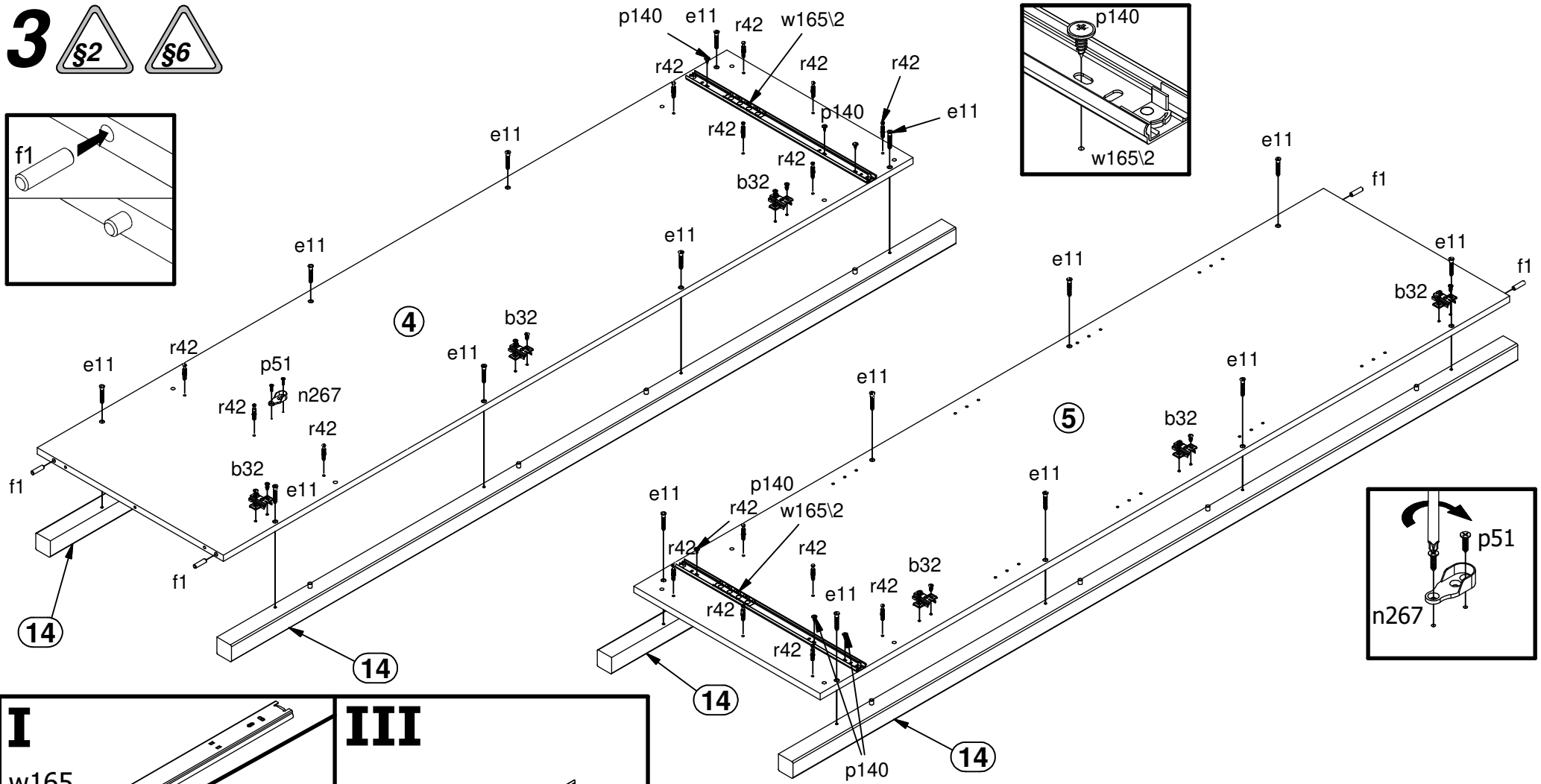
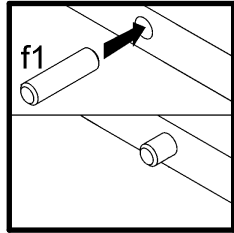



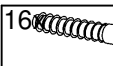
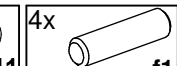



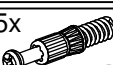

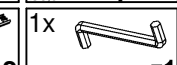
-  4x
d41/2
-  4x
f1
Ø8x30 mm
-  16x
p38
Ø3.5x16 mm
-  6x
r1
Ø15x12 mm #16

2 

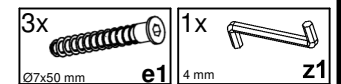
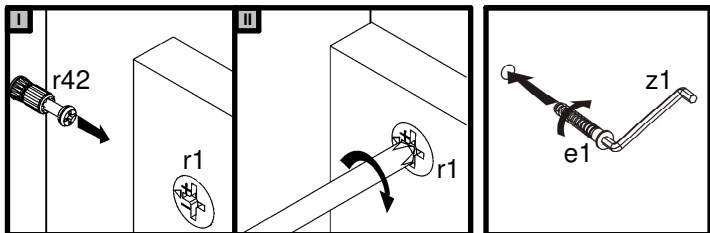
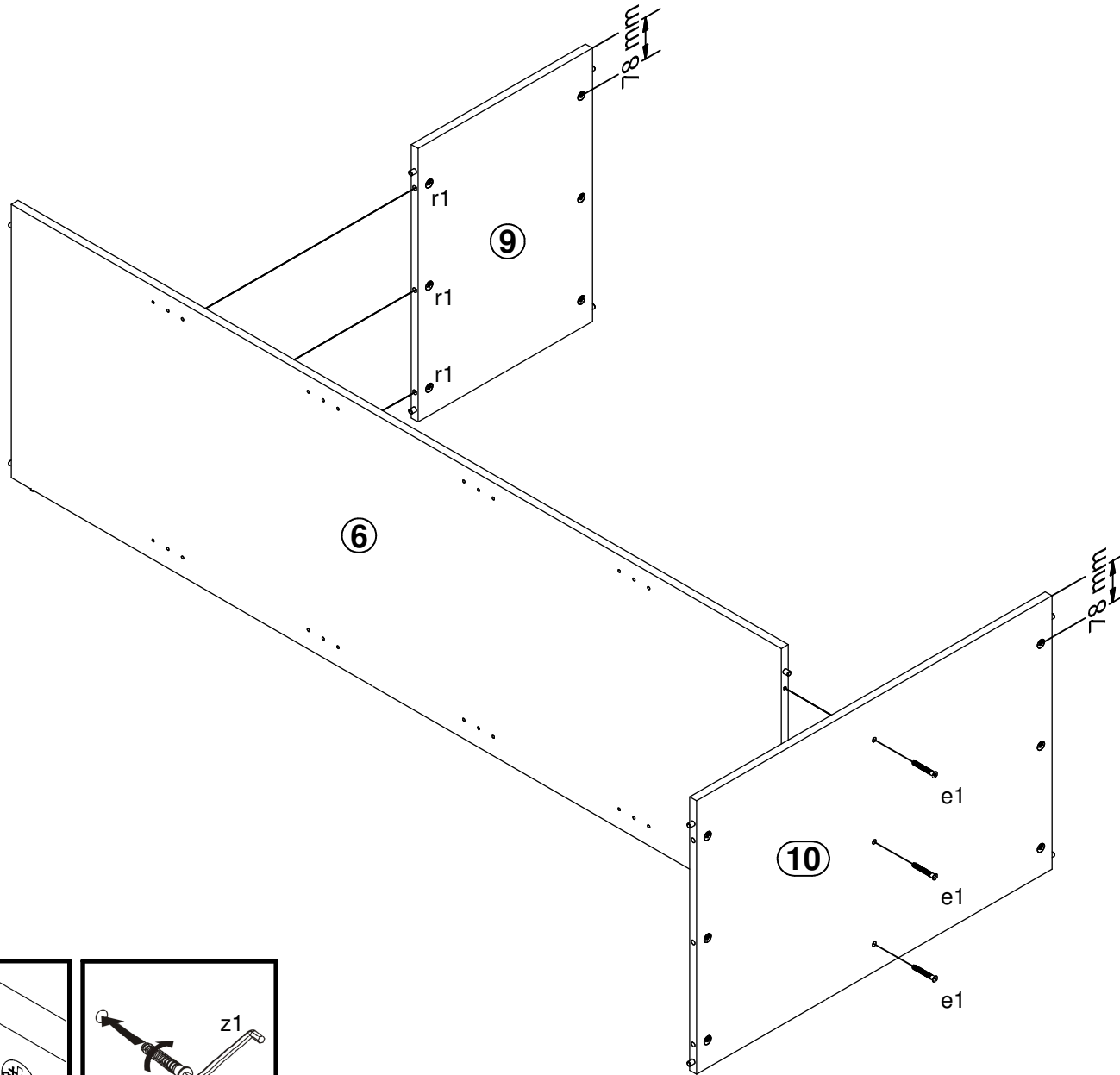


3  

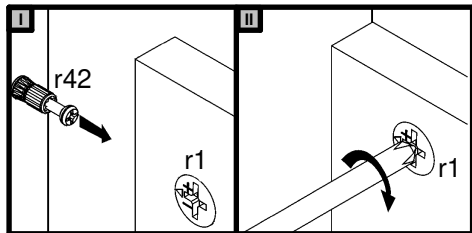
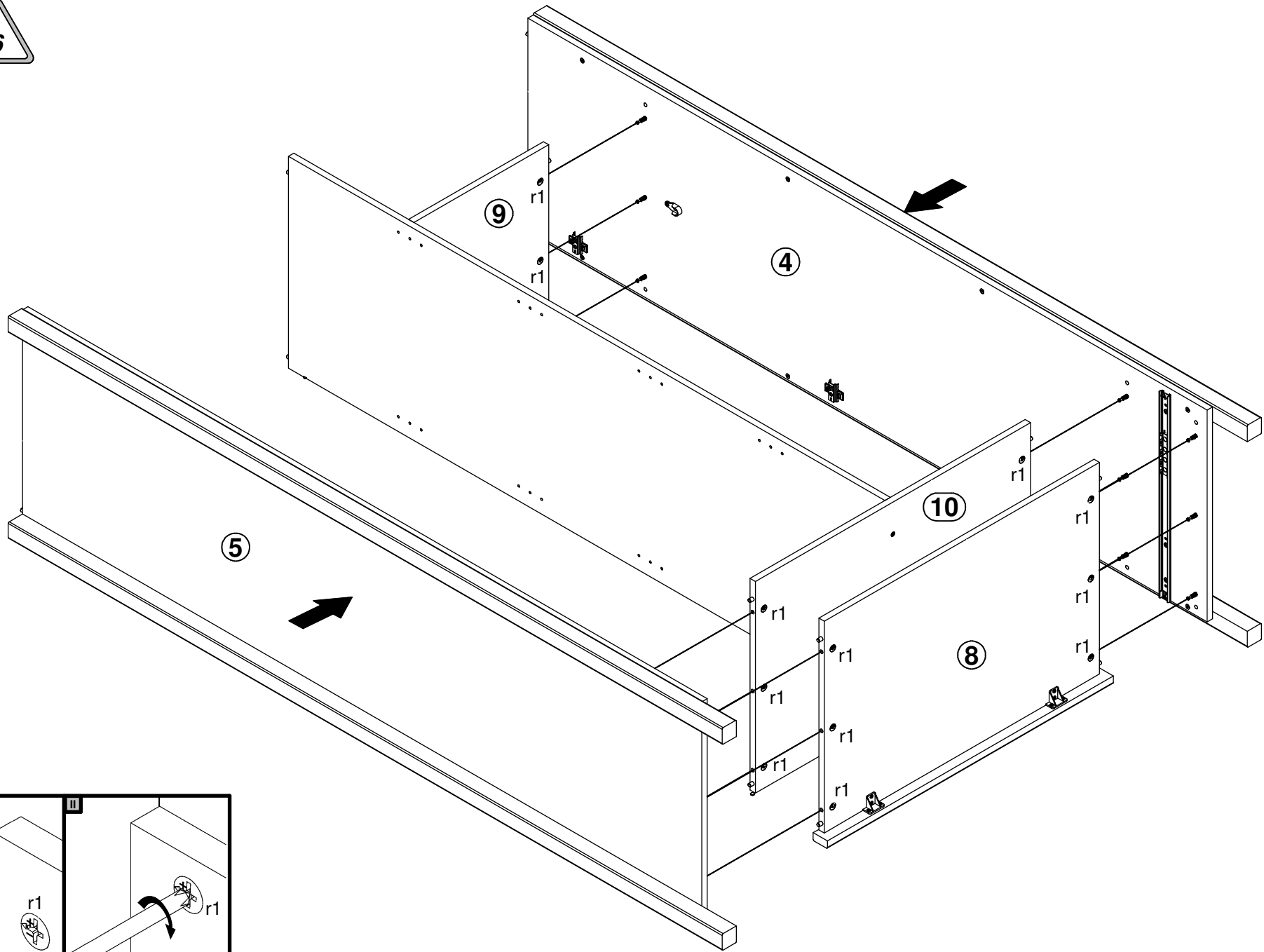


6x 	16x 	4x 
1x 	2x 	6x 
15x 	2x 	1x 

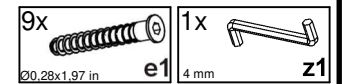
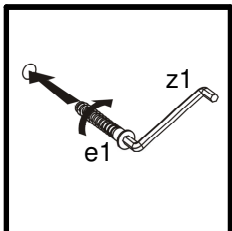
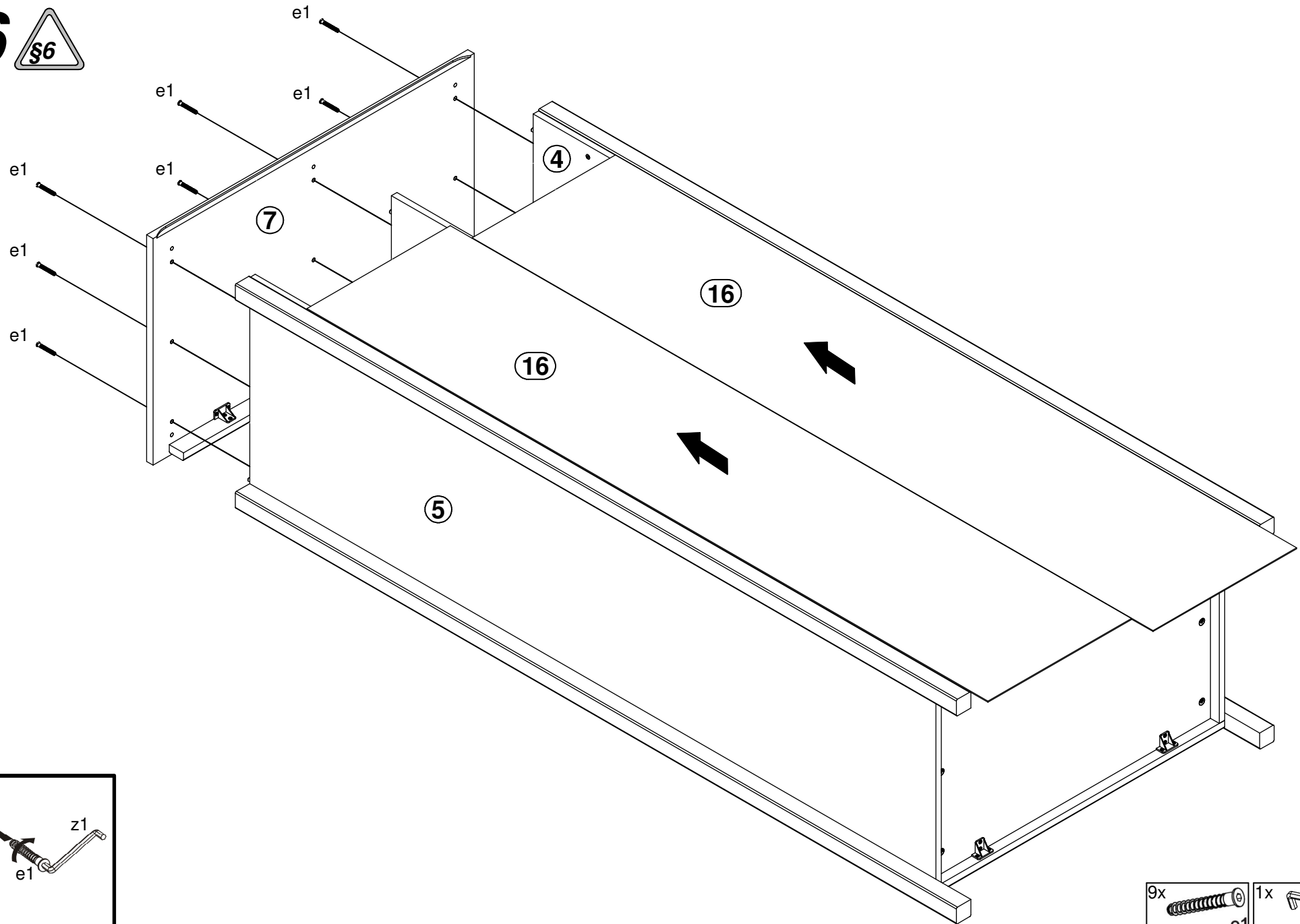
4 

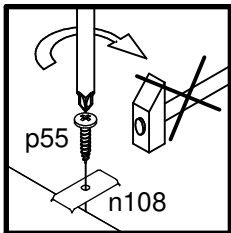
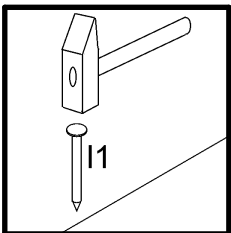
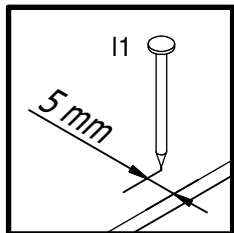
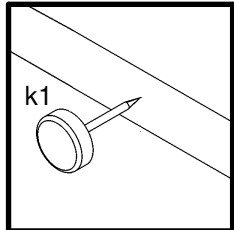
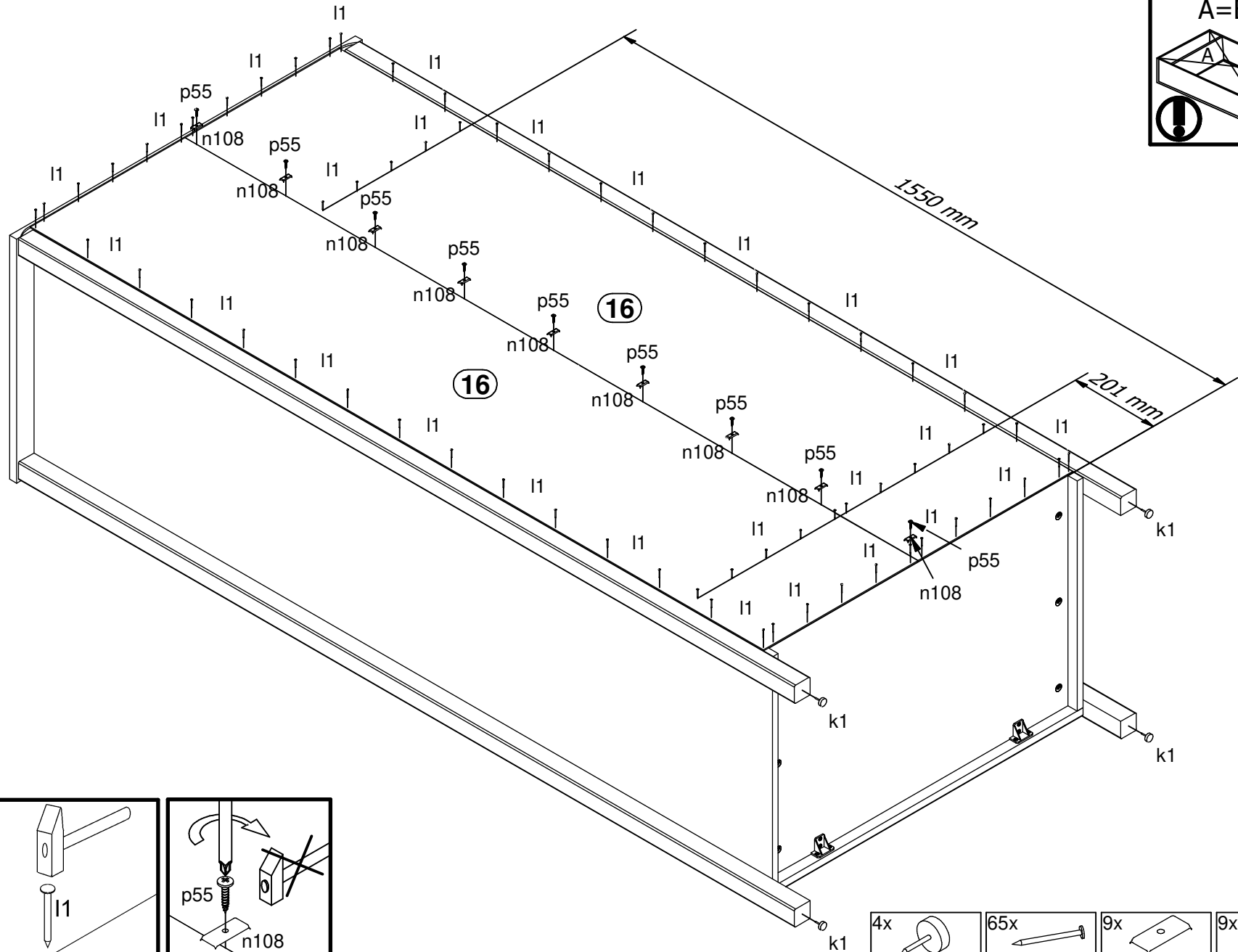
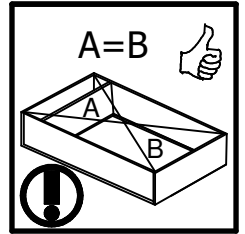


5 



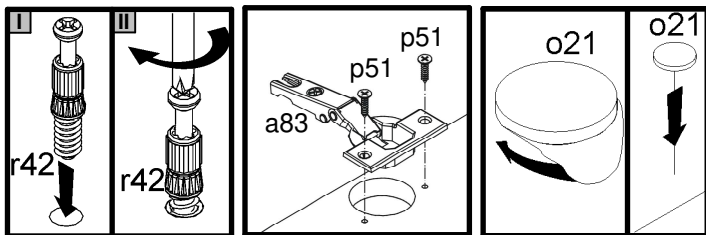
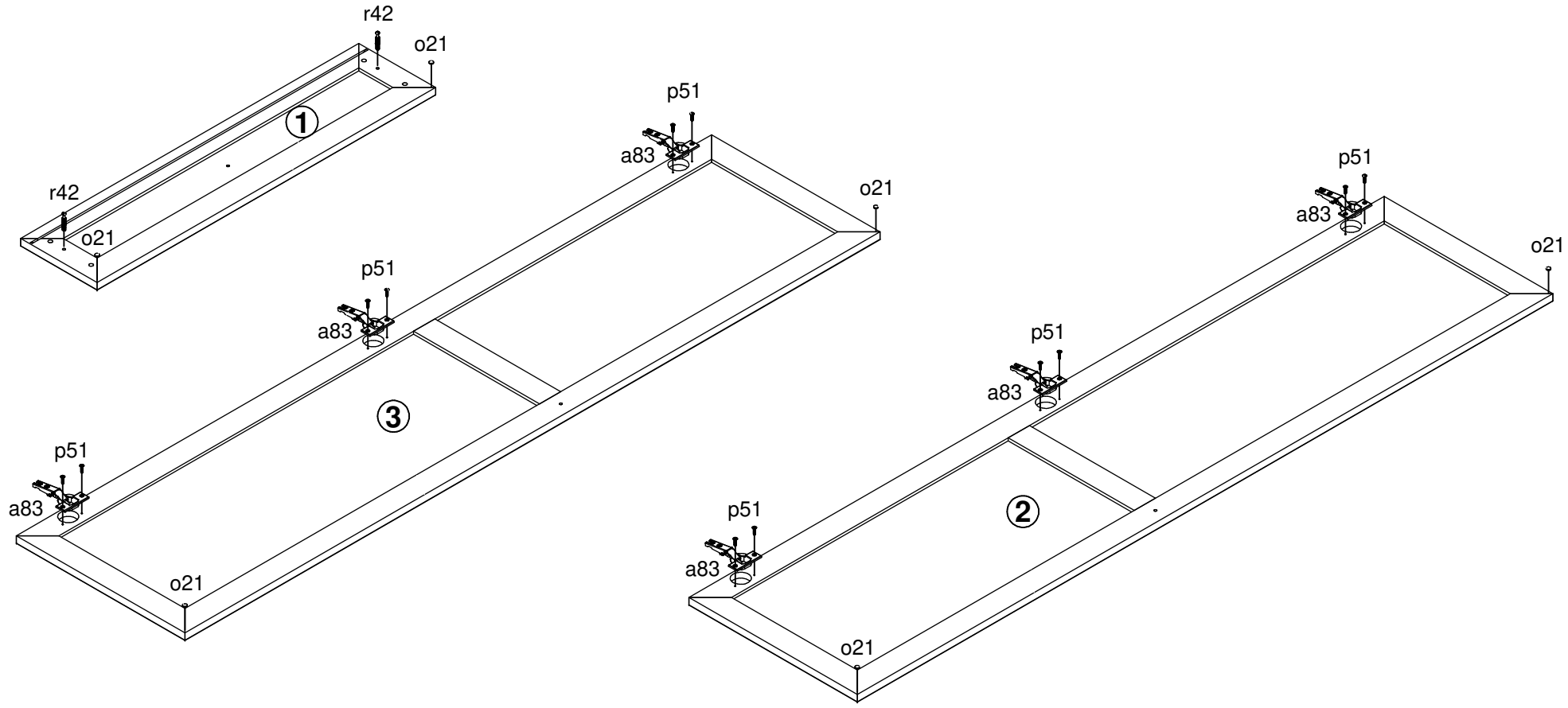
6 

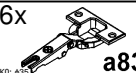
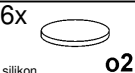
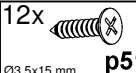
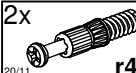




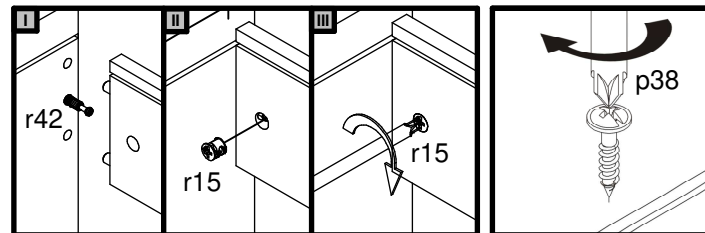
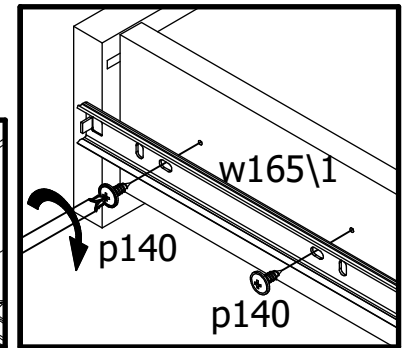
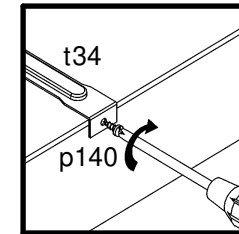
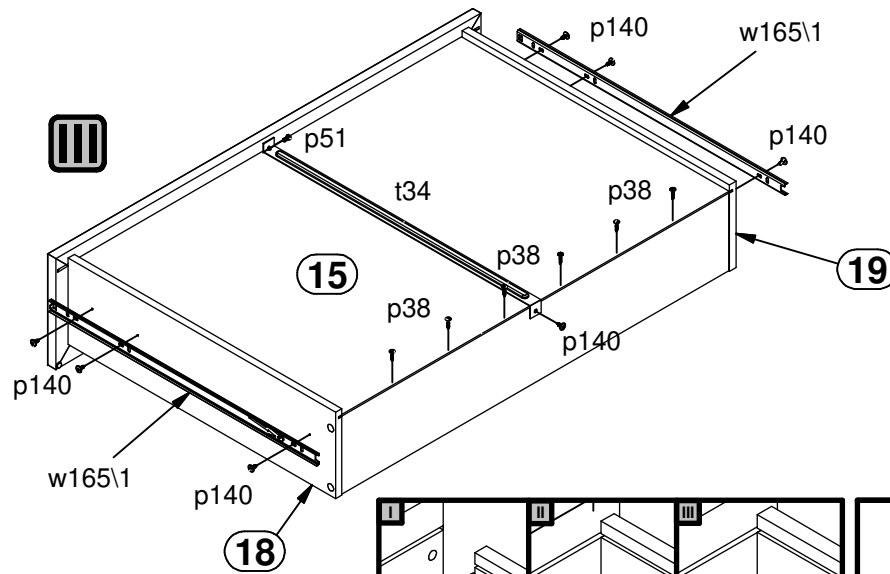
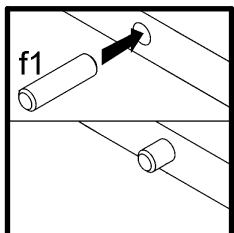
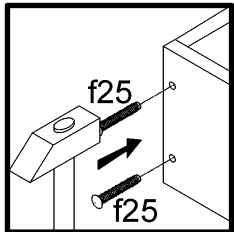
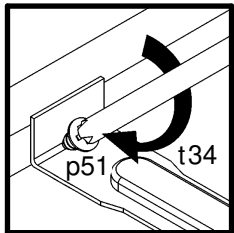
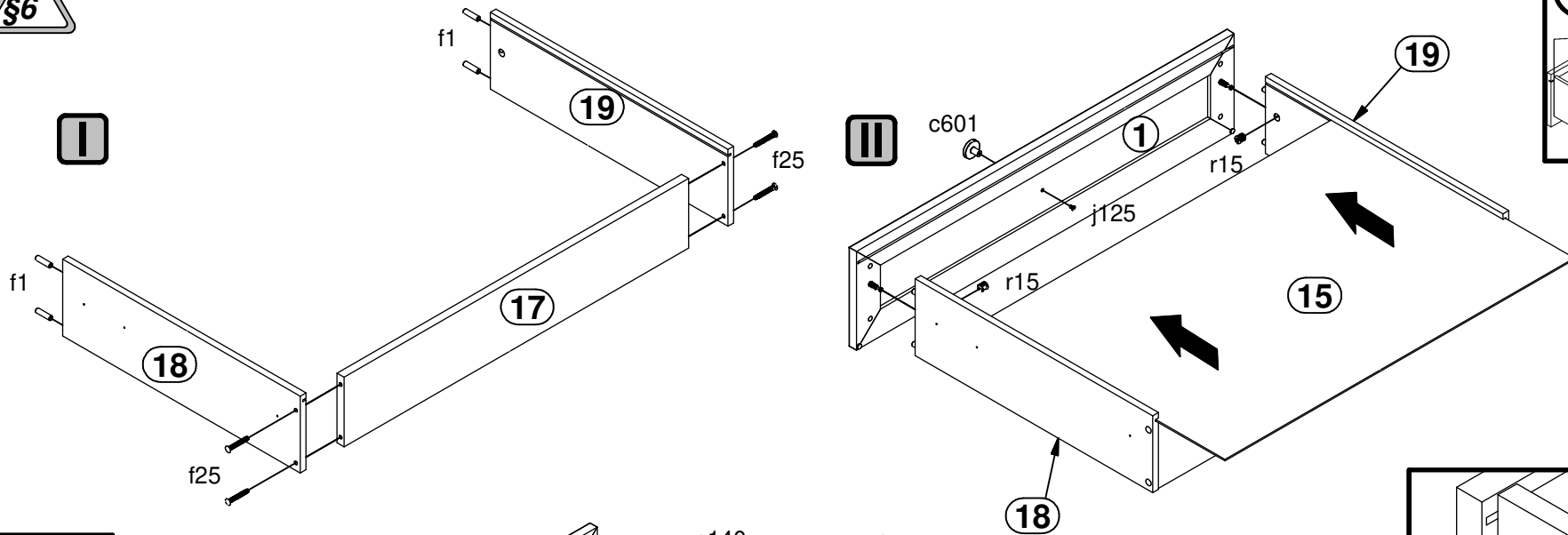
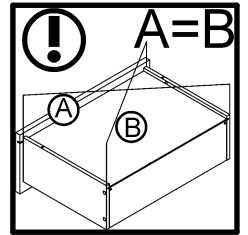
- 4x k1
- 65x l1 1,4x20 mm
- 9x n108 22x9,5x2,0,7 mm
- 9x p55 Q2,9x16 mm

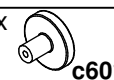
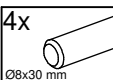
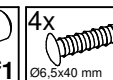
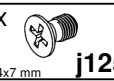
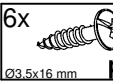
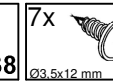
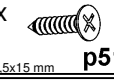
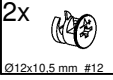
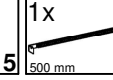

8 



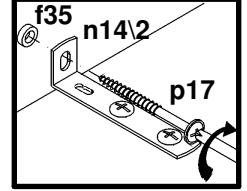
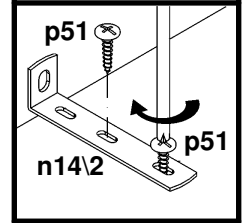
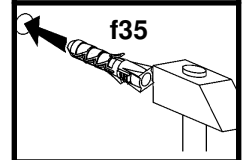
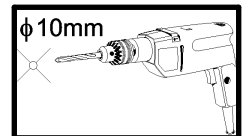
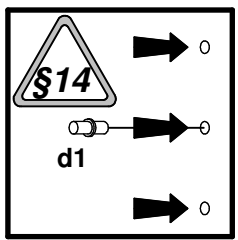
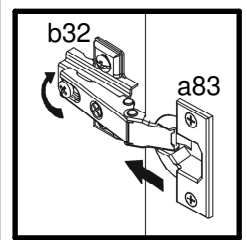
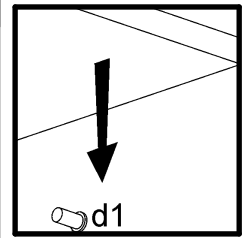
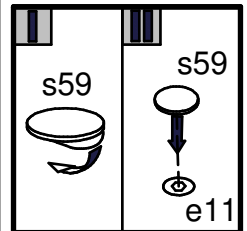
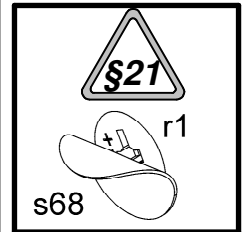
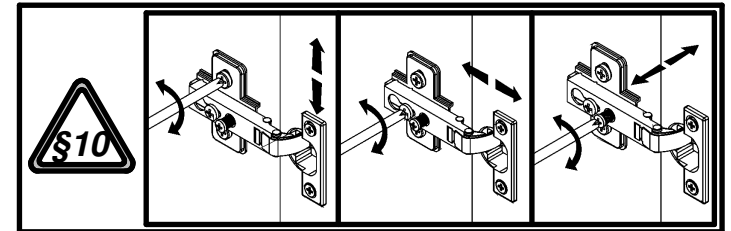
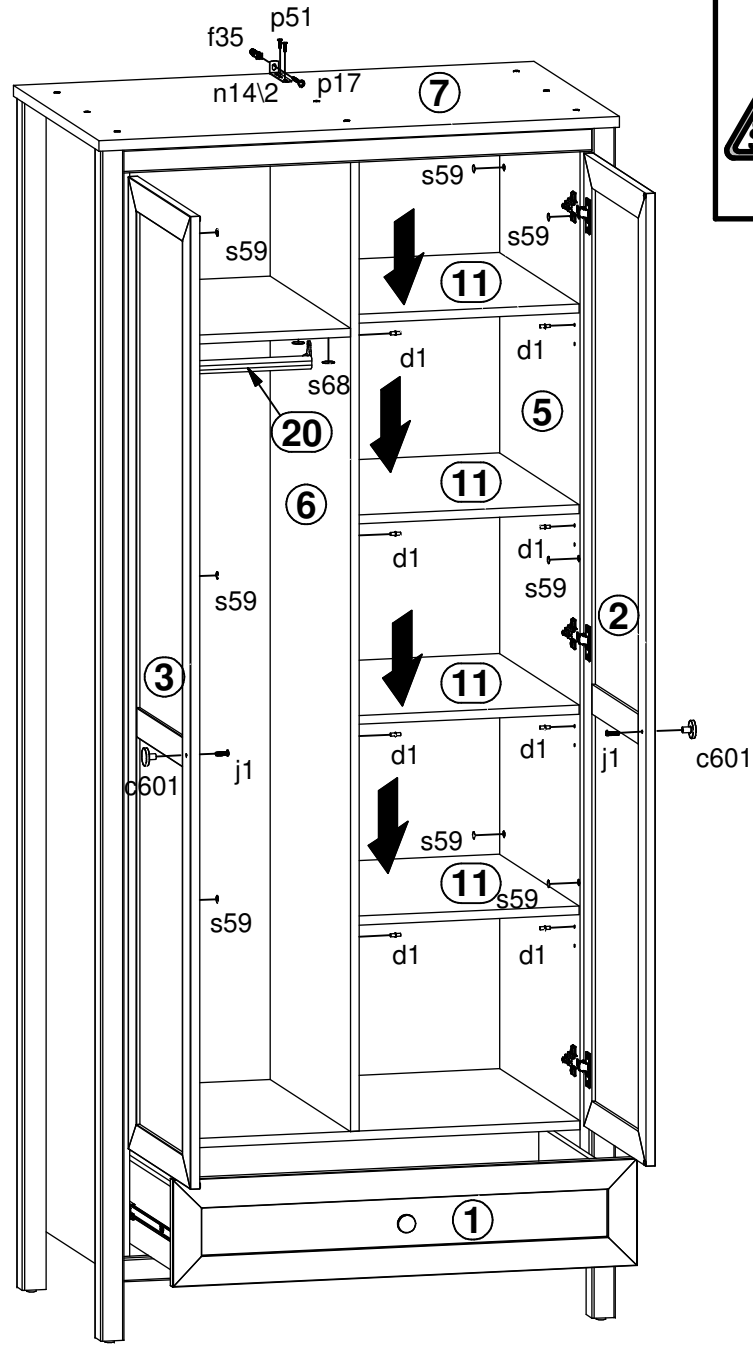
- 6x  a83
- 6x  o21 silikon
- 12x  p51 Ø3.5x15 mm
- 2x  r42



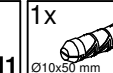
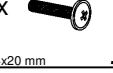
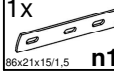
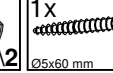



9 



1x  c601	4x  f1	4x  f25
1x  j125	6x  p38	7x  p140
1x  p51	2x  r15	1x  t34
2x  w165\1		

10 



2x  c601	16x  d1 ∅5x17 mm	1x  f35 ∅10x50 mm
2x  j1 M4x20 mm	1x  n14/2 86x21x15/1.5	1x  p17 ∅5x60 mm
2x  p51 ∅3,5x15 mm	12x  s59 ∅14x0,5 mm	6x  s68 ∅ 20mm

11

