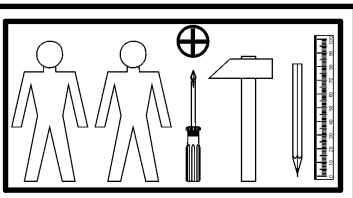
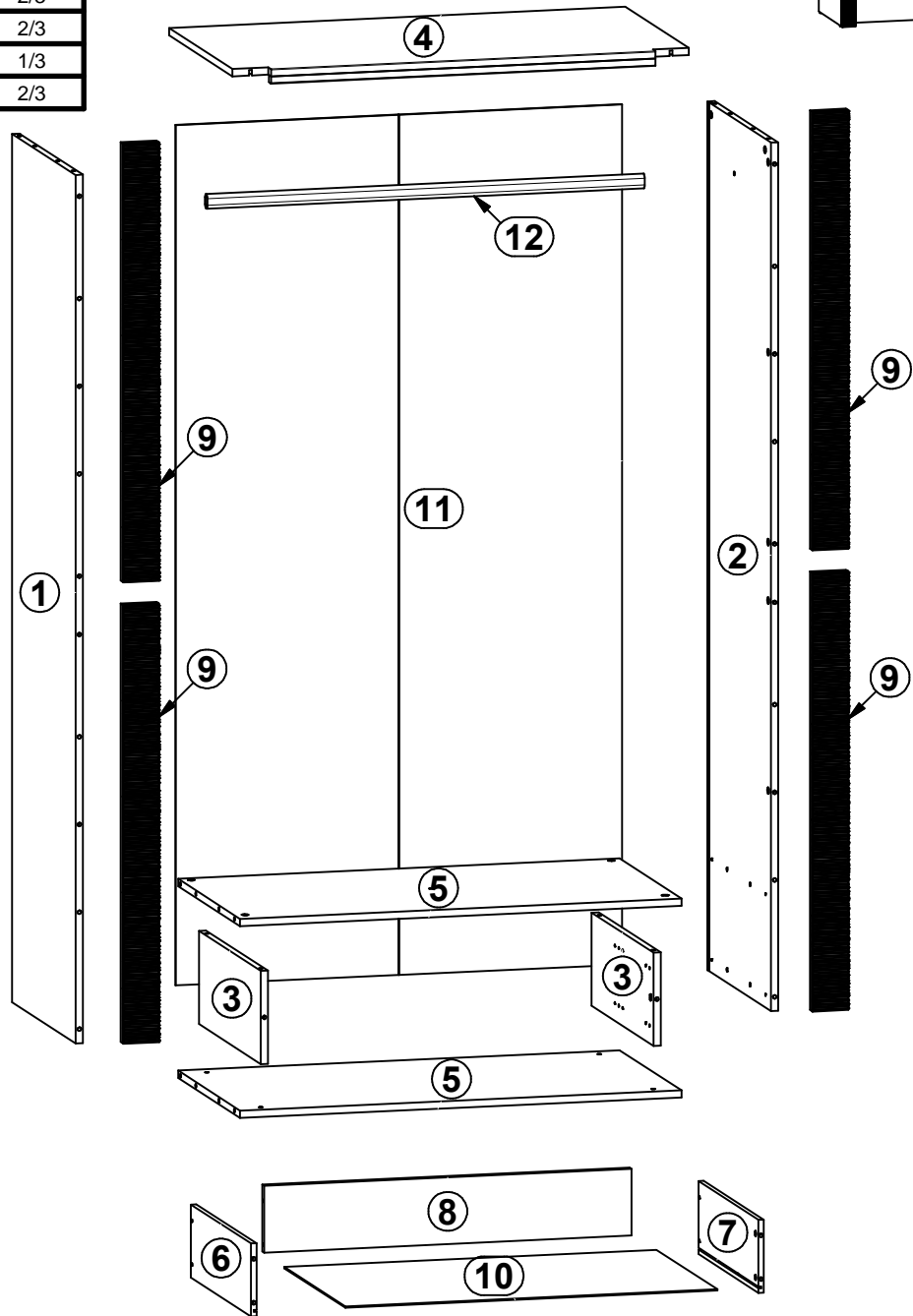
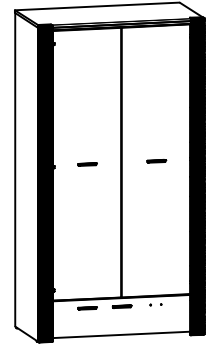


RAFLO

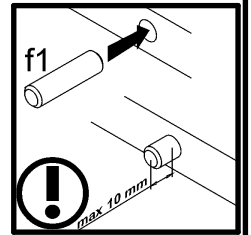
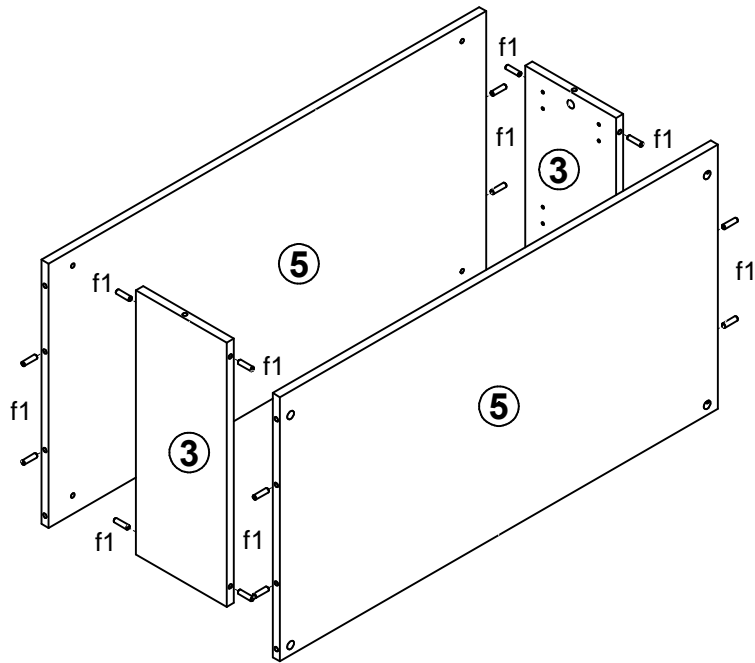
S126-SZF2D1S/19/10

A	B	C	D
1	S126-129	1902	529
2	S126-130	1902	529
3	S126-131	204	515
4	S126-207	1017	551
5	S126-310	984	515
6	S126-505	500	160
7	S126-506	500	160
8	S126-507	819	146
9	S126-571	960	80
10	S126-908	829	506
11	S126-9905	1884	995
12	dr-978	978	30

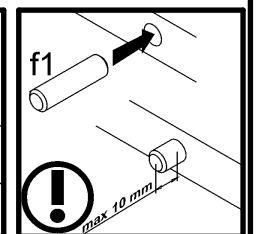
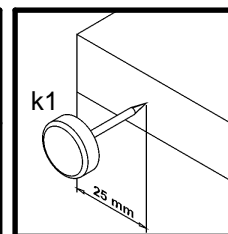
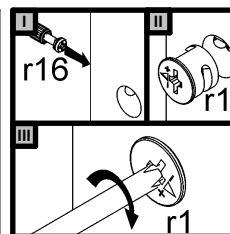
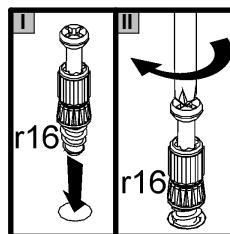
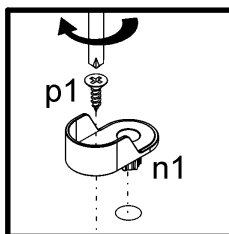
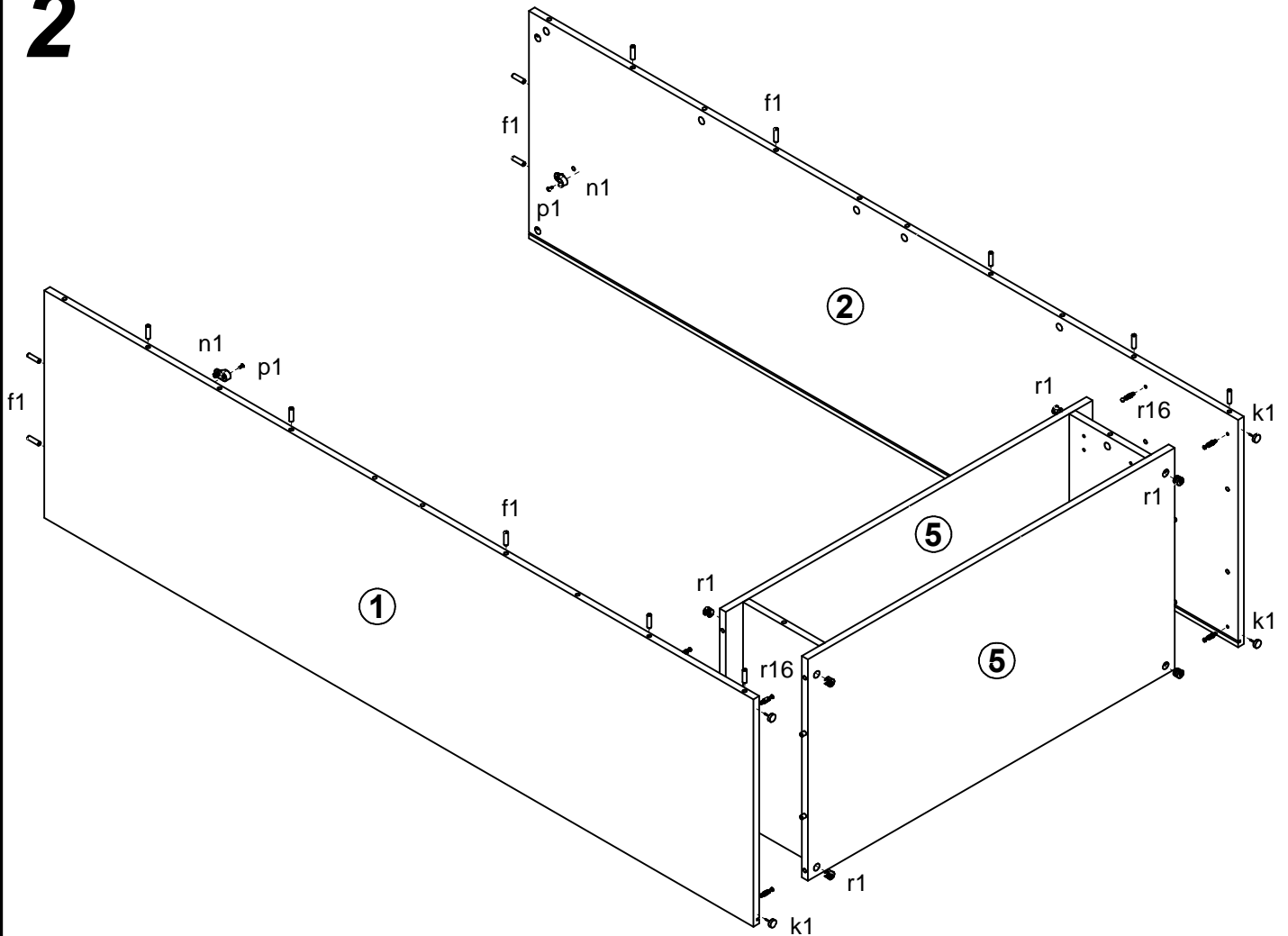


8x φ6x13 mm e3	30x φ8x30 mm f1	4x φ6.5x40 mm f25	4x k1	20x l1	20x l2	2x n1	2x φ3.5x13 mm p1	1x φ3.5x16 mm p25
1x φ3.5x10 mm p35	6x φ3.5x16 mm p38	24x φ1.5x12mm #16 r1	4x φ12x10.5mm #12 r15	28x r16	2x φ20x12mm #16 r36	2x 6,7/7,8 r37	4x φ11x5 mm s43	1x 500 mm t34
1x 500 mm w85\L	1x 500 mm w85\P	1x n26\1	1x φ3.5x16 mm p38	18x ø16 s2				

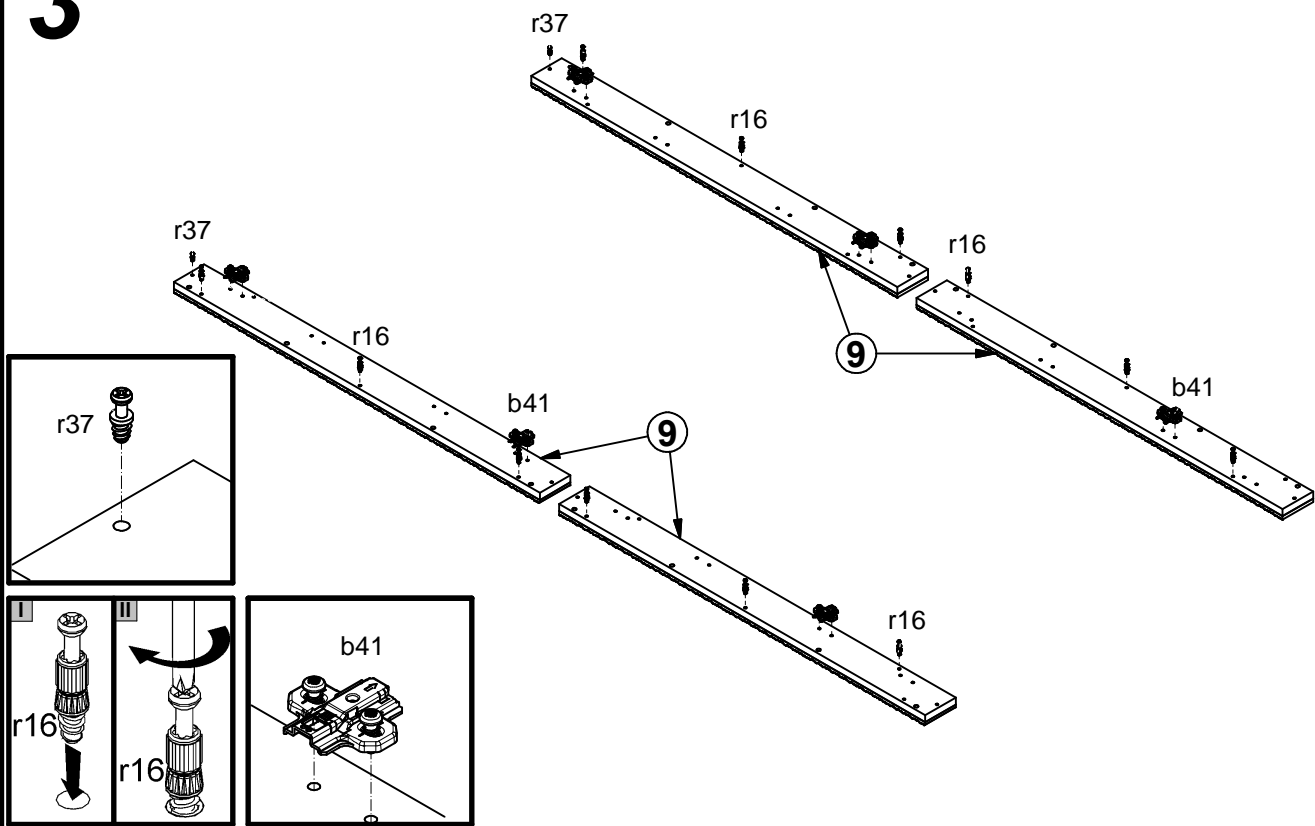
1  



2



3



4

