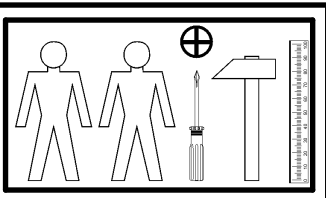
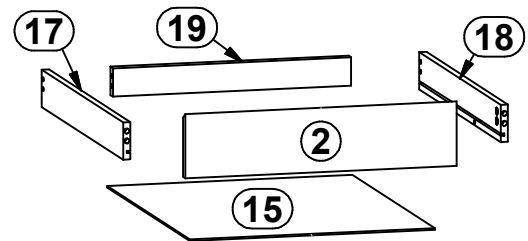
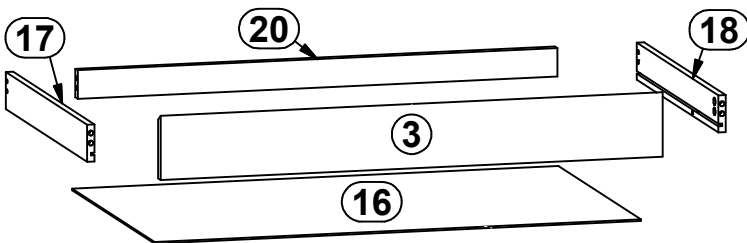
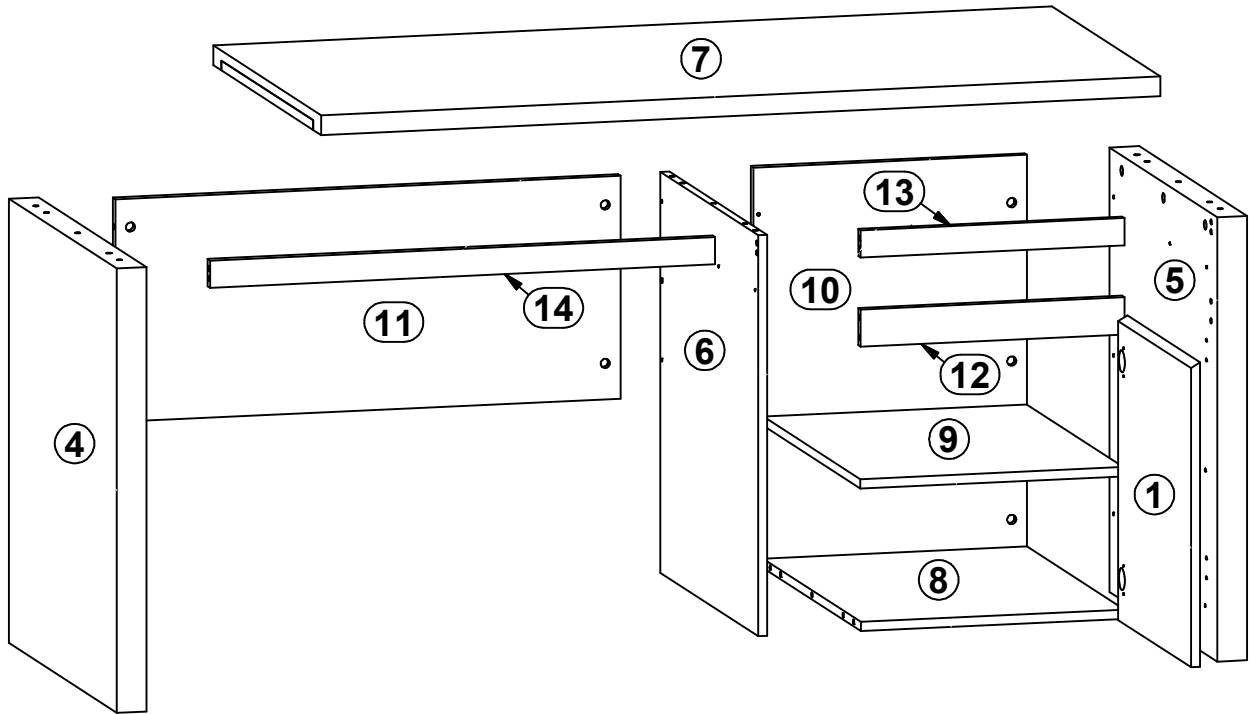
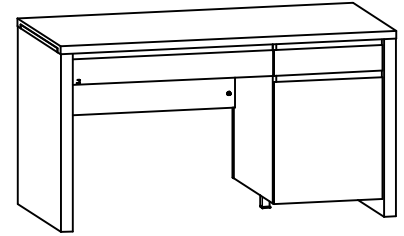


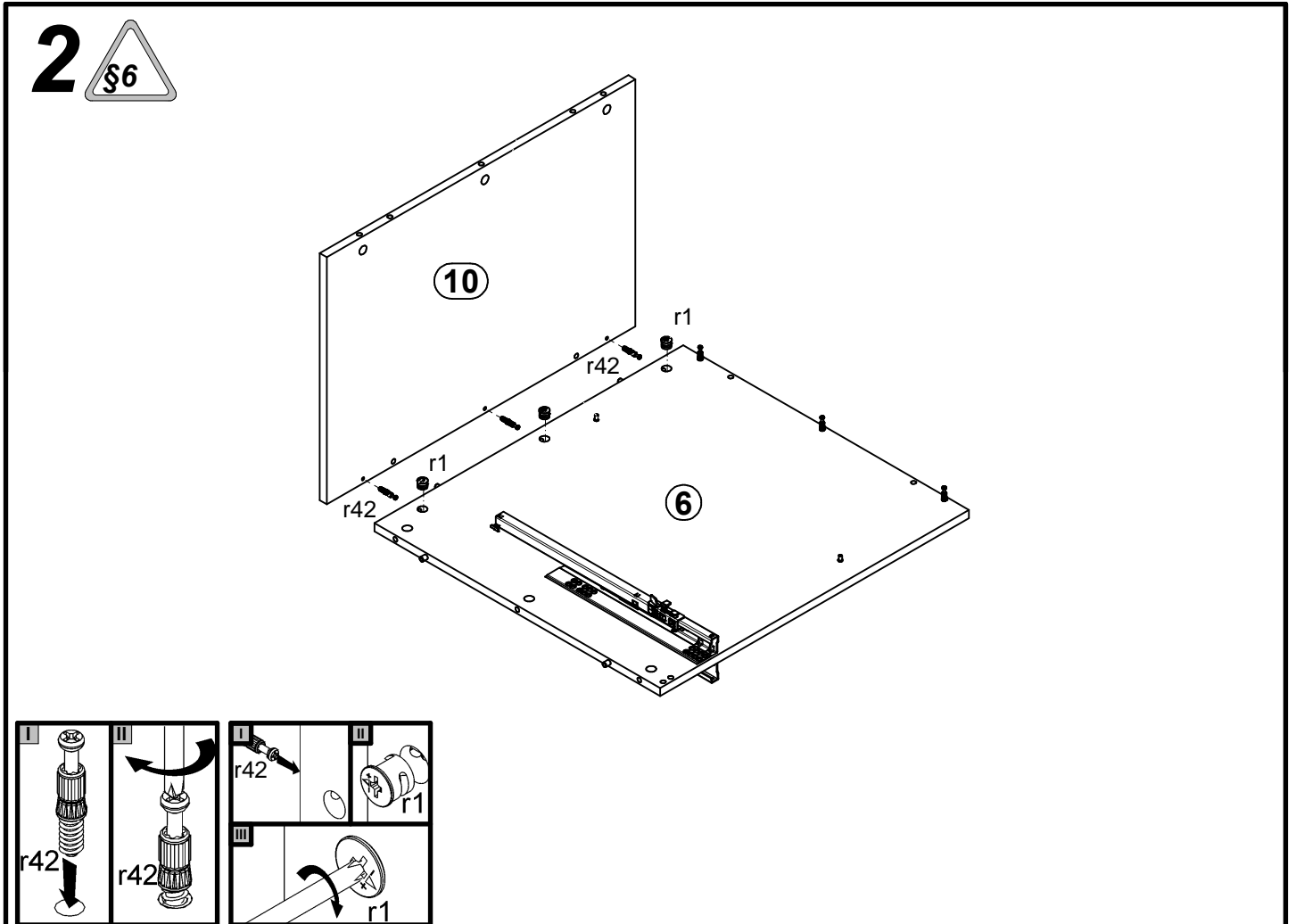
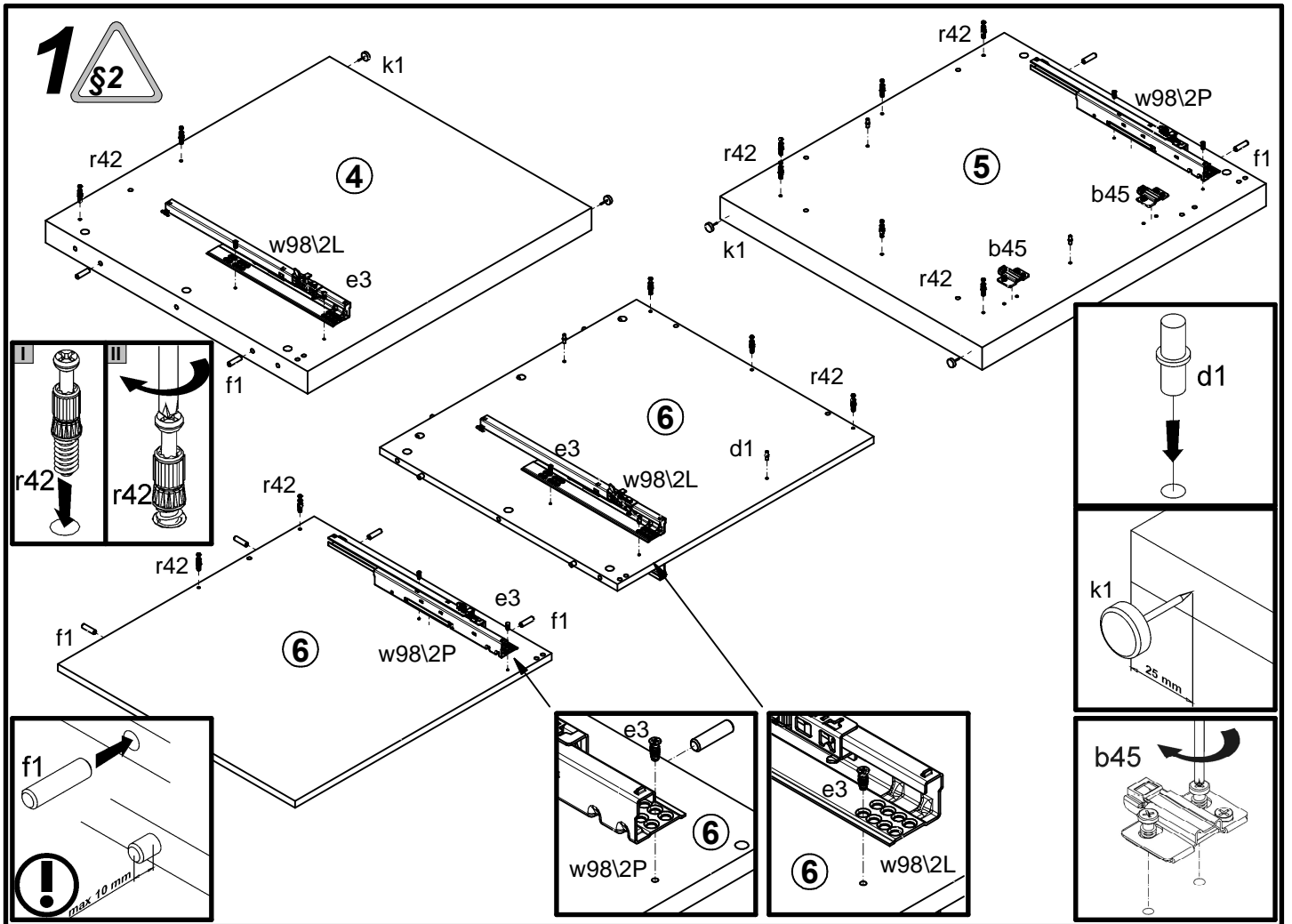
VENOM MIX

S192-BIU1D2S

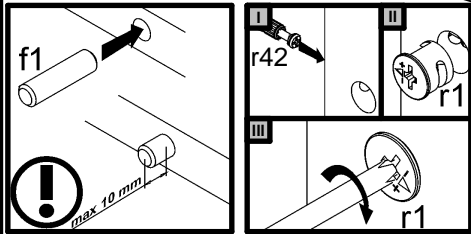
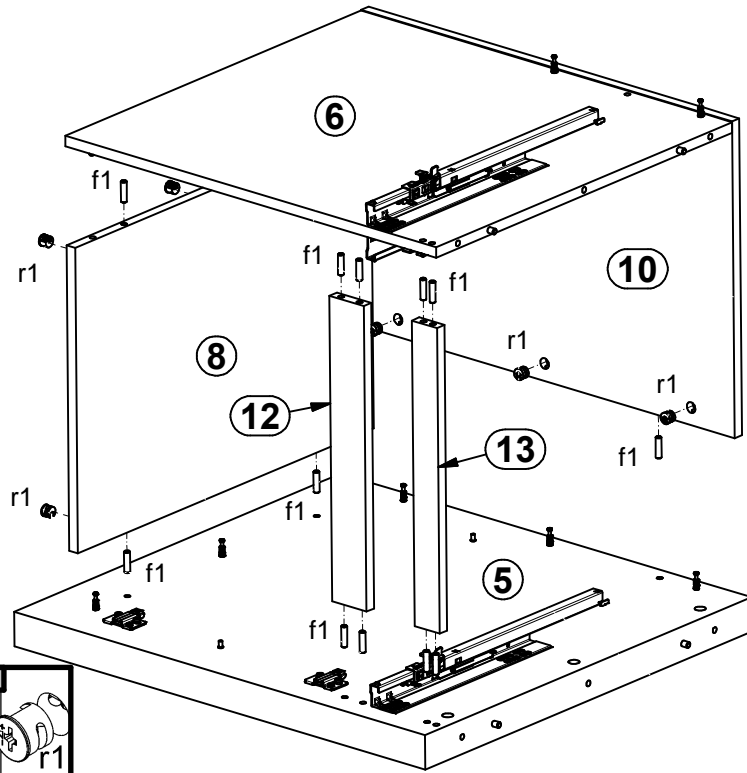
A	B	C	D	A	B	C	D		
1	S192-014	492	446	4/4	11	S192-406	831	360	2/4
2	S192-015	446	104	3/4	12	S192-407	434	60	2/4
3	S192-016	826	104	3/4	13	S192-408	434	44	2/4
4	S192-103	718	662	1/4	14	S192-409	831	44	2/4
5	S192-104	718	662	1/4	15	S192-901	403	506	2/4
6	S192-105	648	600	2/4	16	S192-902	800	506	2/4
7	S192-204	1380	664	2/4	17	ZT1-516	500	60	2/4
8	S192-301	434	600	2/4	18	ZT1-517	500	60	2/4
9	S192-302	433	595	2/4	19	ZT1-518	392	46	2/4
10	S192-405	648	450	2/4	20	ZT1-519	789	46	2/4



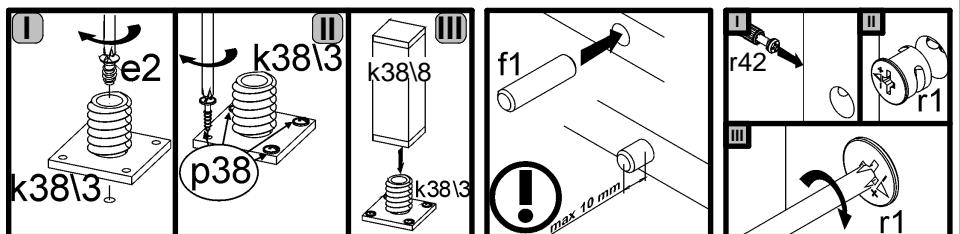
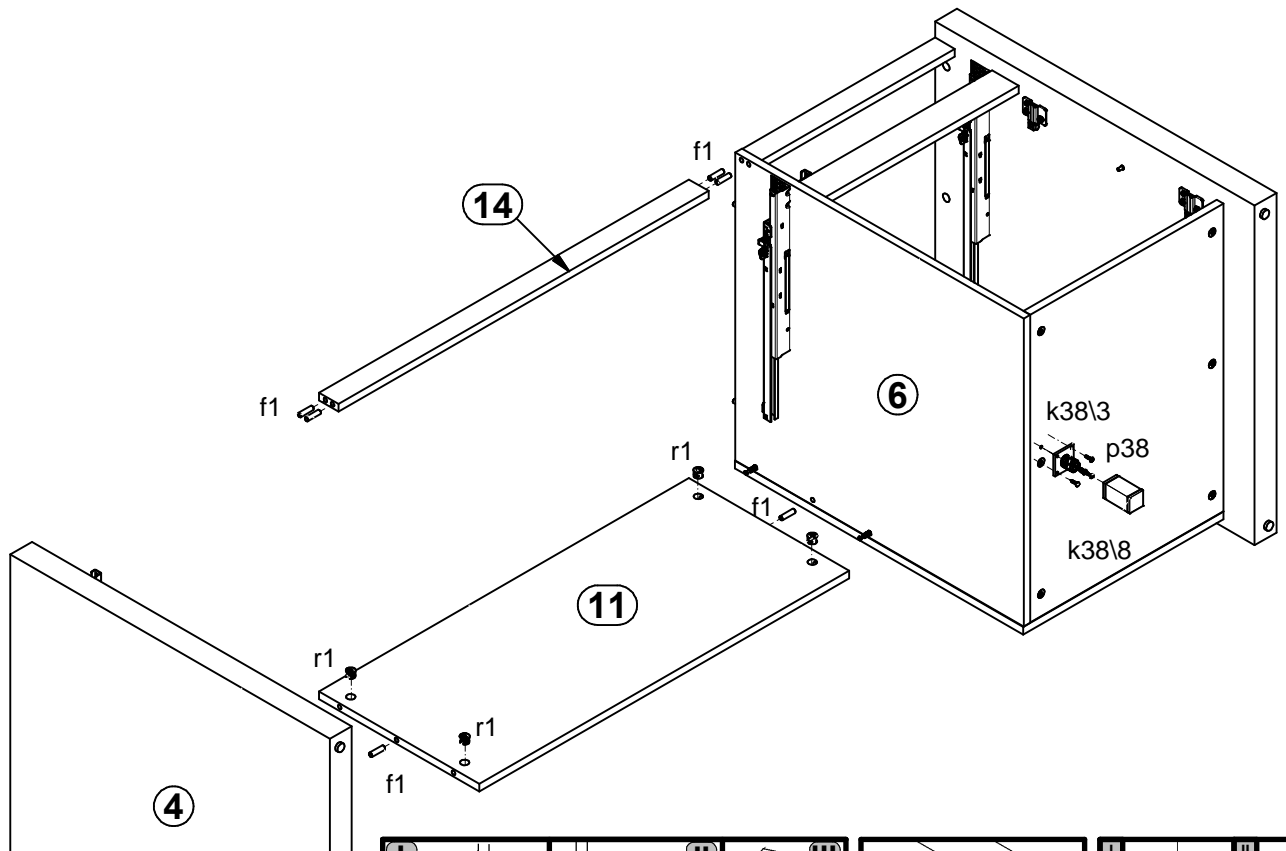
2x a101	2x b45	4x Ø5x17 mm d1	1x Ø6.3x13 mm e2	8x Ø6x13 mm e3	28x Ø8x30 mm f1	8x Ø6.5x40 mm f25	4x k1	1x k38\3
1x k38\8	1x Ø3.5x16 mm p25	1x Ø3.5x10 mm p35	11x Ø3.5x16 mm p38	4x Ø3.5x15 mm p51	25x Ø15x12 mm #16 r1	8x Ø12x10.5 mm #12 r15	33x r42	1x 500 mm t34
2x 510 mm w98\2L	2x 510 mm w98\2P	6x Ø16 s2						



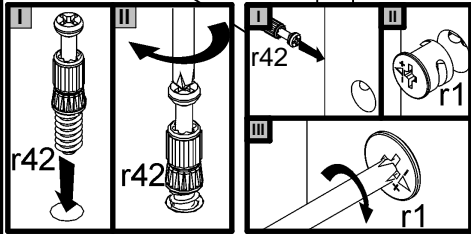
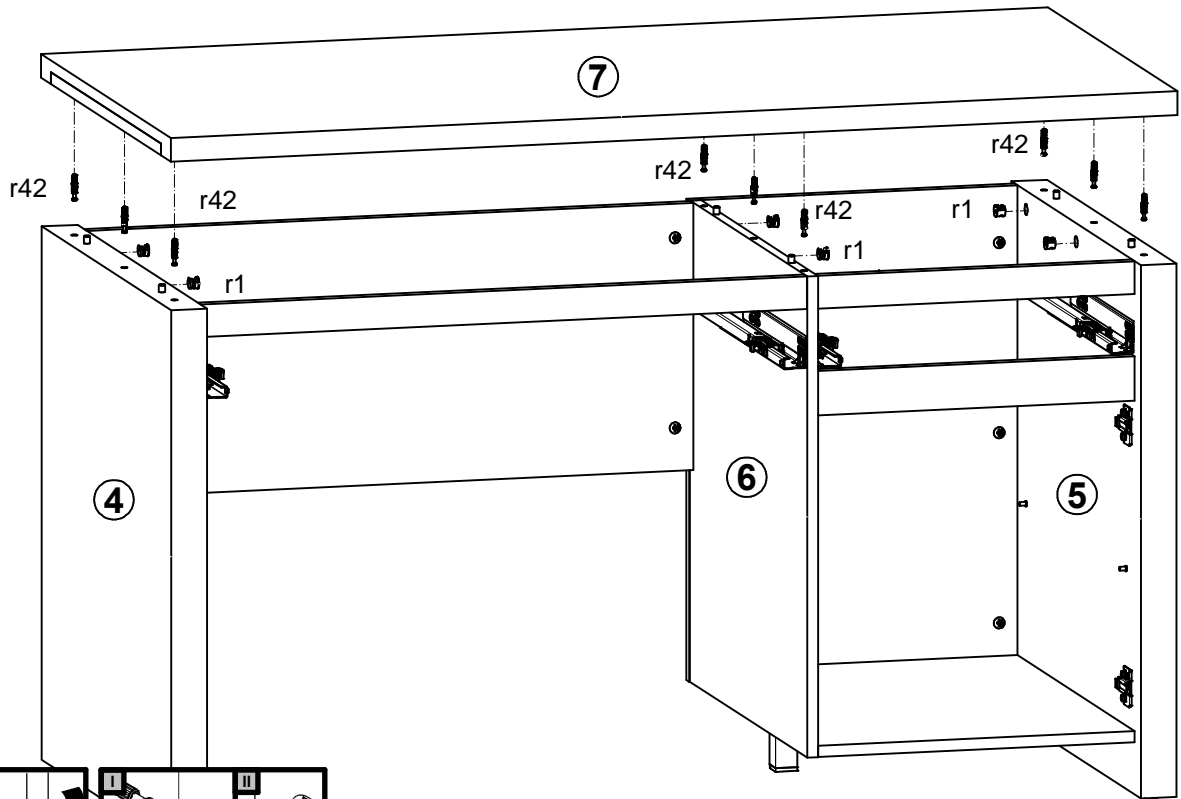
3



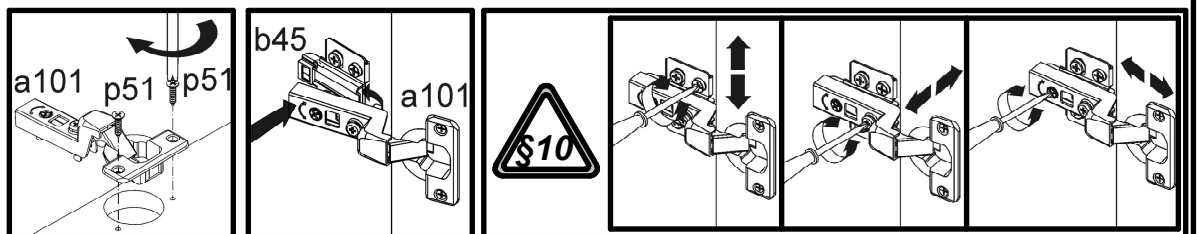
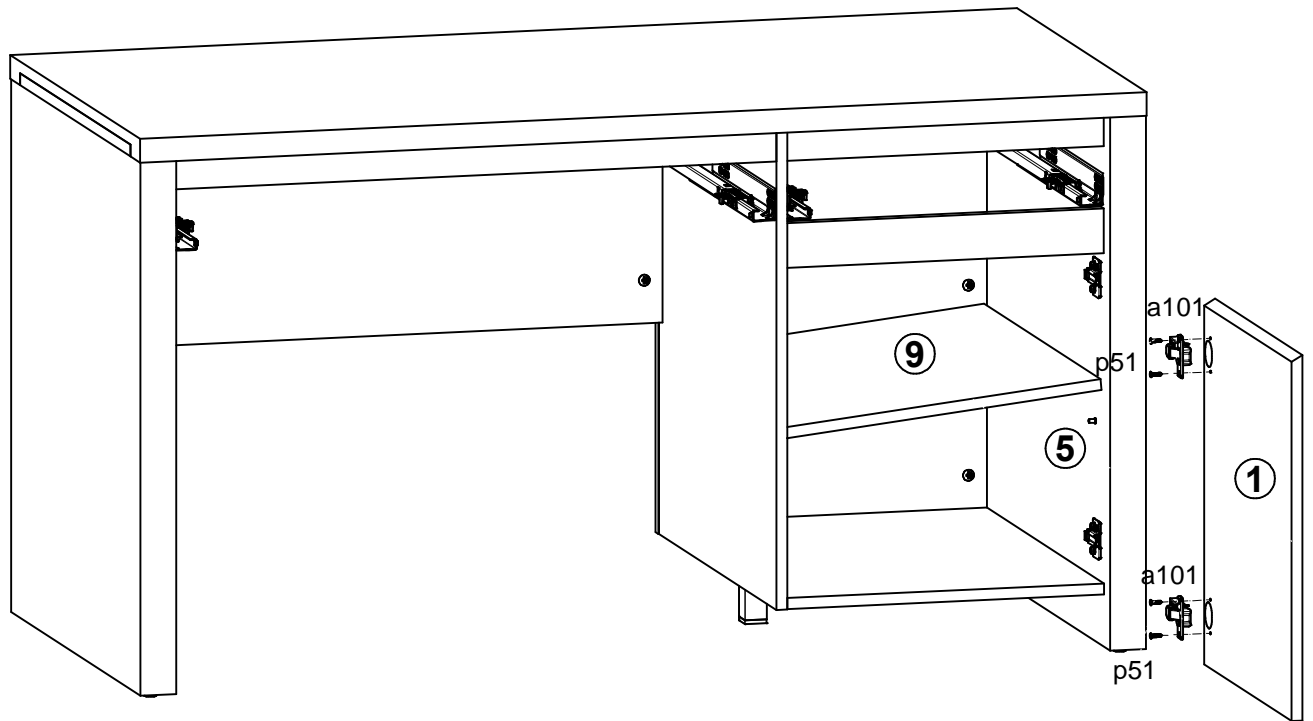
4



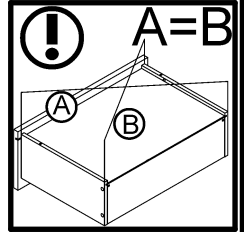
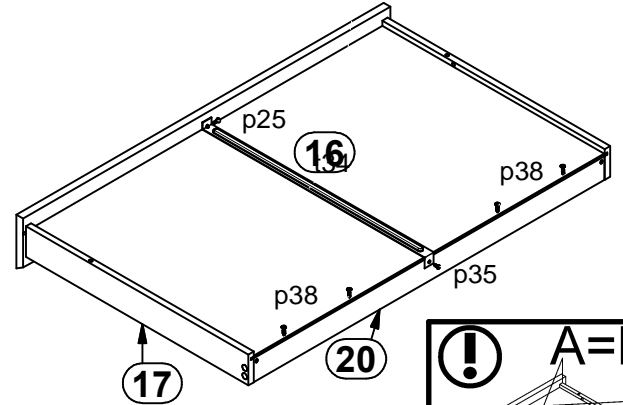
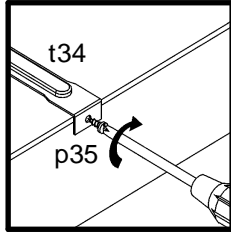
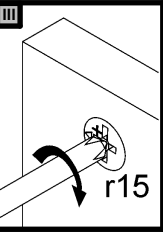
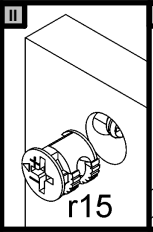
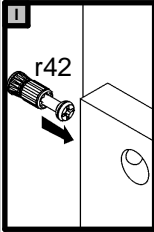
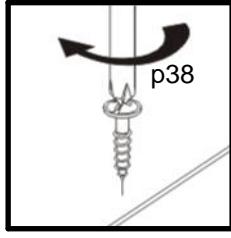
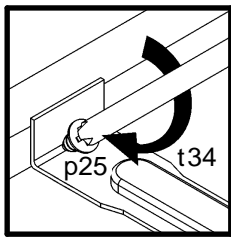
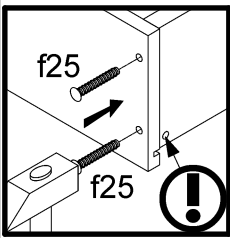
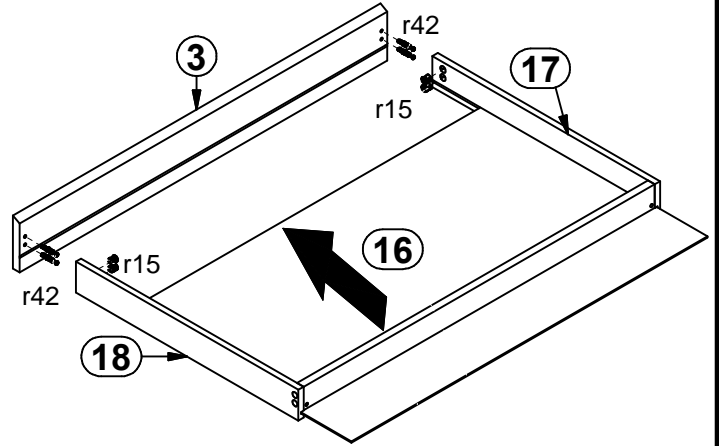
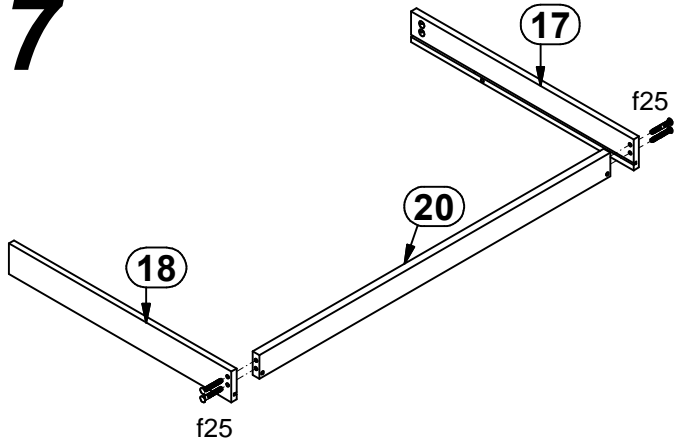
5



6



7



8

