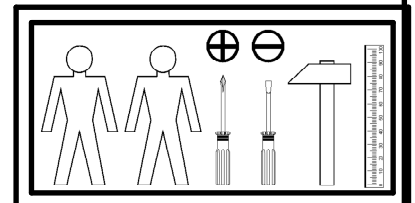
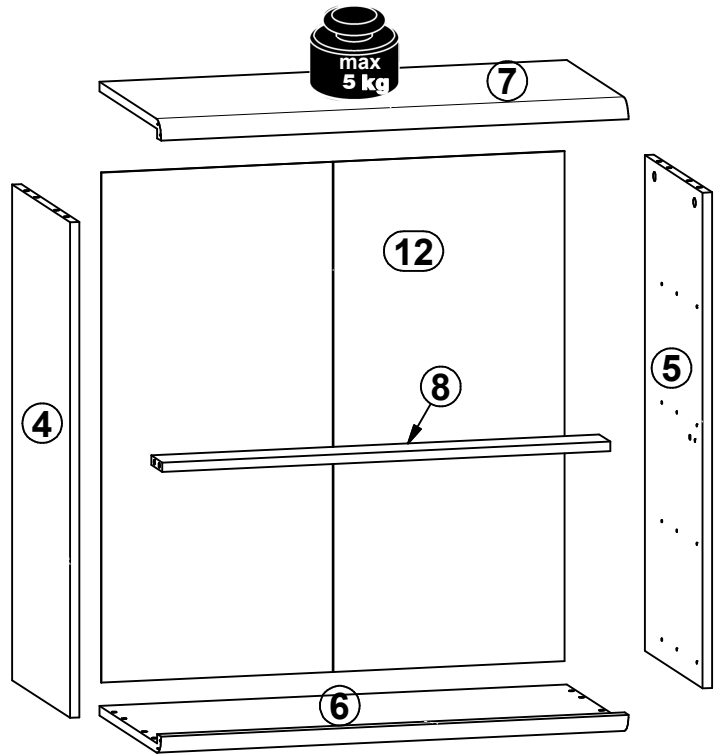
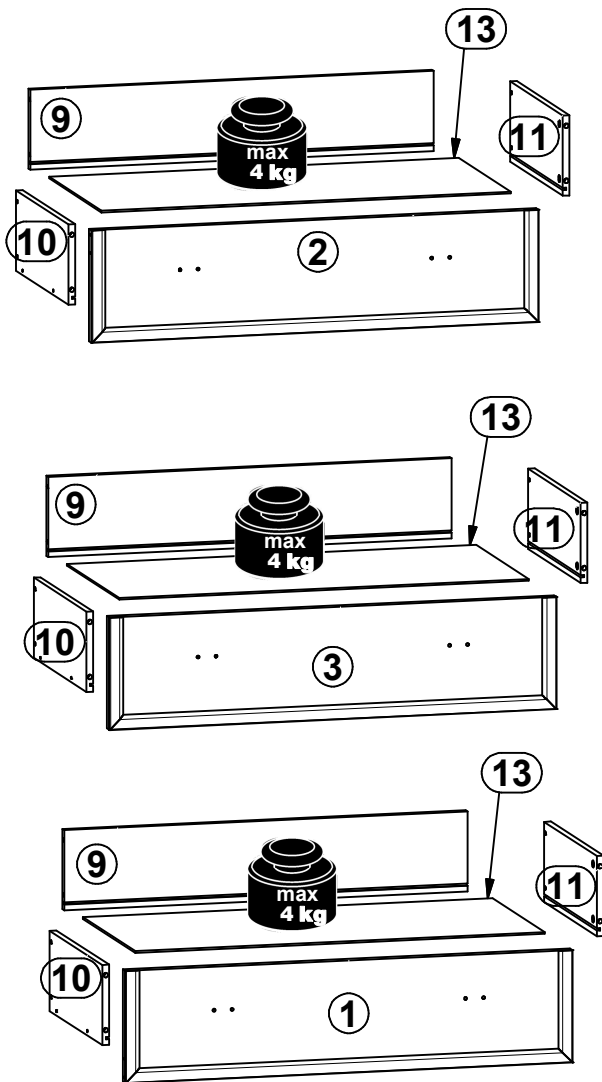
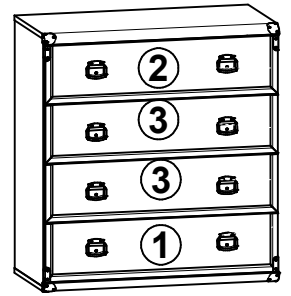
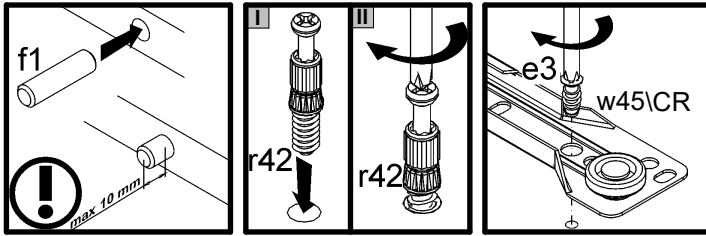
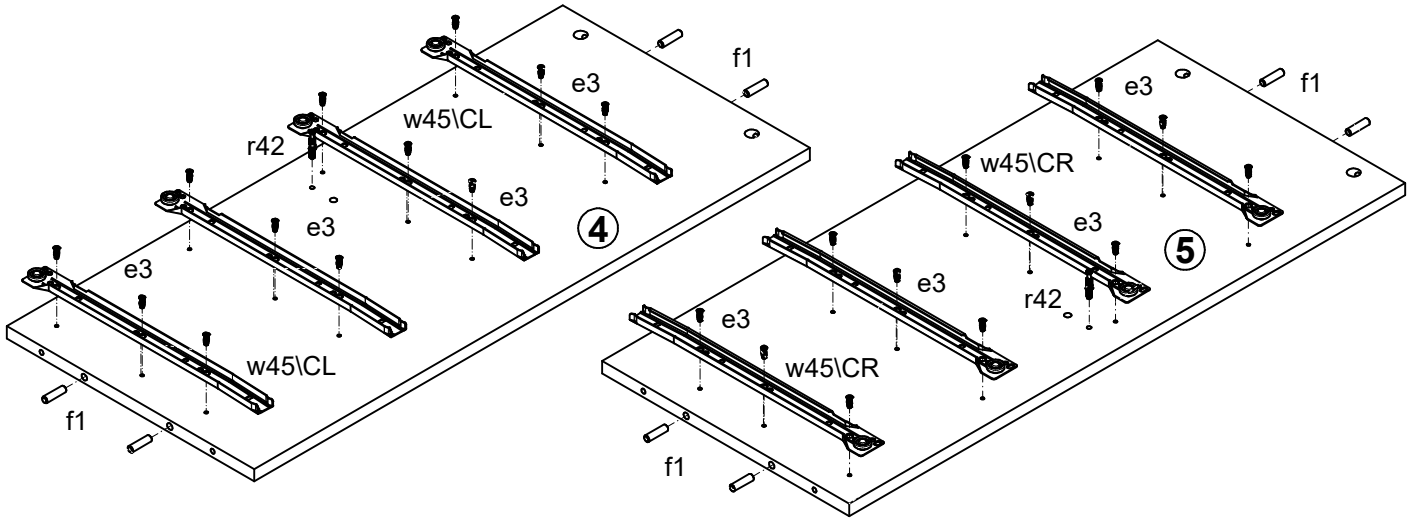


A	B	C	D	
1	S31-002	796	196	3/3
2	S31-003	796	196	3/3
3	S31-006	796	196	3/3
4	S31-109 A	832	370	1/3
5	S31-110 A	832	370	1/3
6	S31-207	800	395	2/3
7	S31-208	800	395	2/3
8	S31-431	767	70	1/3
9	S31-503	718	140	1/3
10	S31-504	350	140	1/3
11	S31-505	350	140	1/3
12	S31-909	856	793	1/3
13	S31-910	729	348	1/3

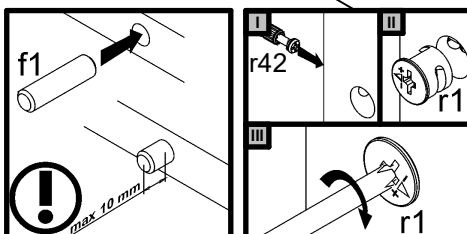
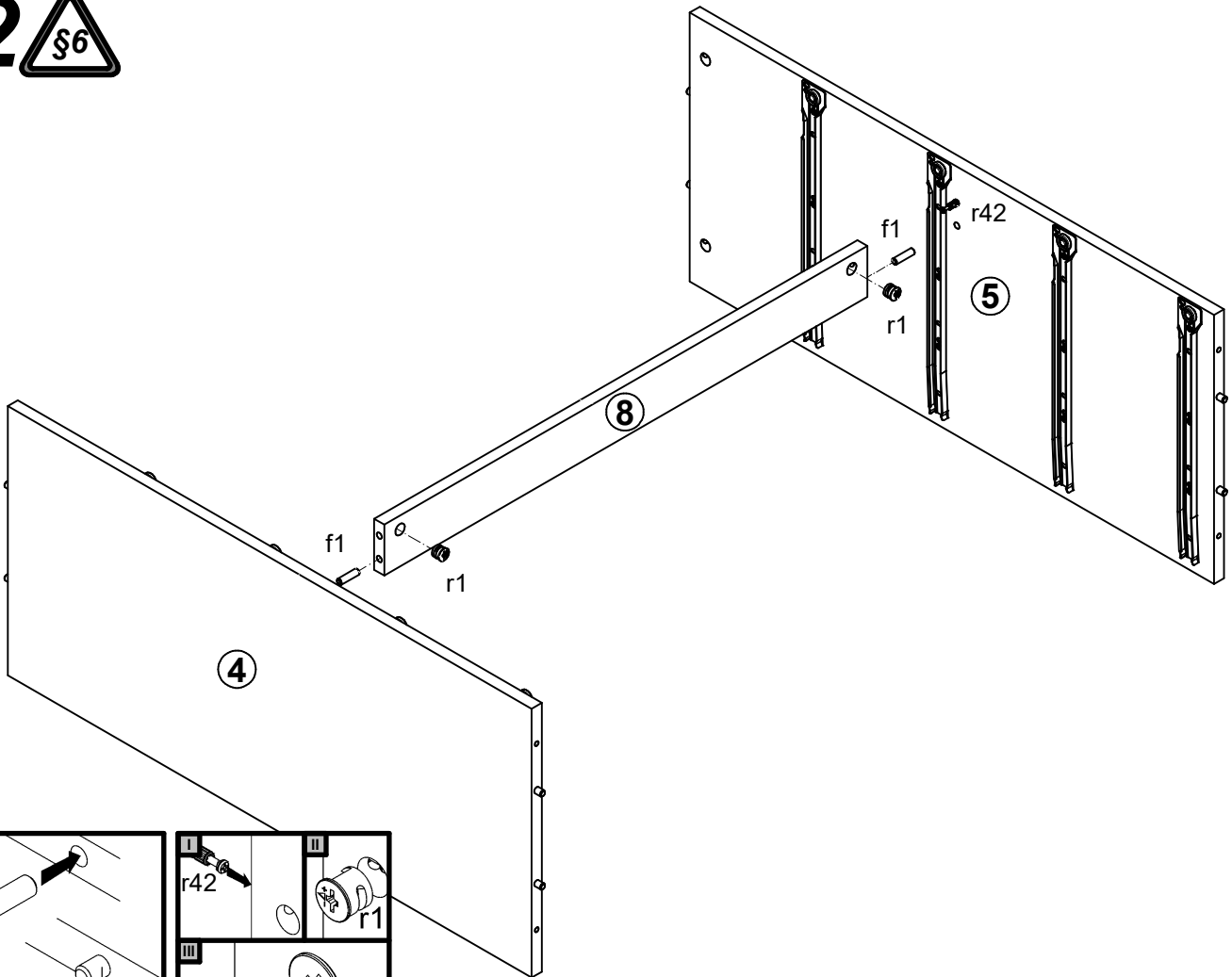


8x c158	4x Ø7x50 mm e1	16x Ø5x9 mm e19	24x Ø6x13 mm e3	10x Ø8x30 mm f1	16x Ø6.5x40 mm f25	16x M4x22 mm j30	4x Ø15 k22	35x l1
4x l27	2x l28/L	2x l28/P	8x Ø3.5x16 mm p25	16x Ø3x12 mm p83	6x Ø15x12 mm #16 r1	16x Ø12x10.5 mm #12 r15	22x 20/11 r42	4x 333 mm t19
4x 350 mm w45/CL	4x 350 mm w45/CR	4x 350 mm w45/DL	4x 350 mm w45/DR	2x Ø16 s2	1x 4 mm z1			
							1x n26/l1	1x Ø3.5x16 mm p38

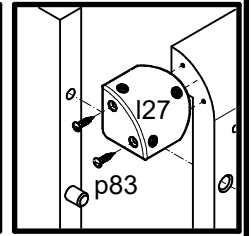
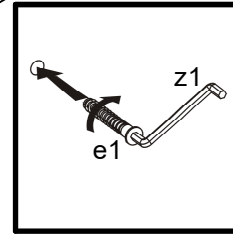
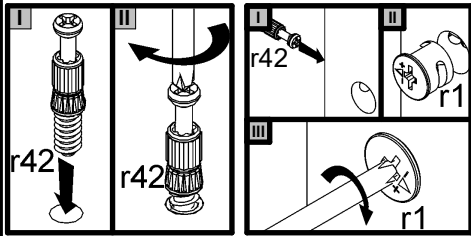
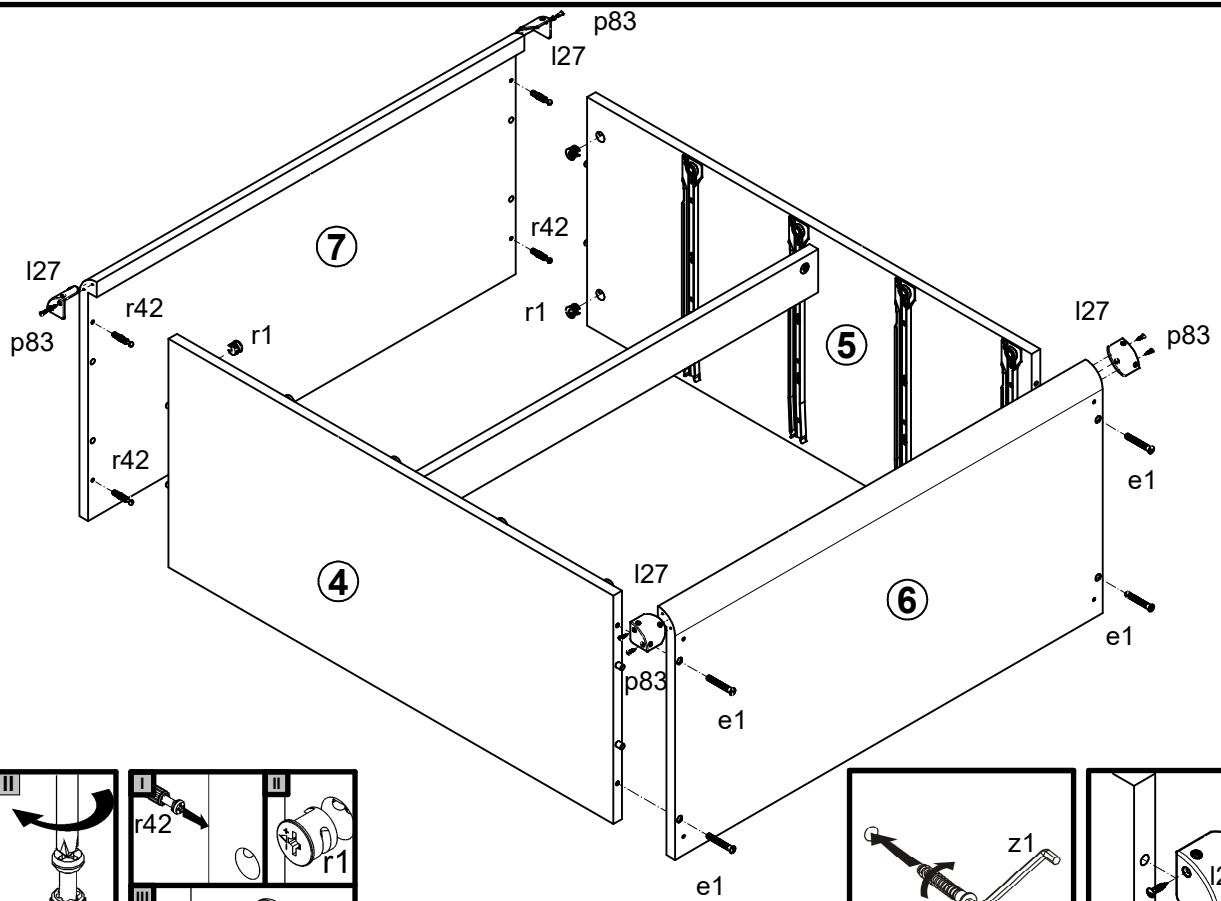
1



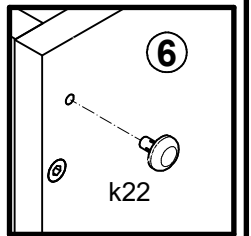
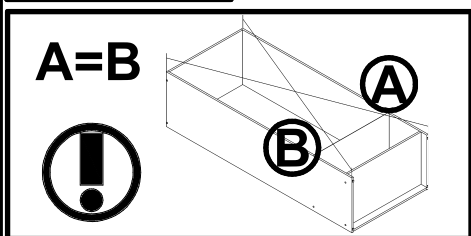
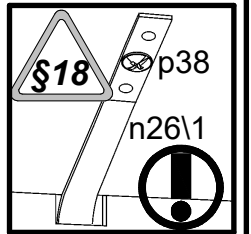
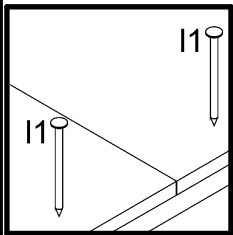
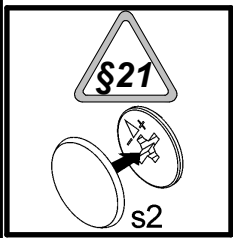
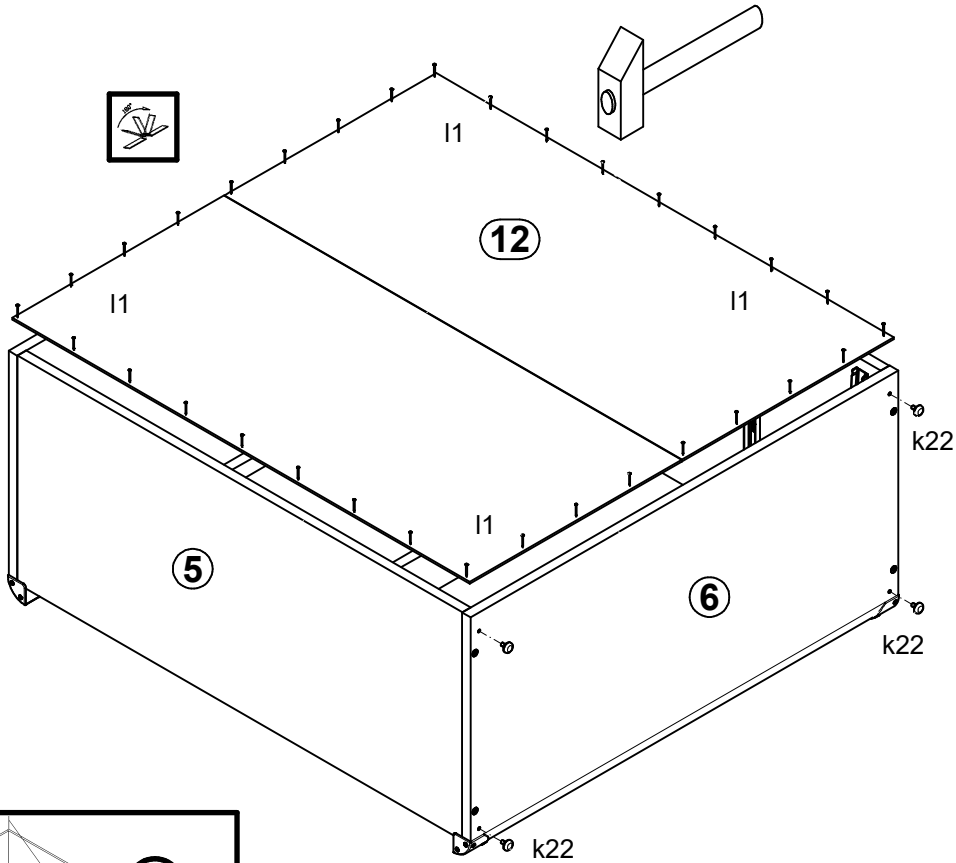
2



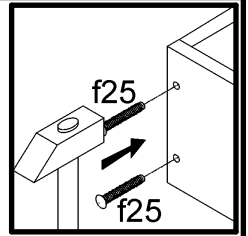
3



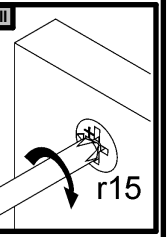
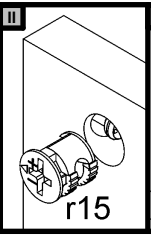
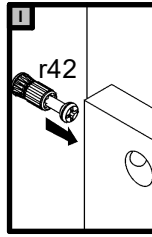
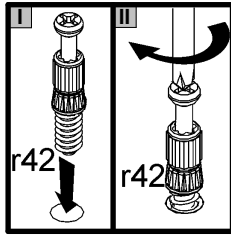
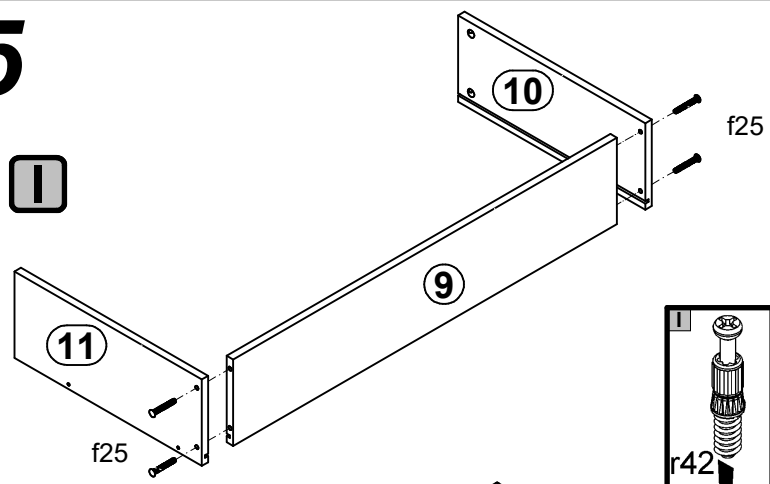
4



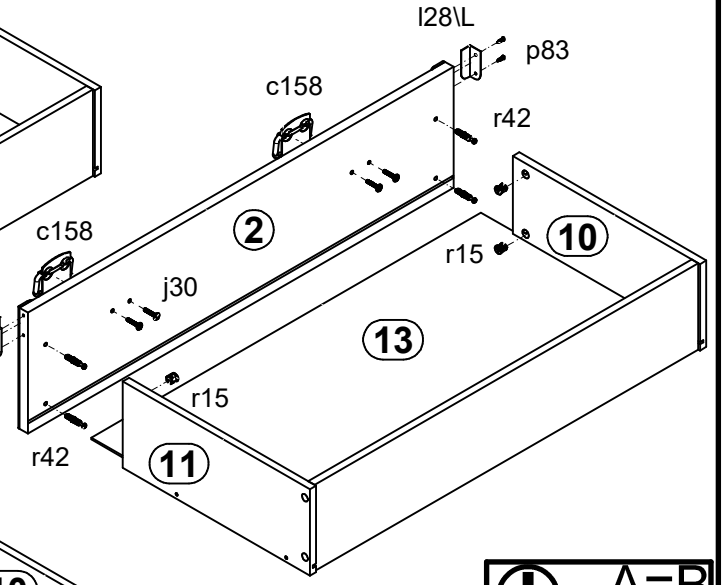
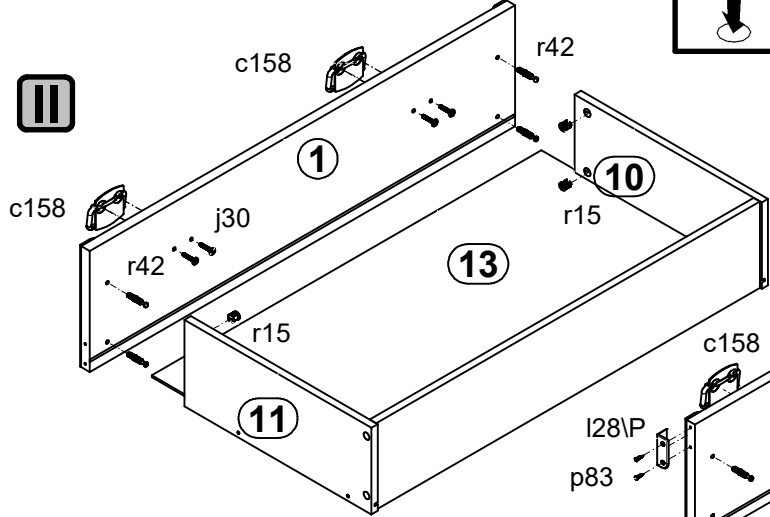
5



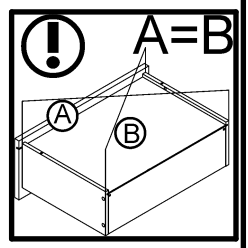
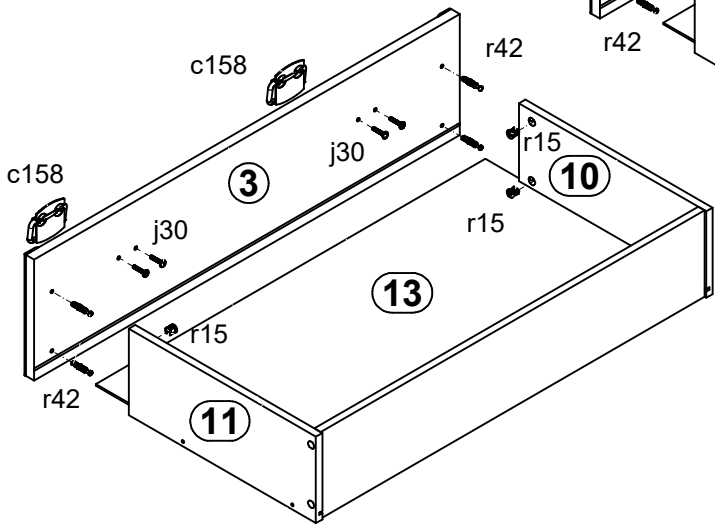
I



II



III



IV

