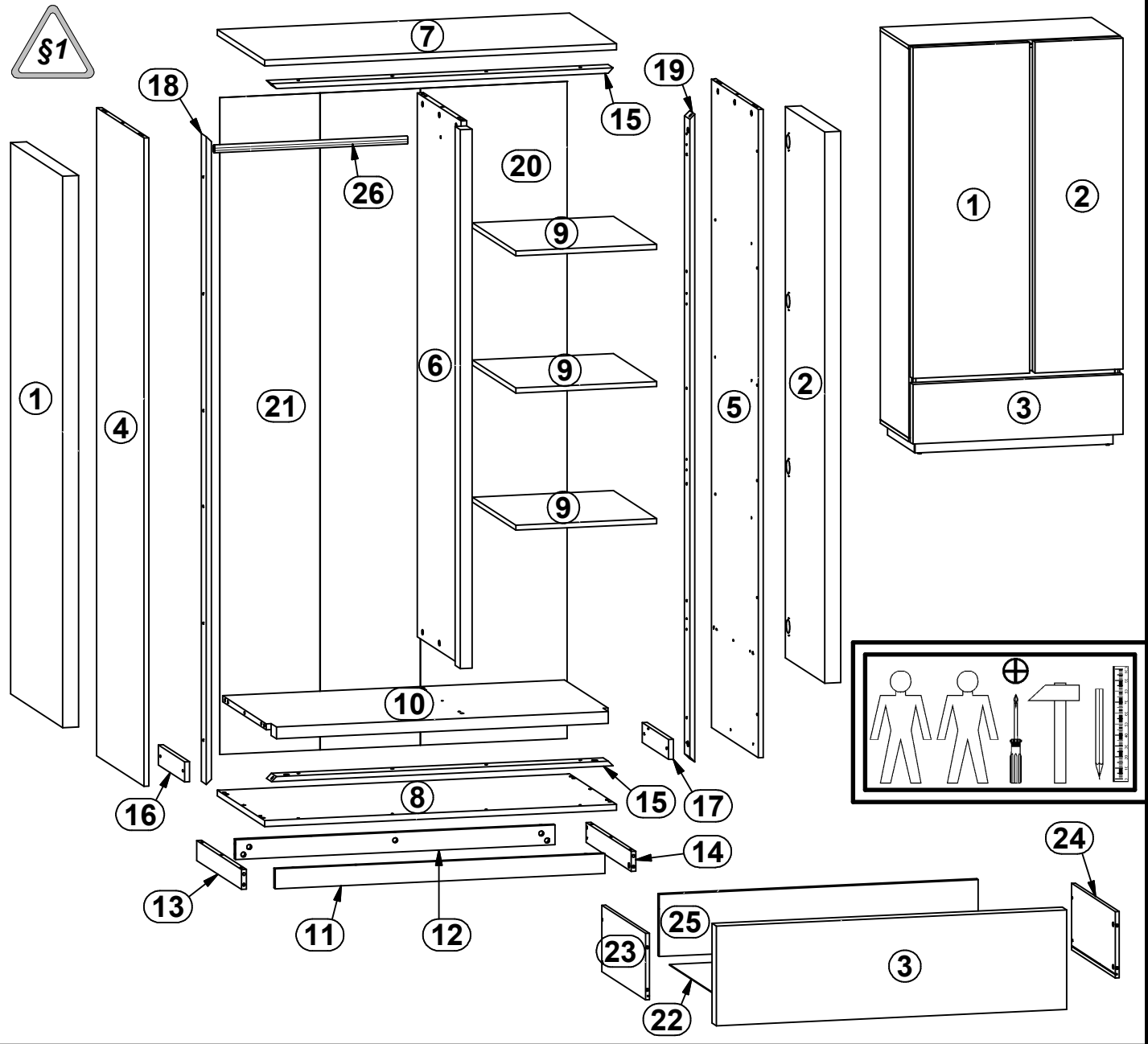
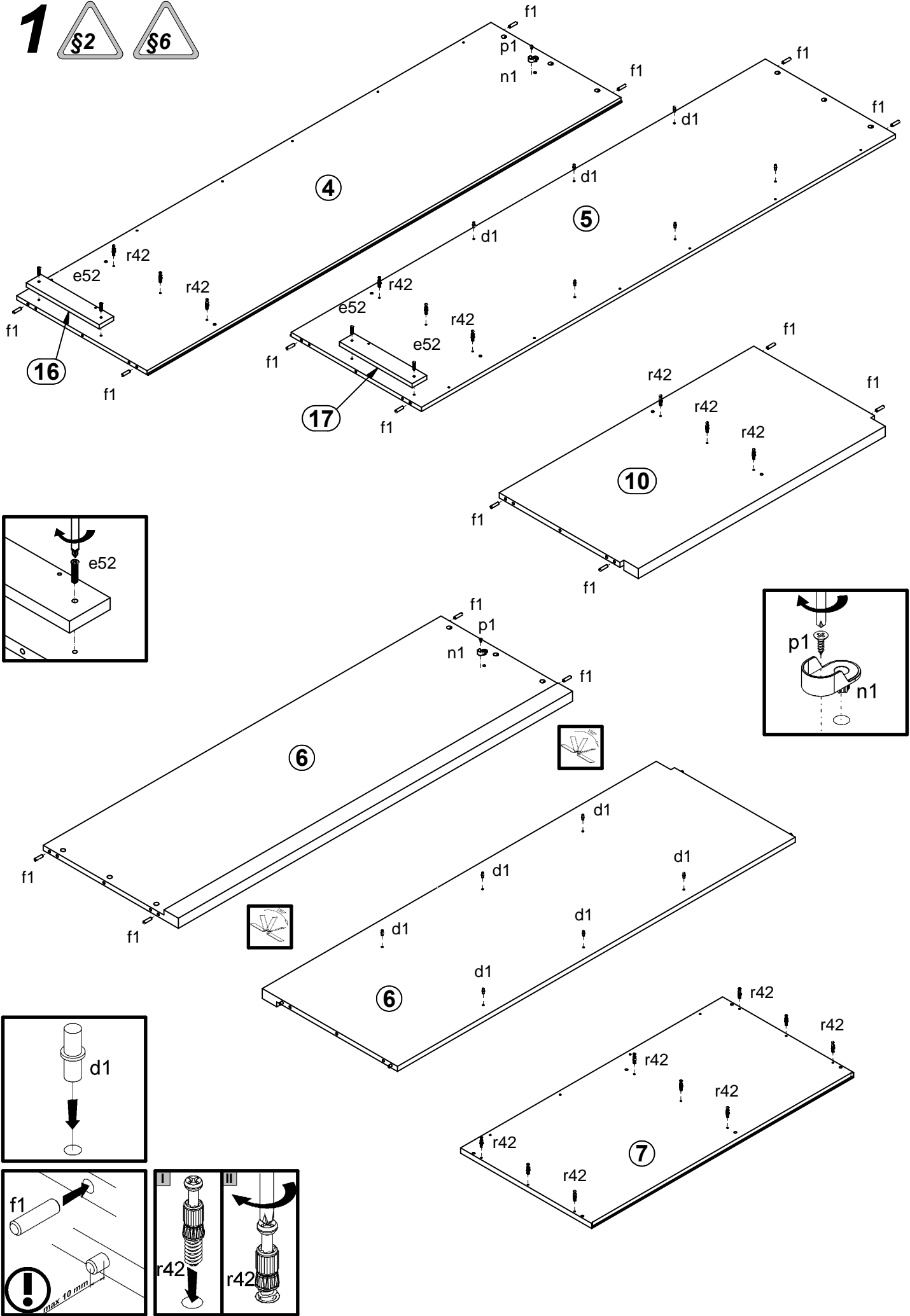


A	B	C	D	A	B	C	D	A	B	C	D			
1	S317-005	1660	596	5/6	10	S317-308	1048	557	3/6	19	S317-428	1951	60	4/6
2	S317-006	1660	450	5/6	11	S317-419	1010	60	3/6	20	S317-906	1978	450	1/6
3	S317-007	1074	300	6/6	12	S317-420	979	60	2/6	21	S317-907	1978	615	1/6
4	S317-108	1952	540	1/6	13	S317-421	513	60	3/6	22	S317-908	988	505	3/6
5	S317-109	1952	540	1/6	14	S317-422	513	60	3/6	23	ZQ2-515	500	200	3/6
6	S317-110	1638	557	2/6	15	S317-423	1047	60	4/6	24	ZQ2-516	500	200	3/6
7	S317-207	1079	540	3/6	16	S317-425	300	60	2/6	25	ZQ2-517	978	187	3/6
8	S317-208	1079	540	3/6	17	S317-426	300	60	2/6	26	dr-592	592	22	2/6
9	S317-307	432	496	2/6	18	S317-427	1951	60	4/6					

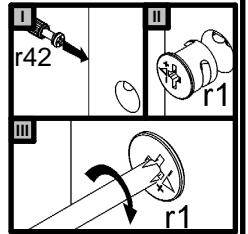
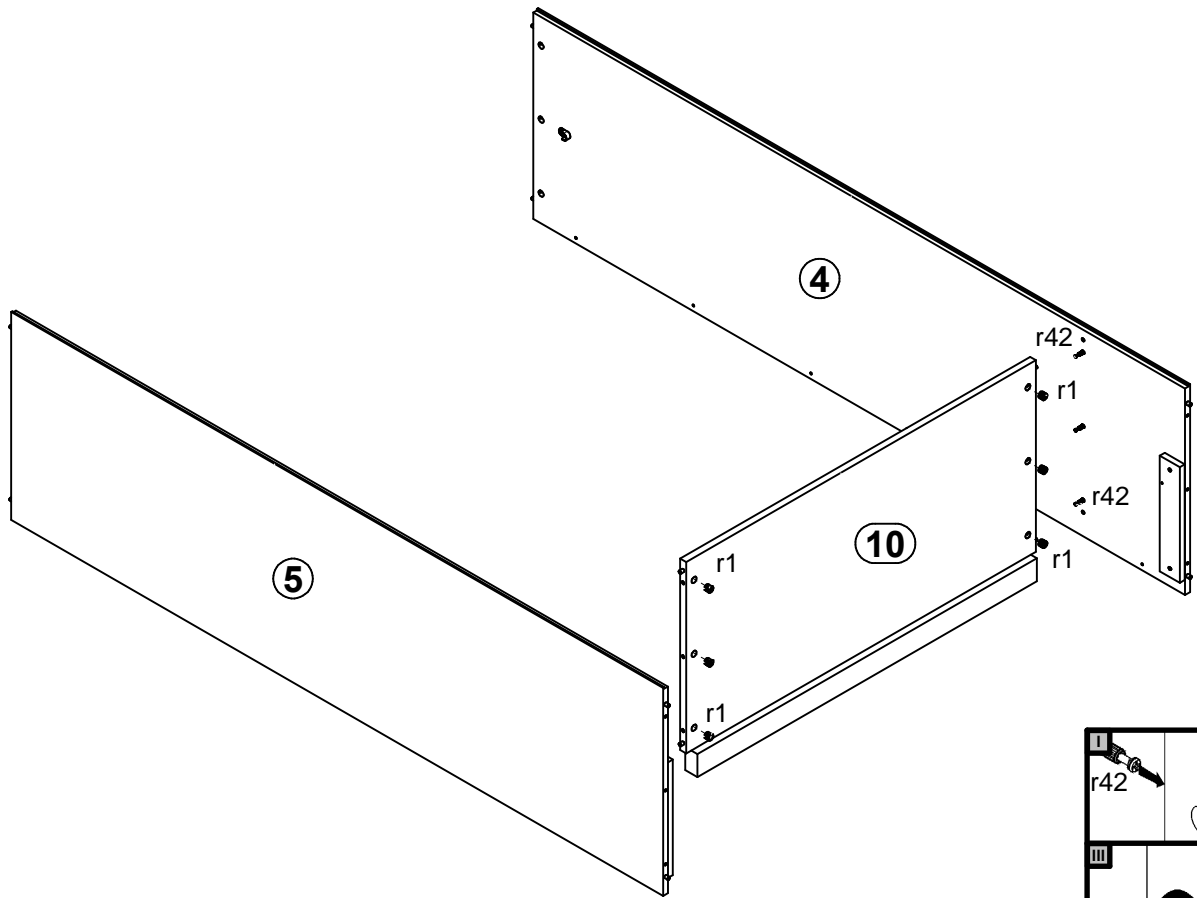


4x K2 Ø40 a128	4x 440 a129	8x H=0 b75	12x Ø5x17 mm d1	6x Ø7x50 mm e1	4x Ø6x13 mm e3	24x Ø6.3x26 mm e52	30x Ø8x30 mm f1	4x Ø6.5x40 mm f25
4x k1	110x l1	2x h=22mm n1	2x Ø3.5x13 mm p1	1x Ø3.5x16 mm p25	1x Ø3.5x10 mm p35	7x Ø3.5x16 mm p38	16x Ø3.5x15 mm p51	36x Ø15x12 mm #16 r1
4x Ø12x10.5 mm #12 r15	4x 39/39 r38	32x 20/11 r42	1x 500 mm t34	1x 500 mm w128\L	1x 500 mm w128\P	14x Ø16 s2	1x n26\1	1x Ø3.5x16 mm p38
1x z1								

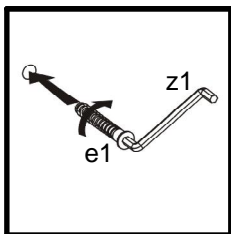
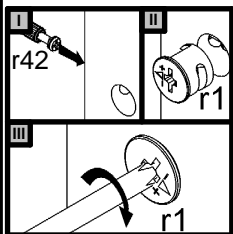
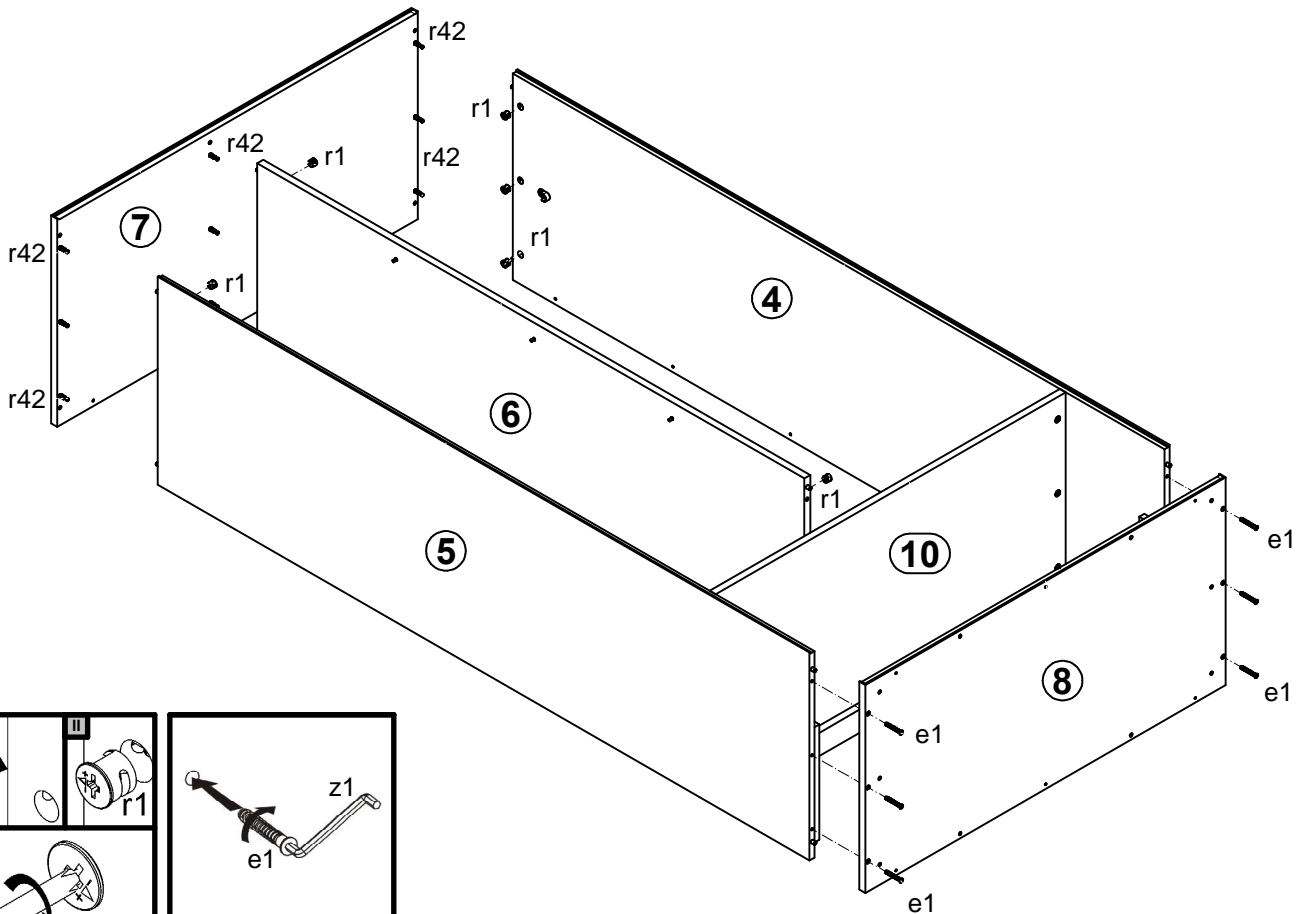
1



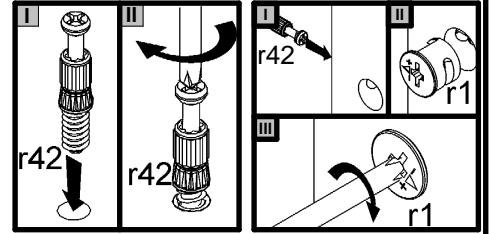
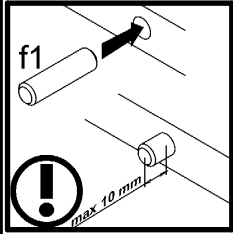
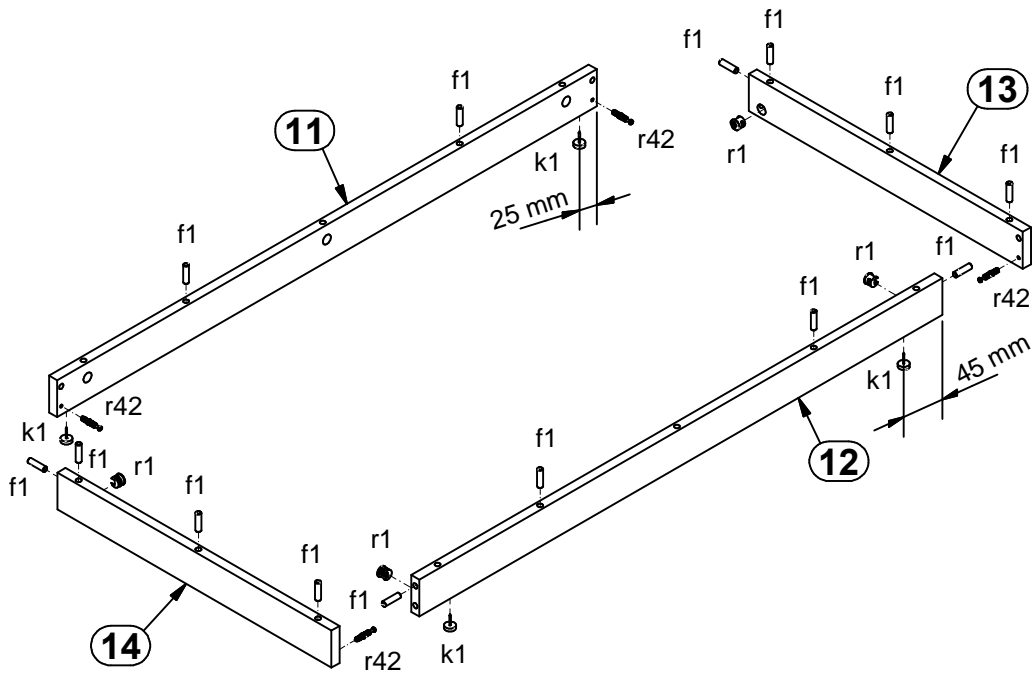
2



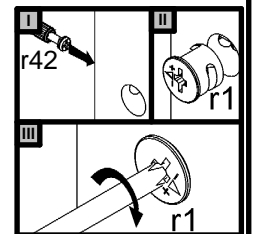
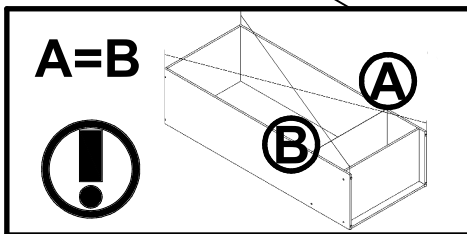
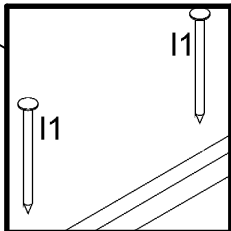
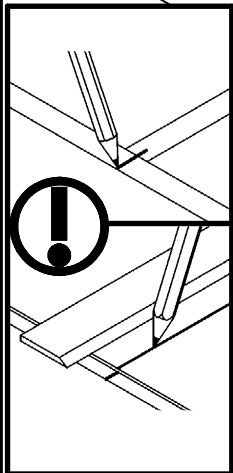
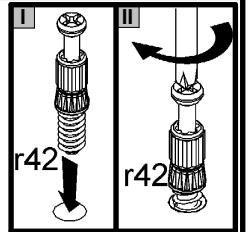
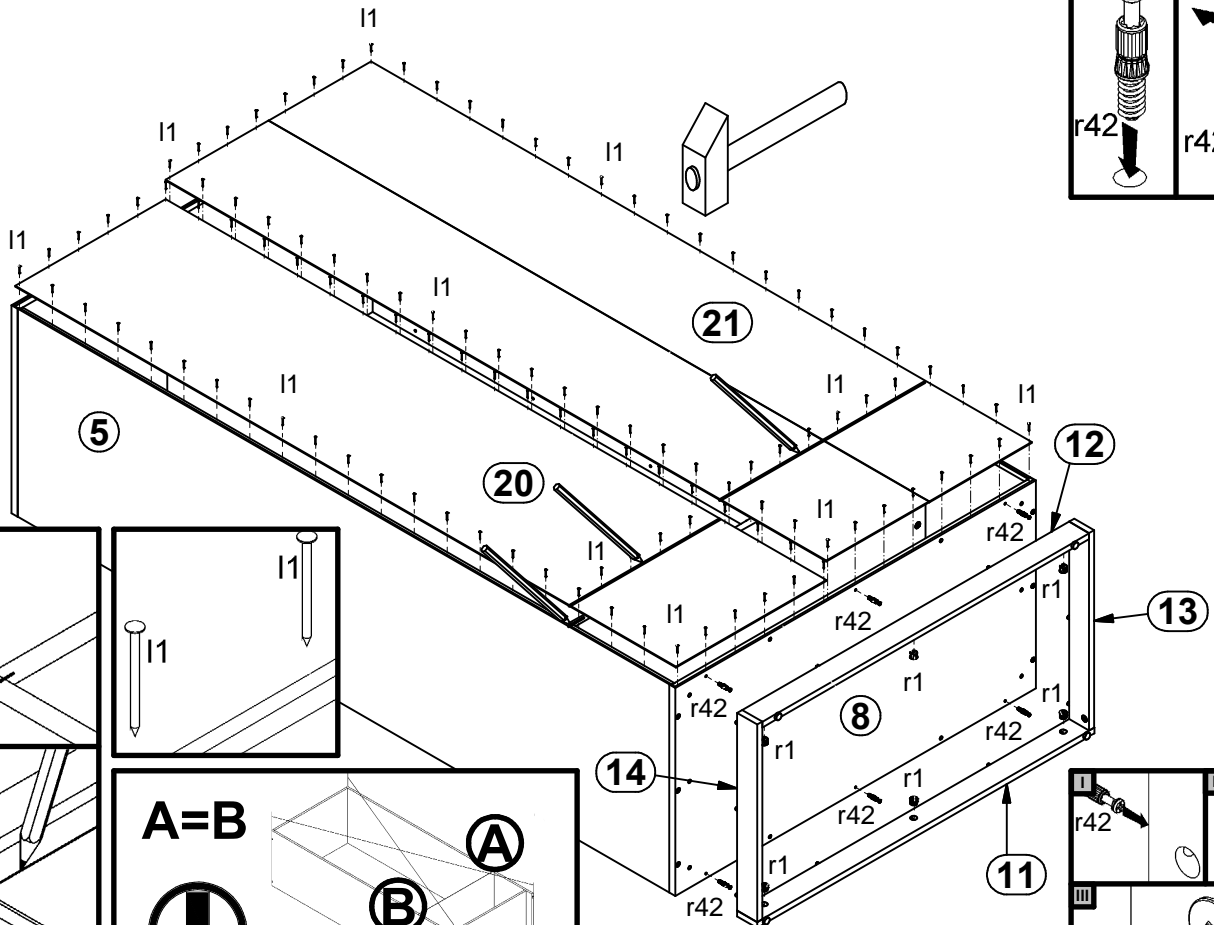
3



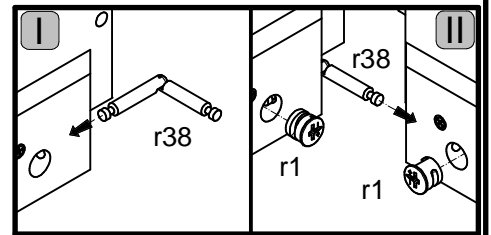
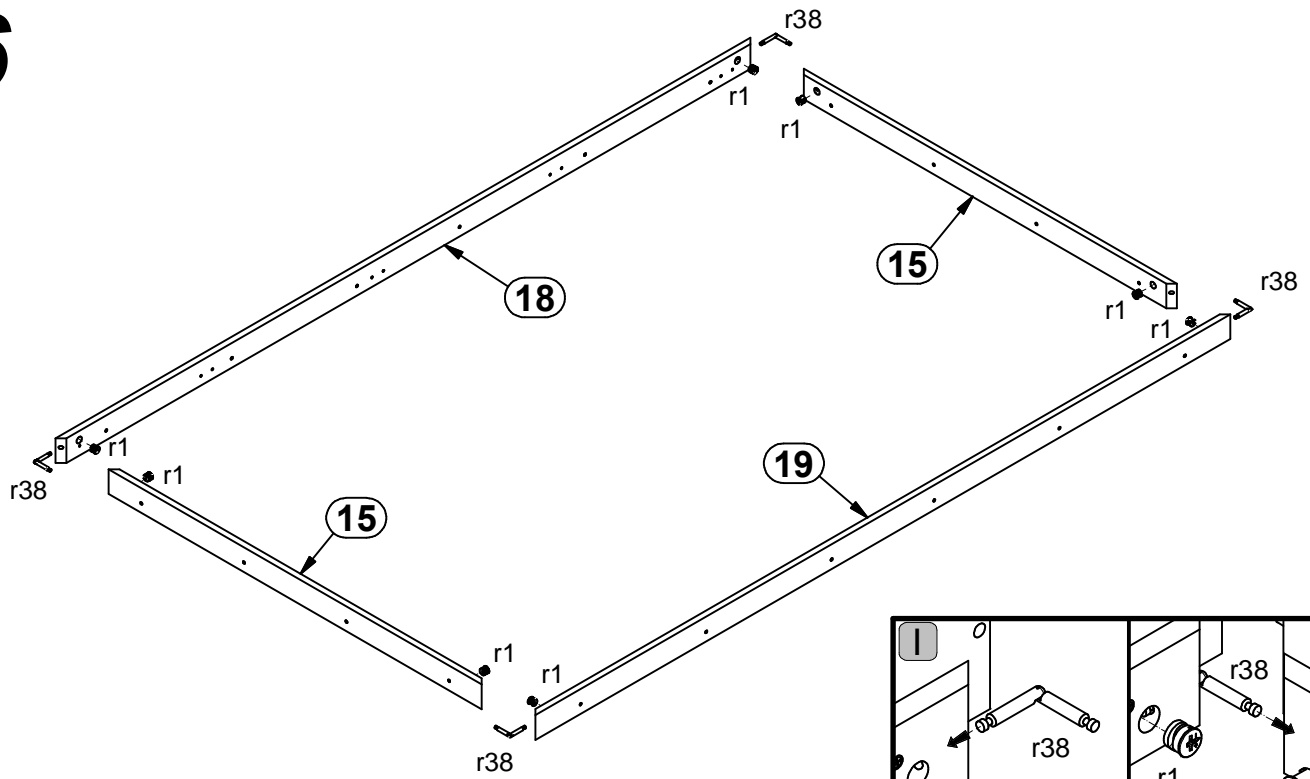
4



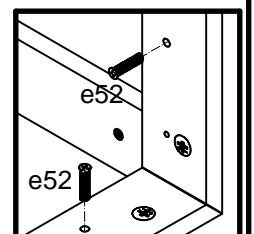
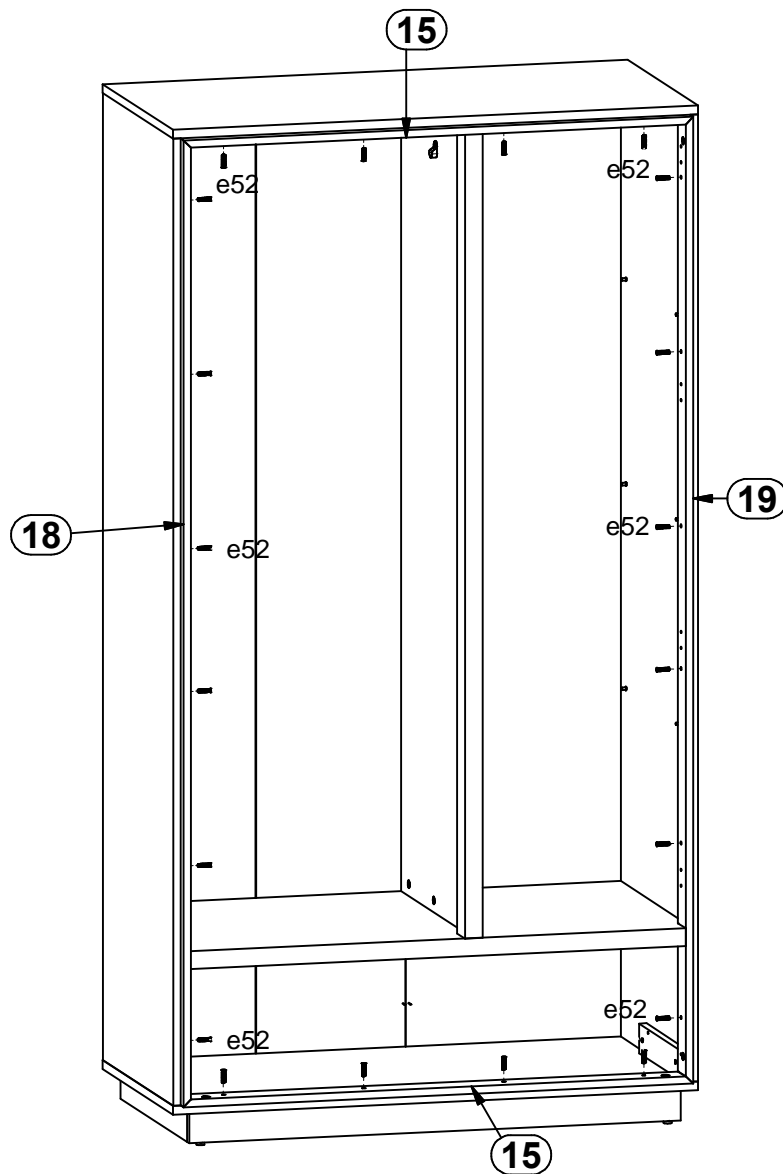
5



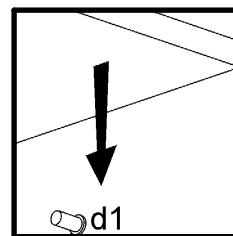
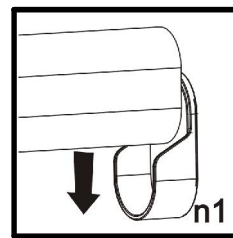
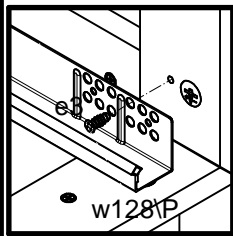
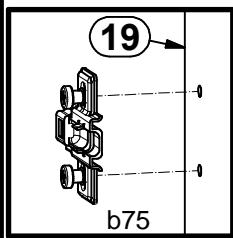
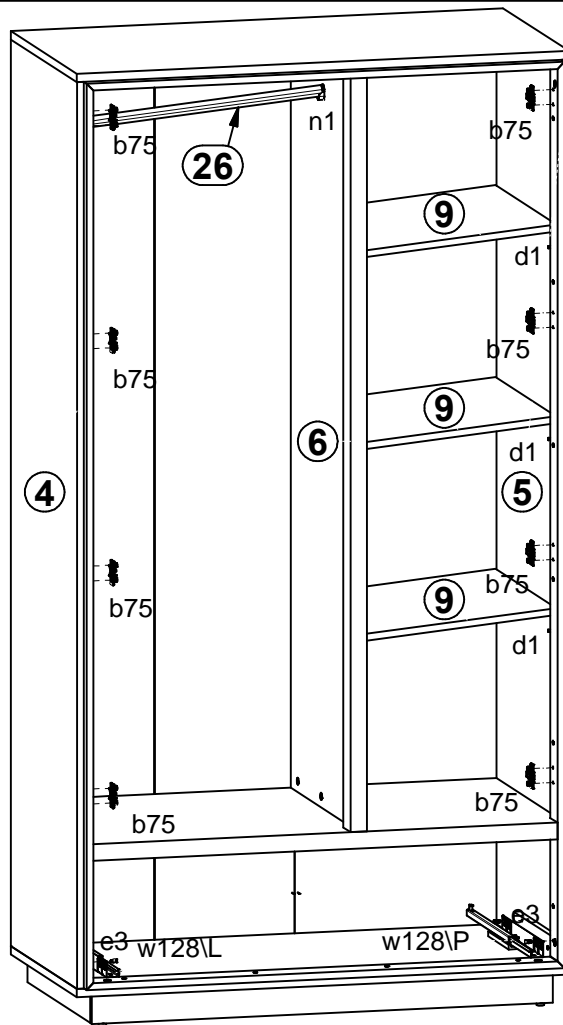
6



7



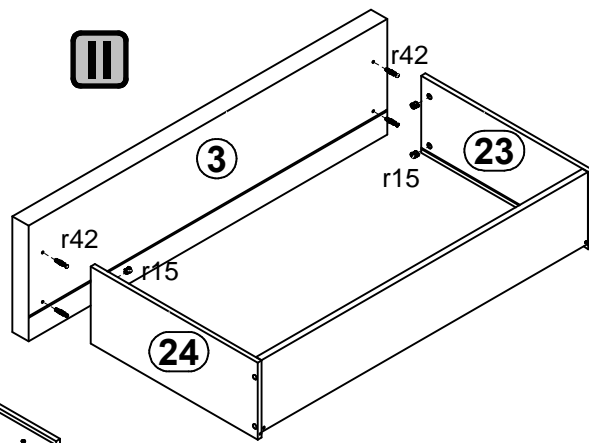
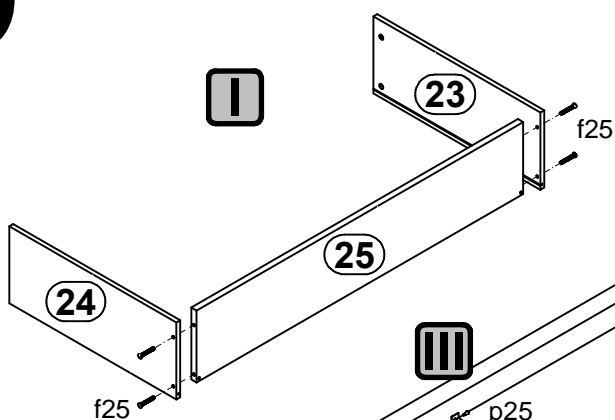
8



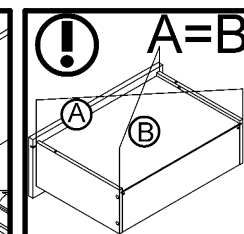
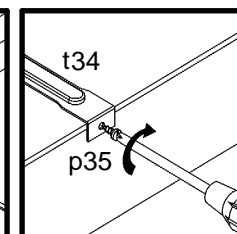
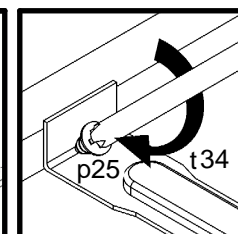
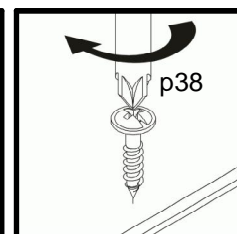
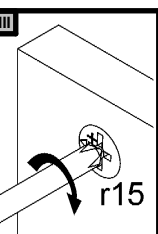
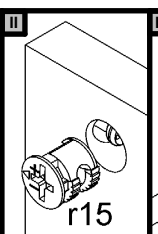
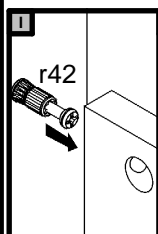
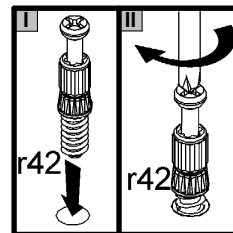
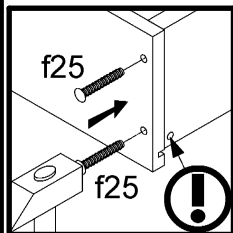
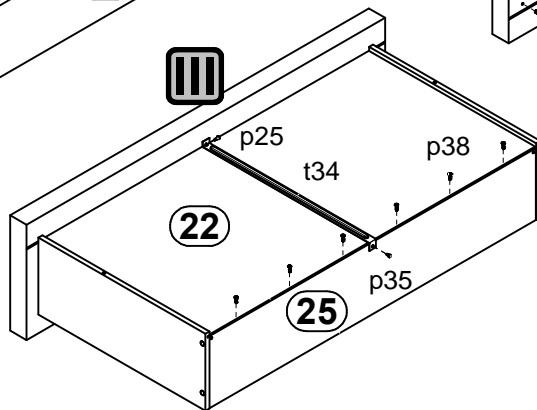
9

I

II



III



10

