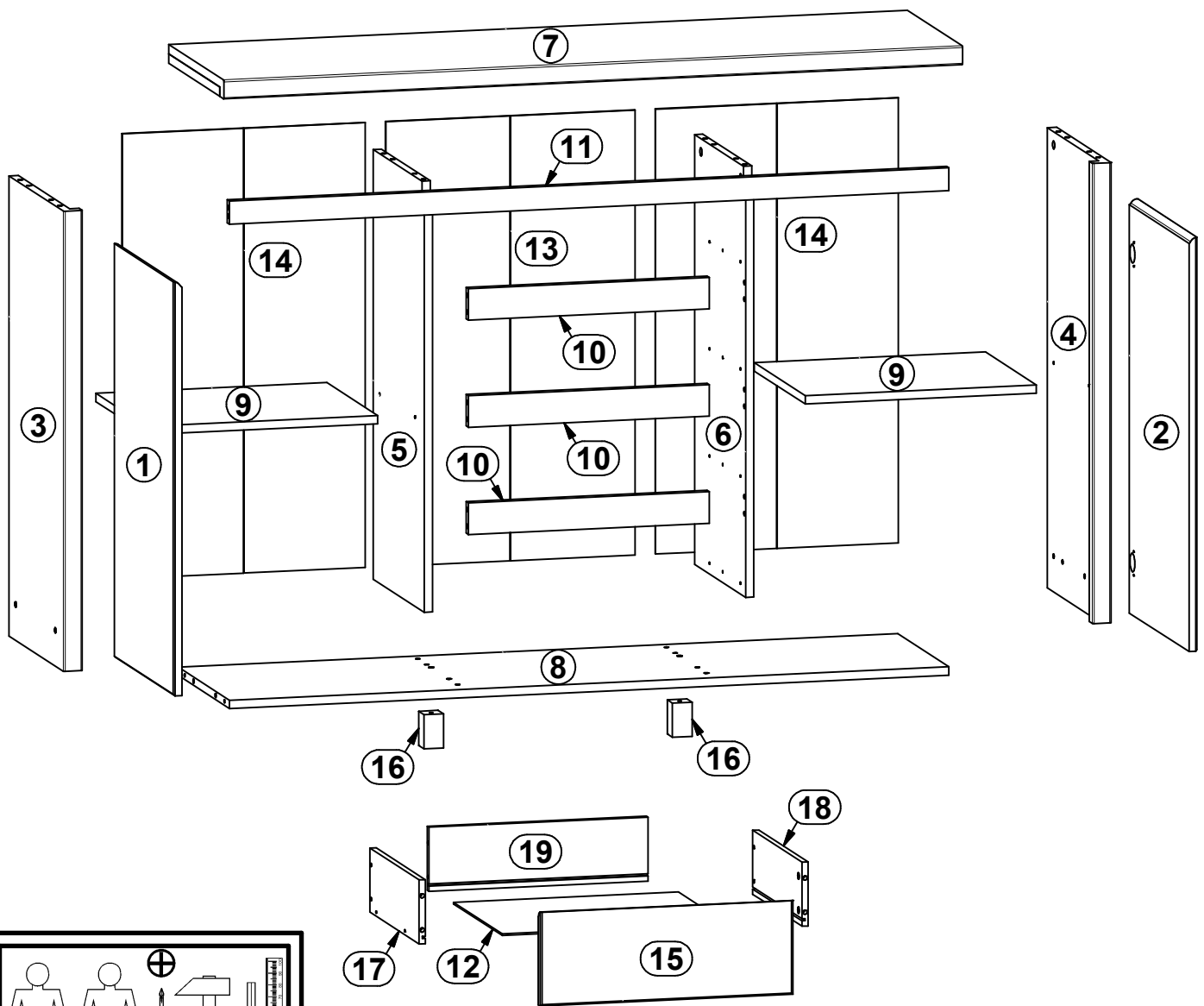
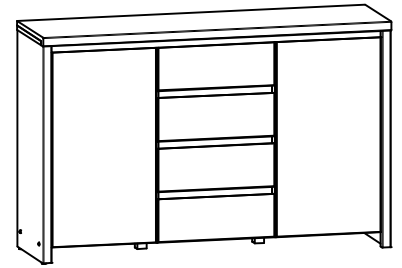


# KASPIAN

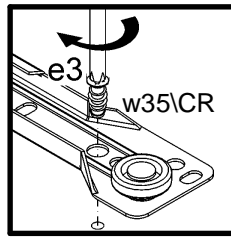
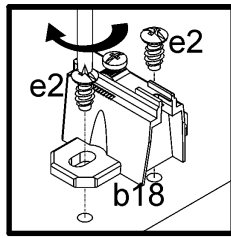
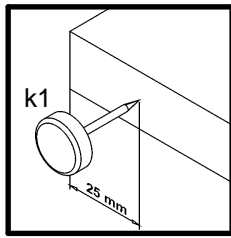
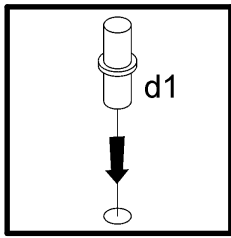
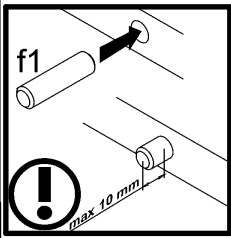
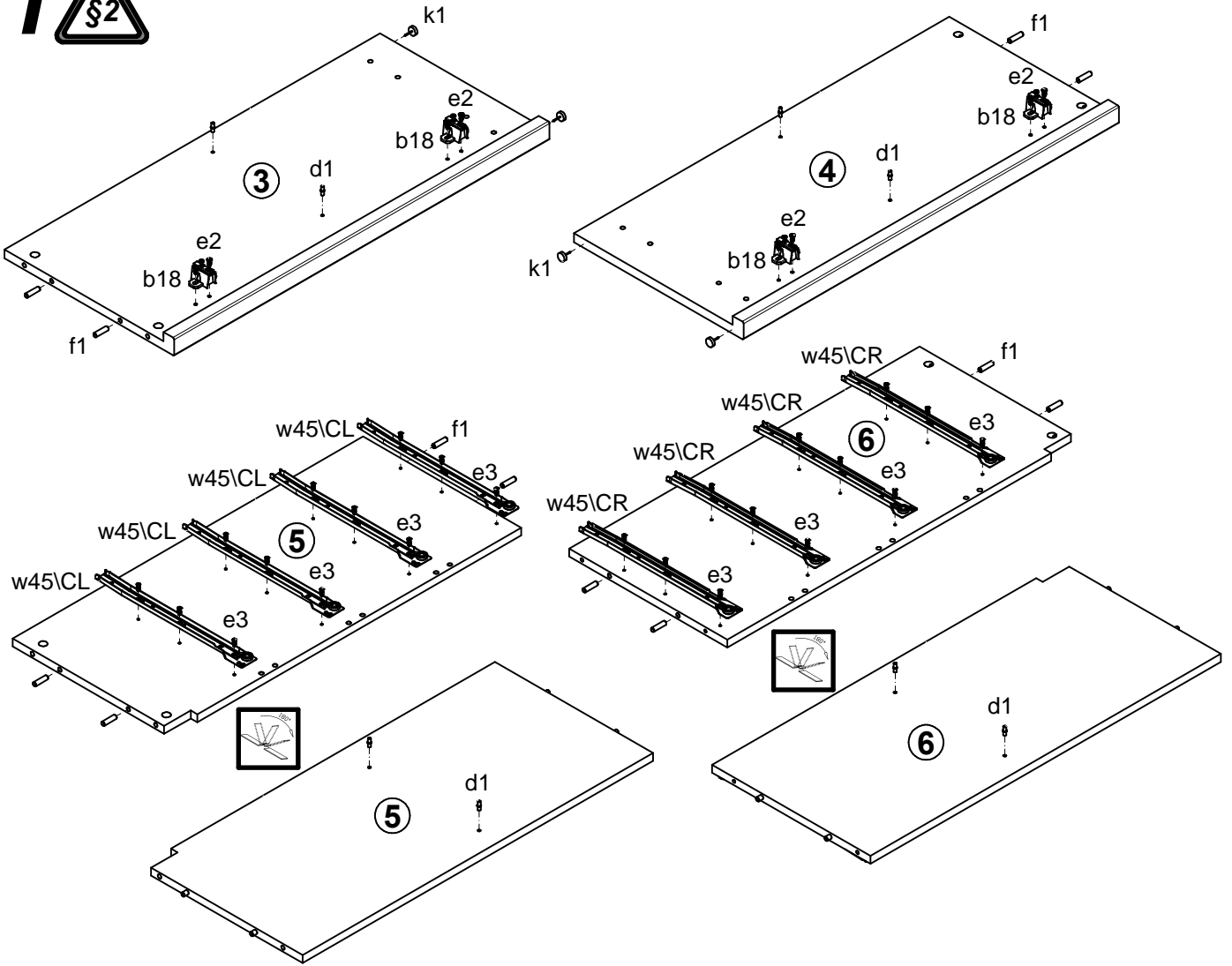
# S128-KOM2D4S

| A  | B        | C    | D   | A   | B  | C        | D    |     |     |
|----|----------|------|-----|-----|----|----------|------|-----|-----|
| 1  | S128-008 | 788  | 432 | 4/4 | 11 | S128-406 | 1395 | 44  | 2/4 |
| 2  | S128-009 | 788  | 432 | 4/4 | 12 | S128-901 | 429  | 348 | 2/4 |
| 3  | S128-107 | 876  | 396 | 1/4 | 13 | S128-908 | 847  | 483 | 1/4 |
| 4  | S128-108 | 876  | 396 | 1/4 | 14 | S128-909 | 847  | 471 | 1/4 |
| 5  | S128-109 | 818  | 369 | 1/4 | 15 | S83-005  | 482  | 176 | 3/4 |
| 6  | S128-110 | 818  | 369 | 1/4 | 16 | ZN1-501  | 65   | 38  | 1/4 |
| 7  | S128-204 | 1432 | 399 | 2/4 | 17 | ZS2-511  | 350  | 120 | 1/4 |
| 8  | S128-302 | 1395 | 370 | 2/4 | 18 | ZS2-512  | 350  | 120 | 1/4 |
| 9  | S128-305 | 448  | 368 | 2/4 | 19 | ZS2-5521 | 418  | 120 | 1/4 |
| 10 | S128-404 | 467  | 60  | 1/4 |    |          |      |     |     |

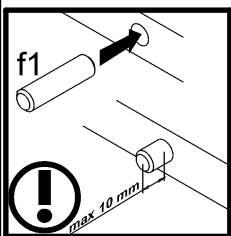
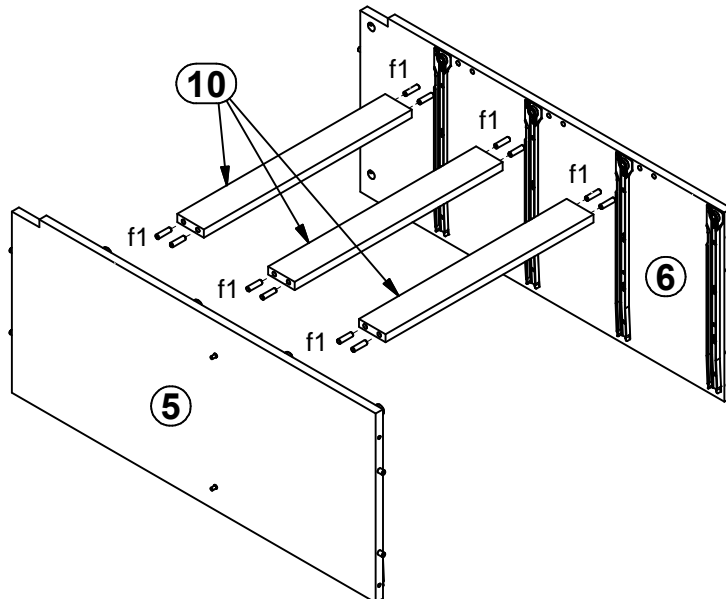


|                   |                   |                                 |                                    |  |                                 |                               |                               |                                  |
|-------------------|-------------------|---------------------------------|------------------------------------|--|---------------------------------|-------------------------------|-------------------------------|----------------------------------|
| 4x  a43           | 4x  b18 D22.5     | 8x  d1 $\phi 5 \times 17$ mm    | 10x  e1 $\phi 7 \times 50$ mm      | 16x  e19 $\phi 5 \times 9$ mm          | 8x  e2 $\phi 6,3 \times 13$ mm  | 24x  e3 $\phi 6 \times 13$ mm | 32x  f1 $\phi 8 \times 30$ mm | 16x  f25 $\phi 6,5 \times 40$ mm |
| 4x  k1            | 90x  l1           | 8x  p51 $\phi 3,5 \times 15$ mm | 8x  r1 $\phi 1,5 \times 12$ mm #16 | 16x  r15 $\phi 1,2 \times 10,5$ mm #12 | 24x  r42                        | 4x  s1                        | 4x  w45\CL 350 mm             | 4x  w45\CR 350 mm                |
| 4x  w45\DL 350 mm | 4x  w45\DR 350 mm | 4x  s2 $\phi 16$                | 1x  z1                             | 1x  n26\1                              | 1x  p38 $\phi 3,5 \times 16$ mm |                               |                               |                                  |

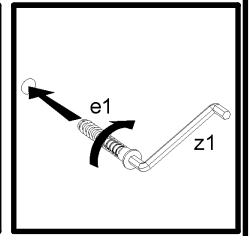
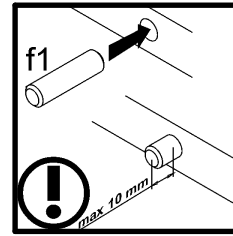
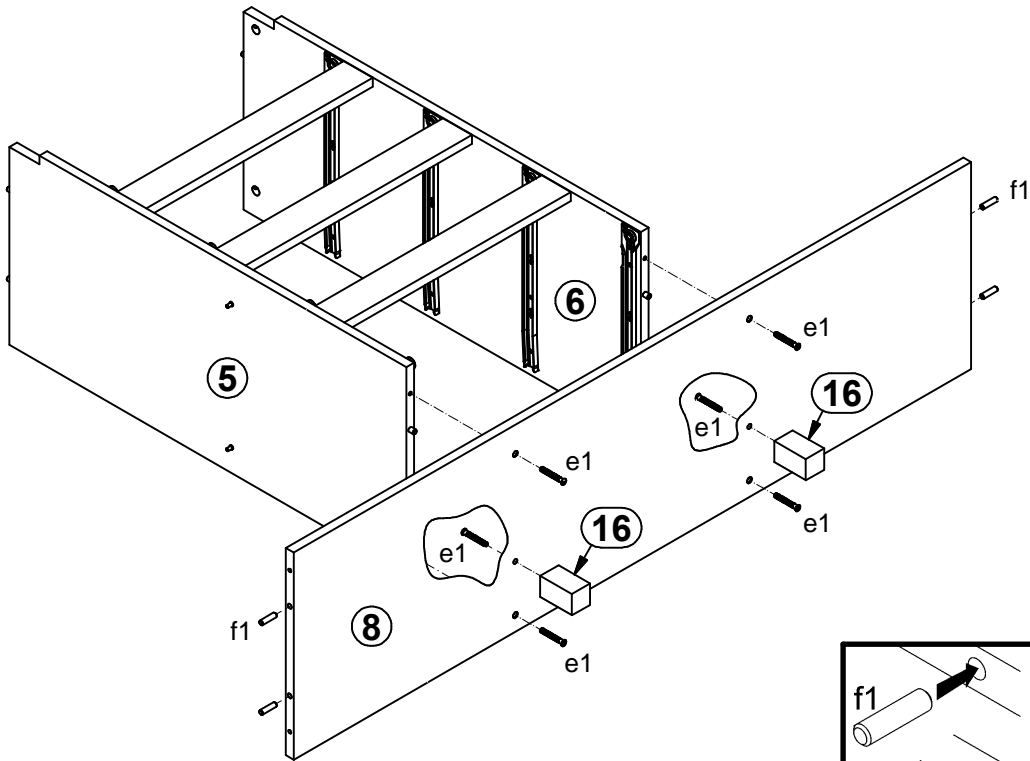
# 1



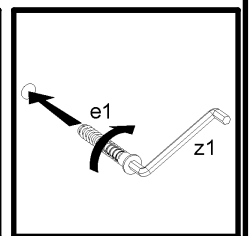
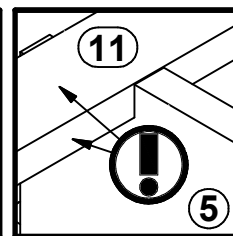
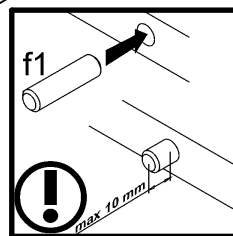
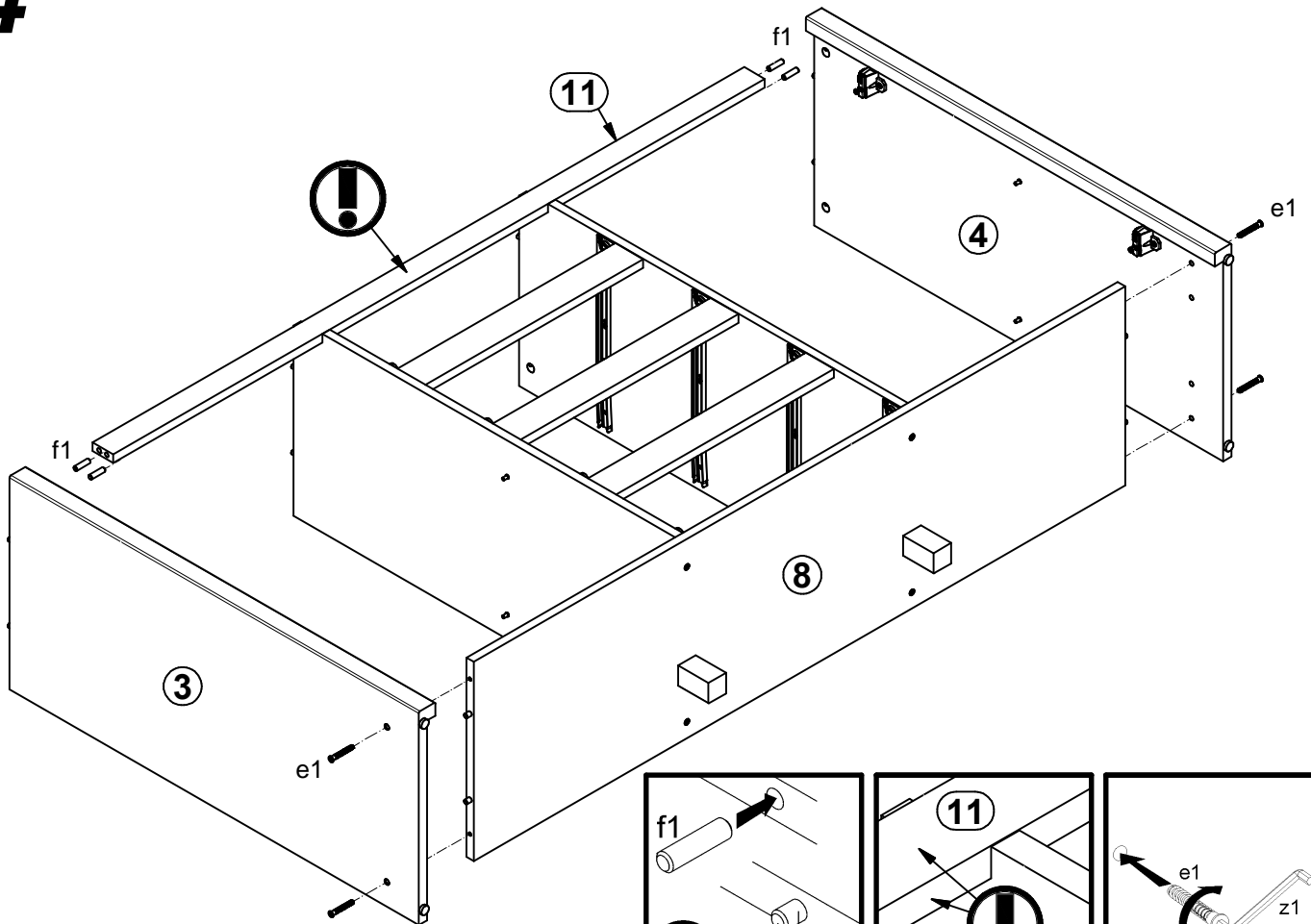
# 2



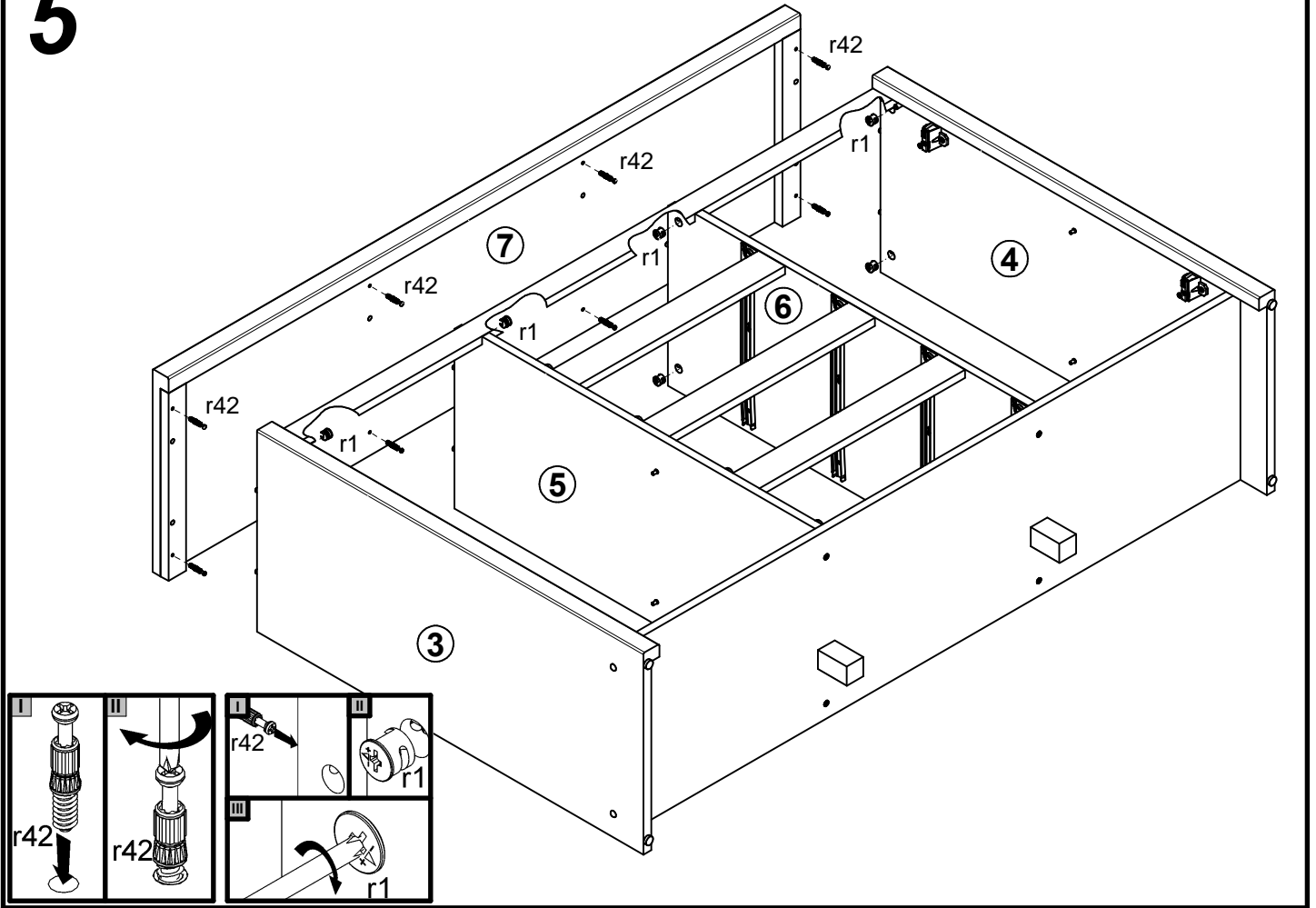
# 3



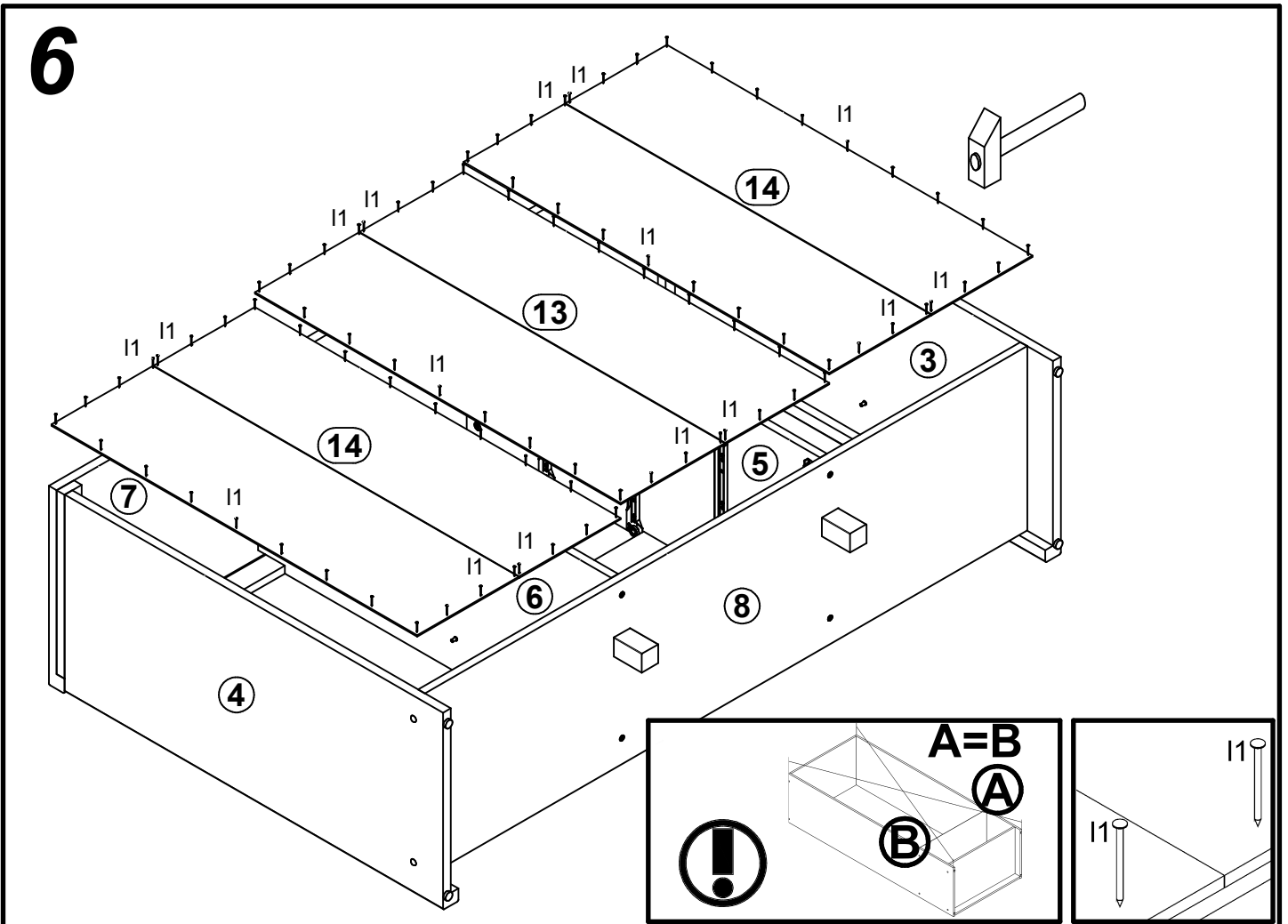
# 4



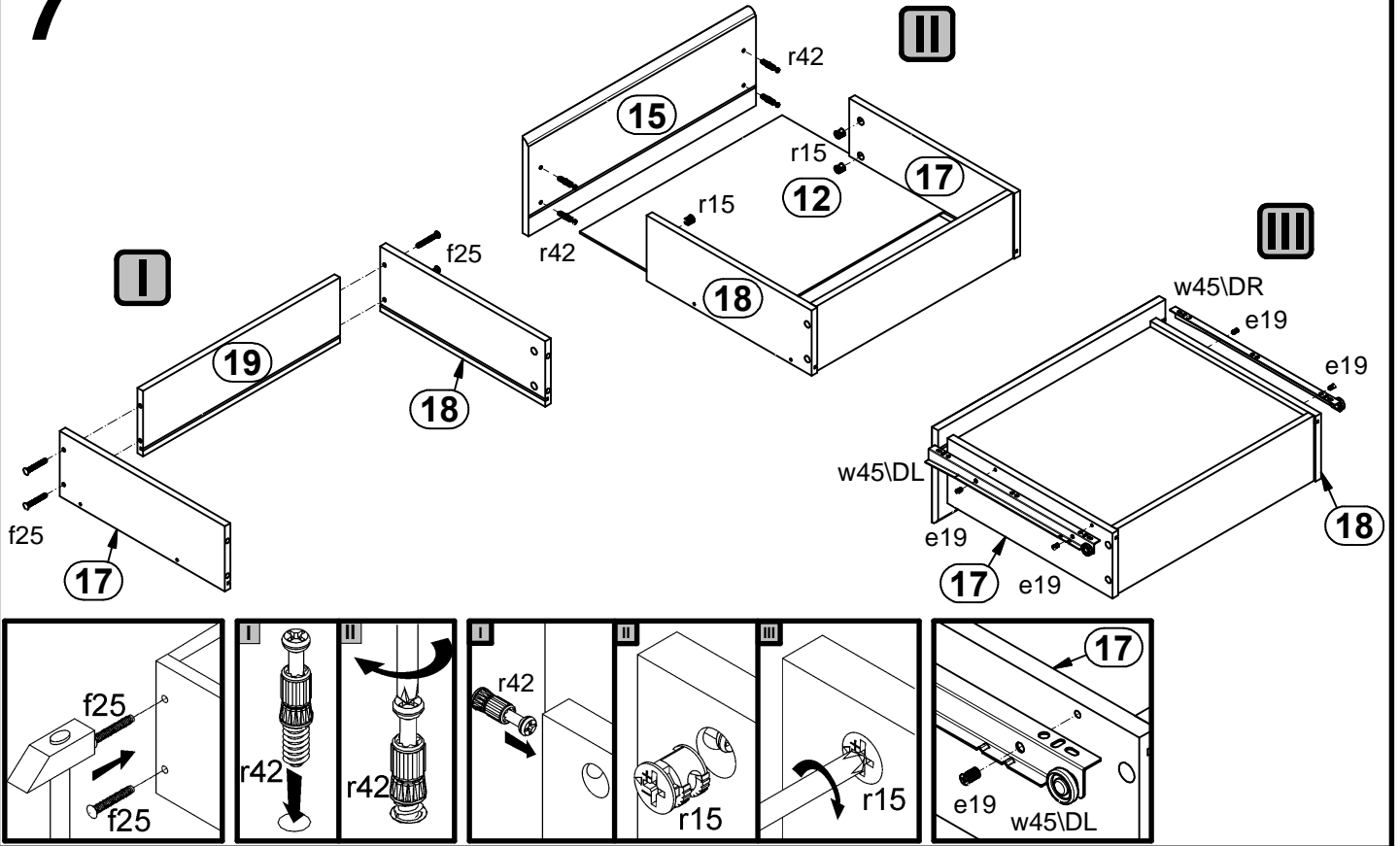
# 5



# 6



# 7



# 8

