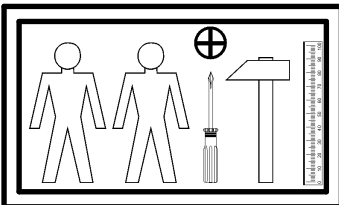
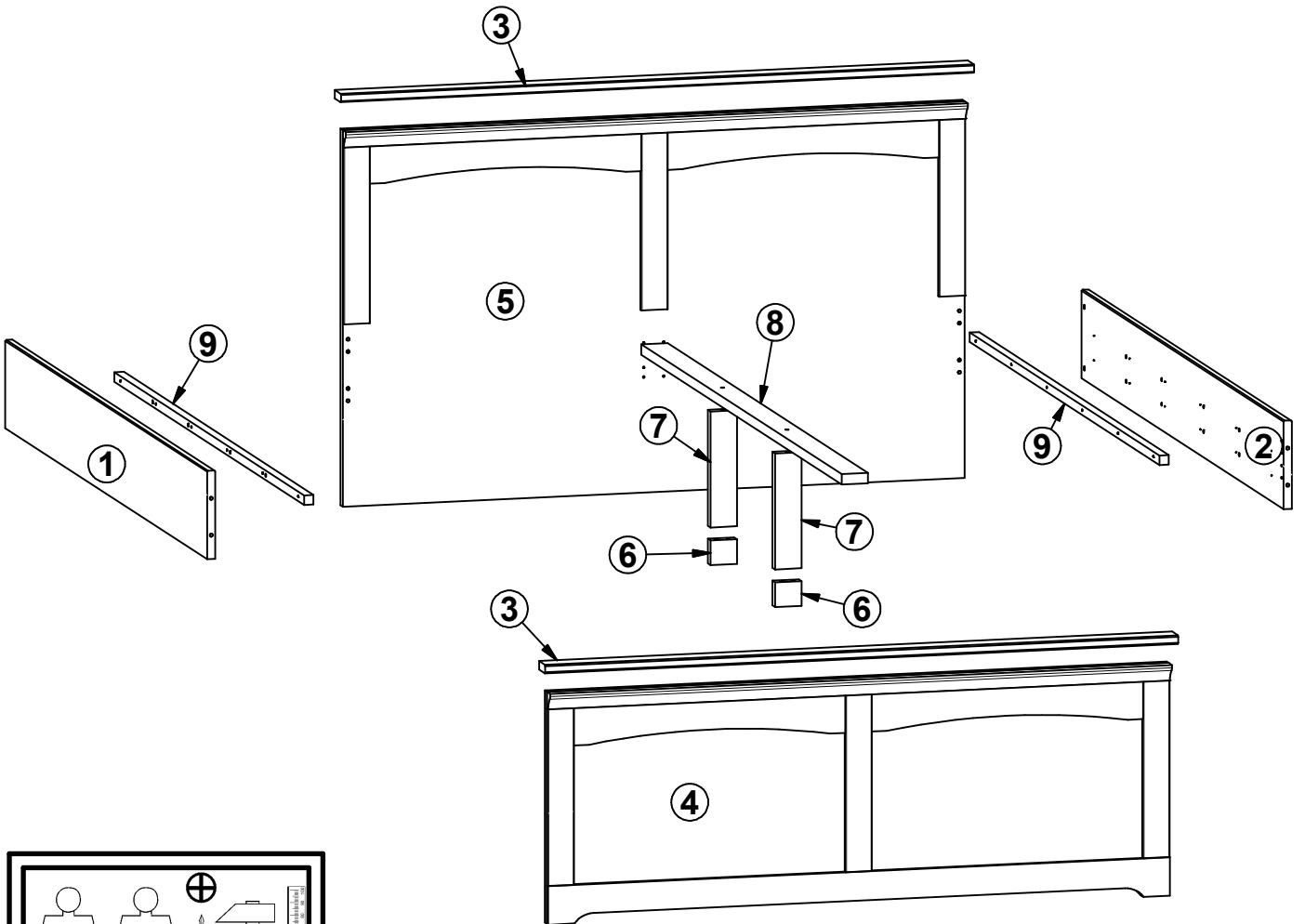
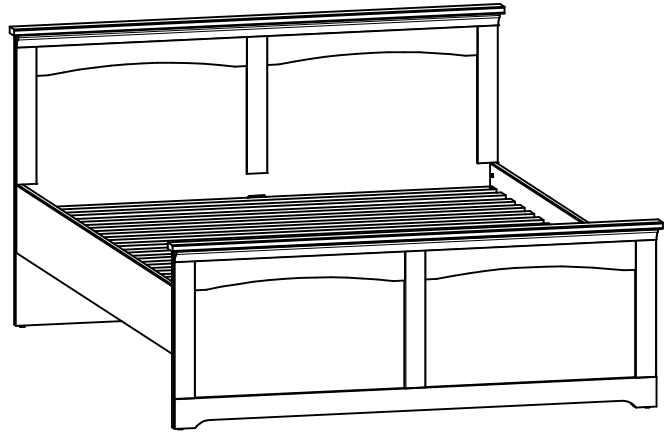
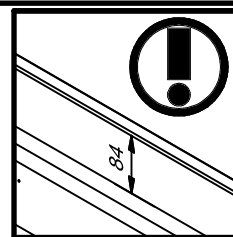
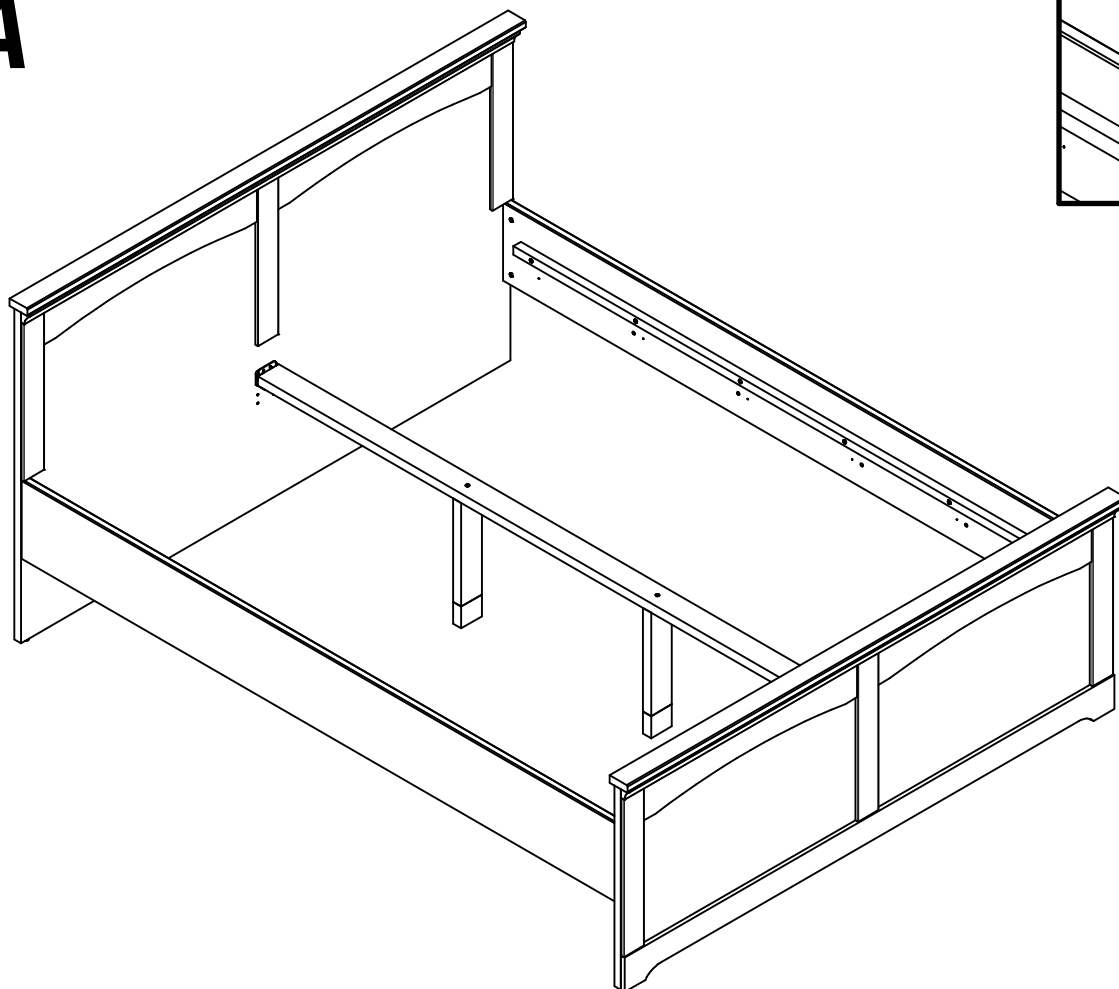


A	B	C	D
1	S405-1038	2000,	230
2	S405-1039	2000,	230
3	S405-2011	1680	60
4	S405-4001	1650	604
5	S405-4002	1650	980
6	ZZ1-431	64	70
7	ZZ1-433	302	70
8	ZZ1-719	1983	70
9	ZZ1-747	1880	25

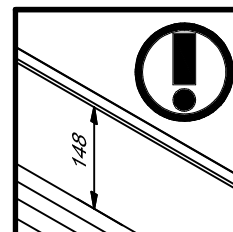
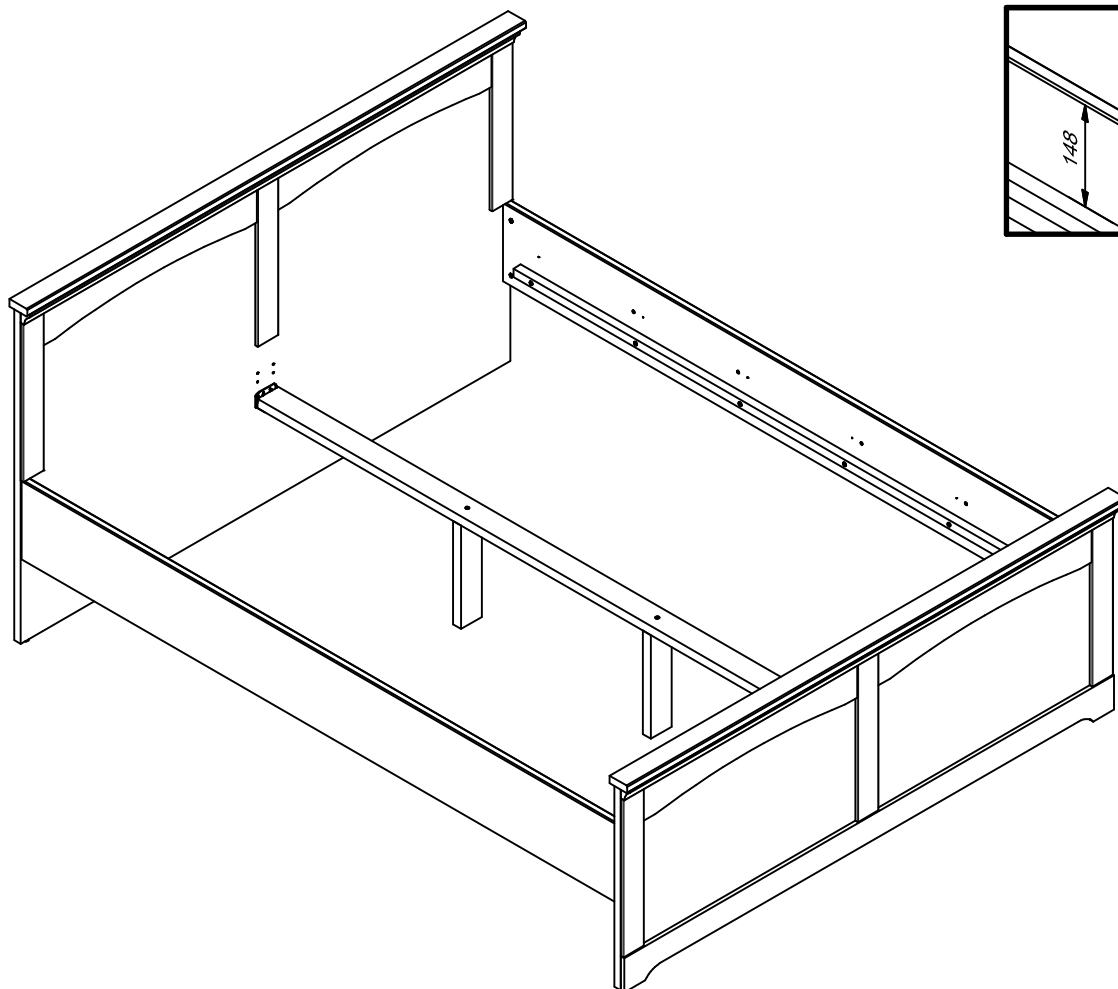


16x Ø6.3x13 mm e2	8x Ø6x13 mm e3	2x Ø7x60 mm e8	24x Ø8x30 mm f1	4x Ø8x50 mm f6	4x M6x65 mm j132	5x k1	2x n34/1	2x n34/2
2x 130x34x34/2 mm n63	12 Ø4x40 mm p10	6x Ø3.5x25 mm p16	6x Ø4x35 mm p6	8x Ø15x15 mm #22 r3	8x 20/11 r42	4x Ø10x16 mm r43	8x Ø16 s2	1x 4 mm z1

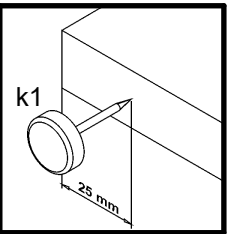
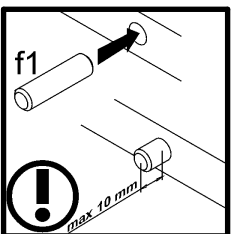
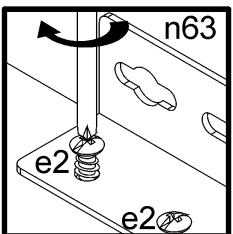
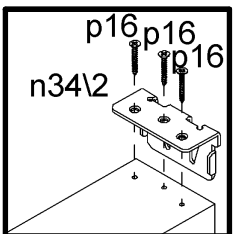
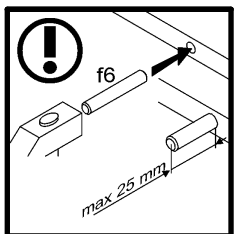
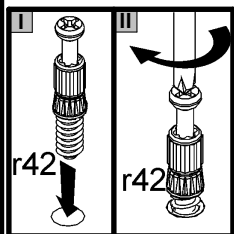
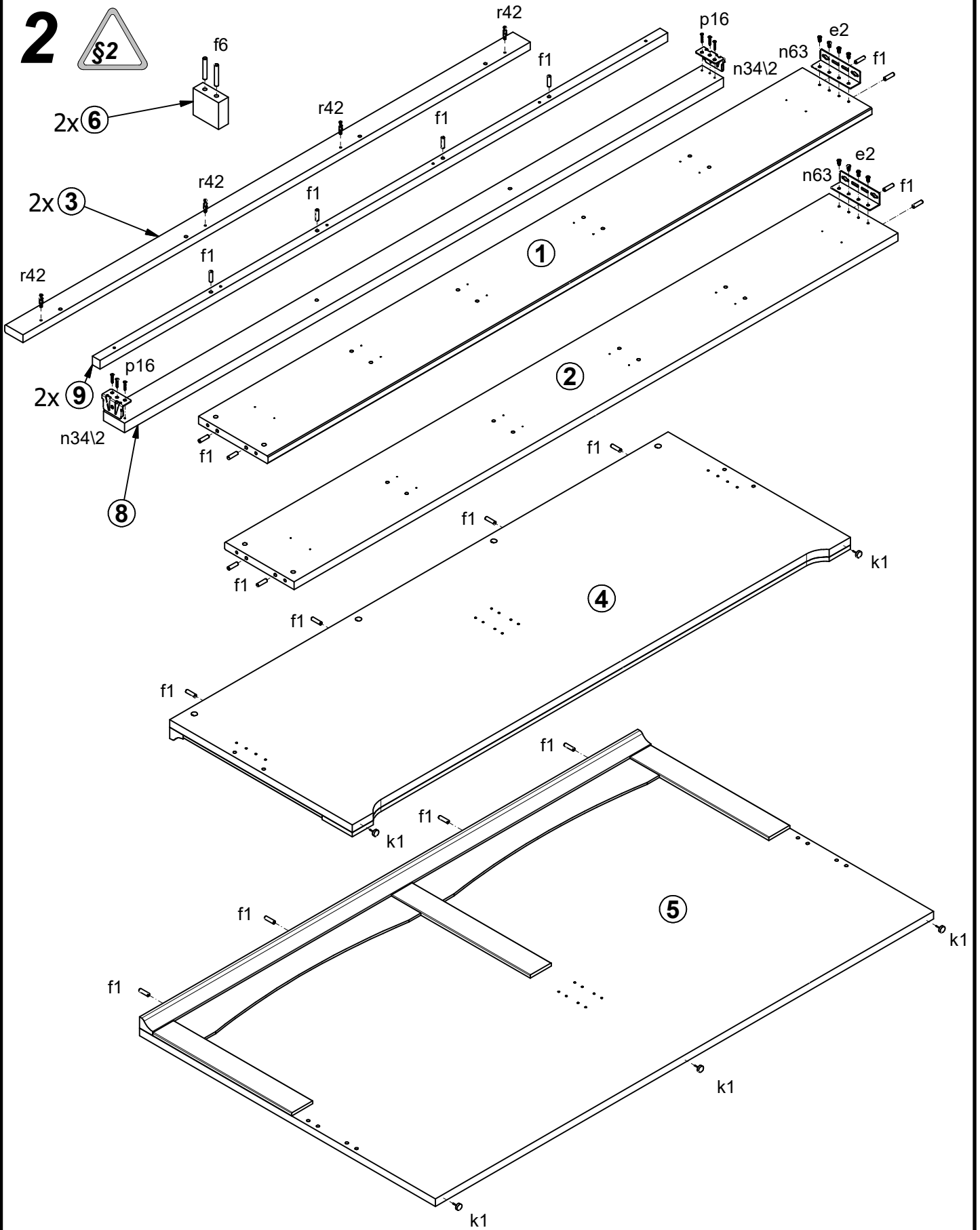
1A



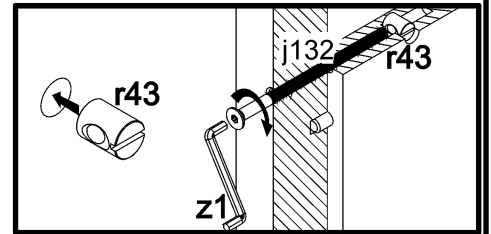
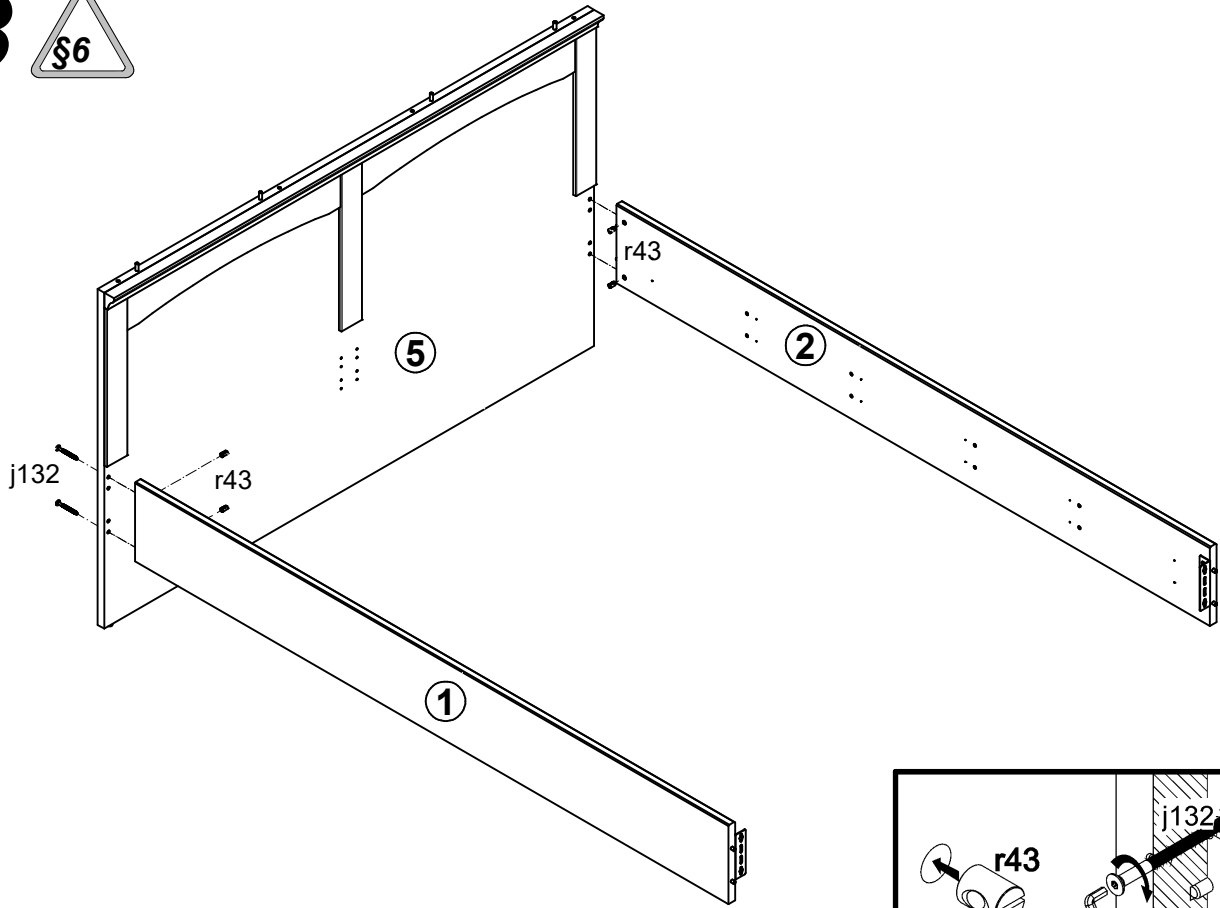
1B



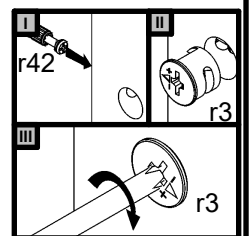
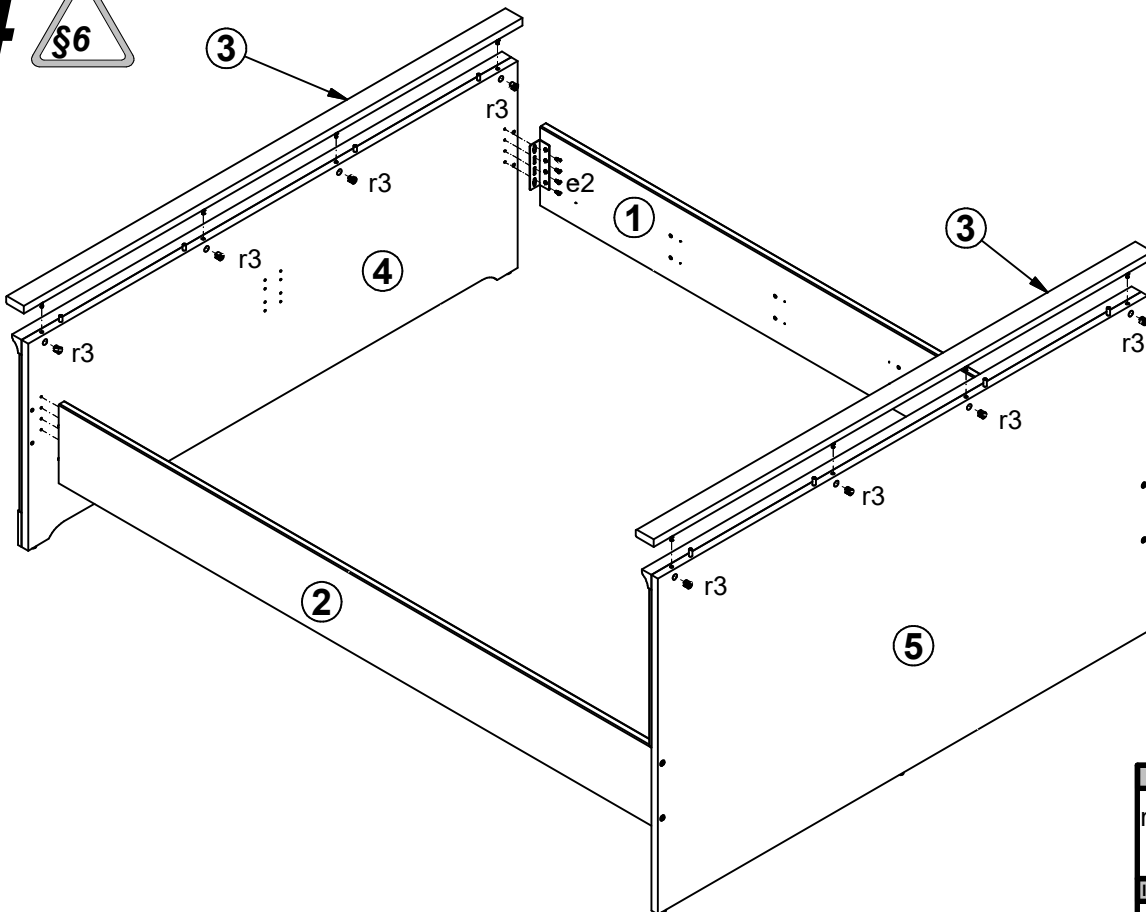
2



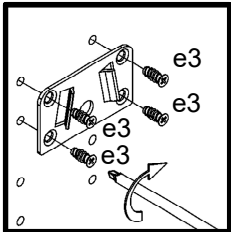
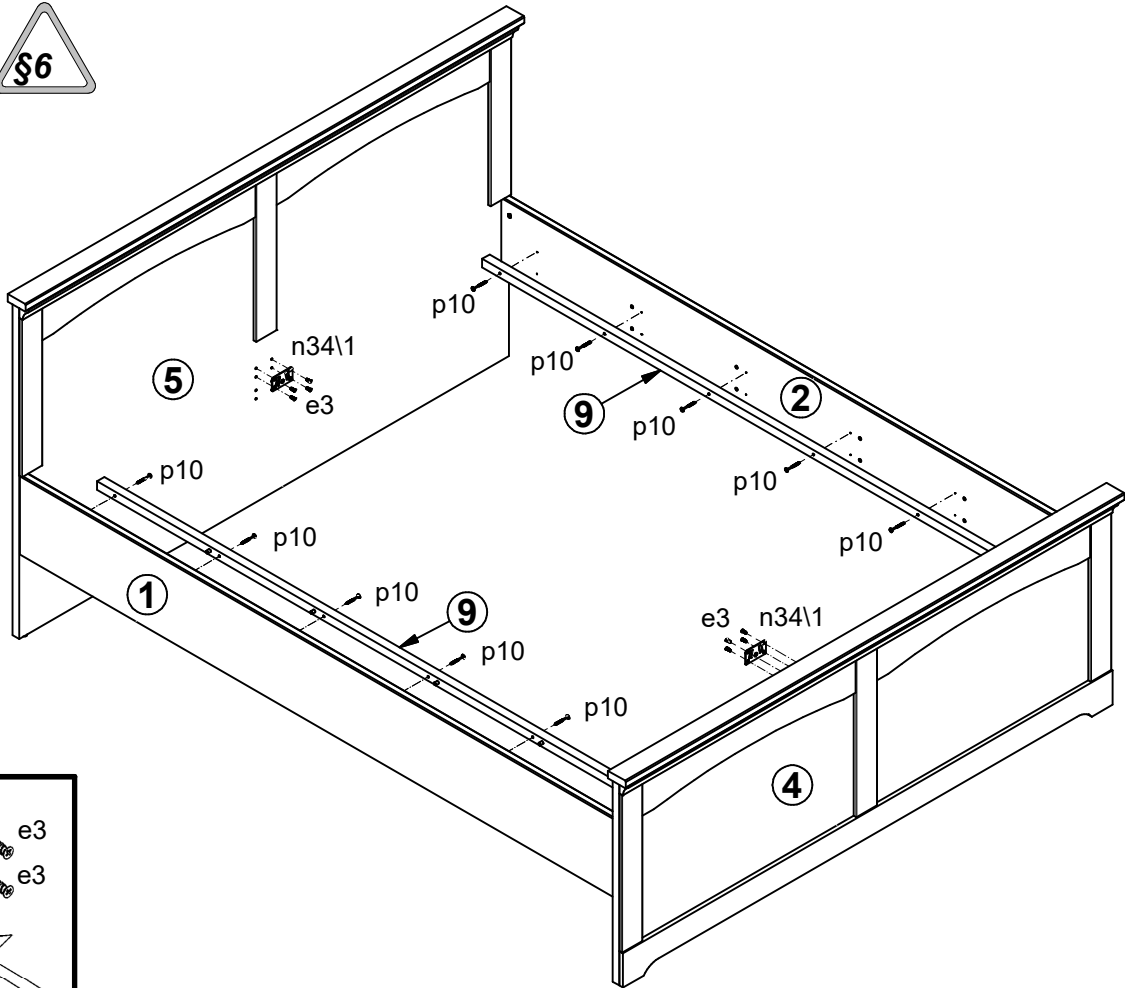
3



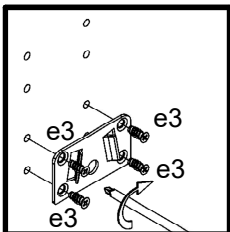
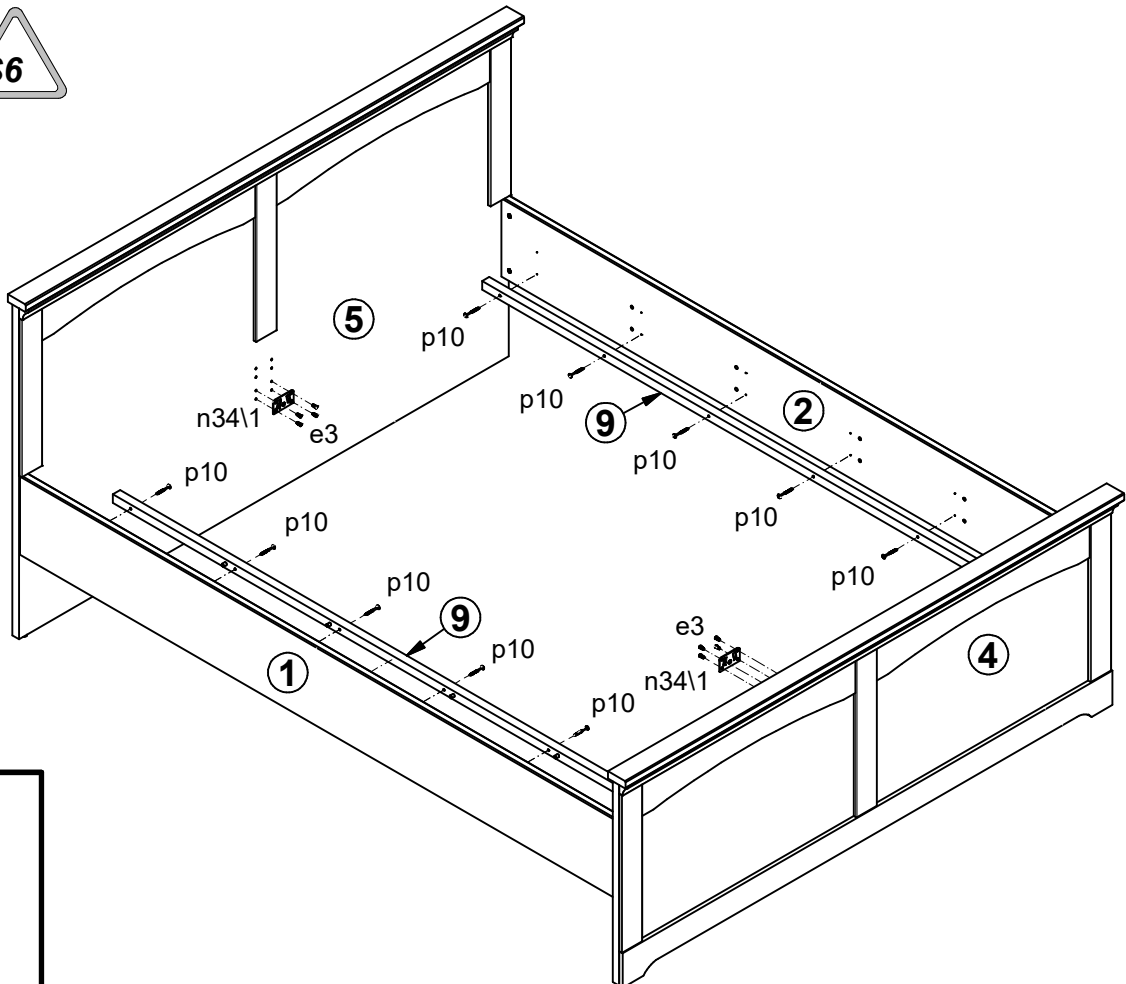
4



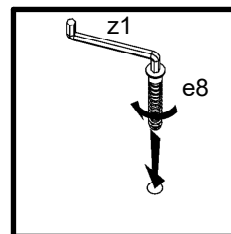
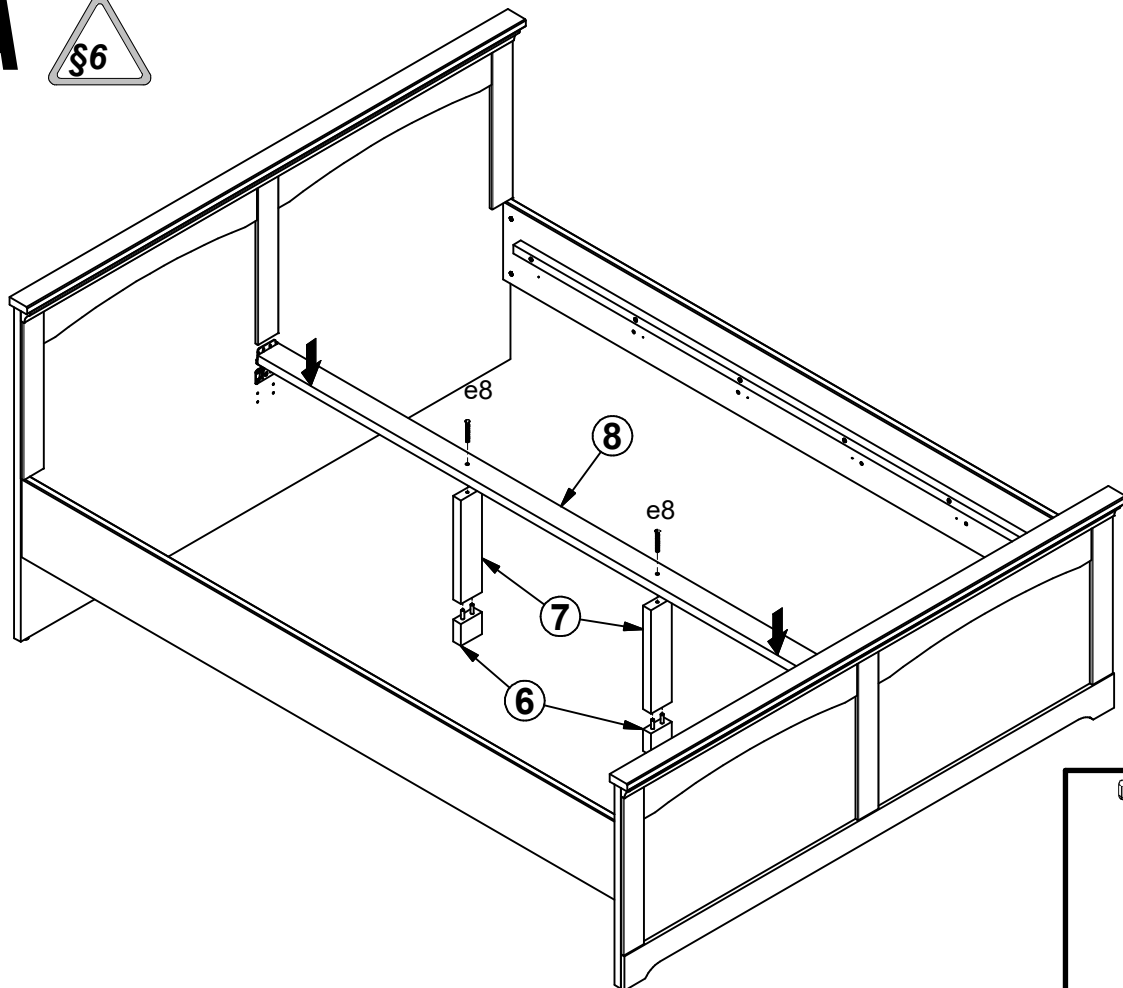
5A



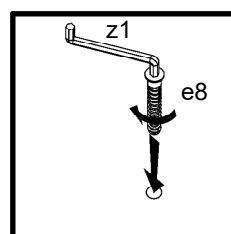
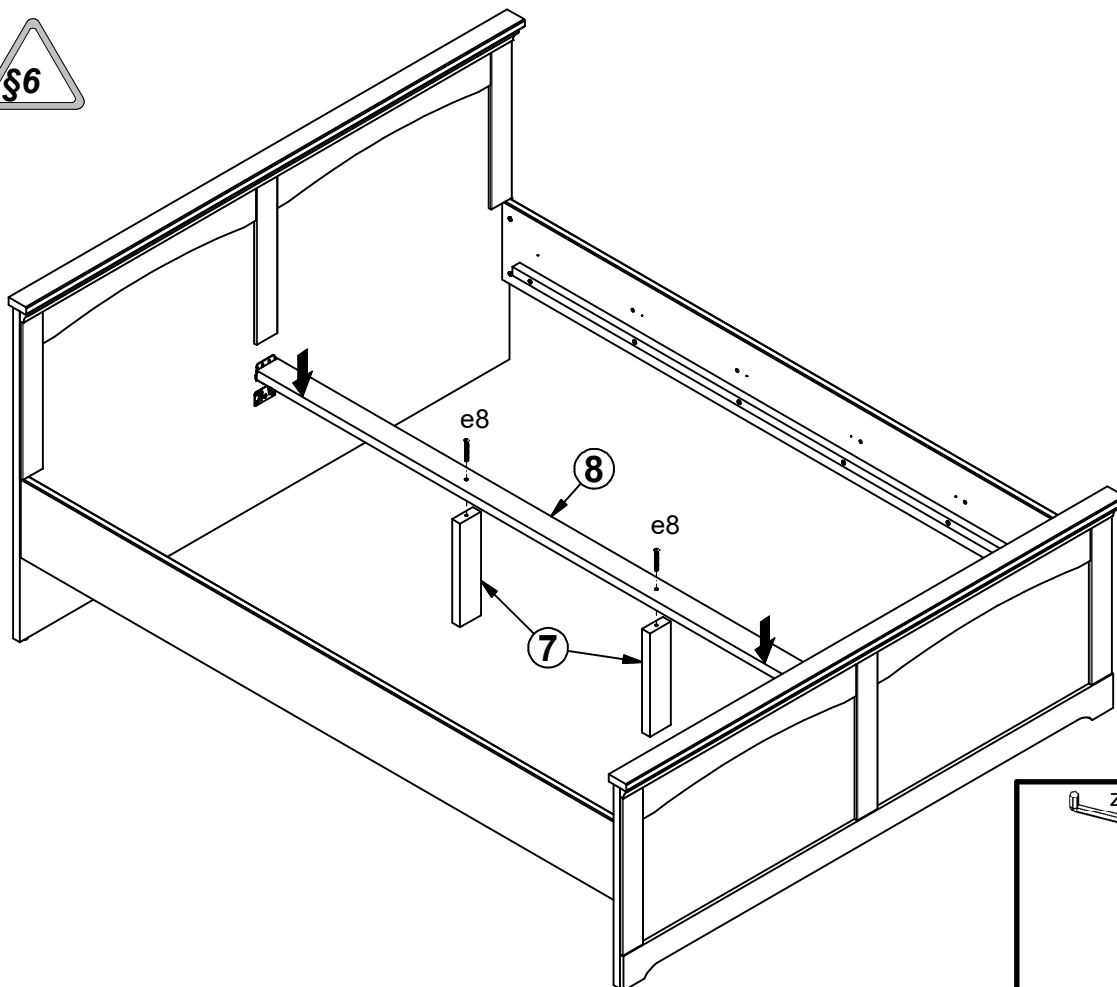
5B



6A



6B



7

