

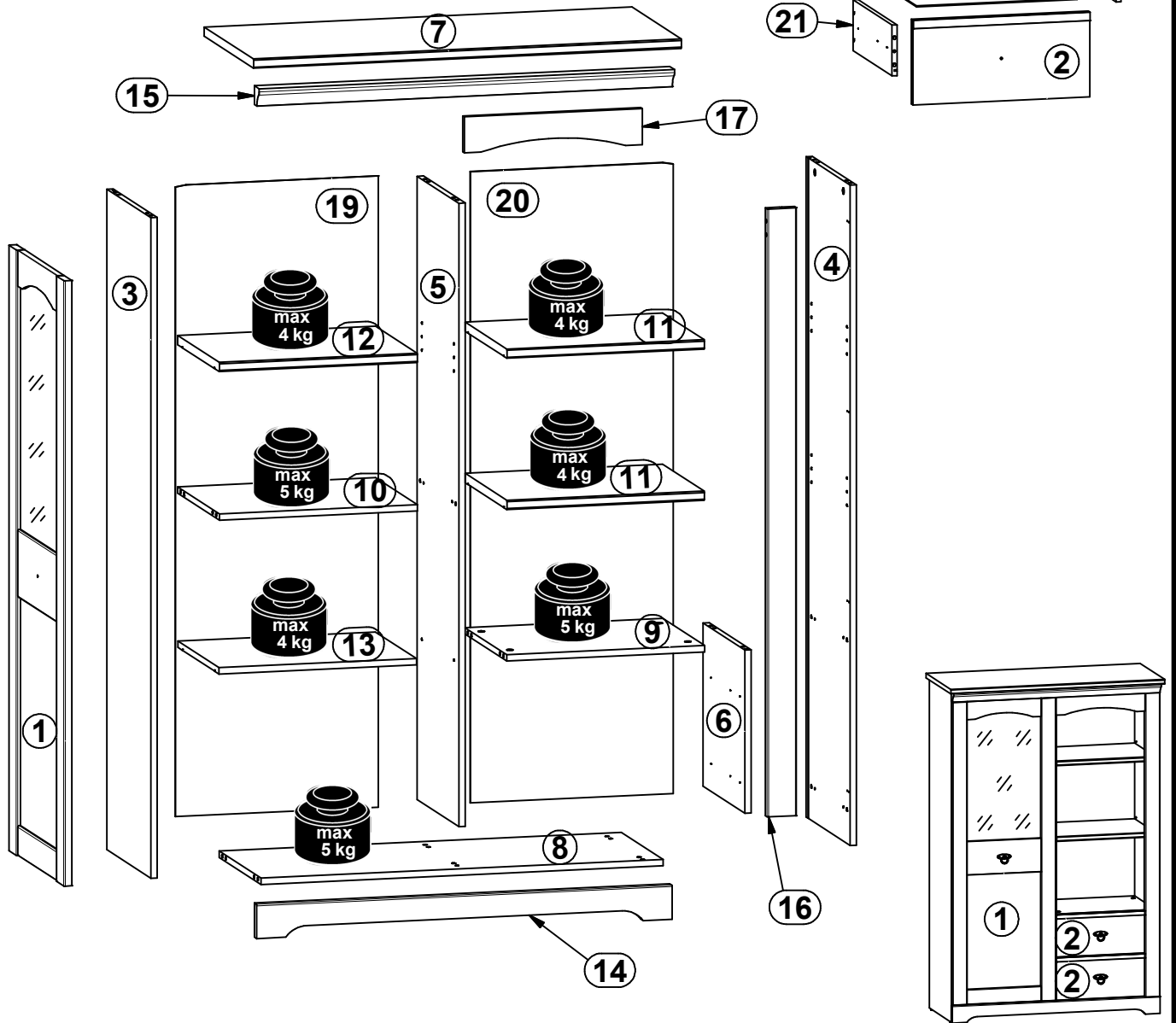
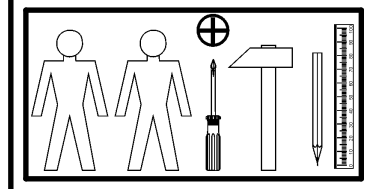
A

PATRAS

S405-REG1W2S

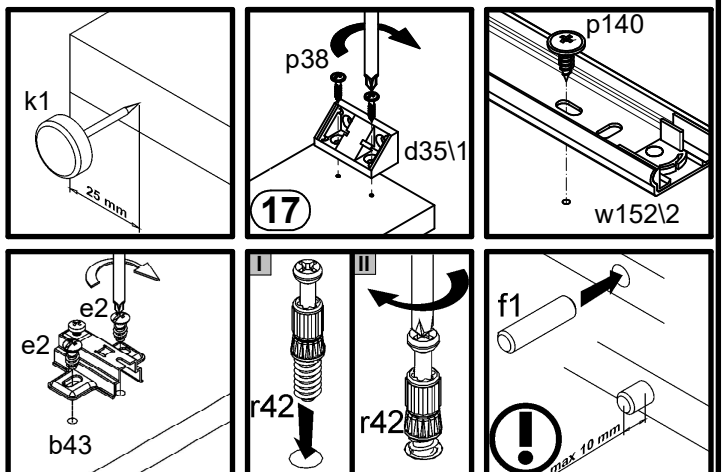
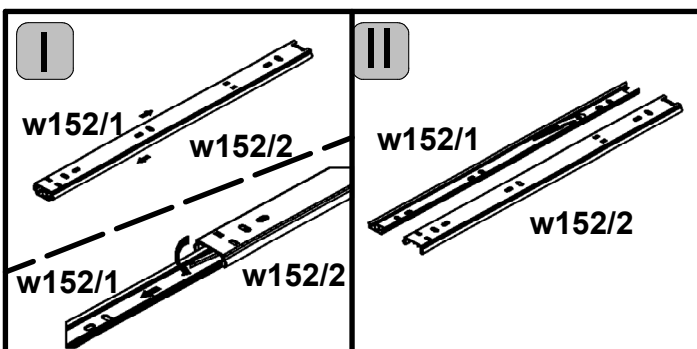
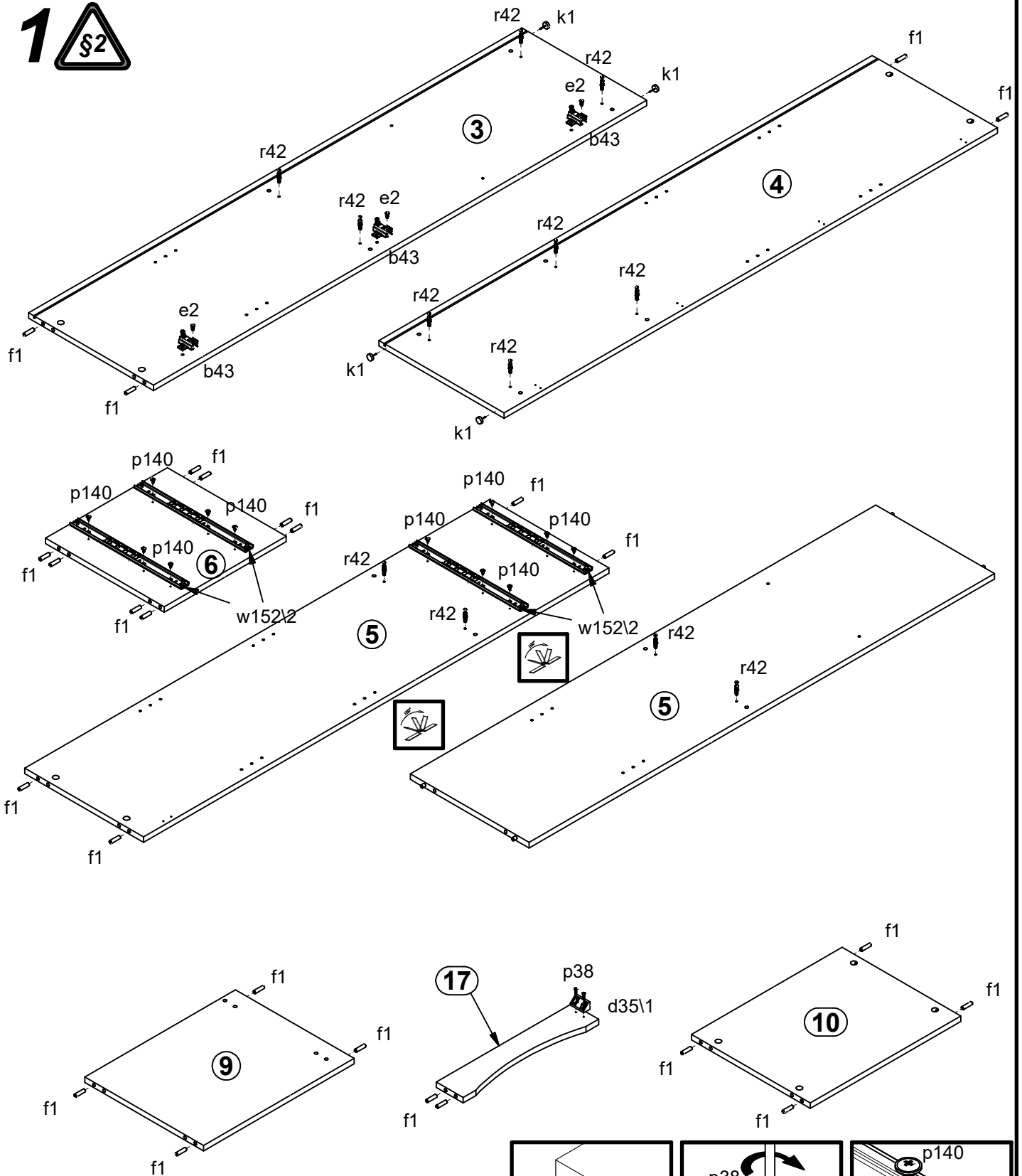
| A | B | C | D |
|----|-----------|------|---------|
| 1 | S405-0017 | 1428 | 496 3/3 |
| 2 | S405-0018 | 425 | 200 1/3 |
| 3 | S405-1027 | 1558 | 395 2/3 |
| 4 | S405-1028 | 1558 | 395 2/3 |
| 5 | S405-1029 | 1470 | 375 2/3 |
| 6 | S405-1030 | 385 | 375 2/3 |
| 7 | S405-2008 | 1029 | 445 1/3 |
| 8 | S405-3017 | 967 | 375 1/3 |
| 9 | S405-3018 | 476 | 375 1/3 |
| 10 | S405-3019 | 476 | 375 2/3 |
| 11 | S405-3020 | 475 | 375 1/3 |
| 12 | S405-3021 | 476 | 375 1/3 |

| A | B | C | D |
|----|-----------|------|---------|
| 13 | S405-3022 | 475 | 370 2/3 |
| 14 | S405-5008 | 999 | 80 1/3 |
| 15 | S405-5016 | 999 | 44 1/3 |
| 16 | S405-5017 | 1434 | 70 2/3 |
| 17 | S405-5018 | 428 | 85 1/3 |
| 18 | S405-9007 | 387 | 348 1/3 |
| 19 | S405-9008 | 1489 | 488 3/3 |
| 20 | S405-9009 | 1489 | 488 3/3 |
| 21 | ZK1-503 | 350 | 120 2/3 |
| 22 | ZK1-504 | 350 | 120 2/3 |
| 23 | ZS4-5526 | 377 | 120 2/3 |

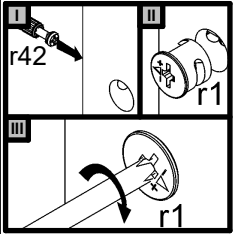
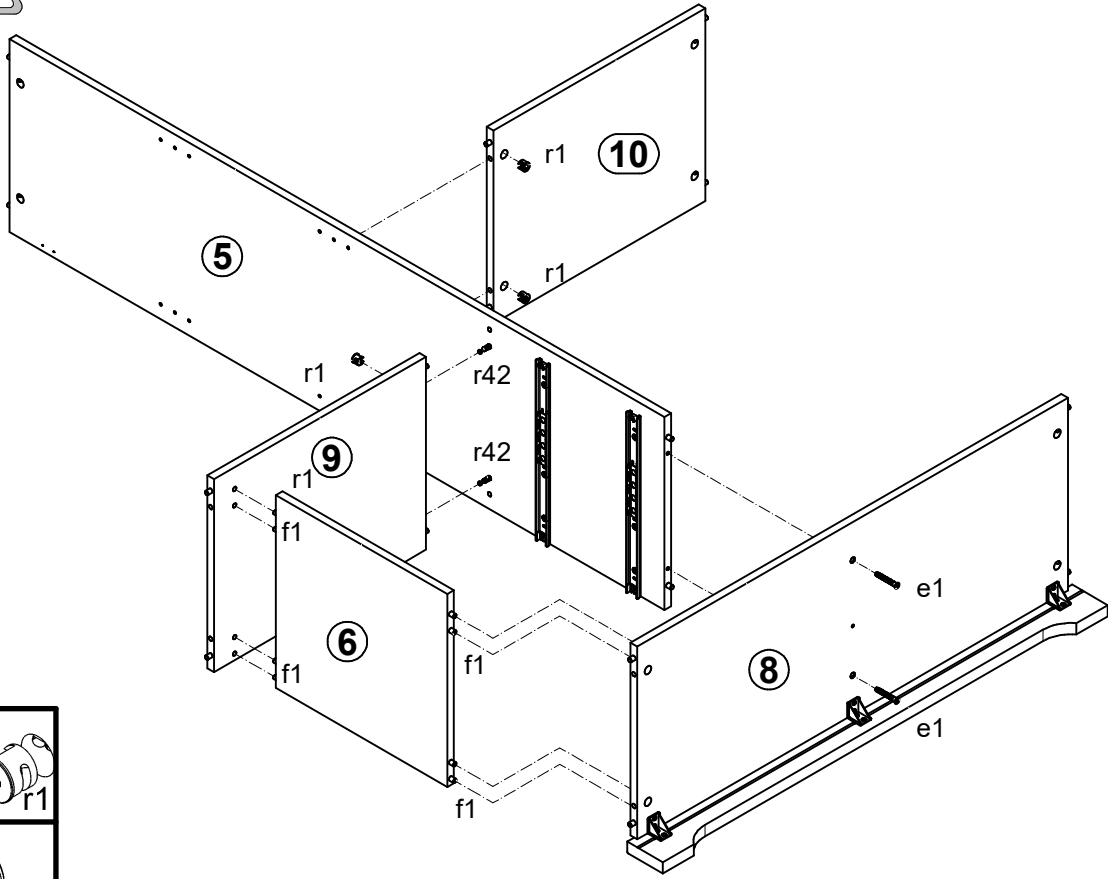


| | | | | | | | | |
|-------------|------------|--------------|--------------|--------------|------------|-------------|-------------|--------------|
| 1x a133 | 3x a158 | 3x b43 | 3x c477/1 | 3x c477/2 | 16x d1 | 1x d35/1 | 1x d35/2 | 11x d37 |
| 2x e1 | 7x e2 | 30x f1 | 8x f25 | 4x f9 | 2x j1 | 1x j30 | 4x k1 | 1x k38/10 |
| 1x k38/3 | 20x l1 | 14x l2 | 6x n108 | 24x p140 | 52x p38 | 6x p51 | 6x p55 | 18x r1 |
| 8x r15 | 26x r42 | 4x w152/1 | 4x w152/2 | 10x s2 | 1x z1 | 1x n26/1 | 1x p38 | |

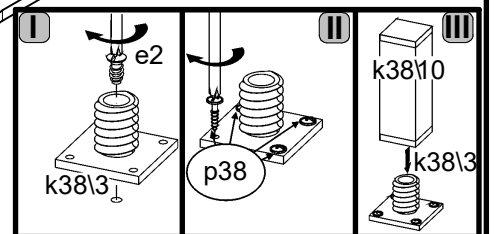
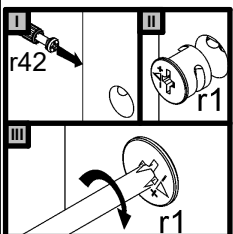
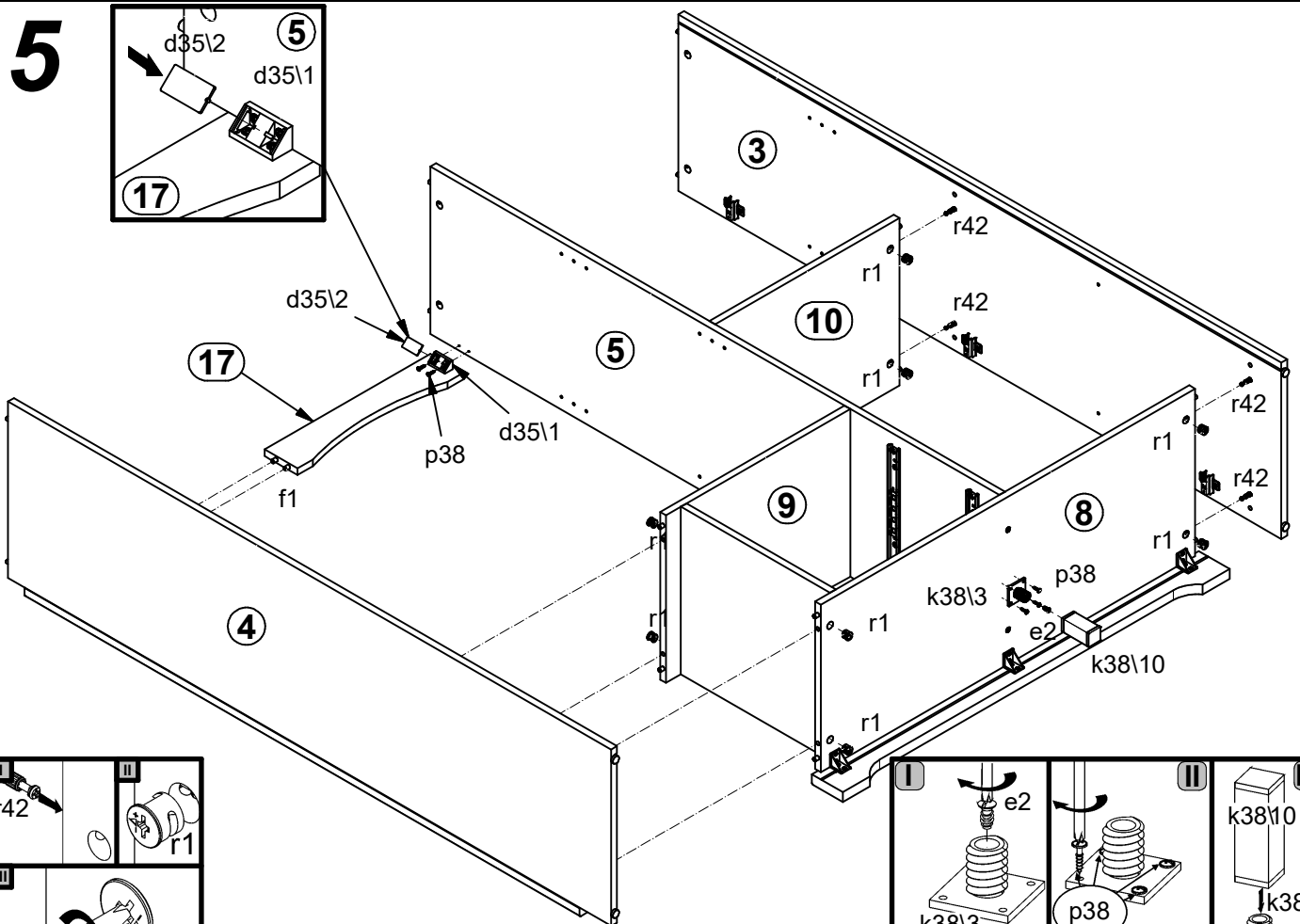
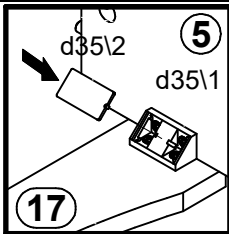
1 



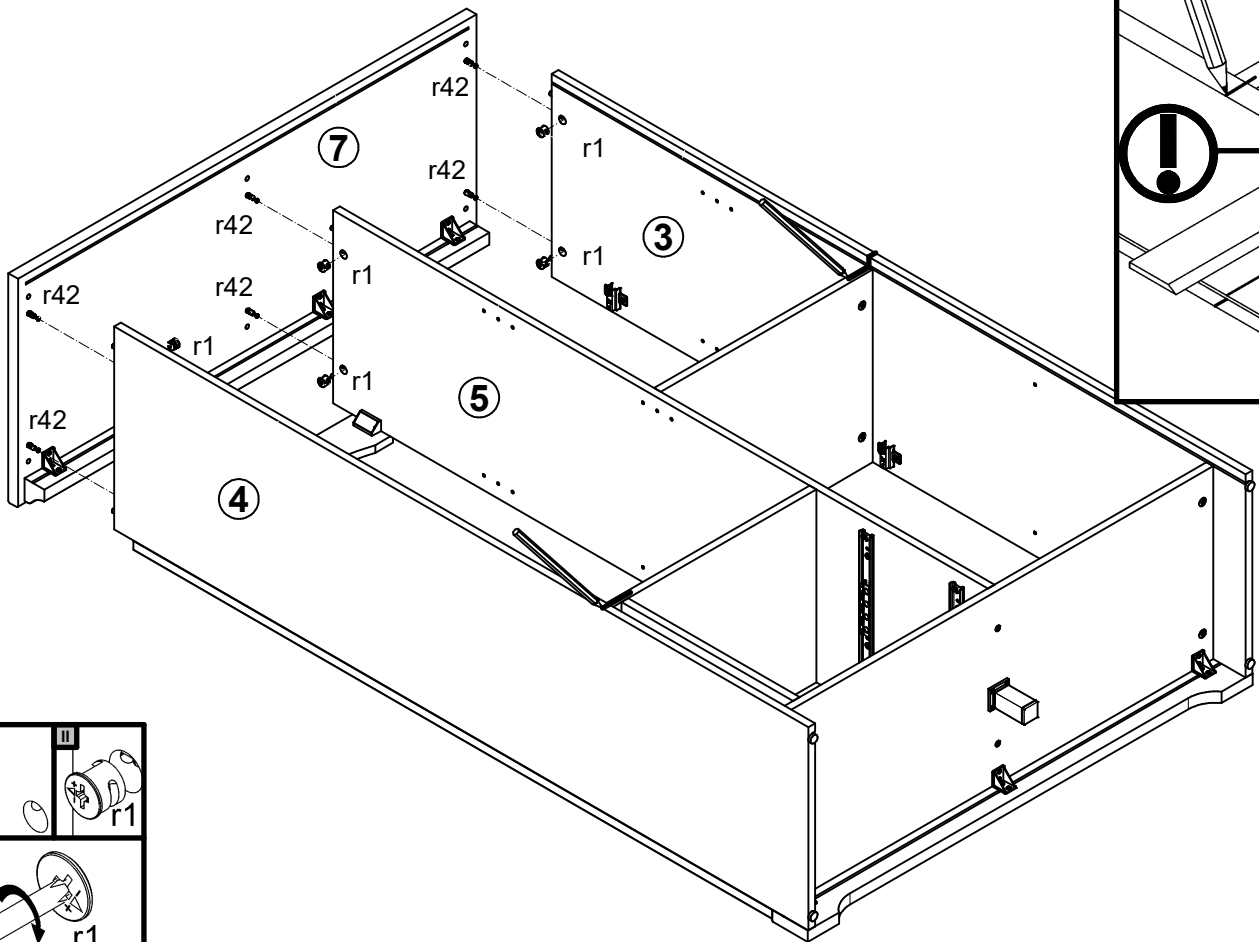
4 



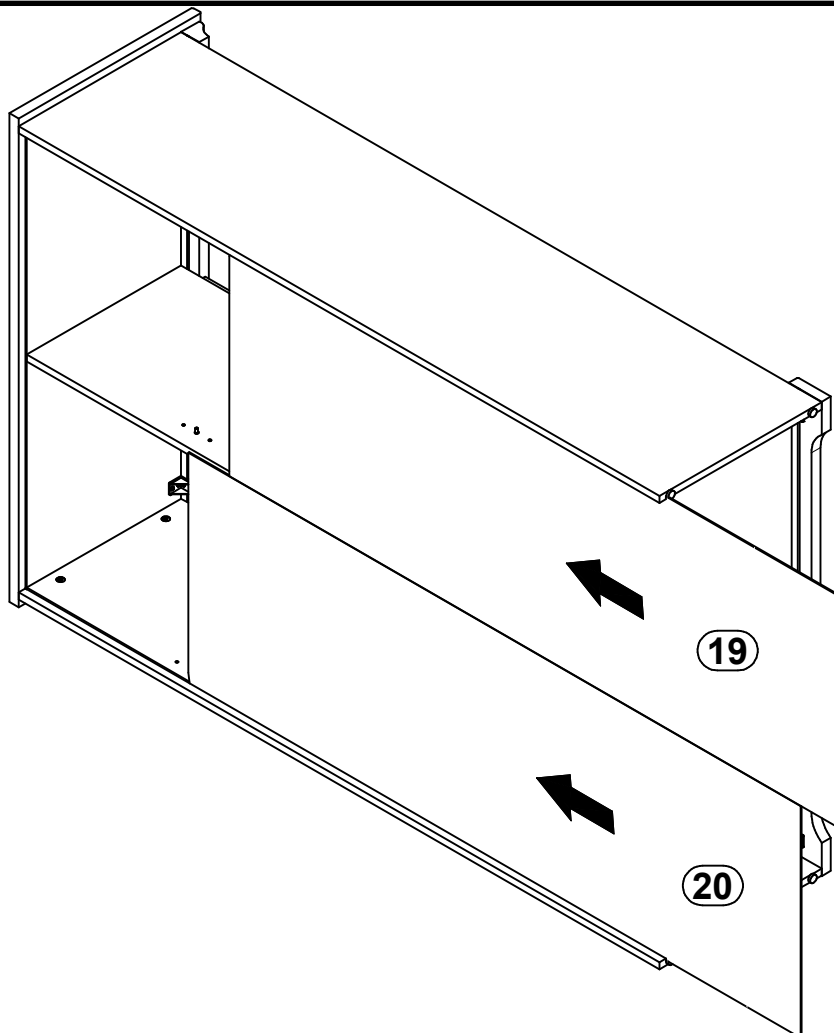
5



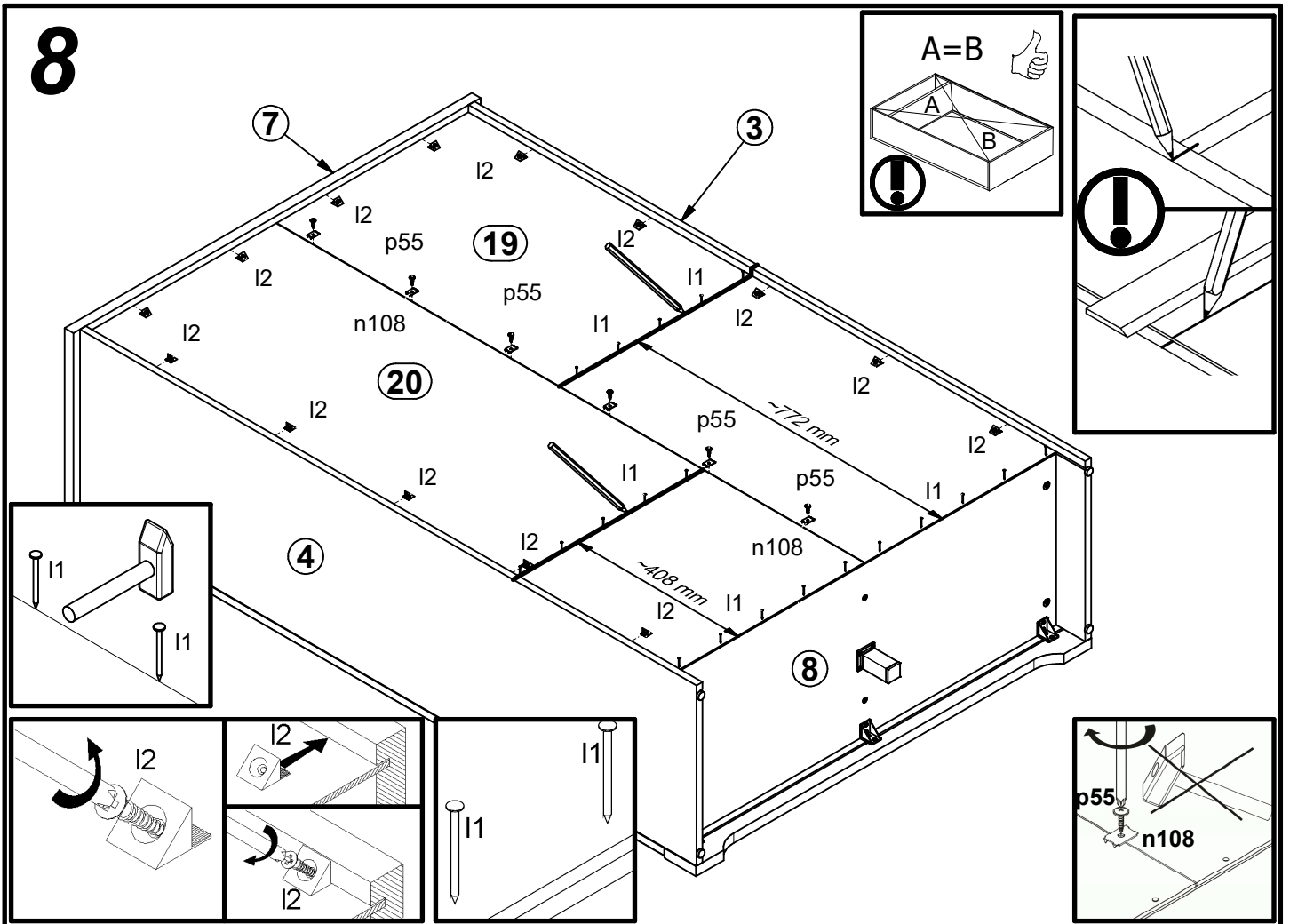
6



7



8



9

