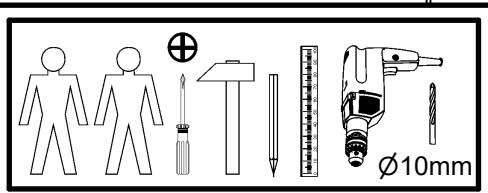
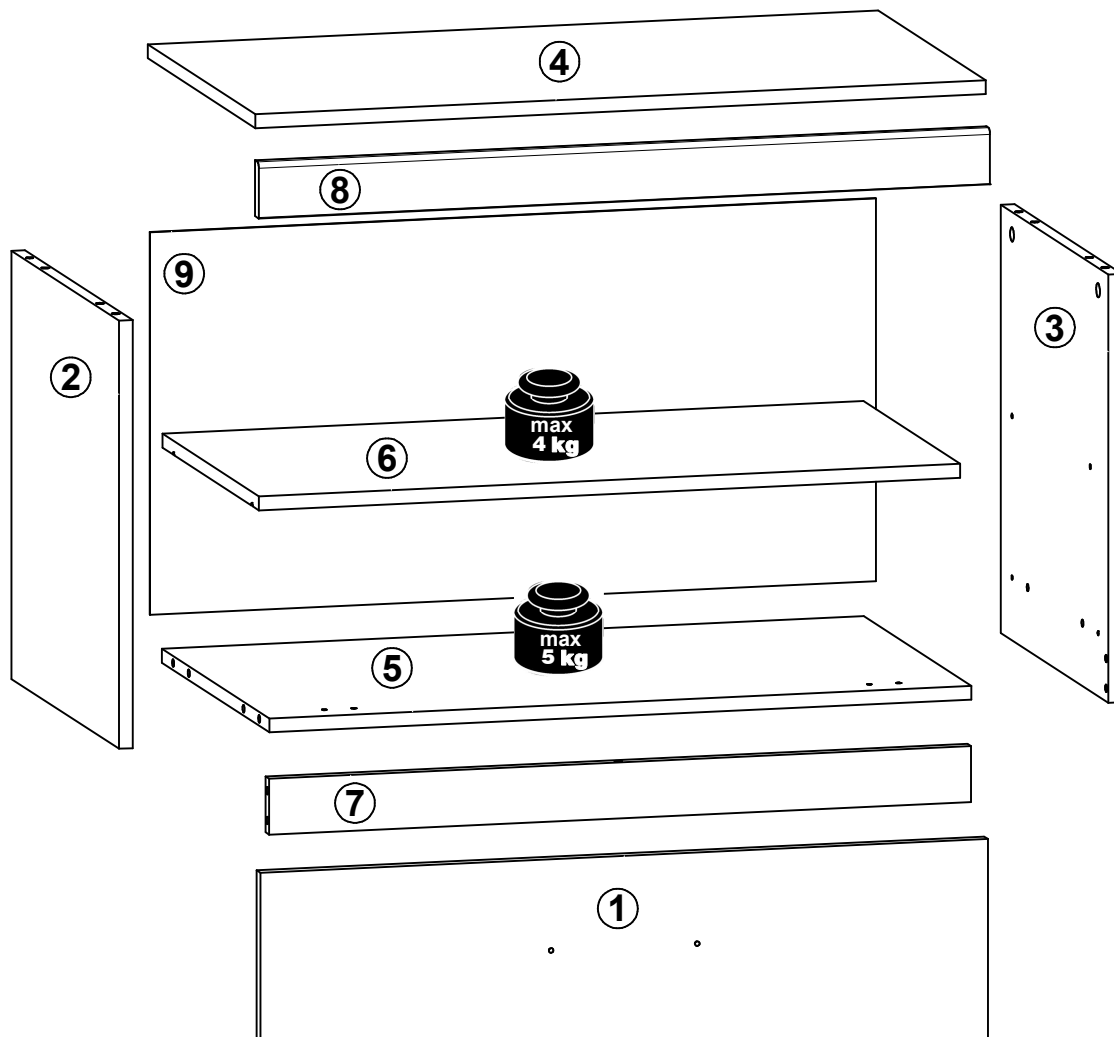
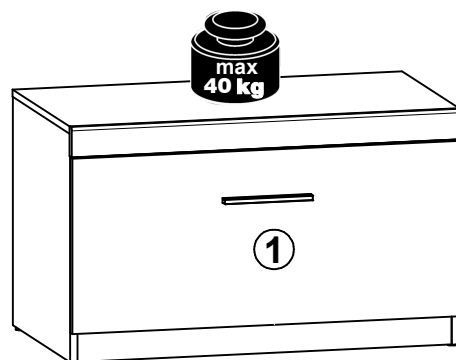


A

EVORA

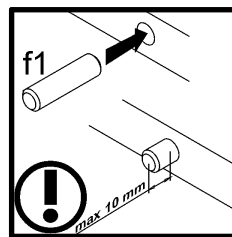
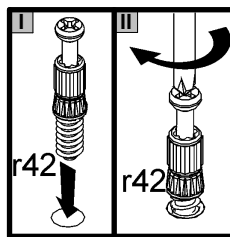
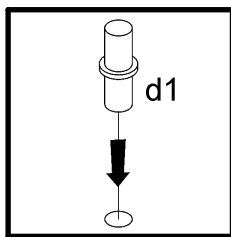
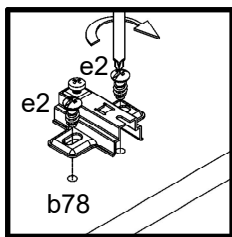
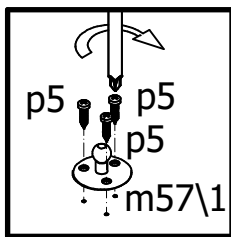
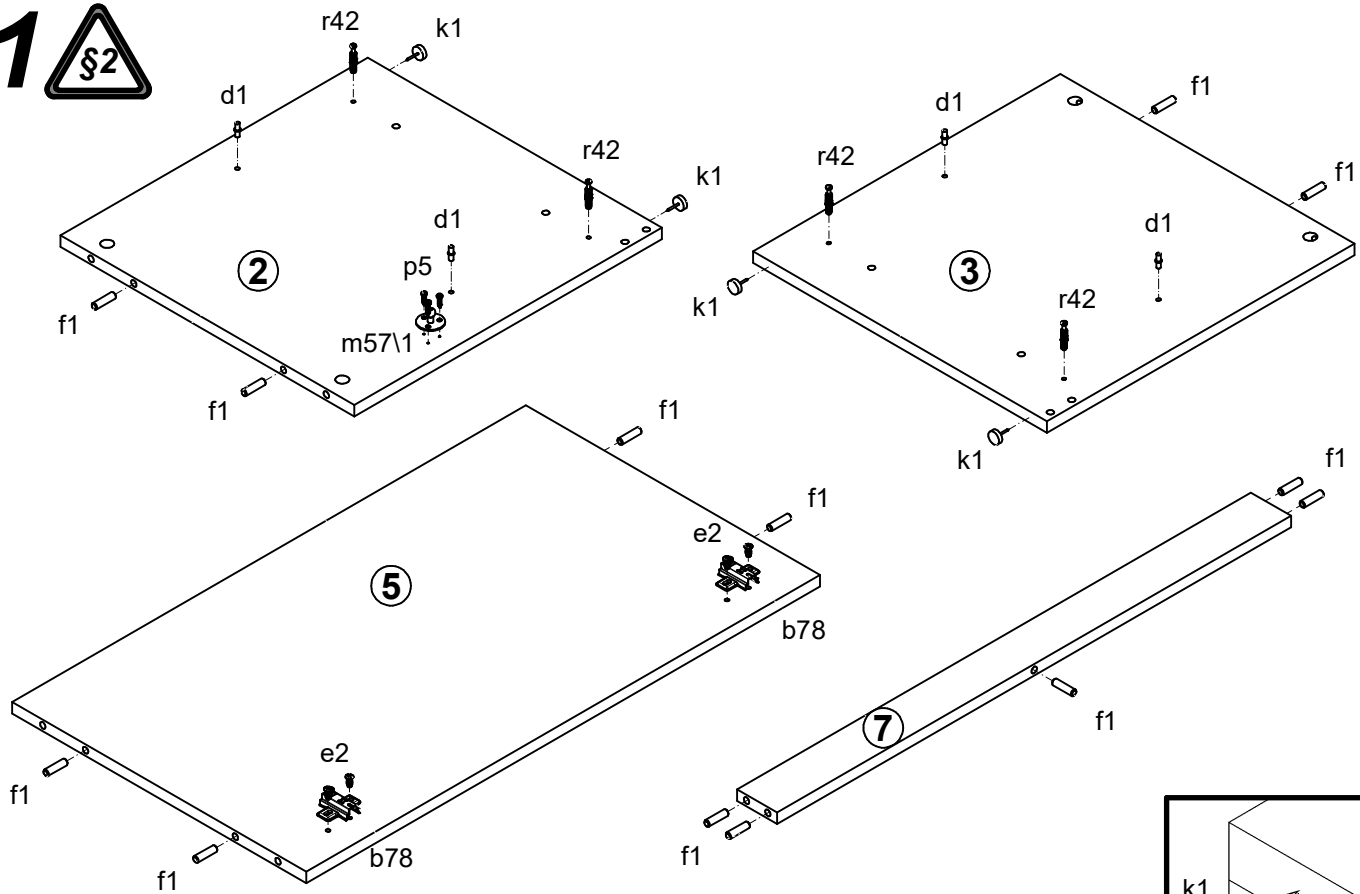
M235-RTV1K

A	B	C	D	
1	M235-0005	797	353	1/1
2	M235-1007	460	440	1/1
3	M235-1008	460	440	1/1
4	M235-2003	800	440	1/1
5	M235-3008	769	440	1/1
6	M235-3009	768	395	1/1
7	M235-4001	769	60	1/1
8	M235-5001	801	60	1/1
9	M235-9005	795	411	1/1

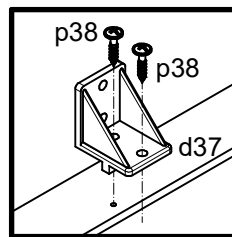
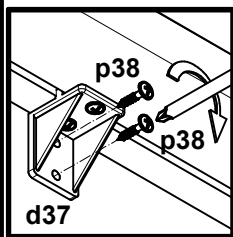
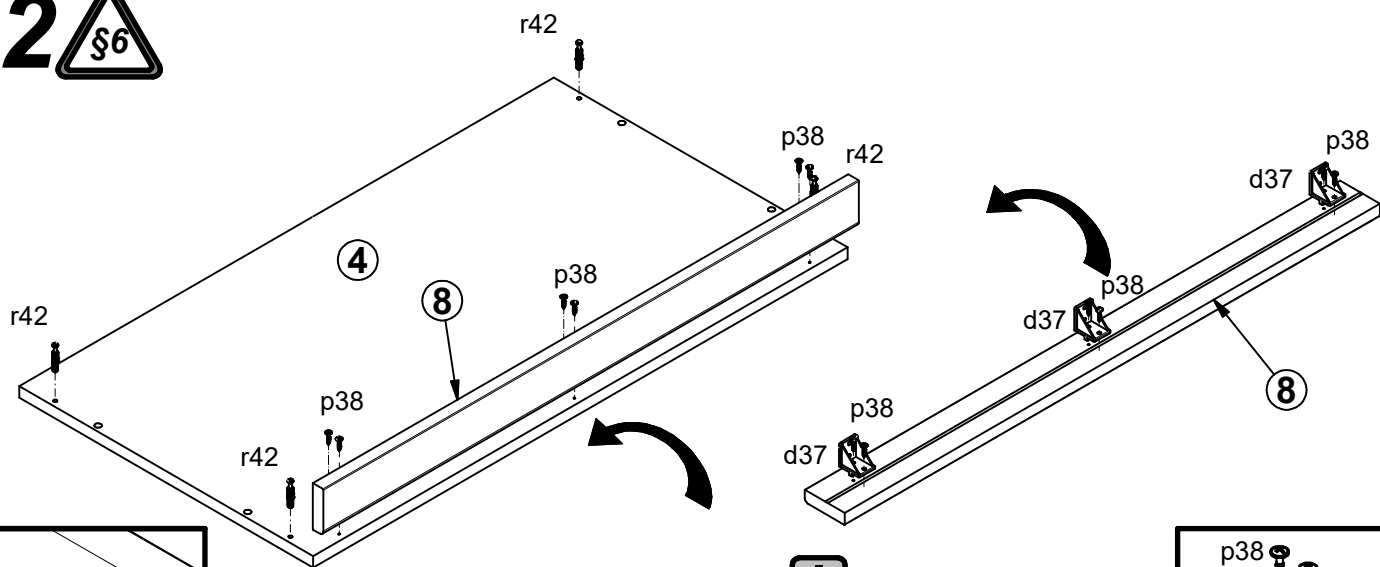


2x a158 Ø35 mm 90°	2x b78 H2	1x c296\8 L=180 160 mm	4x d1 Ø5x17 mm	3x d37	4x e2 Ø6,3x13 mm	13x f1 Ø8x30 mm	4x k1	25x l1 1.4x20 mm
1x m56\1 80N	1x m57\1	1x m57\3	5x p5 Ø3,5x13 mm	12x p38 Ø3,5x16 mm	2x p42 Ø3,5x25 mm	4x p51 Ø3,5x15 mm	8x r1 Ø15x12 mm #16	8x r42 20/11
4x s2 Ø16								
							1x n26\1	1x p38 Ø3,5x16 mm

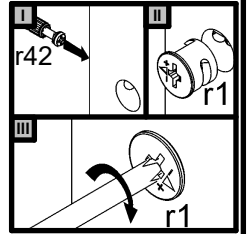
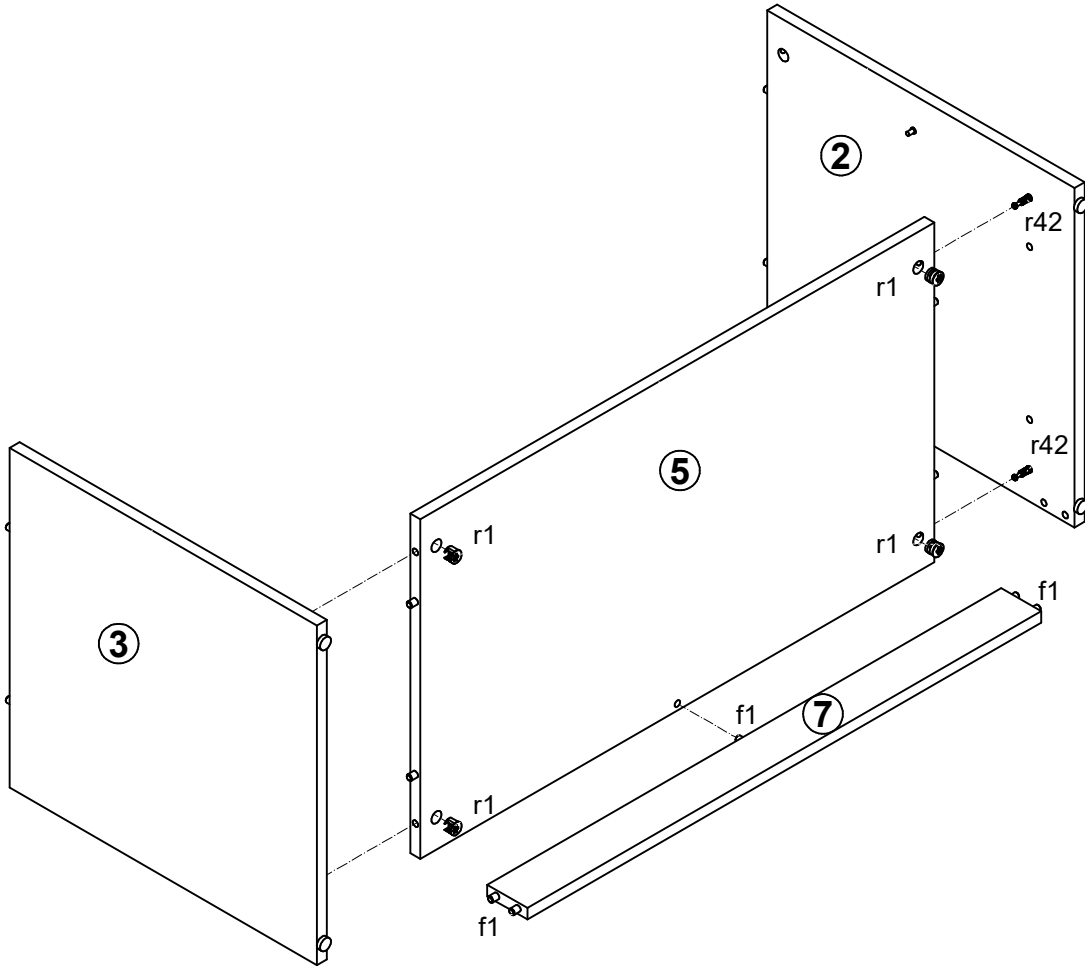
1



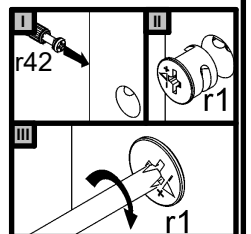
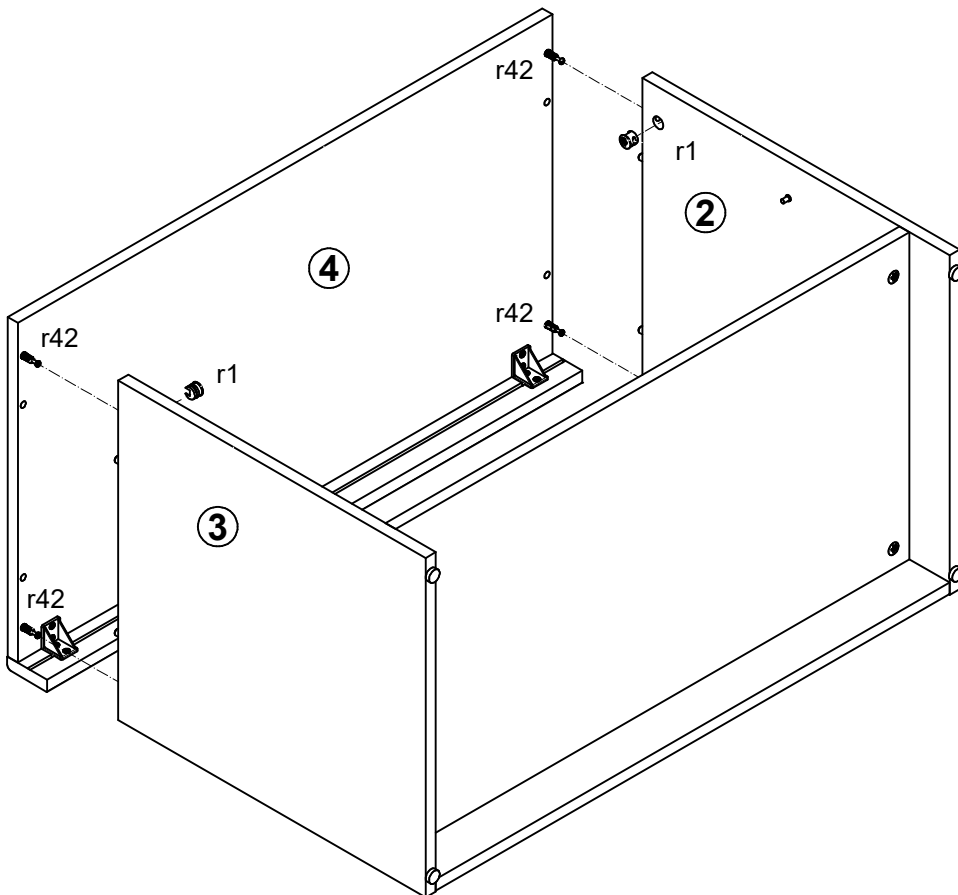
2



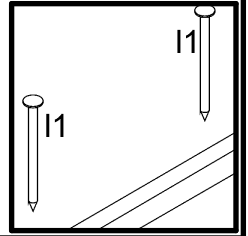
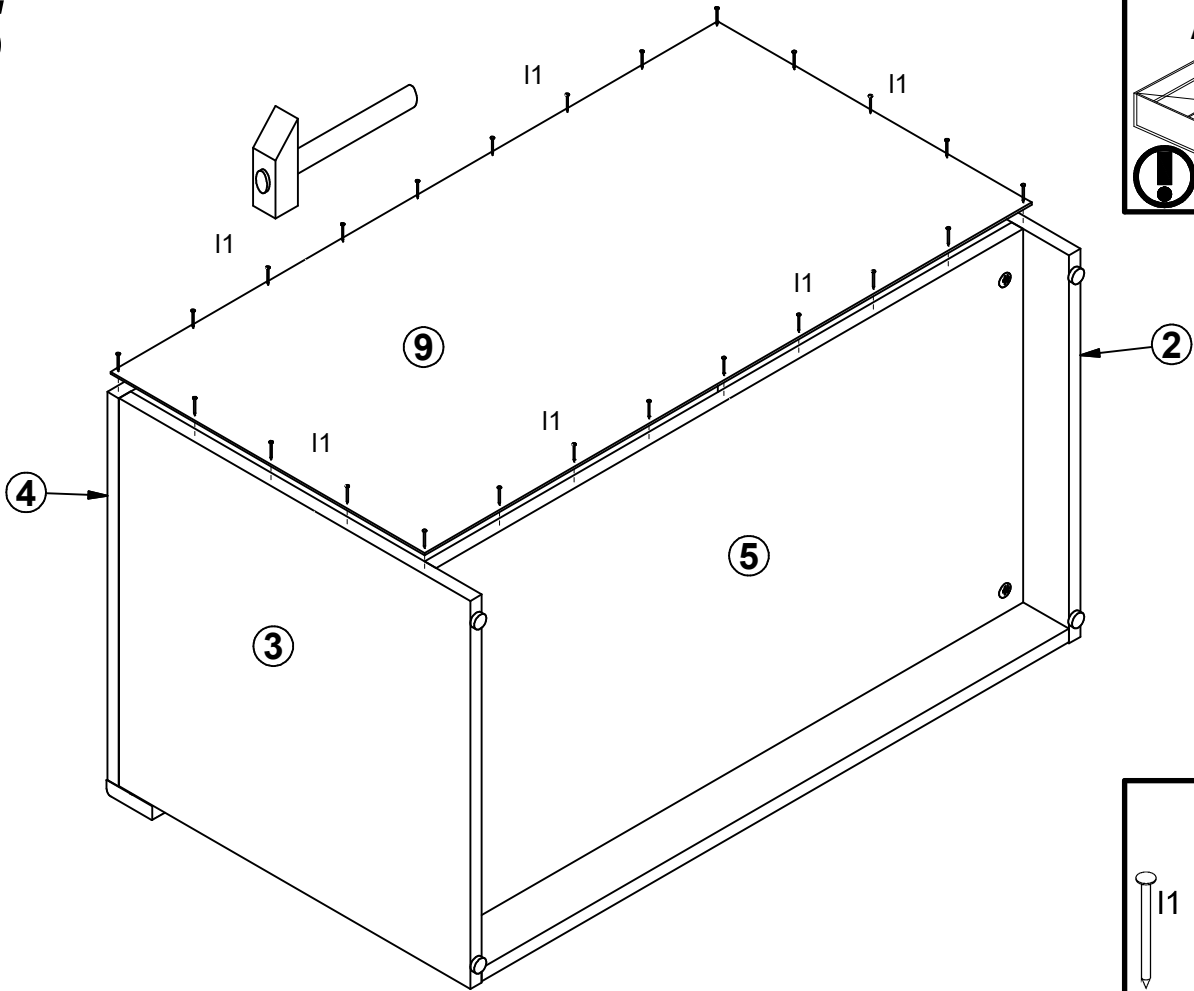
3



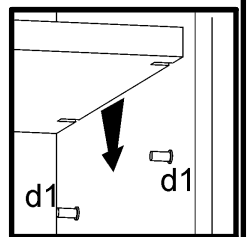
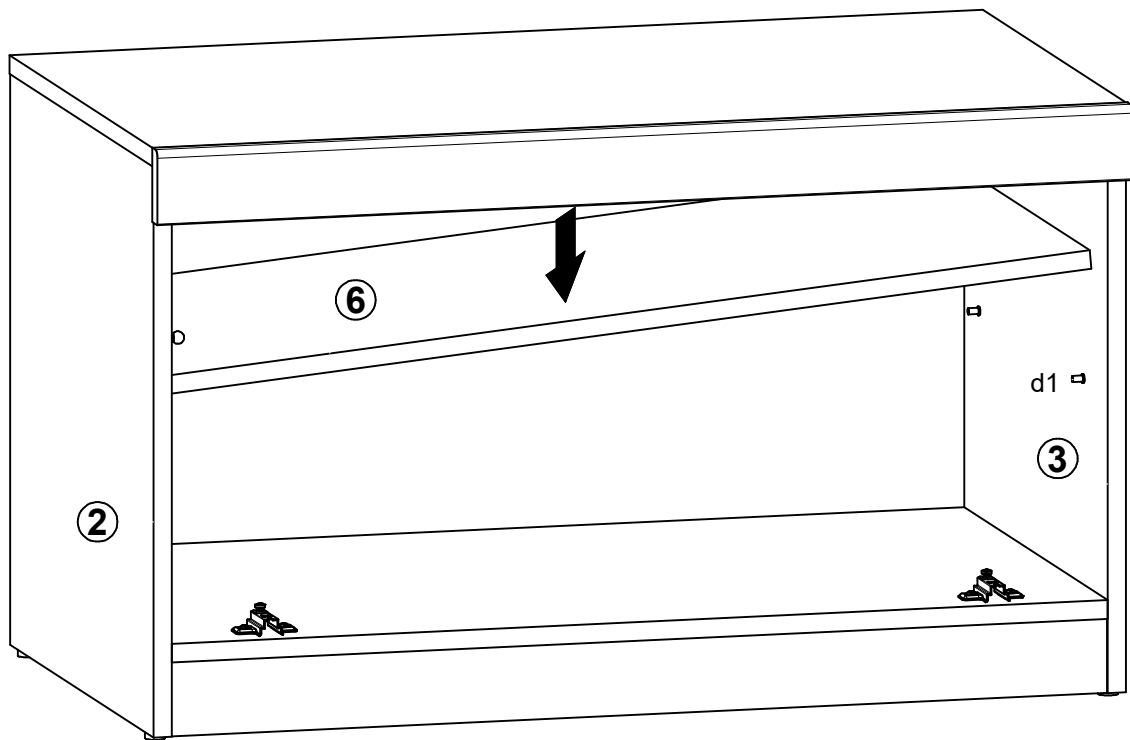
4



5



6



7

