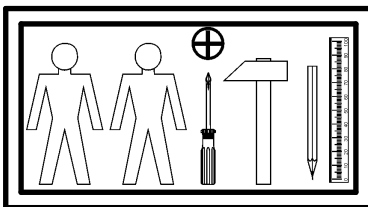
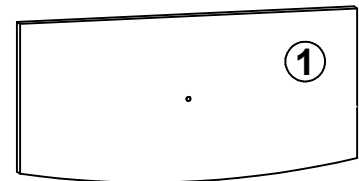
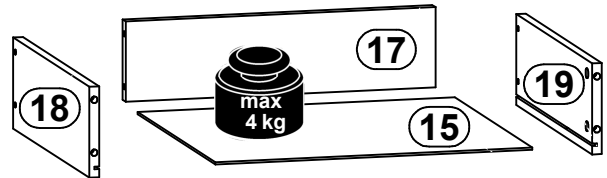
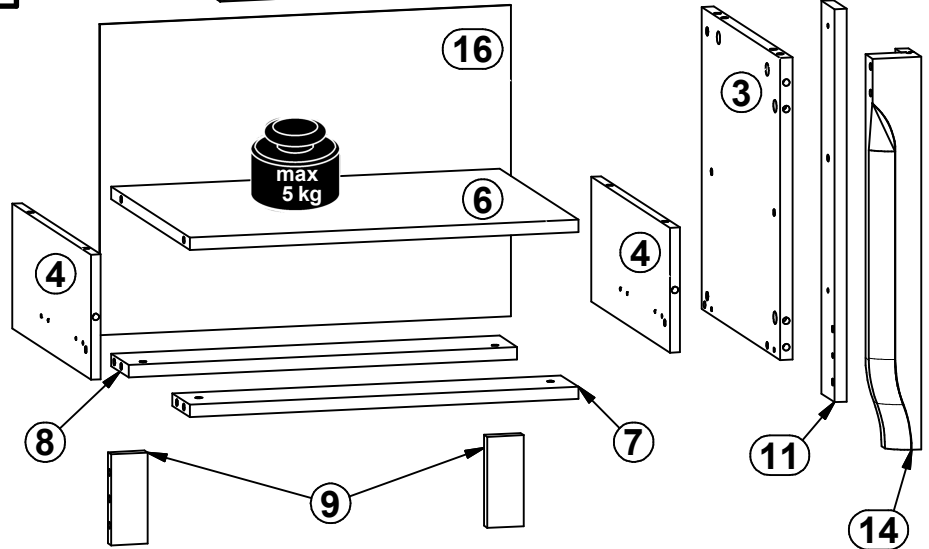
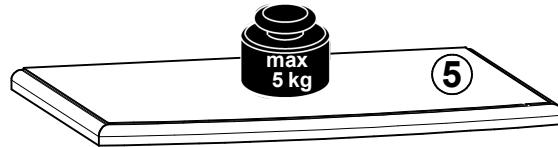
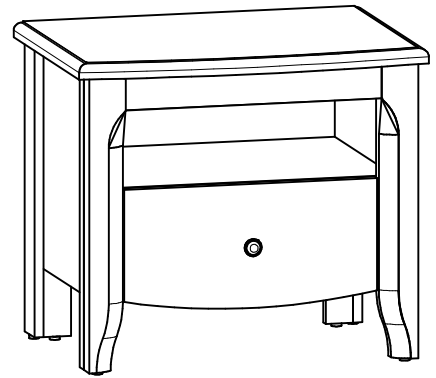
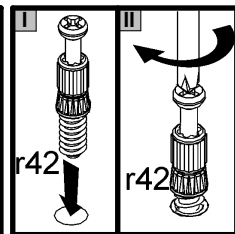
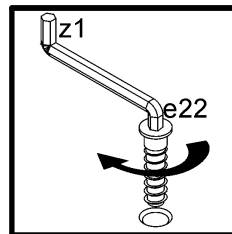
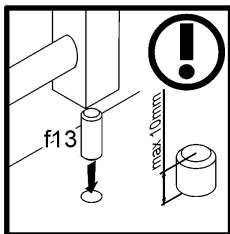
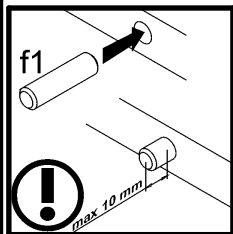
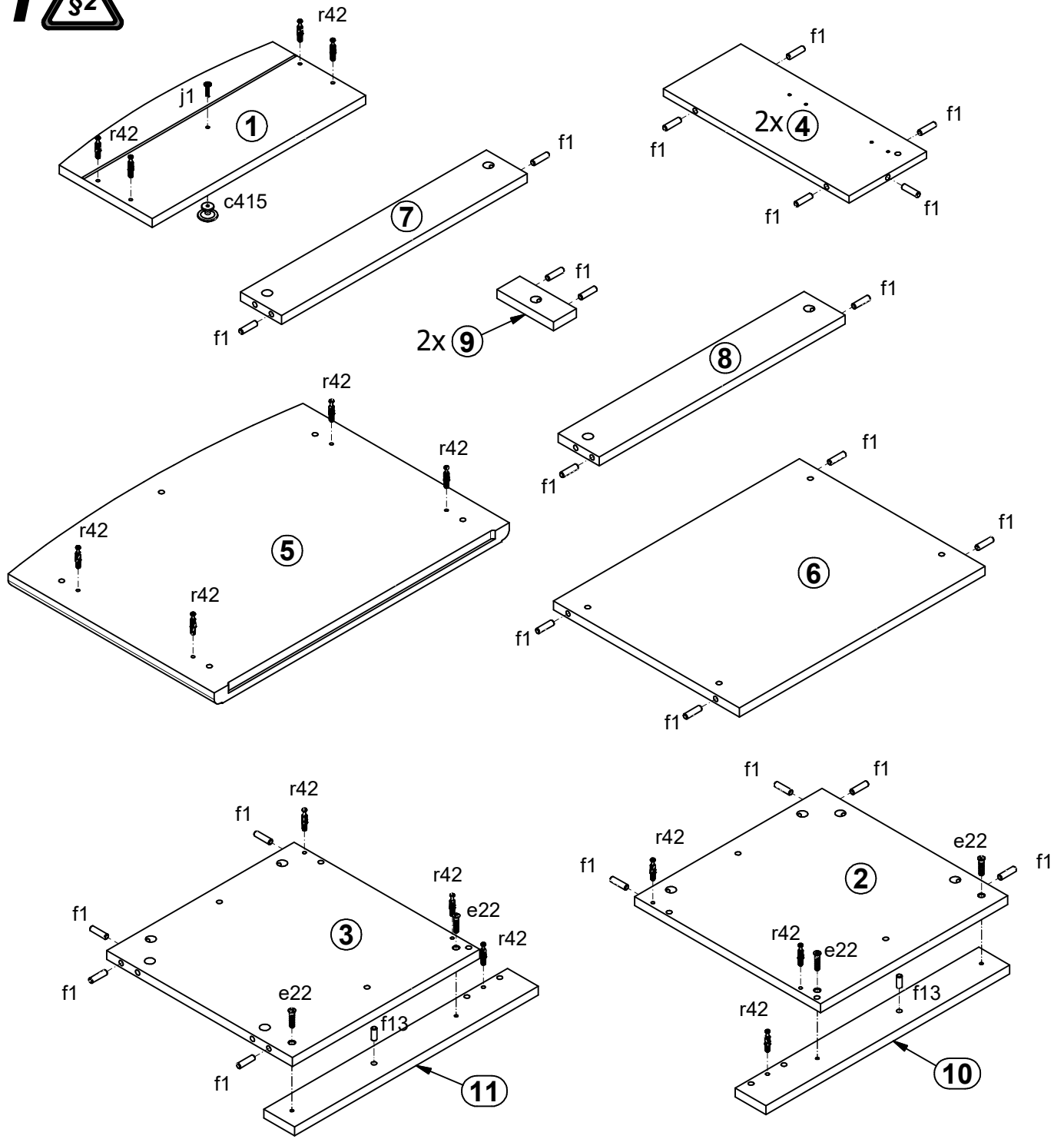


A	B	C	D	
1	S423-0010	416	200	1/1
2	S423-1016	365	362	1/1
3	S423-1017	365	362	1/1
4	S423-1018	362	151	1/1
5	S423-2006	575	425	1/1
6	S423-3008	479	362	1/1
7	S423-4008	479	80	1/1
8	S423-4009	479	80	1/1
9	S423-5003	110	45	1/1
10	S423-5040	475	60	1/1
11	S423-5041	475	60	1/1
12	S423-5042	421	54	1/1
13	S423-5043	475	60	1/1
14	S423-5044	475	60	1/1
15	S423-9004	391	357	1/1
16	S423-9005	507	376	1/1
17	ZQ6-5009	382	97	1/1
18	ZQ6-519	350	110	1/1
19	ZQ6-520	350	110	1/1

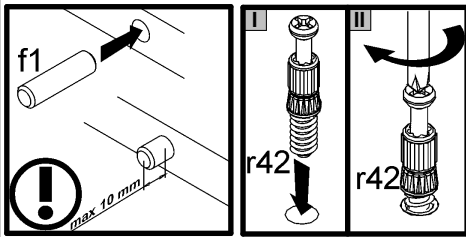
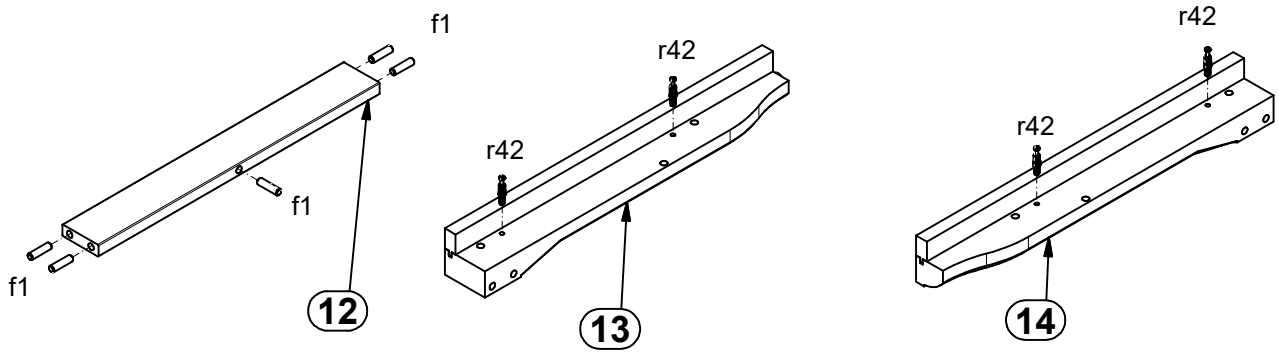


1x M4 c415	4x Ø7x28 mm e22	8x Ø6x13 mm e3	33x Ø8x30 mm f1	2x Ø8x20 mm f13	4x Ø6.5x40 mm f25	1x M4x20 mm j1	6x k1	20x 1.4x20 mm l1
4x Ø3.5x16 mm p38	2x Ø2.9x16 mm p55	4x Ø3.5x12 mm p140	14x Ø15x12 mm #16 r1	4x Ø12x10.5 mm #12 r15	18x 20/11 r42	1x 350 mm W117\L	1x 350 mm W117\P	2x Ø14x0.5 mm s59
6x Ø 20mm s68	1x n26	1x 4 mm z1						

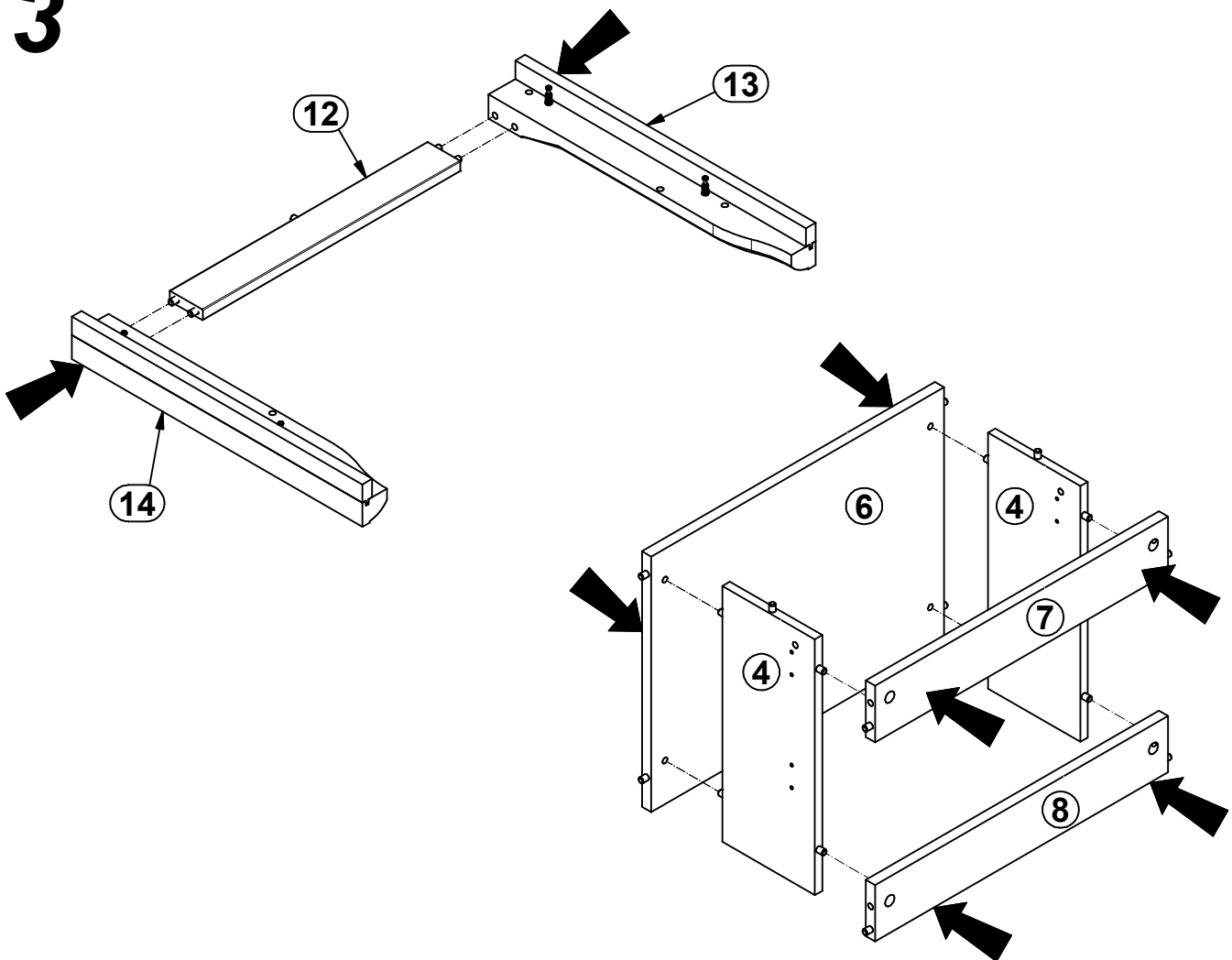
1 



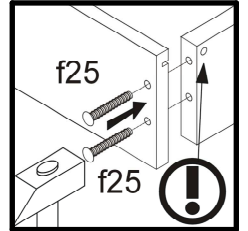
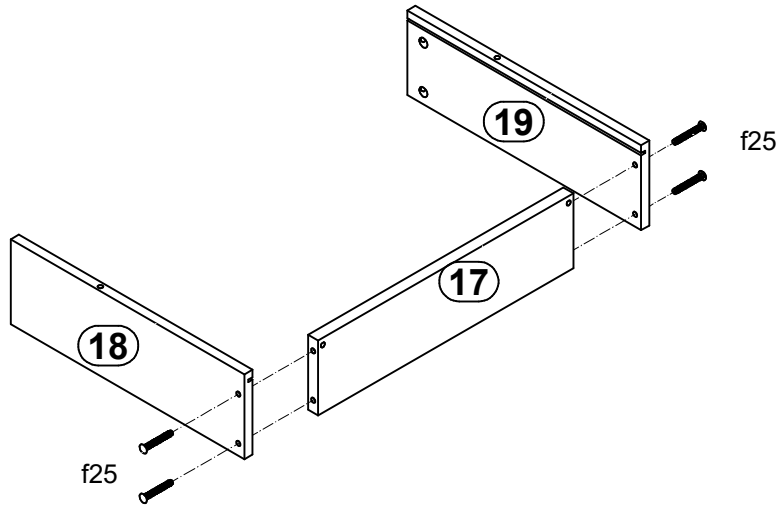
2



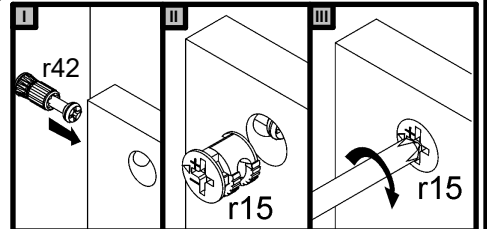
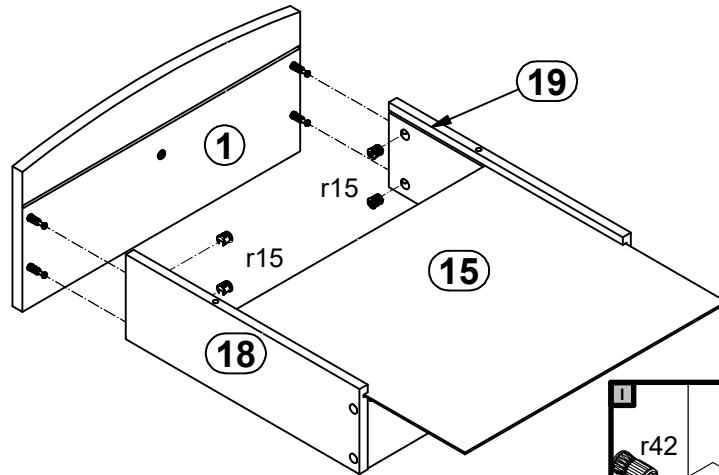
3



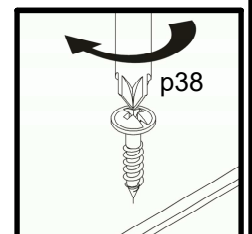
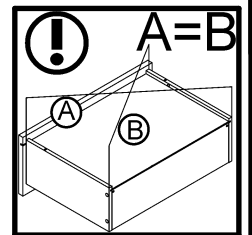
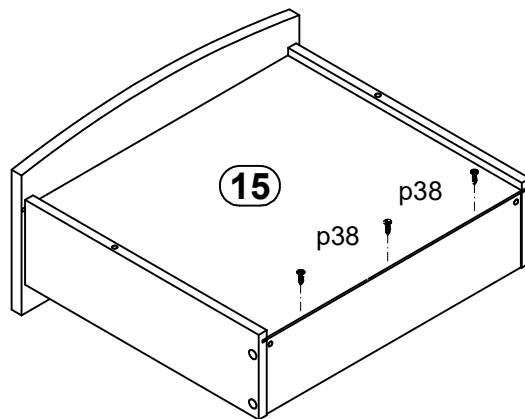
4



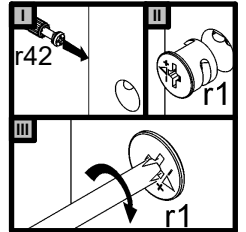
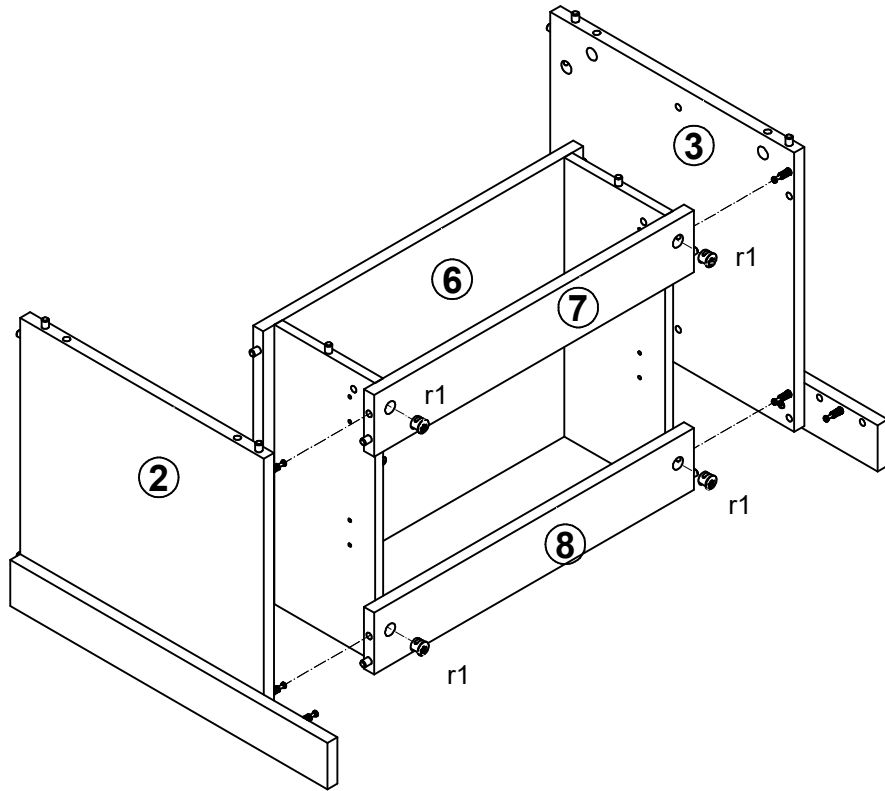
5



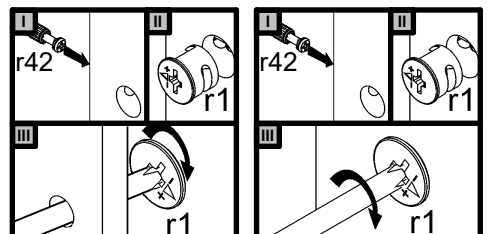
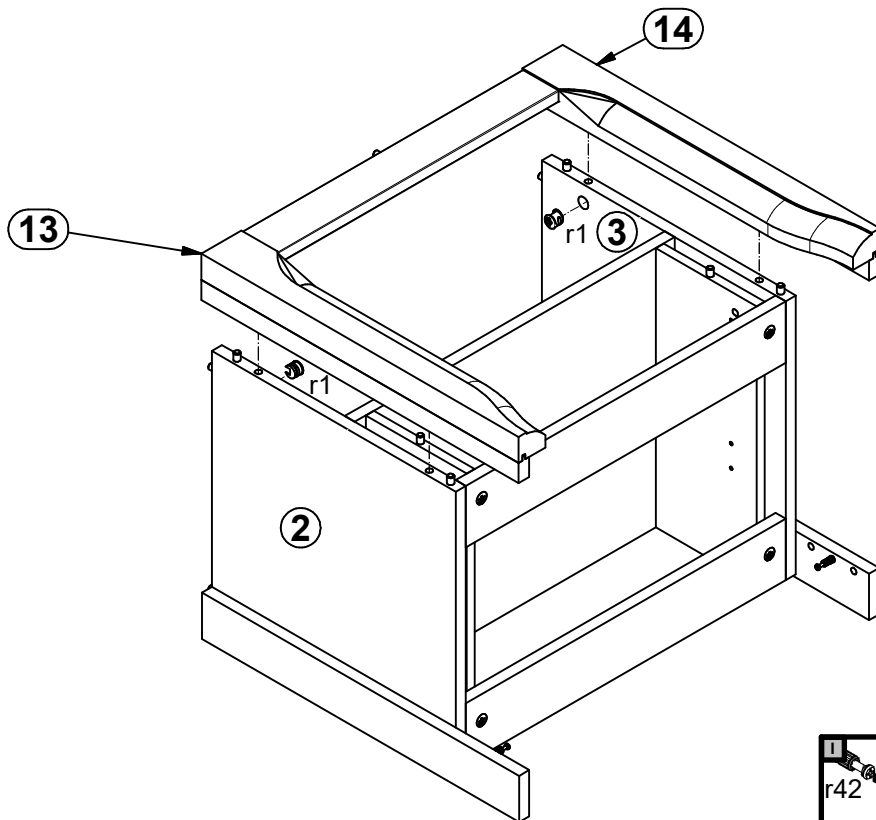
6



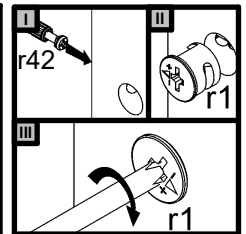
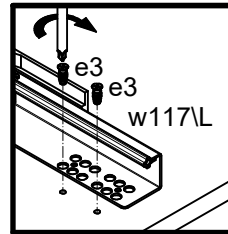
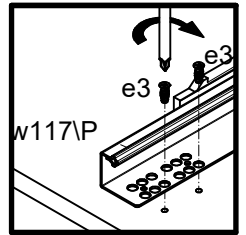
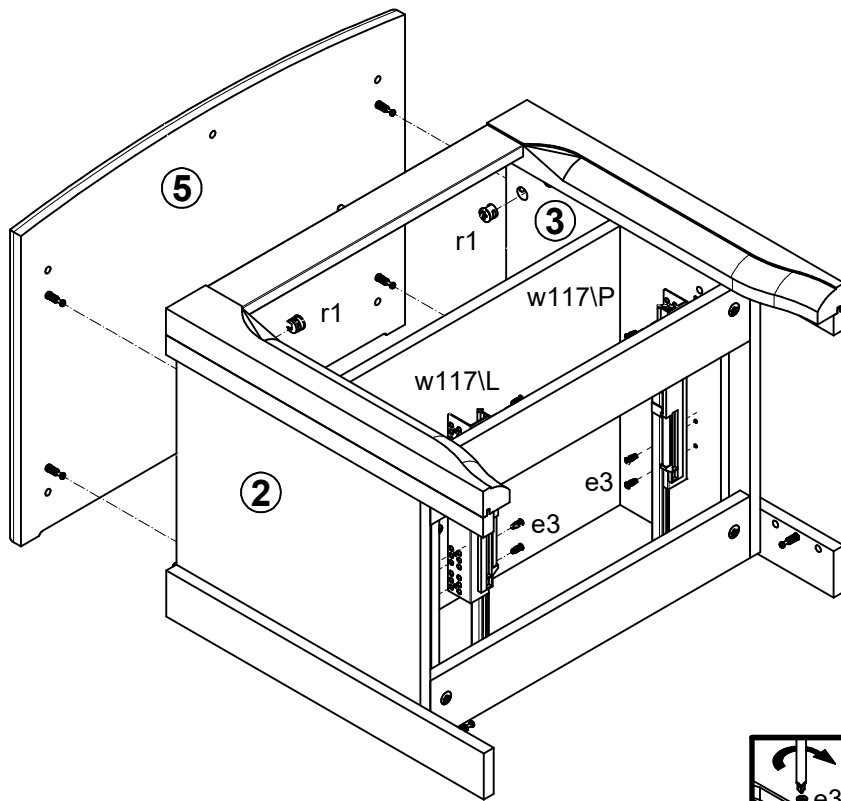
7



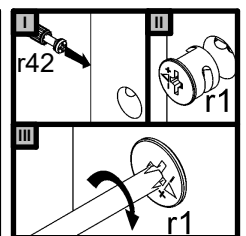
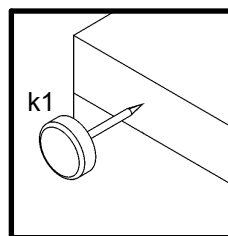
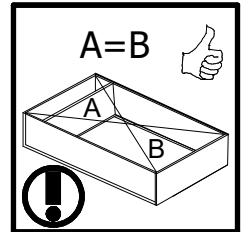
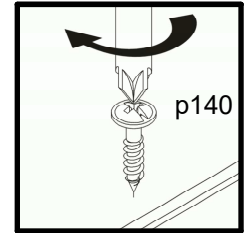
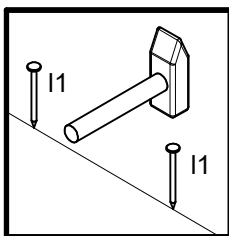
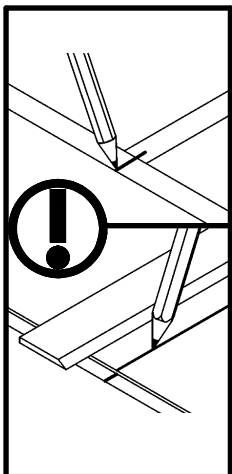
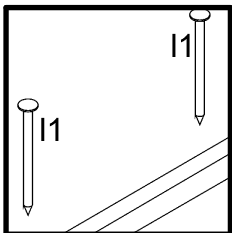
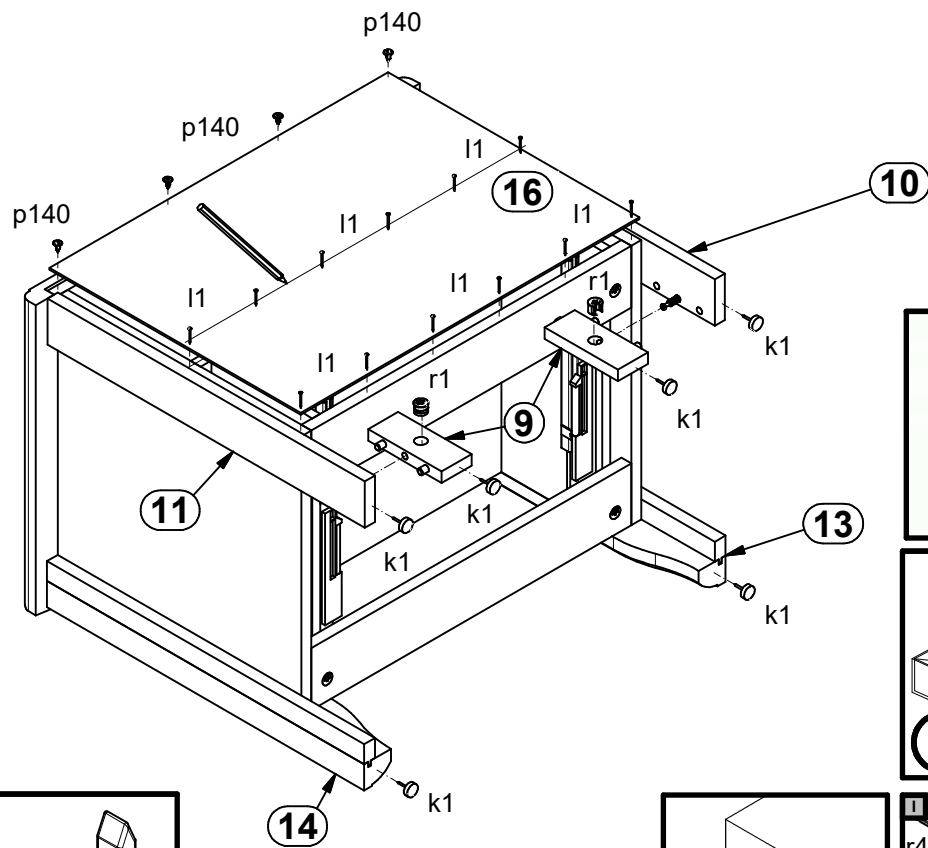
8



9



10



11

