

**A**

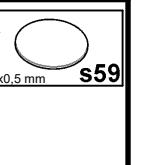
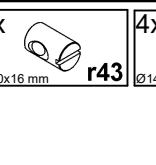
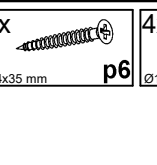
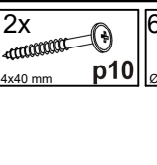
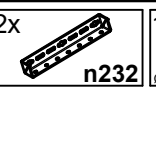
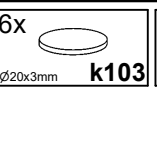
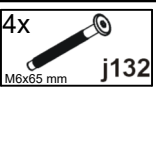
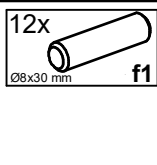
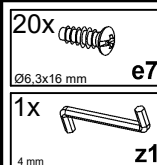
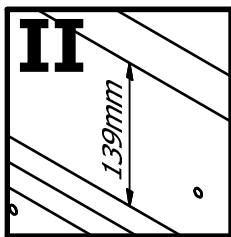
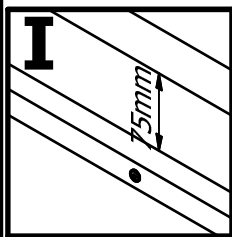
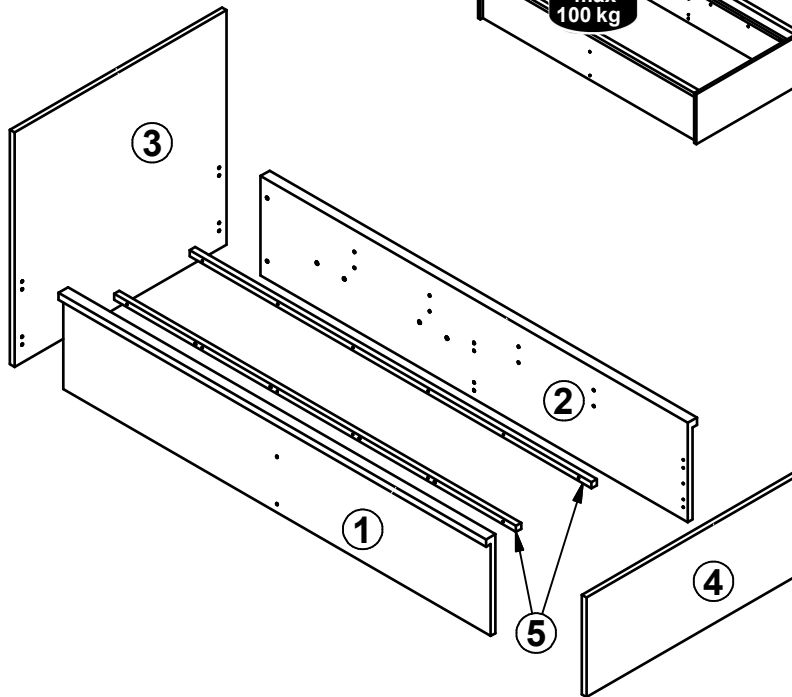
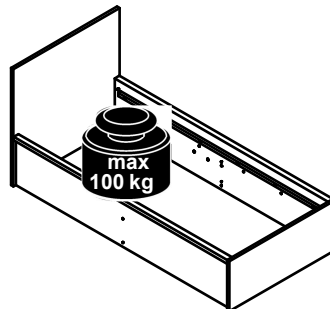
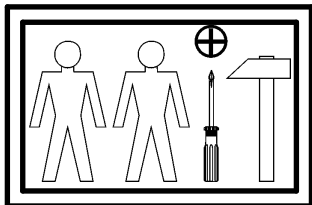
**TETRIX**

**S442-LOZ/90/A S442-LOZ/90/B**

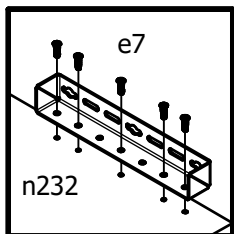
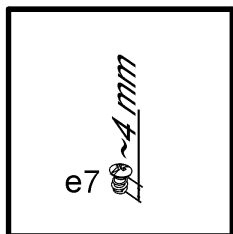
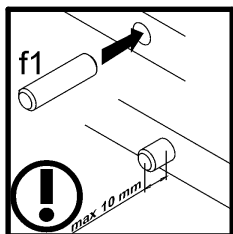
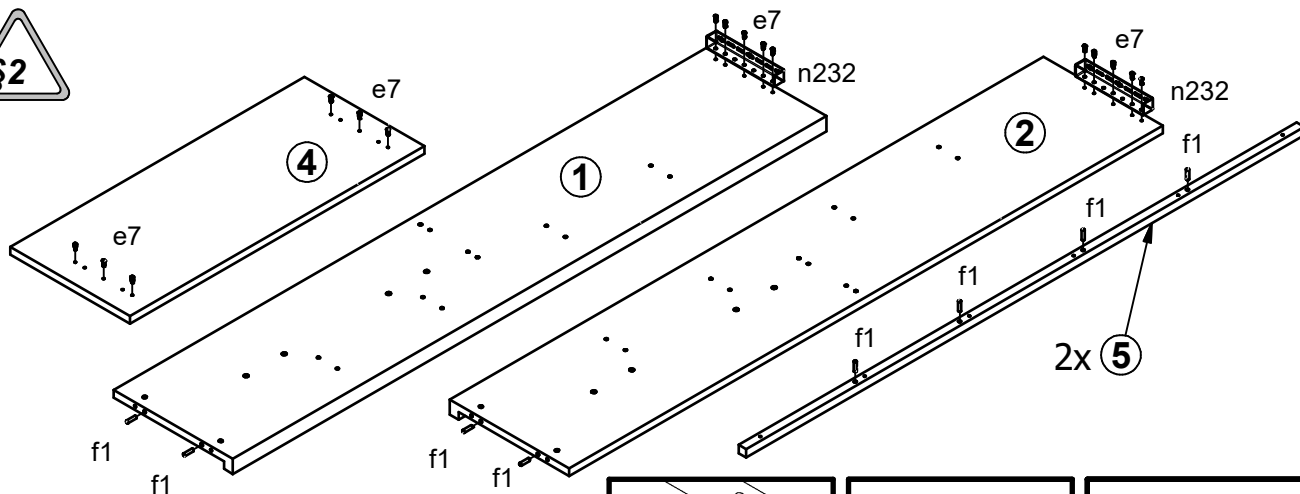
A	B	C	D
1	S442-1001	2000	402 2/3
2	S442-1002	2000	402 2/3
3	S442-4010	992	950 1/3
4	S442-4011	992	404 1/3
5	ZZ1-747	1880	25 3/3



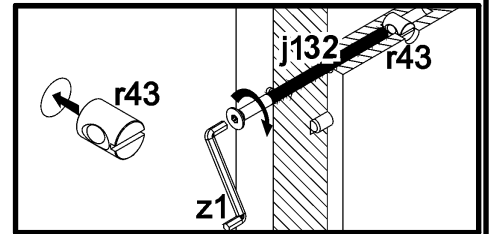
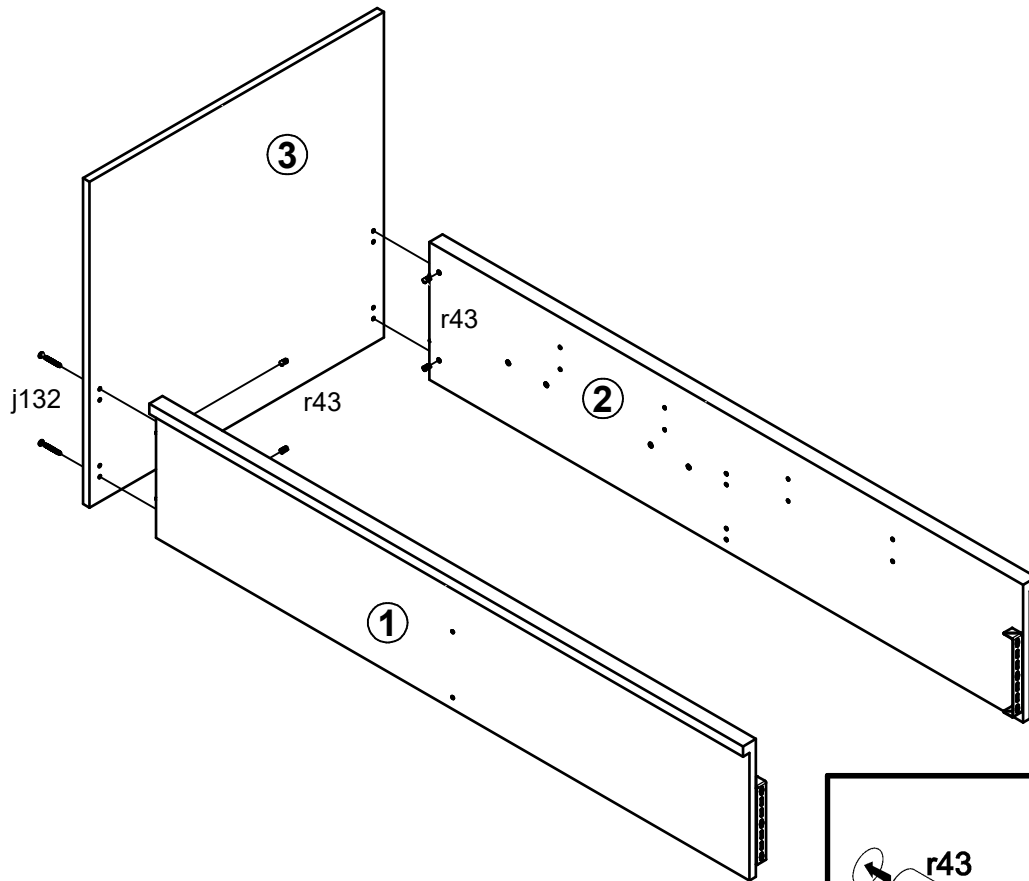
**S442-LOZ/90/A**



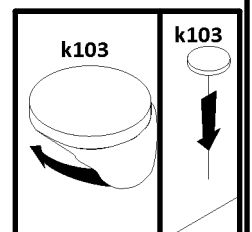
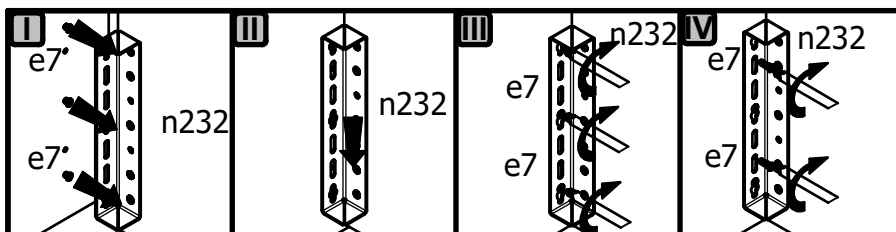
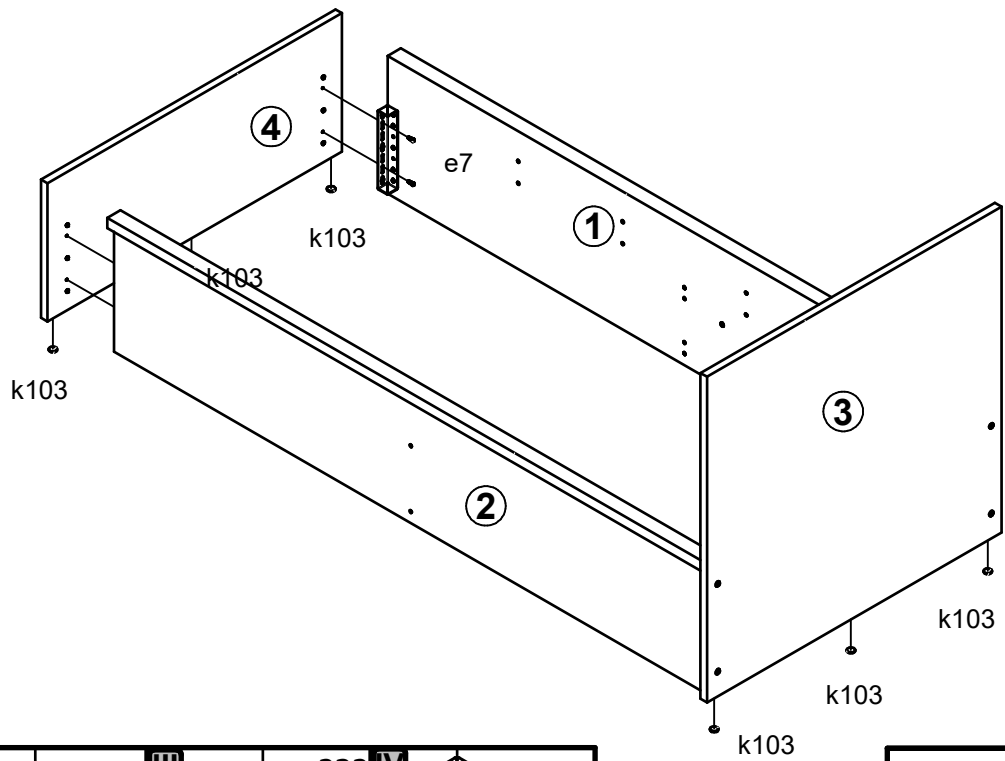
**1** §2



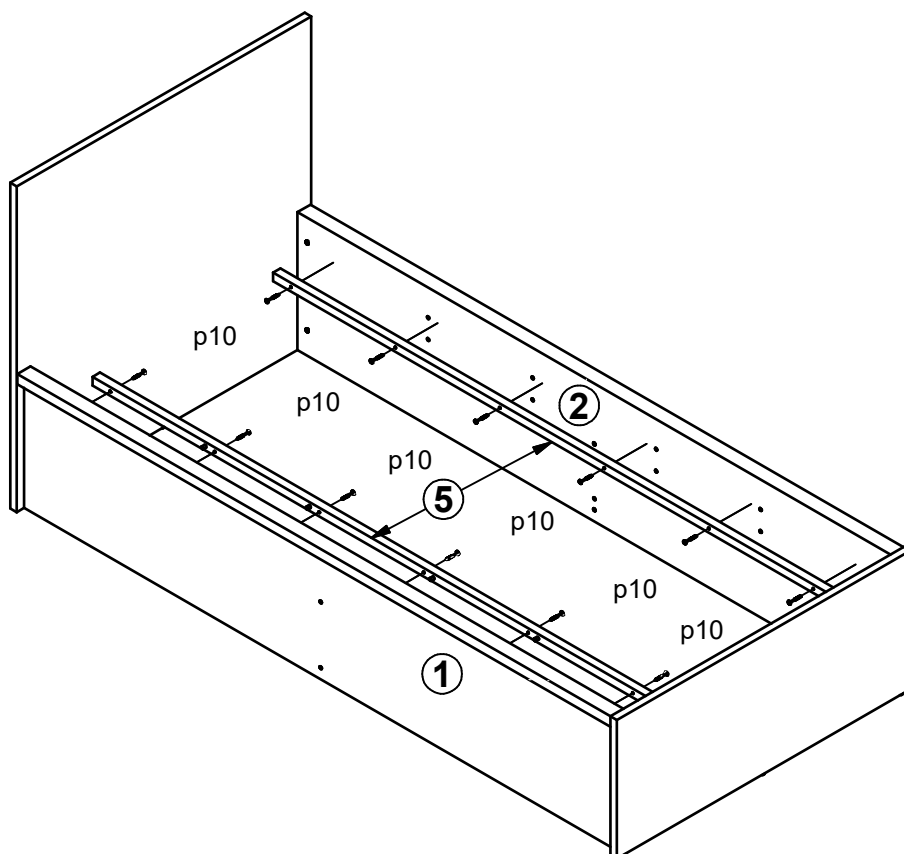
# 2



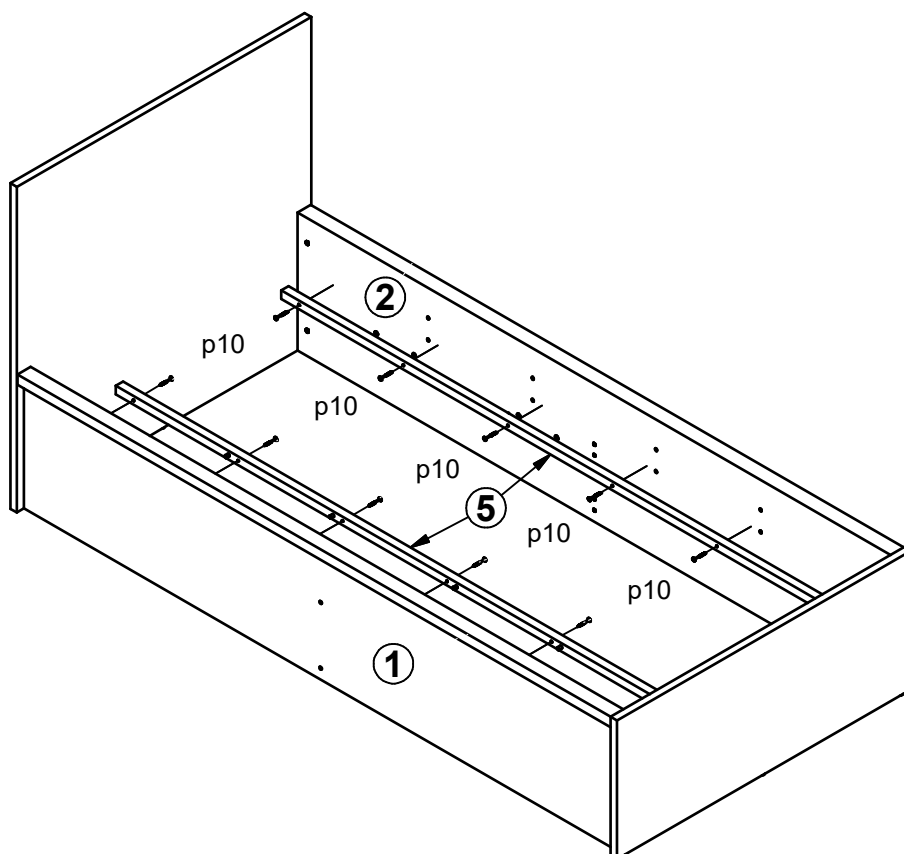
# 3



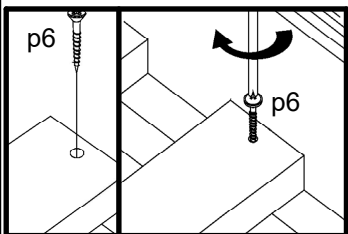
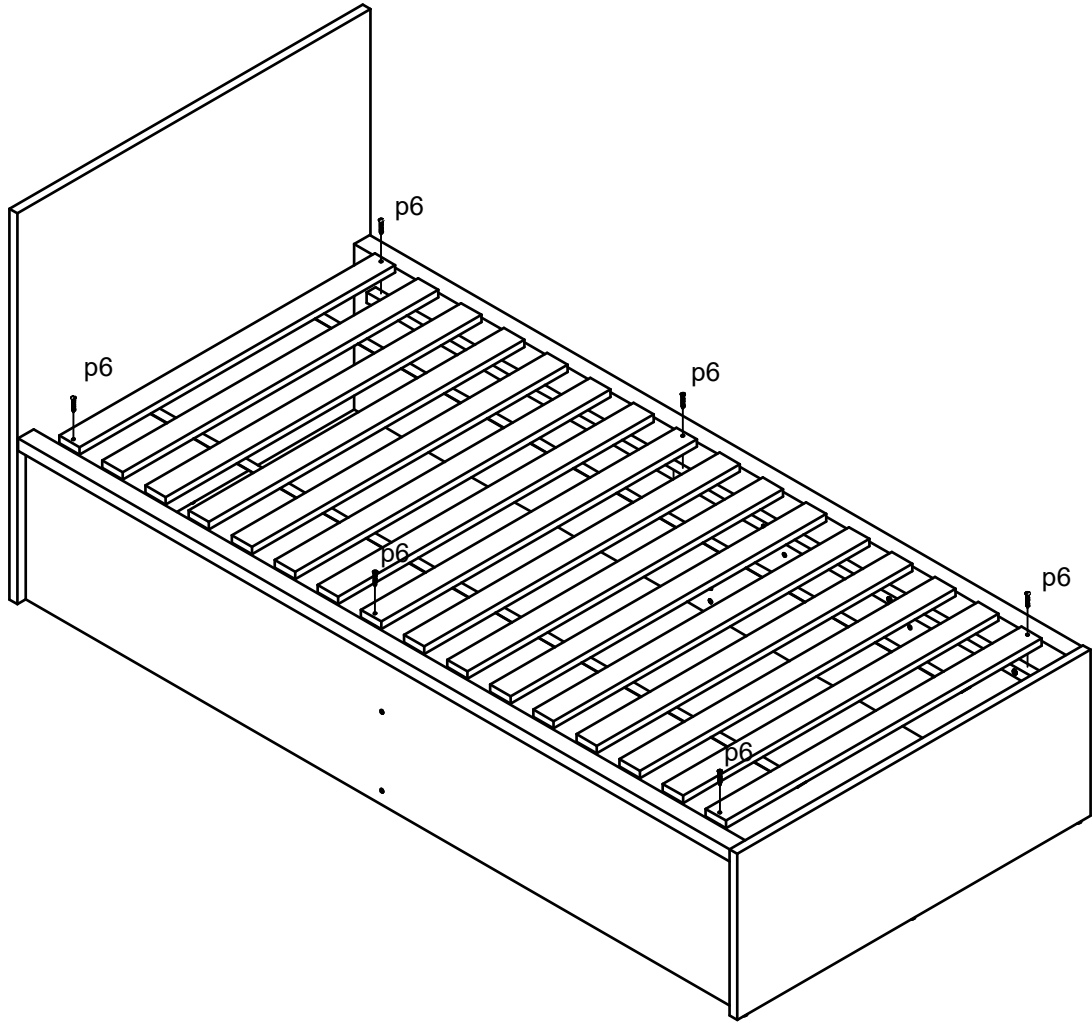
# 4 I



# 4 II

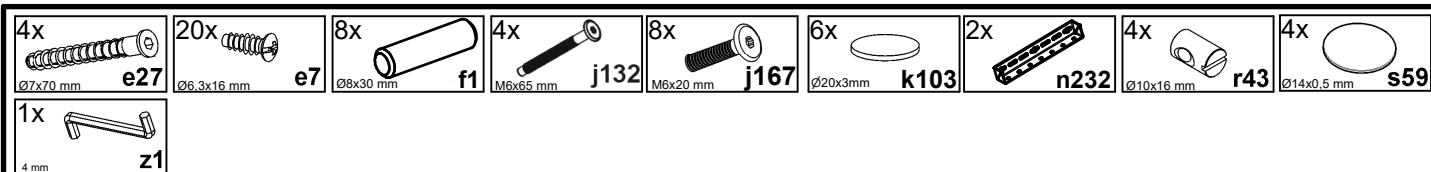
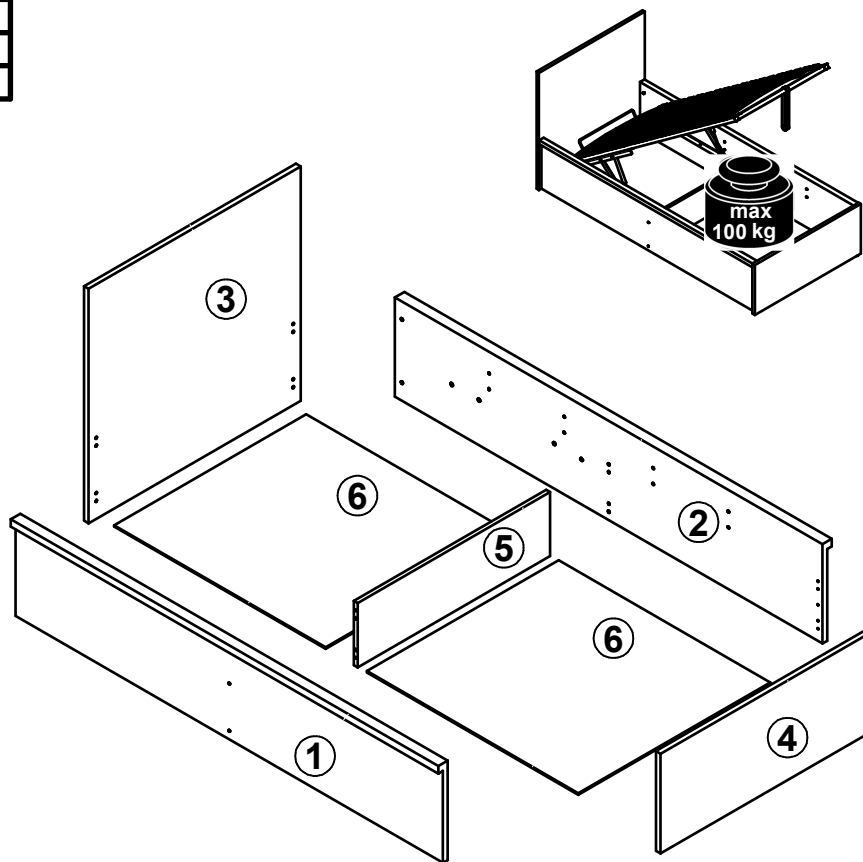
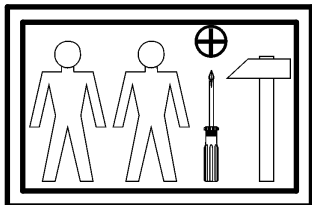
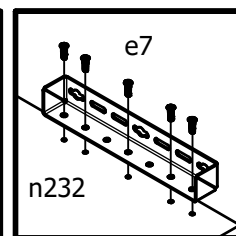
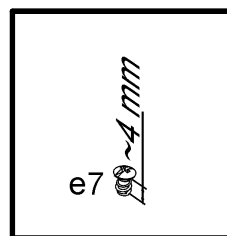
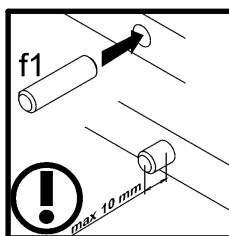
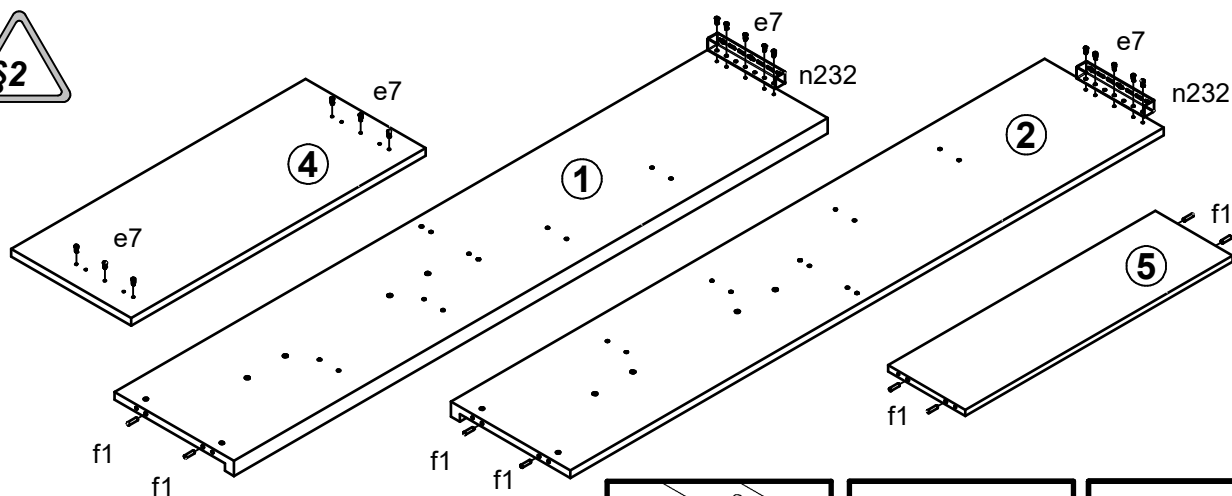


# 5

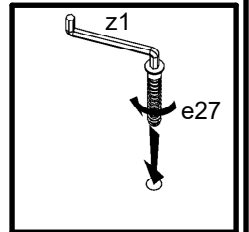
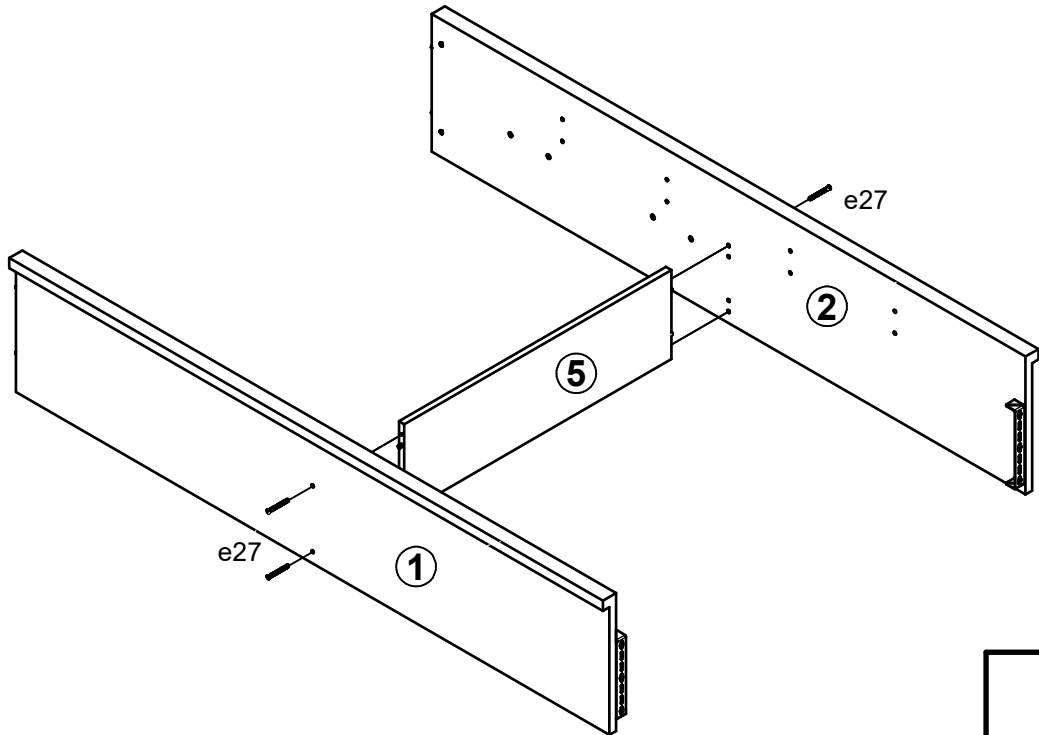


**A****TETRIX****S442-LOZ/90/A****S442-LOZ/90/B**

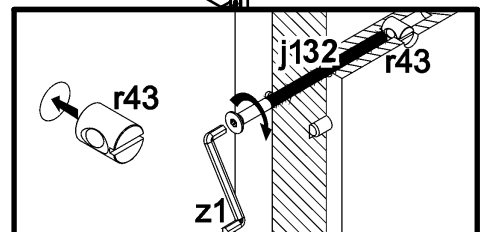
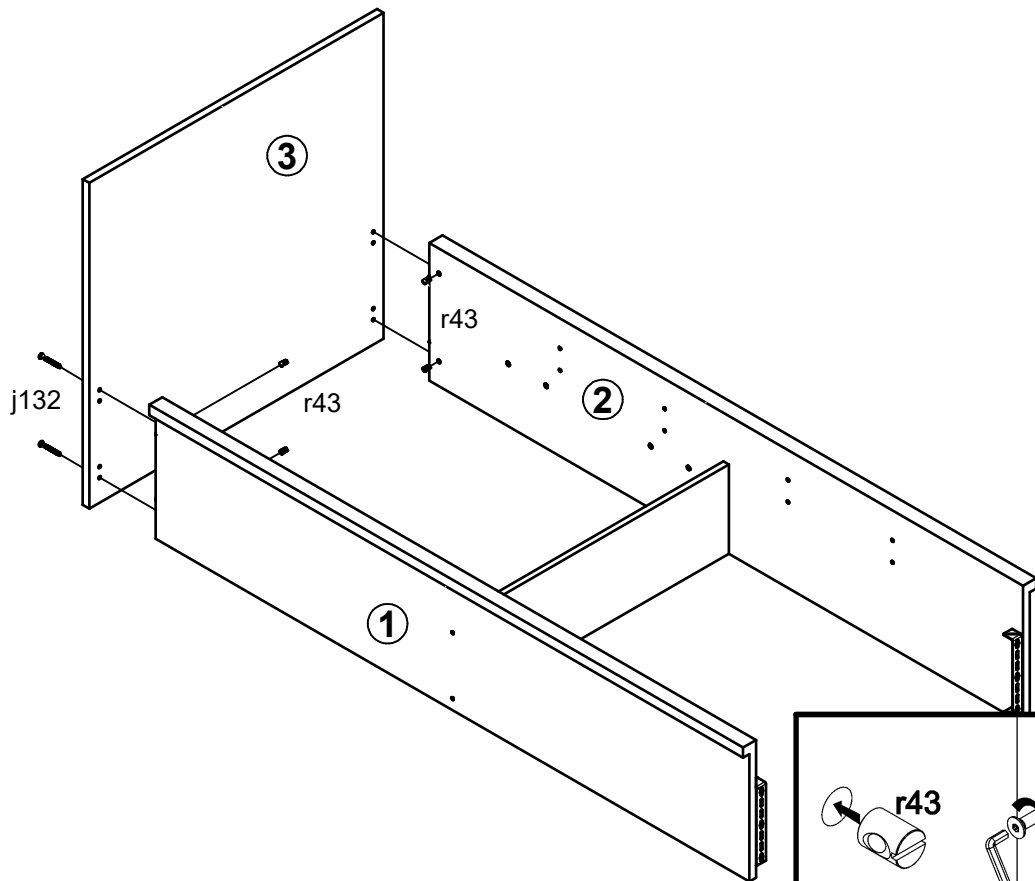
A	B	C	D
1	S442-1001	2000	402
2	S442-1002	2000	402
3	S442-4010	992	950
4	S442-4011	992	404
5	S442-4012	900	260
6	S442-9004	898	989

**S442-LOZ/90/B****1** 

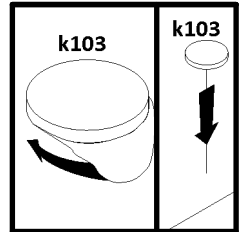
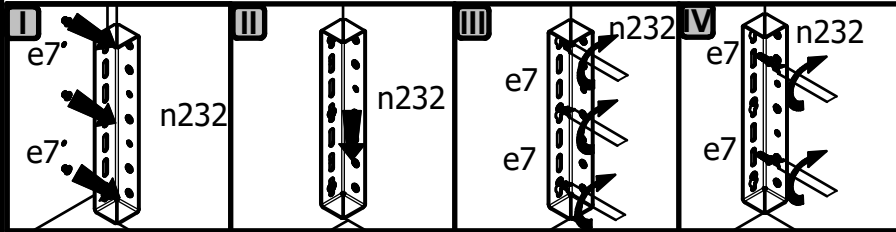
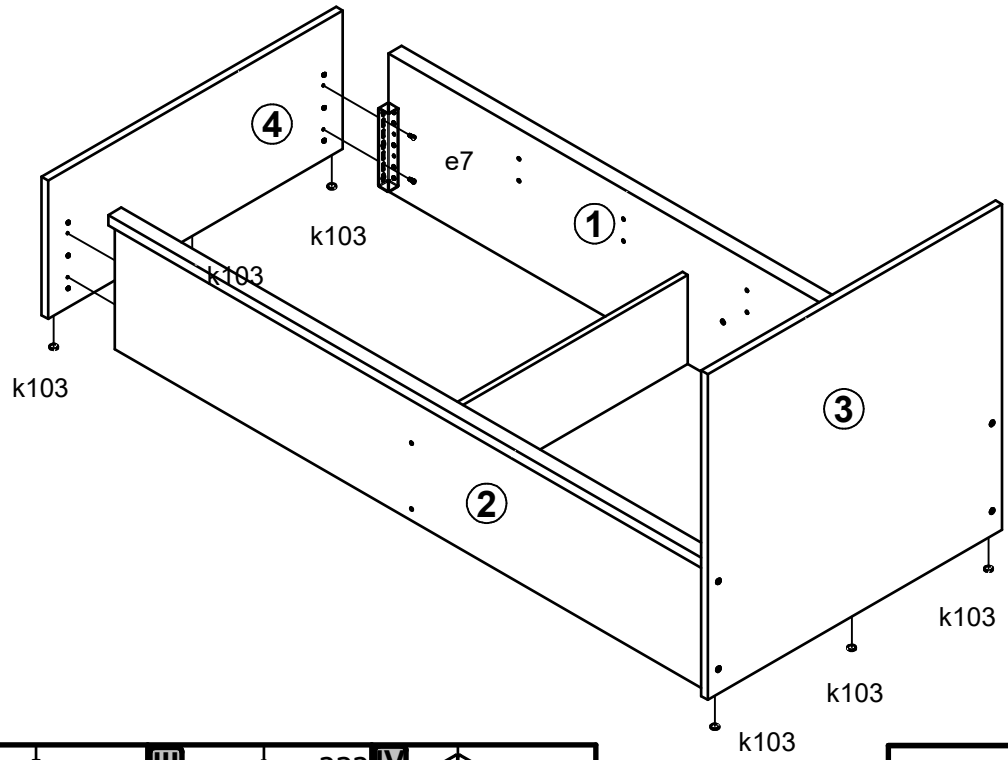
# 2



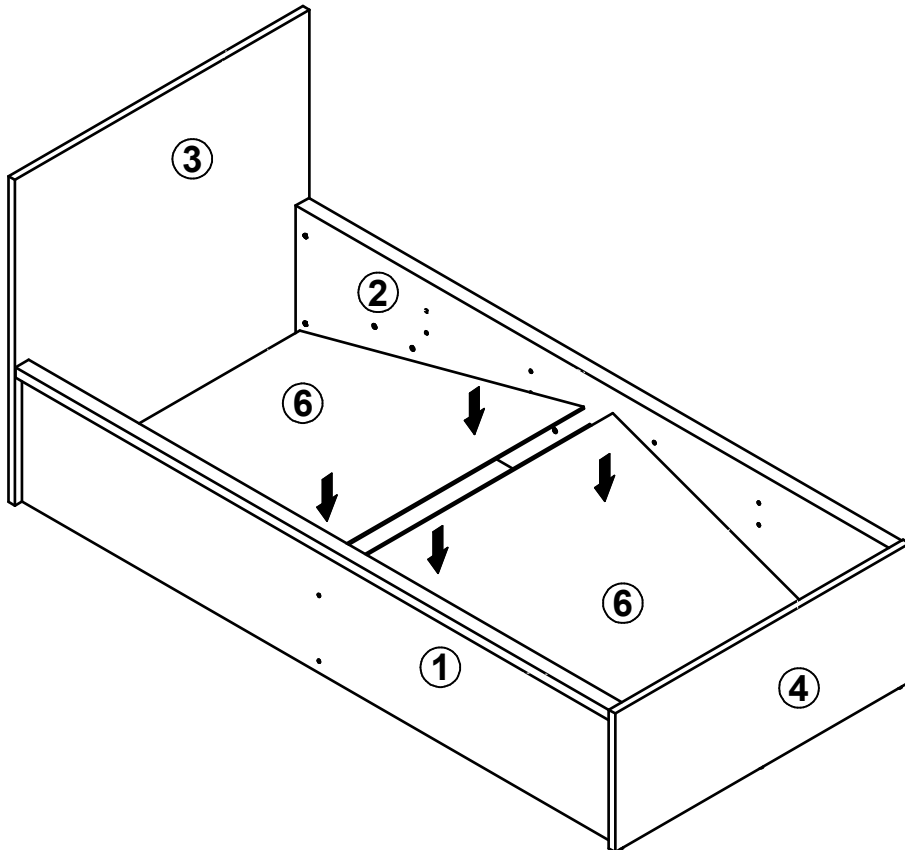
# 3



# 4



# 5



6

