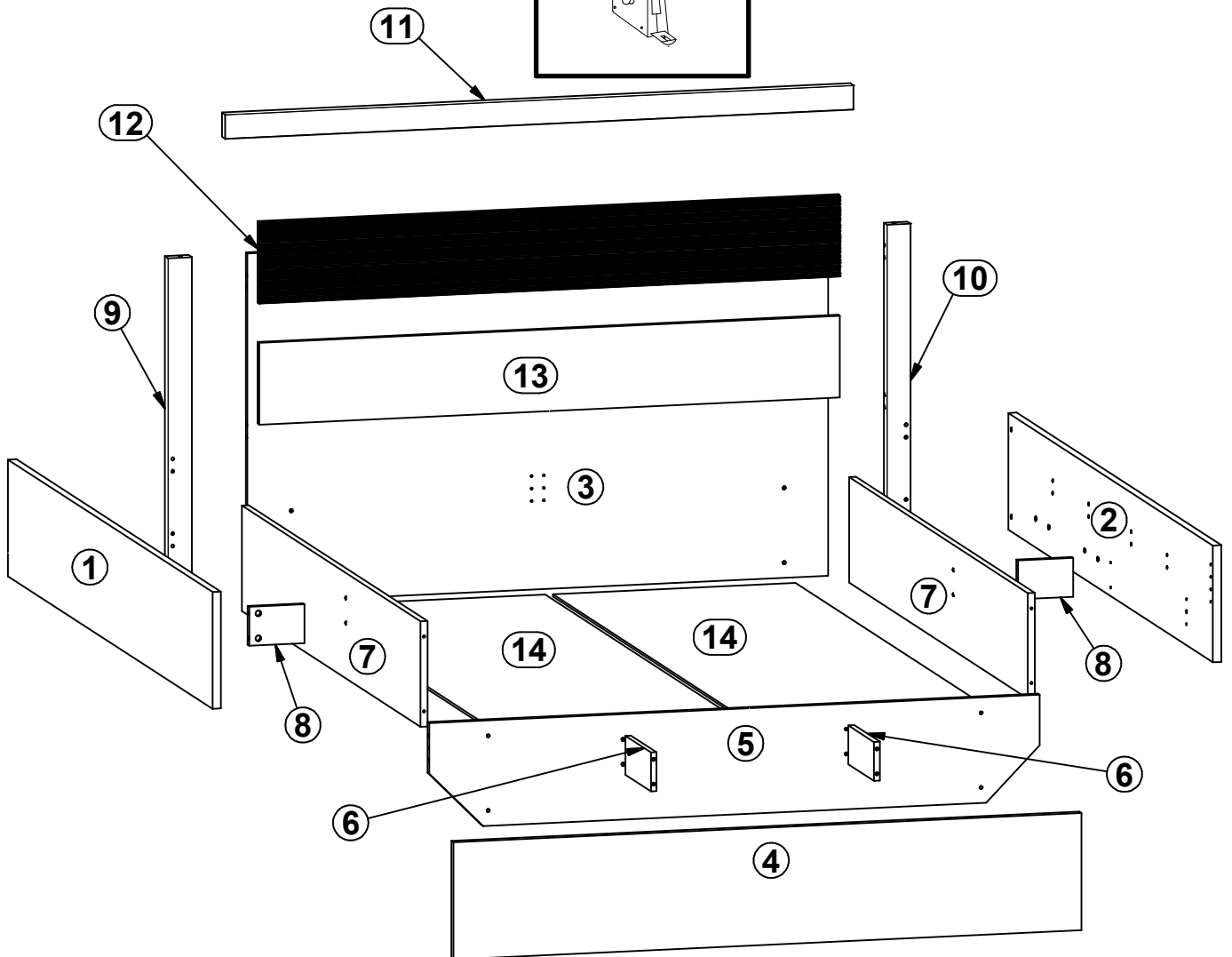
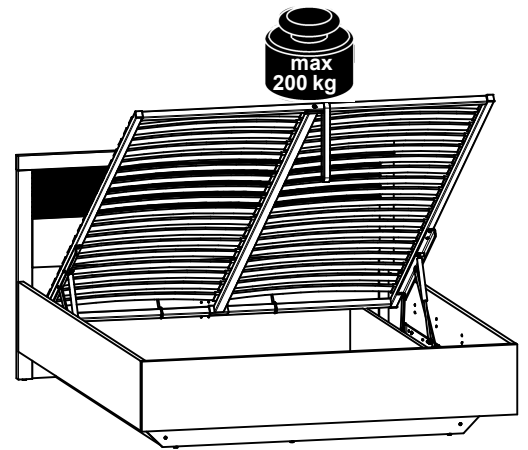
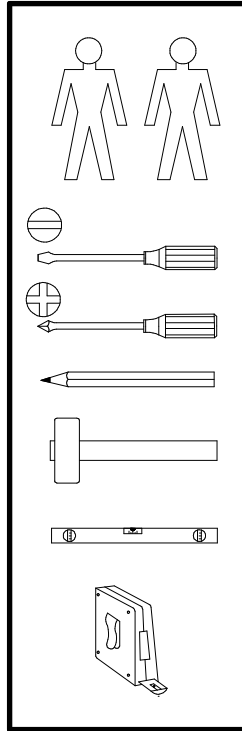
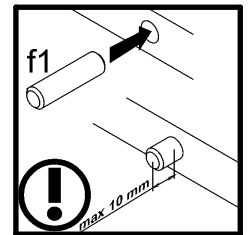
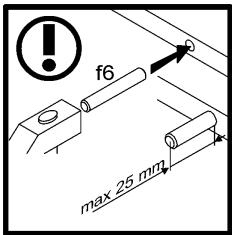
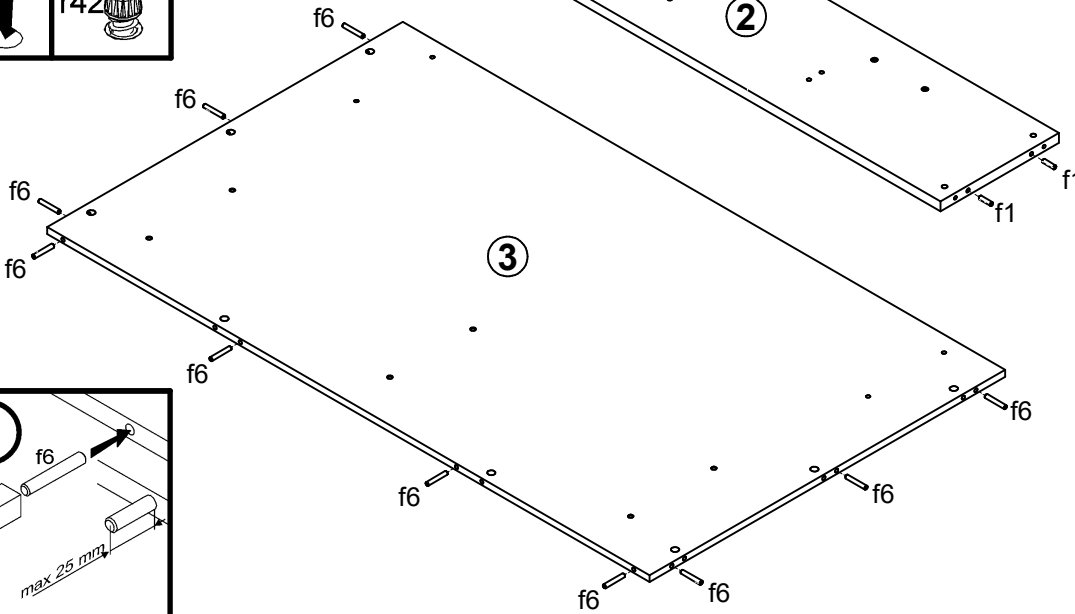
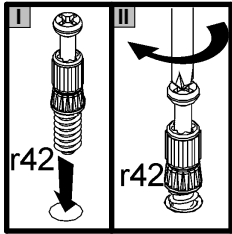
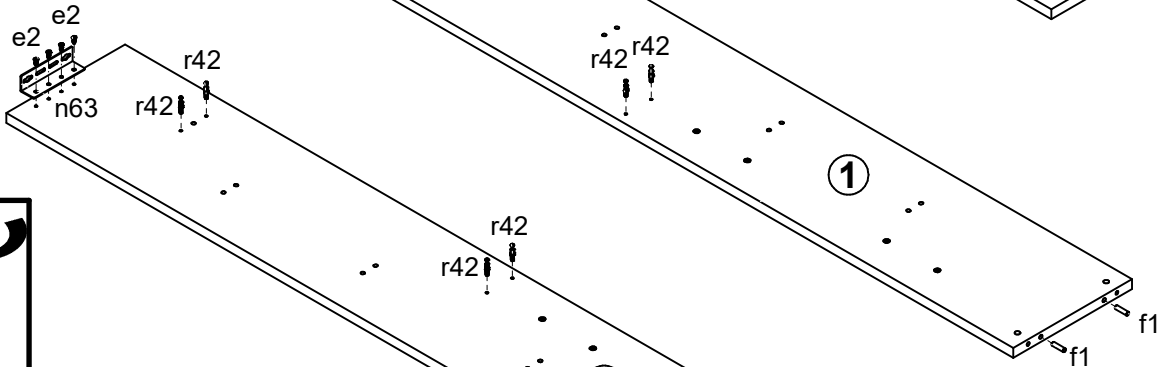
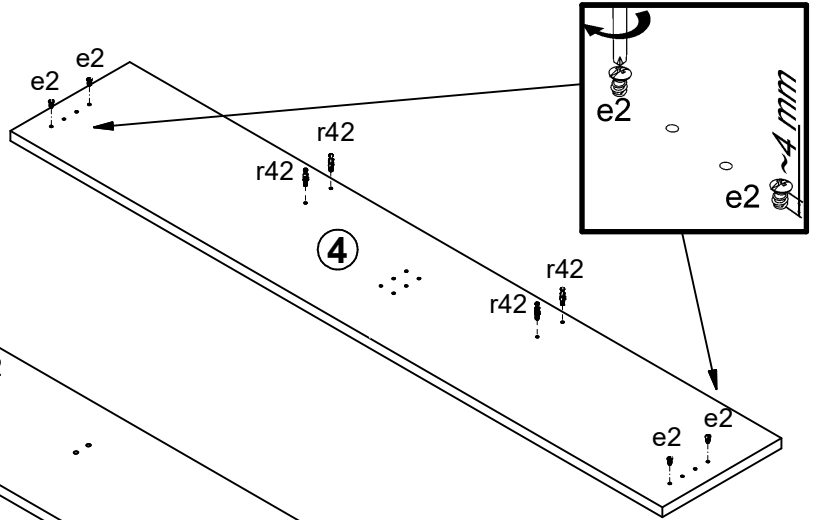
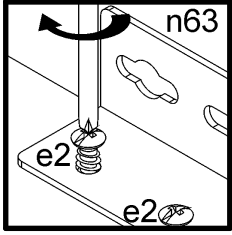
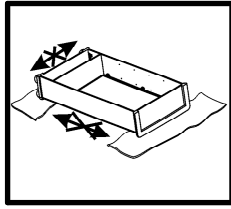


A	B	C	D
1	S428-1020	2000	300
2	S428-1021	2000	300
3	S428-4004	1522	898
4	S428-4005	1646	301
5	S428-4006	1600	271
6	S428-4007	250	100
7	S428-4008	1748	271
8	S428-4012	145	100
9	S428-5020	898	62
10	S428-5021	898	62
11	S428-5022	1647	62
12	S428-5023	1522	210
13	S428-5025	1522	210
14	S428-9006	1746	636

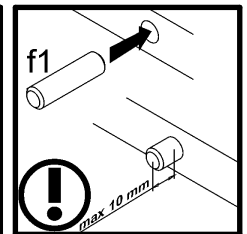
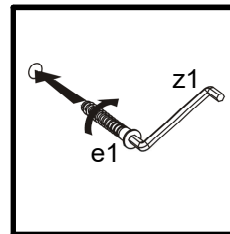
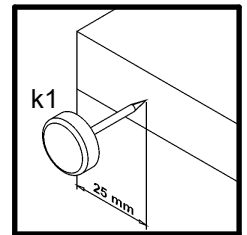
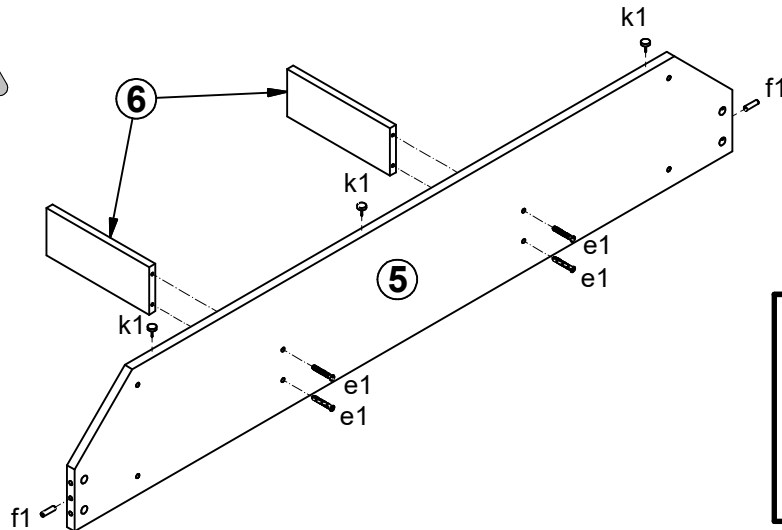


16x Ø7x50 mm e1	16x Ø6,3x13 mm e2	6x Ø7x24 mm e45	6x Ø8x30 mm f1	4x Ø8x20 mm f13	10x Ø8x50 mm f6	8x M6x20 mm j167	4x M6x70 mm j171	6x k1
2x 130x34x34/2 mm n63	32x Ø15x12 mm #16 r1	12x 20/11 r42	4x Ø10x16 mm r43	10x 40 mm r51	2x Ø14x0,5 mm s59	1x 4 mm z1		

1 §2

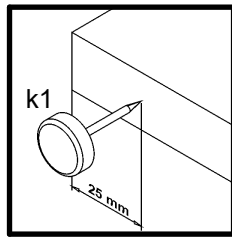
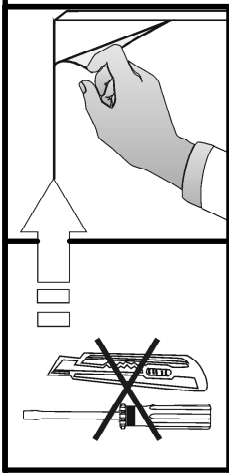
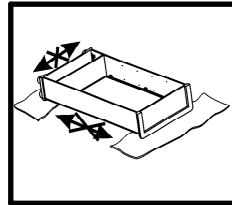
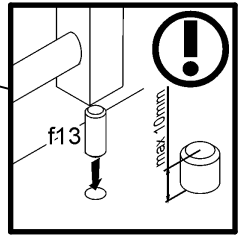
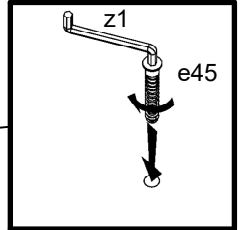


2 §6



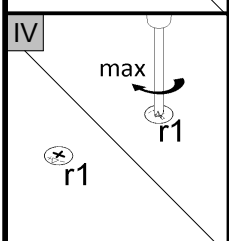
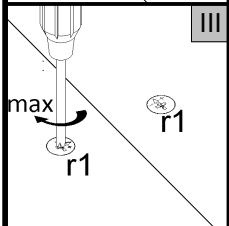
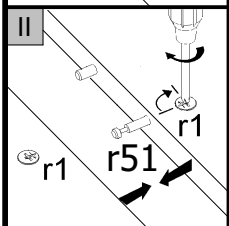
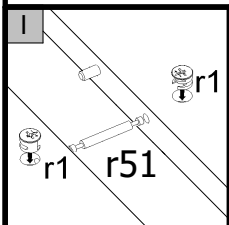
3 

I



II

10

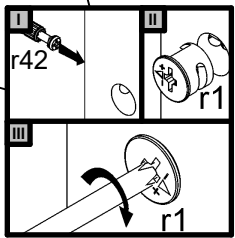
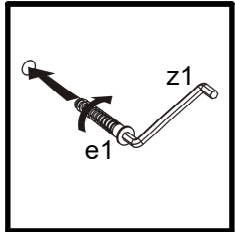
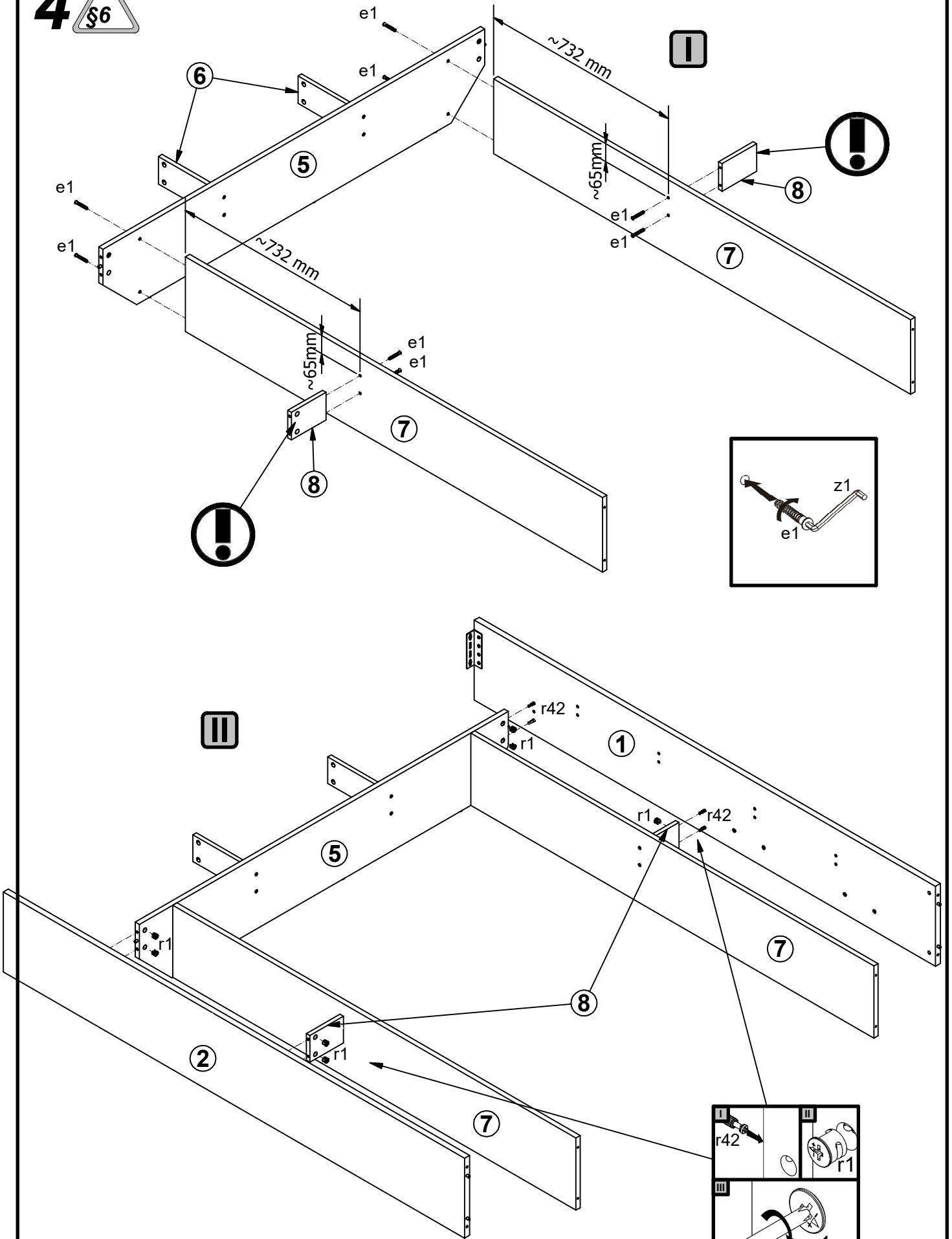


III

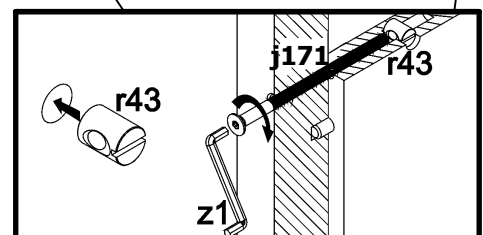
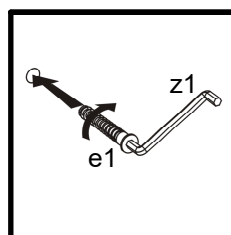
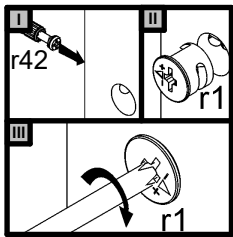
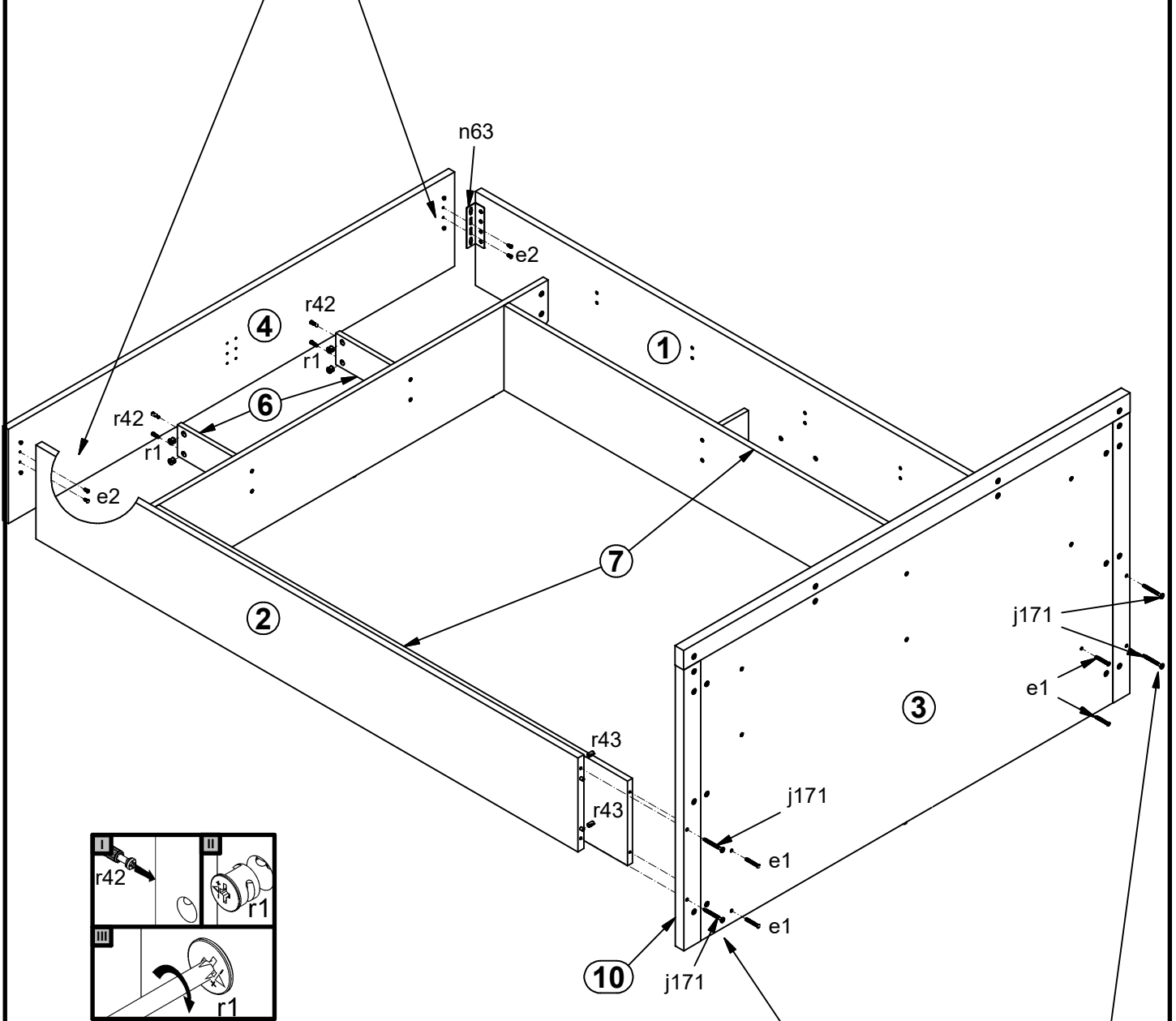
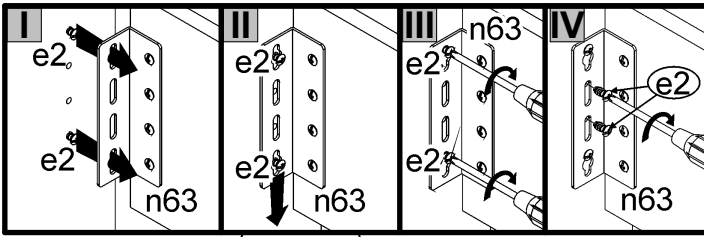
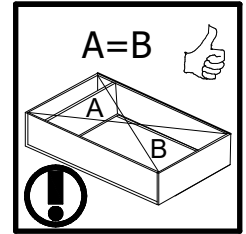
10

11

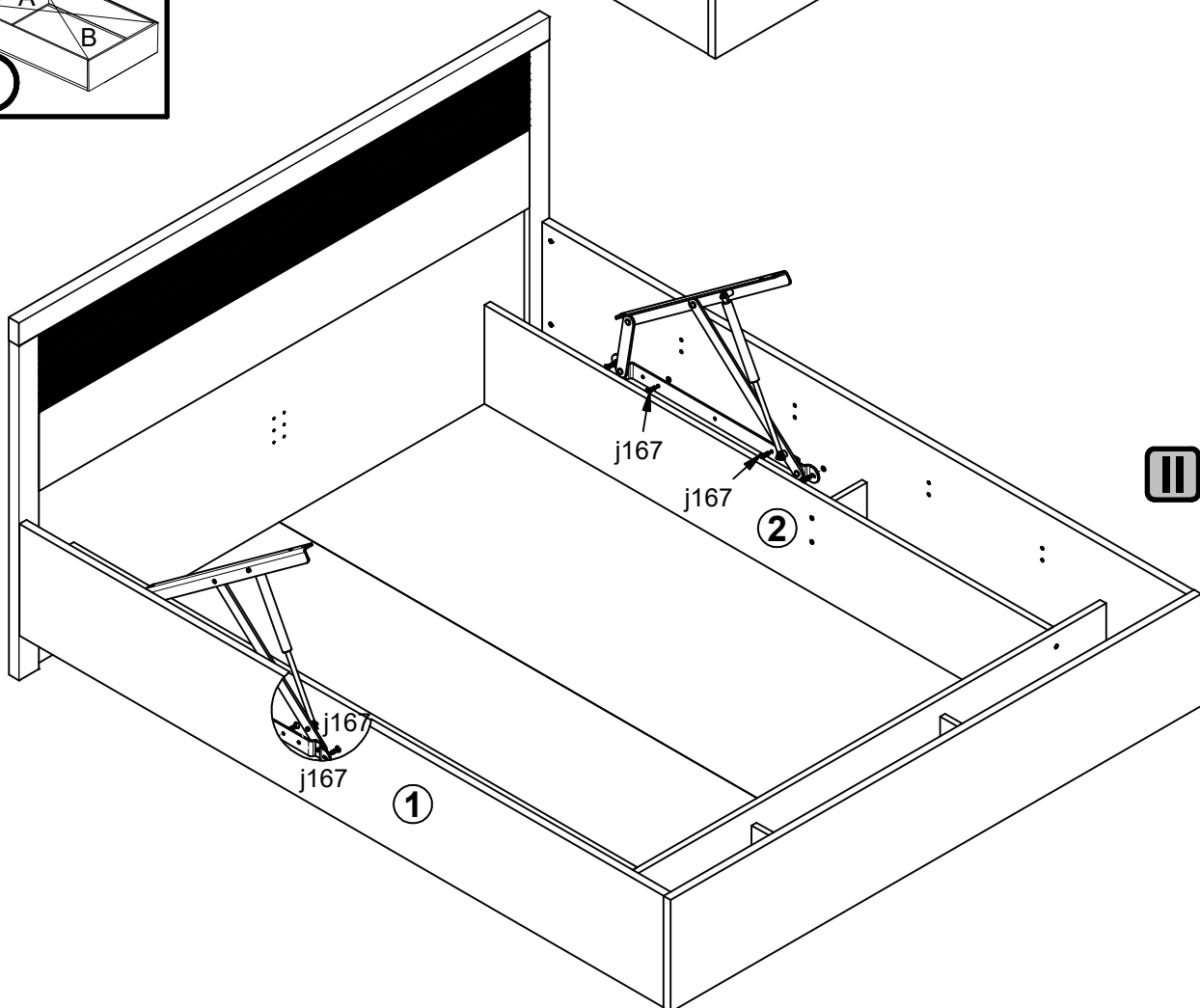
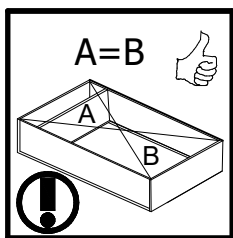
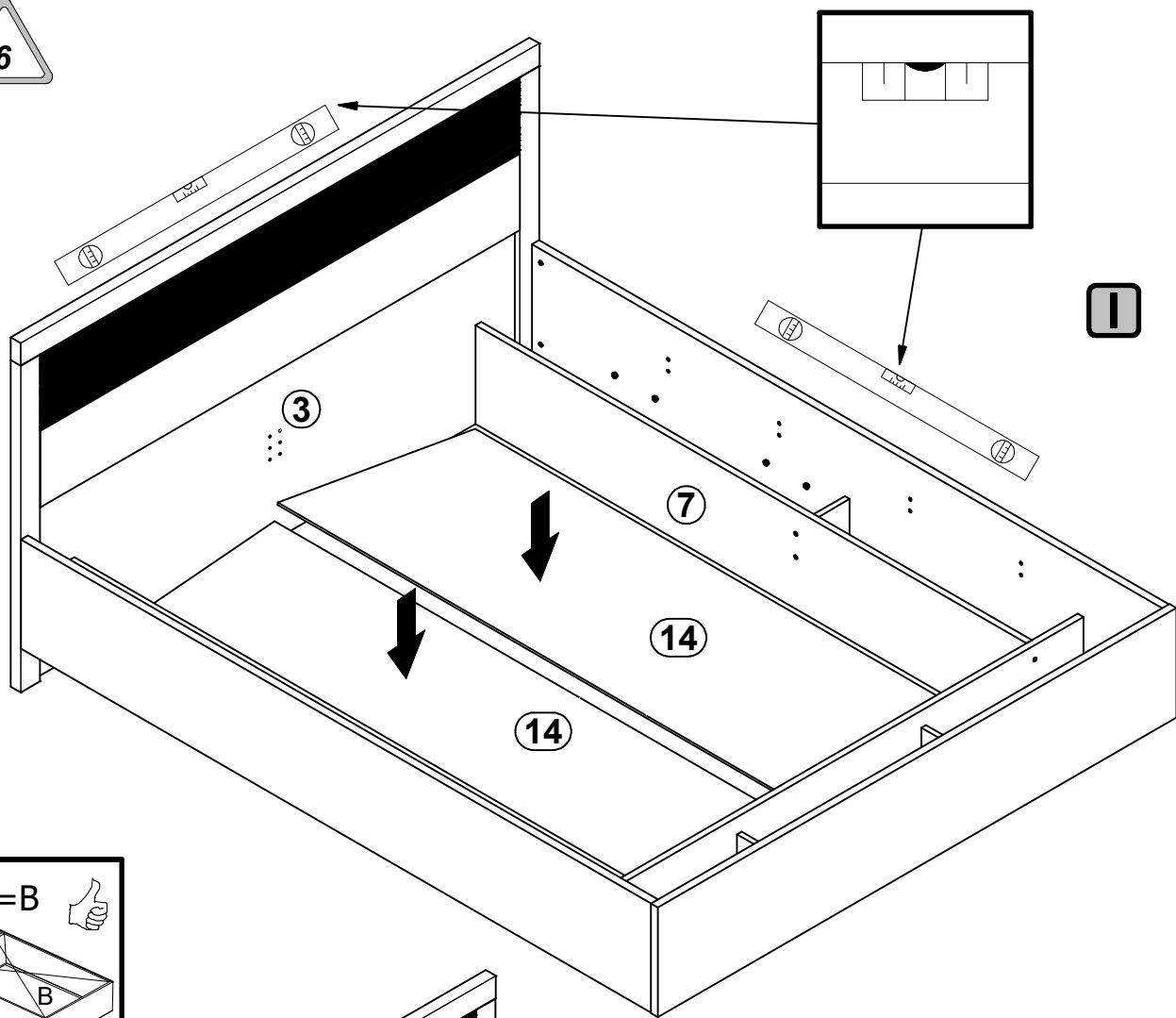
4 §6



5 §6



6 §6



7 §6

