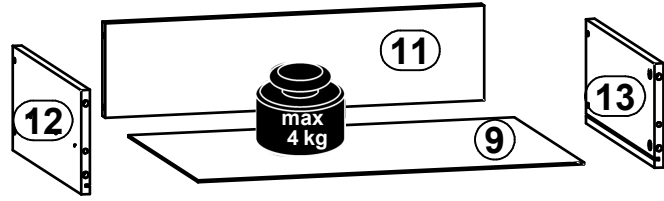
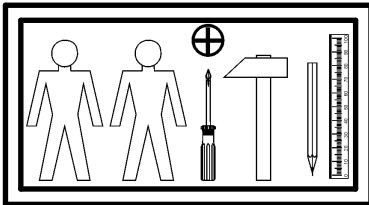
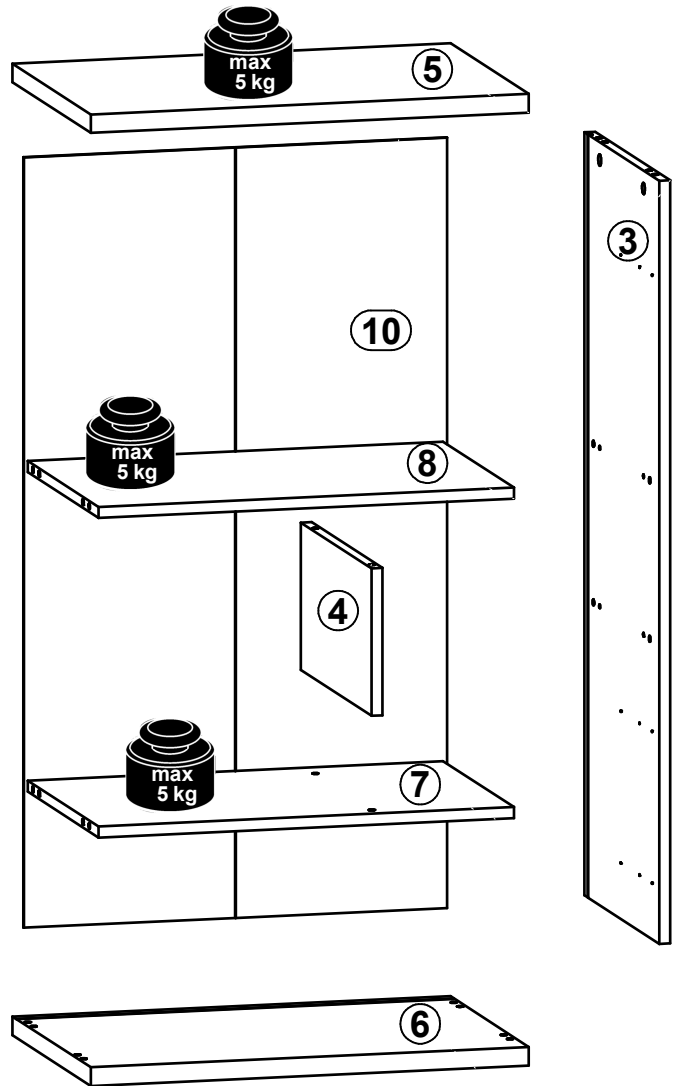
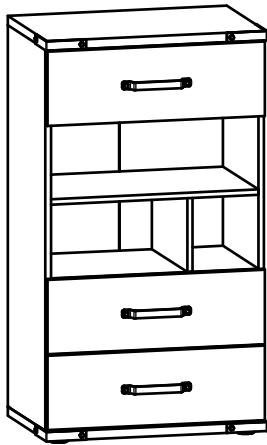
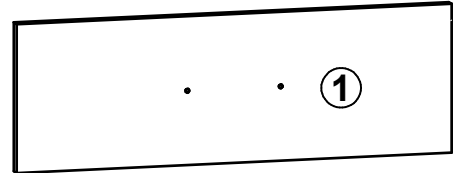


A	B	C	D	
1	S463-0001	596	200	1/2
2	S463-1004	1025	383	1/2
3	S463-1005	1025	383	1/2
4	S463-1006	198	361	1/2
5	S463-2001	600	400	1/2
6	S463-2002	600	400	1/2
7	S463-3003	569	362	1/2
8	S463-3016	569	362	1/2
9	S463-9001	529	357	1/2
10	S463-9302	1035	580	1/2
11	ZK3-5089	519	127	1/2
12	ZK4-513	350	140	1/2
13	ZK4-514	350	140	1/2

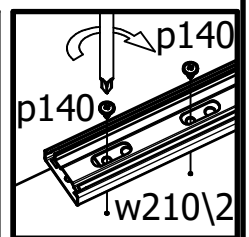
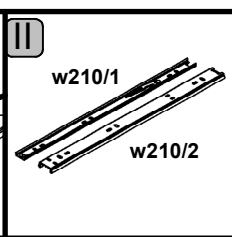
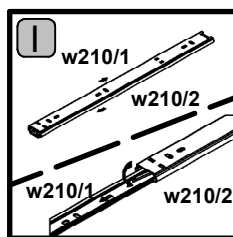
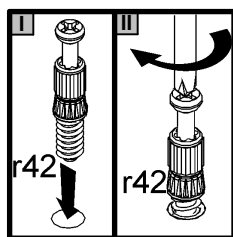
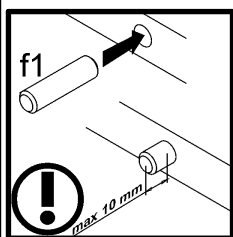
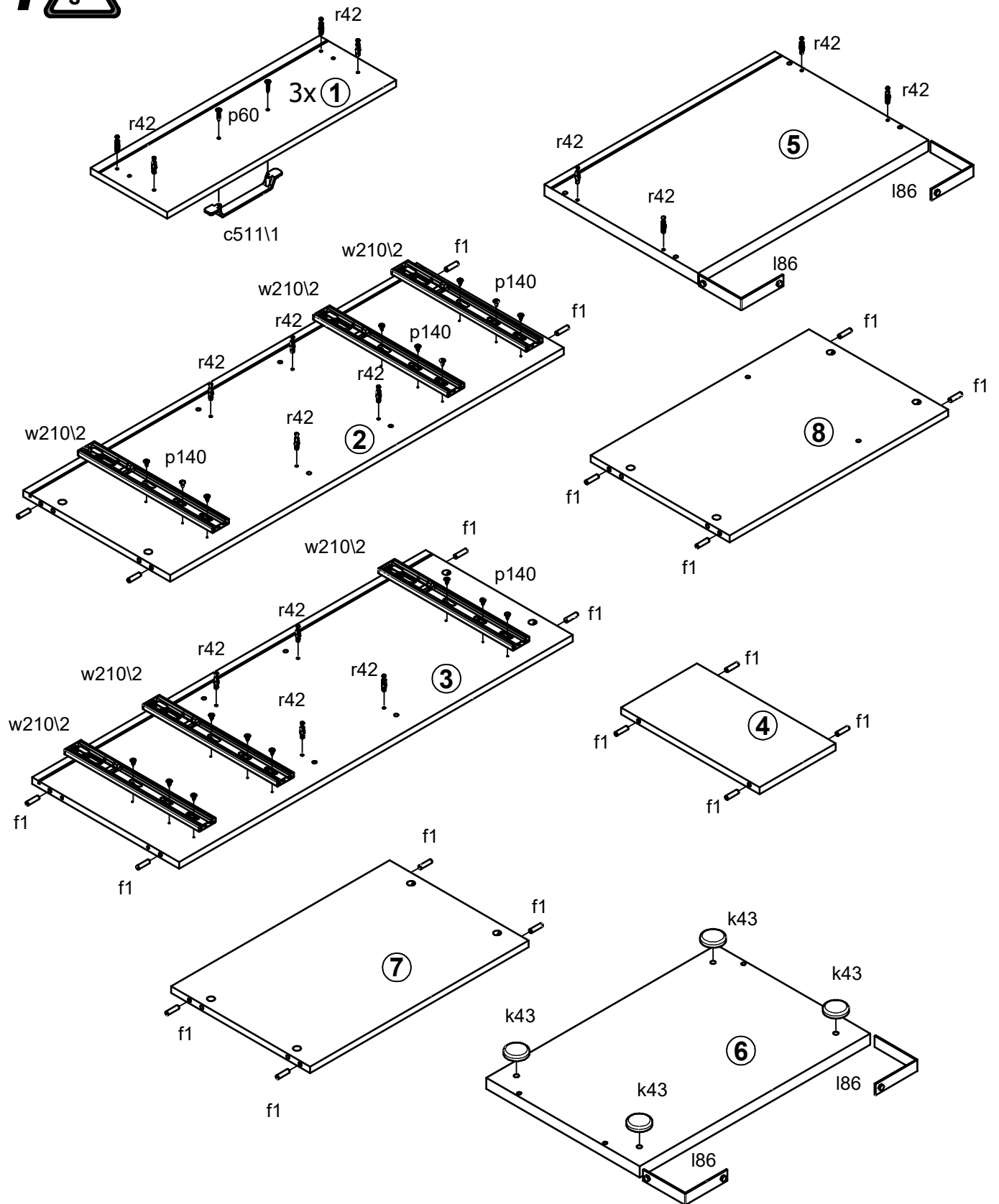


3x

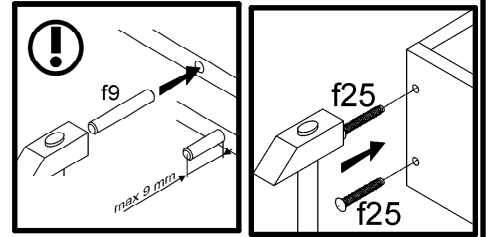
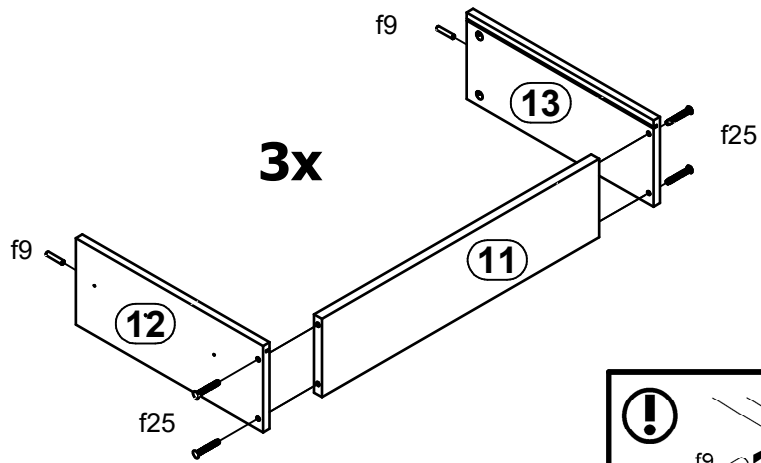


3x 128 c5111	4x Ø7x60 mm e8	20x Ø8x30 mm f1	12x Ø6.5x40 mm f25	6x Ø6x30 mm f9	4x Ø48x10 mm k43	8x l2	4x l86	36x Ø3.5x12 mm p140
3x Ø3.5x16 mm p25	3x Ø3.5x10 mm p35	13x Ø3.5x16 mm p38	3x Ø2.9x16 mm p55	6x Ø4x22 mm p60	12x Ø15x12 mm #16 r1	12x Ø12x10.5 mm #12 r15	24x 20/11 r42	3x 350 mm t35
6x L=350 mm w210\2	6x L=350 mm w210\1	1x 4 mm z1	1x n26\1					

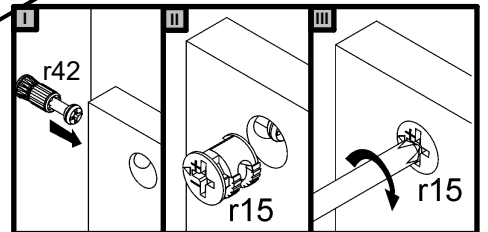
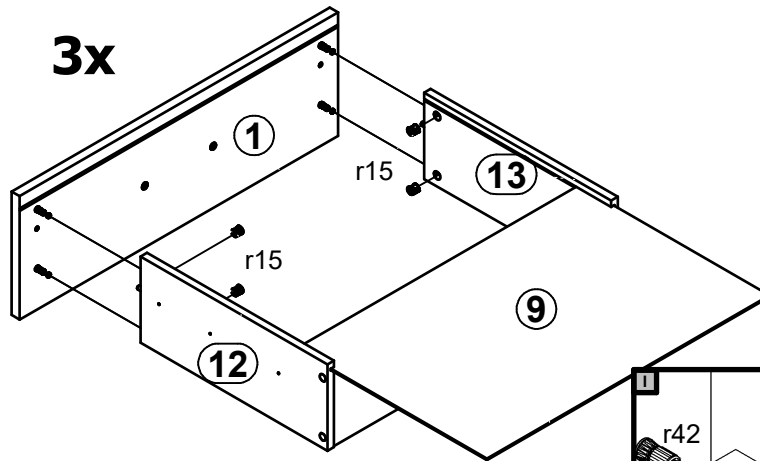
1



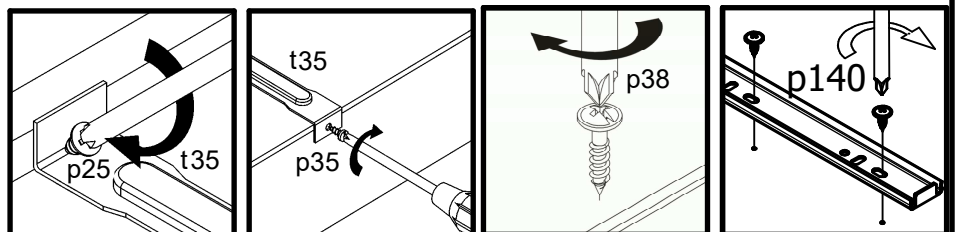
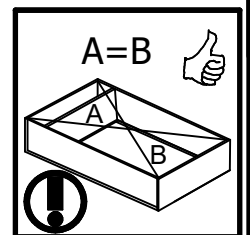
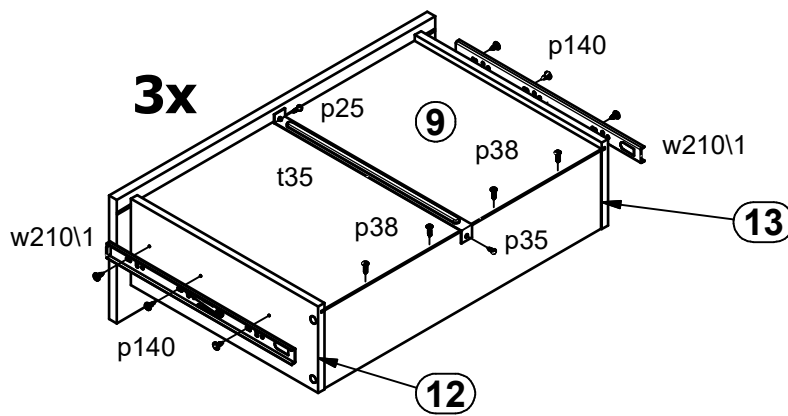
2



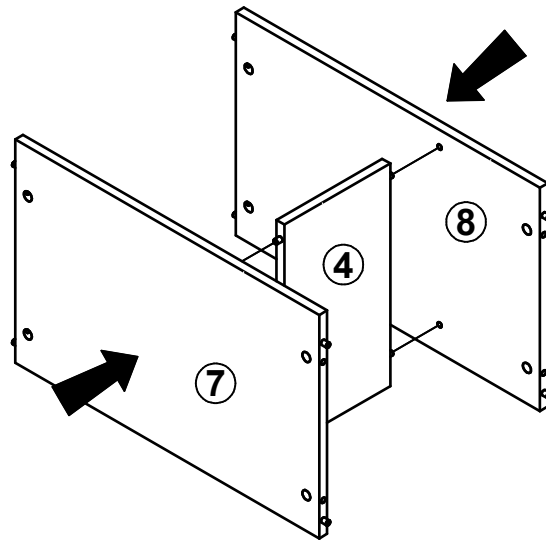
3



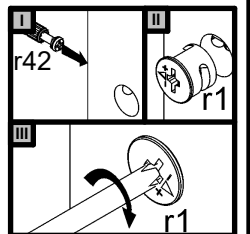
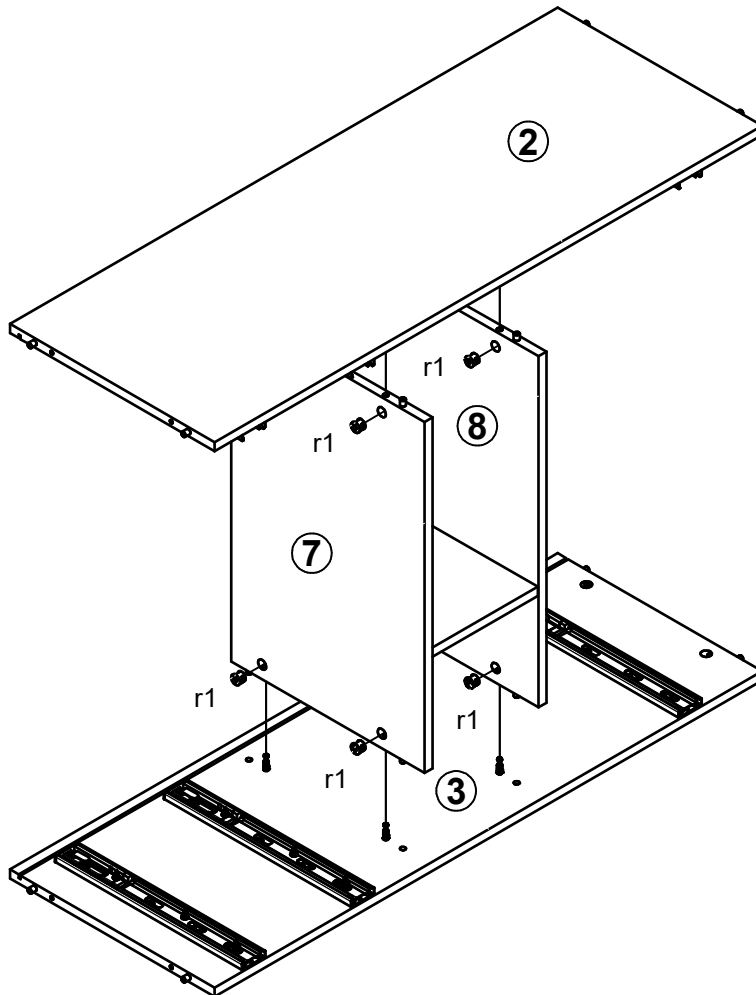
4



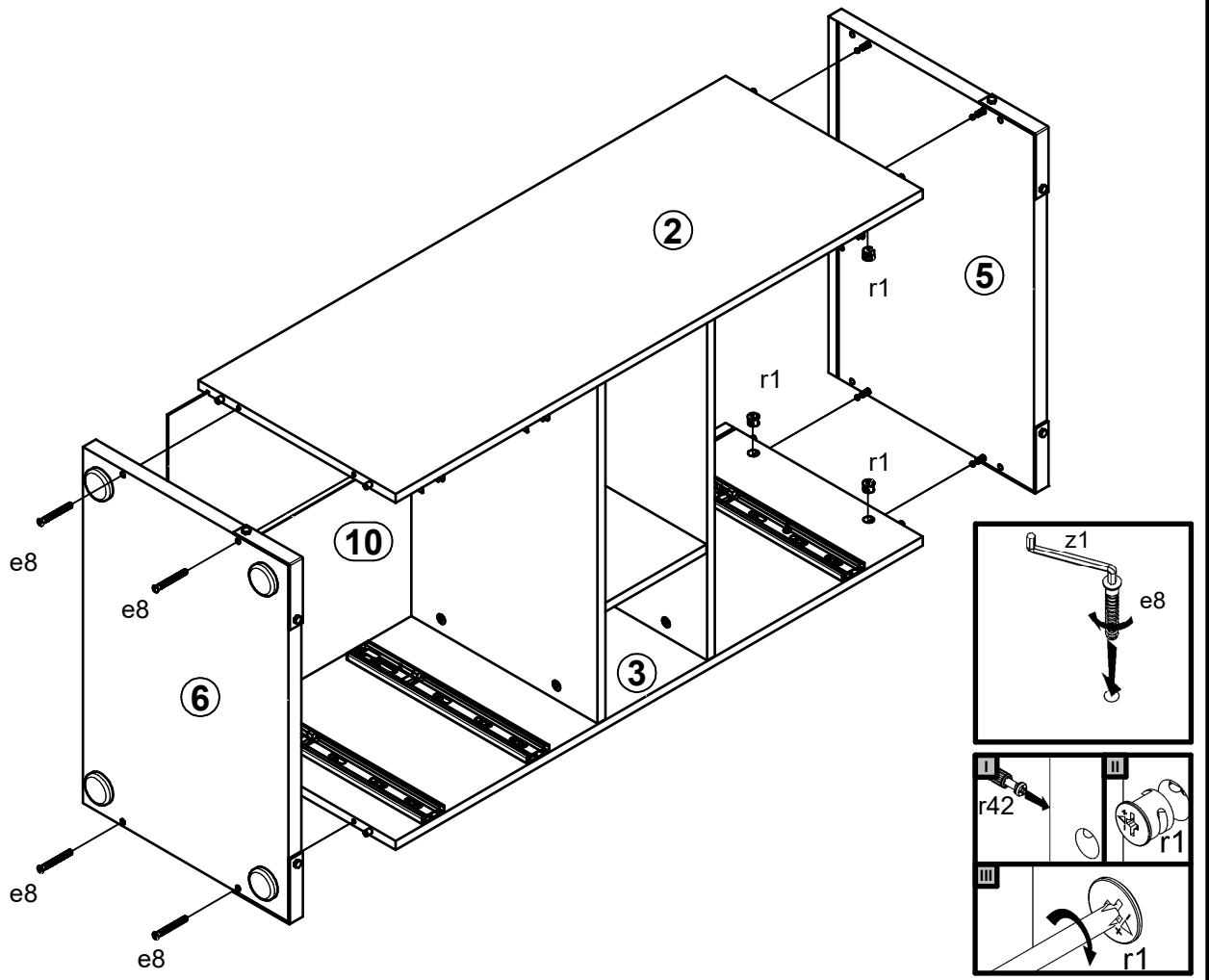
5



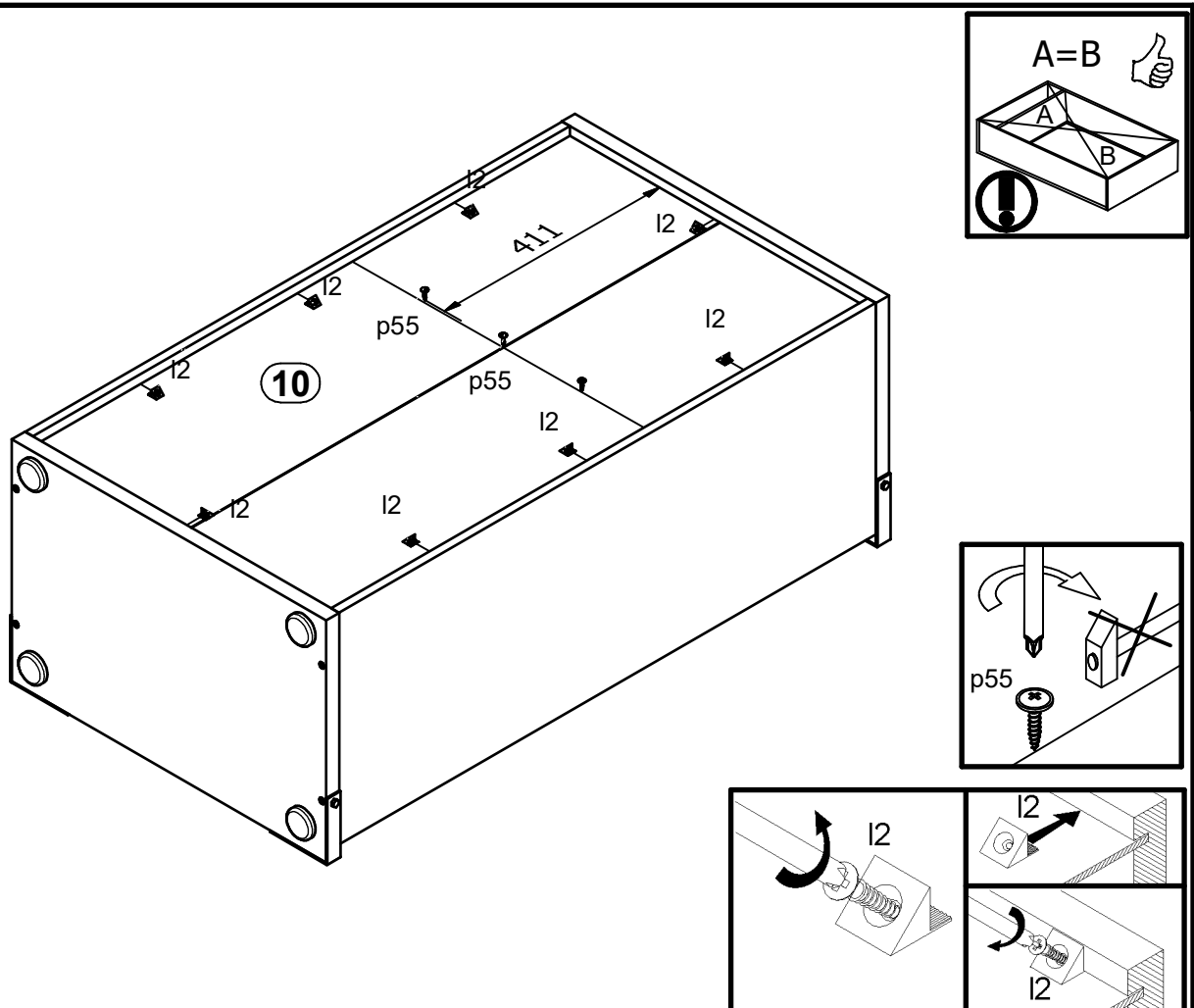
6



7



8



9

