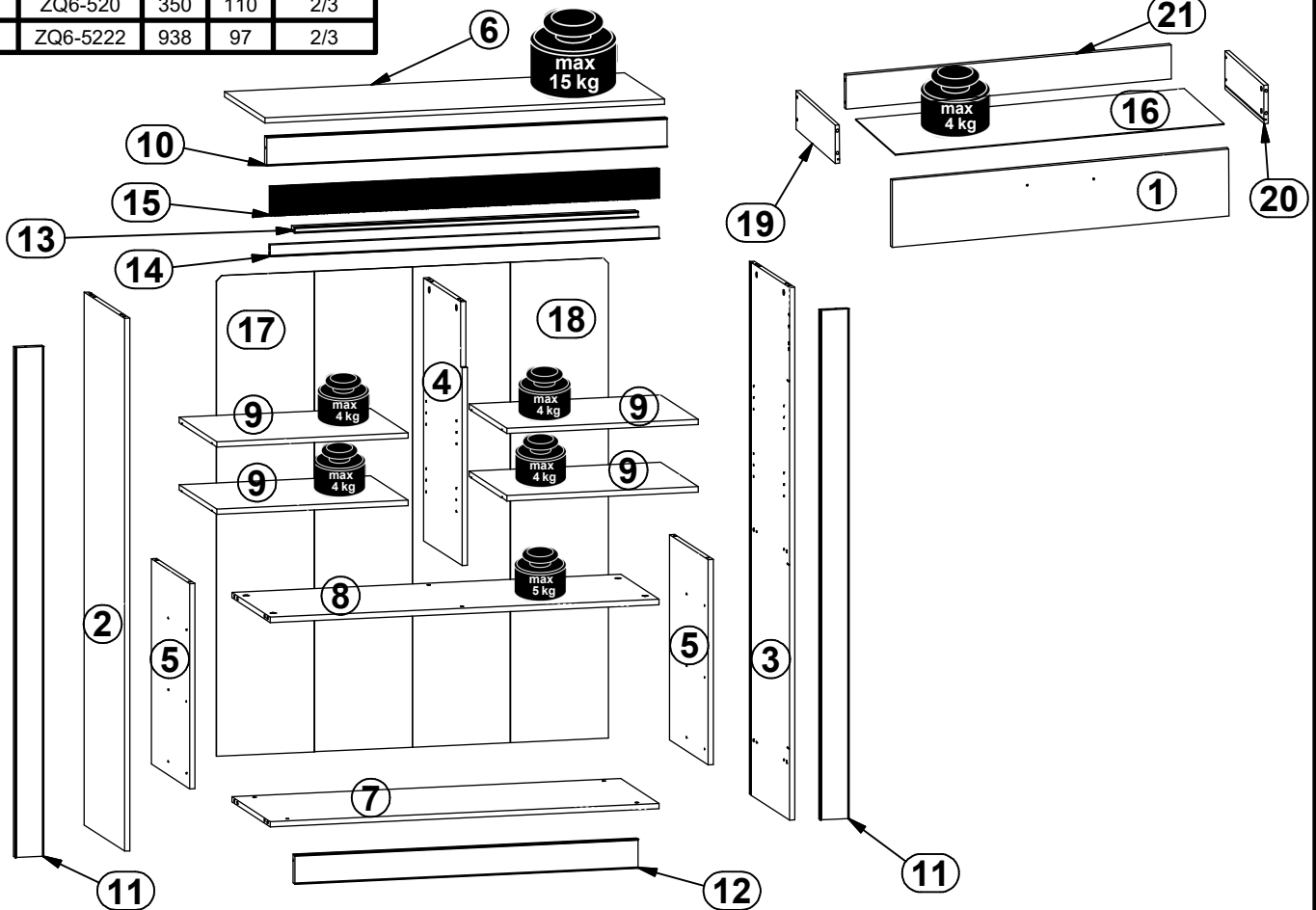
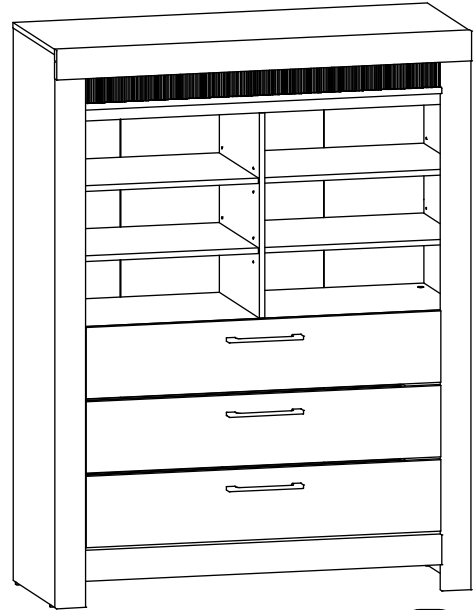
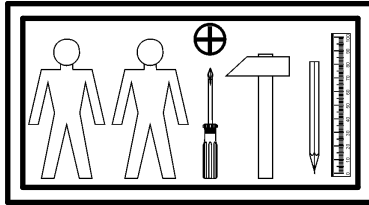
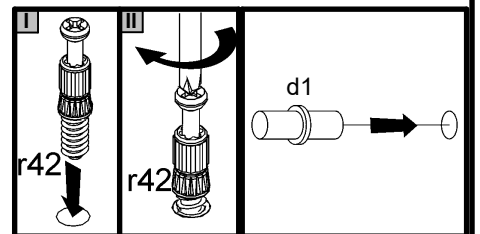
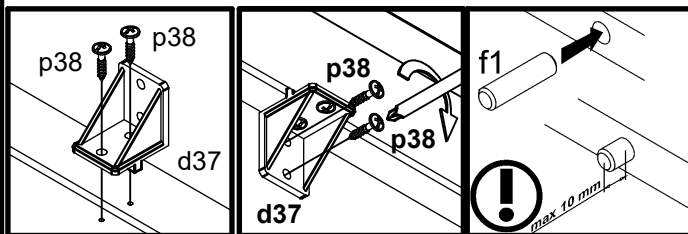
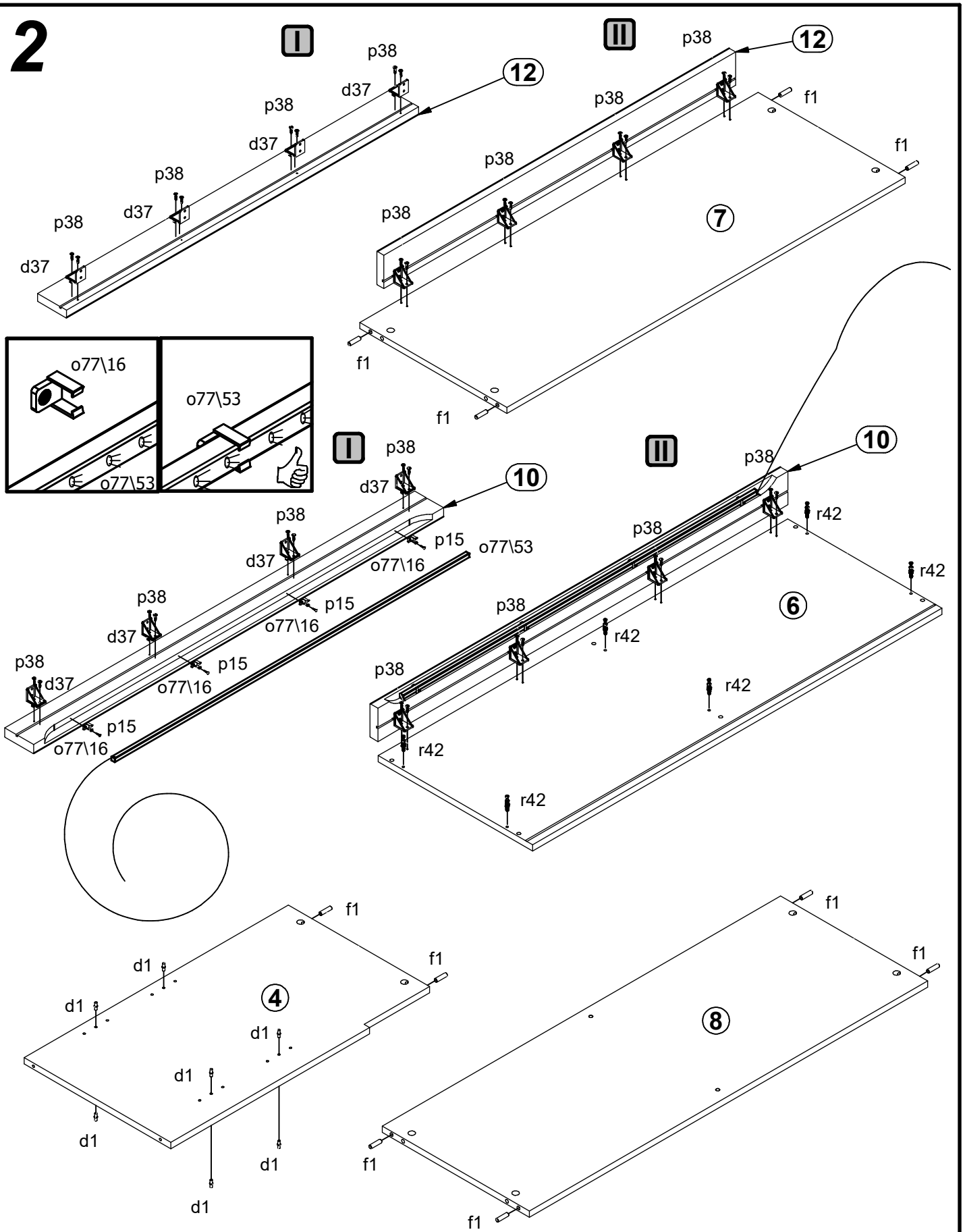


A	B	C	D	
1	S481-0012	971	192	2/3
2	S481-1017	1485	428	1/3
3	S481-1018	1485	428	1/3
4	S481-1019	733	408	3/3
5	S481-1020	572	408	3/3
6	S481-2006	1136	428	2/3
7	S481-3013	1105	408	2/3
8	S481-3014	1105	408	2/3
9	S481-3015	544	400	3/3
10	S481-5032	1137	80	2/3
11	S481-5033	1421	80	1/3
12	S481-5035	976	80	2/3
13	S481-5036	976	32	2/3
14	S481-5037	1105	32	2/3
15	S481-5038	1103	80	2/3
16	S481-9007	948	357	2/3
17	S481-9304	1339	557	1/3
18	S481-9305	1339	557	1/3
19	ZQ6-519	350	110	2/3
20	ZQ6-520	350	110	2/3
21	ZQ6-5222	938	97	2/3

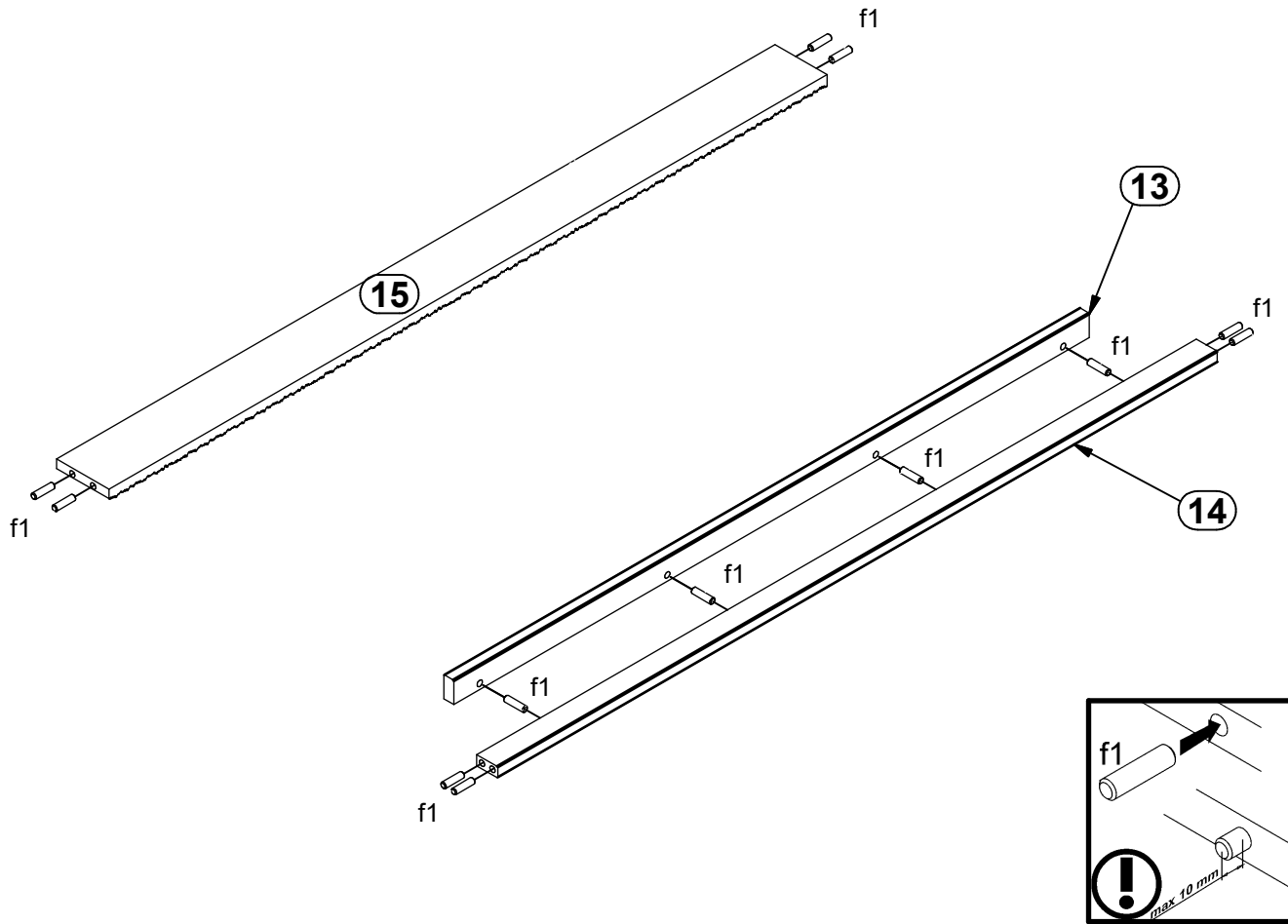


3x 192 mm c306	16x Ø5x17 mm d1	14x d37	2x Ø7x50 mm e1	12x Ø6x13 mm e3	34x Ø8x30 mm f1	12x Ø6.5x40 mm f25	6x M4x22 mm j30	4x k1
10x l2	4x 22x9.5x20.7 mm n108	4x Ø77x16	4x Ø2.5x13 mm p15	3x Ø3.5x16 mm p25	3x Ø3.5x10 mm p35	75x Ø3.5x16 mm p38	28x p55	14x Ø15x12 mm #16 r1
12x Ø12x10.5 mm #12 r15	26x 20/11 r42	3x 350 mm t35	3x 350 mm W117/L	3x 350 mm W117/P	1x 4 mm z1	4x Ø 20mm s68	1x 2m 1P 6W o70/9	1x n26/1
2x 10x18 mm o83/9	1x 10x10 mm L=980 mm o77/53							

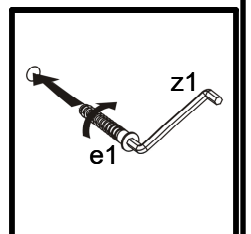
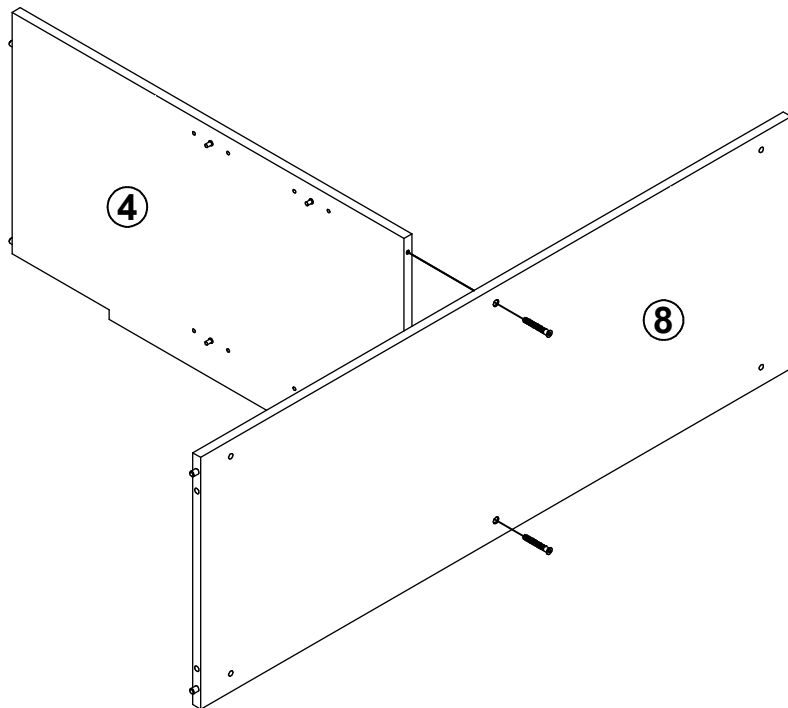
2



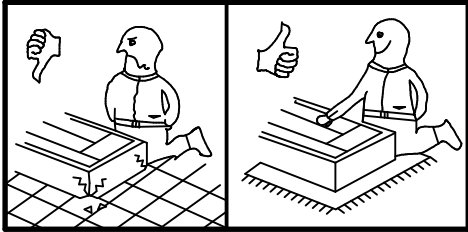
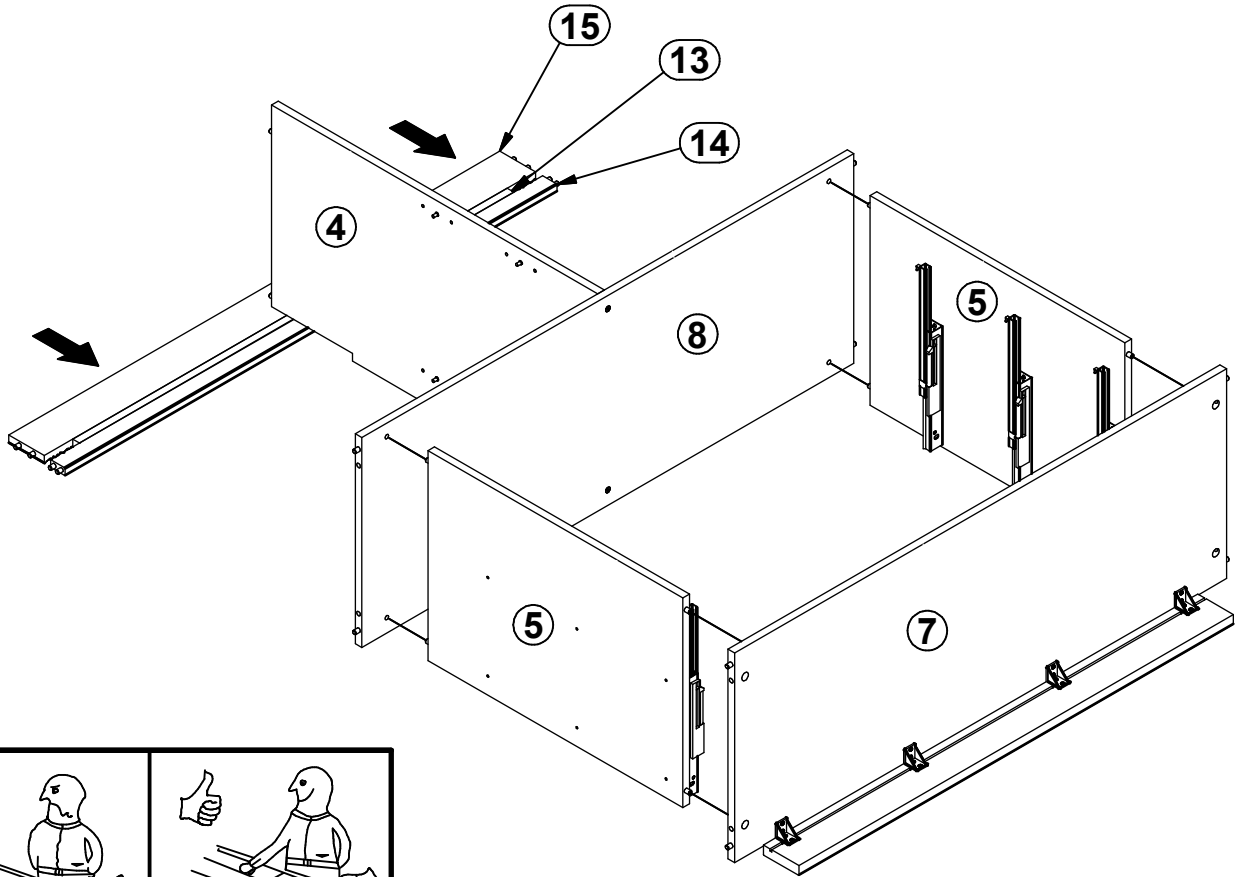
3



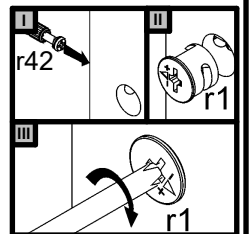
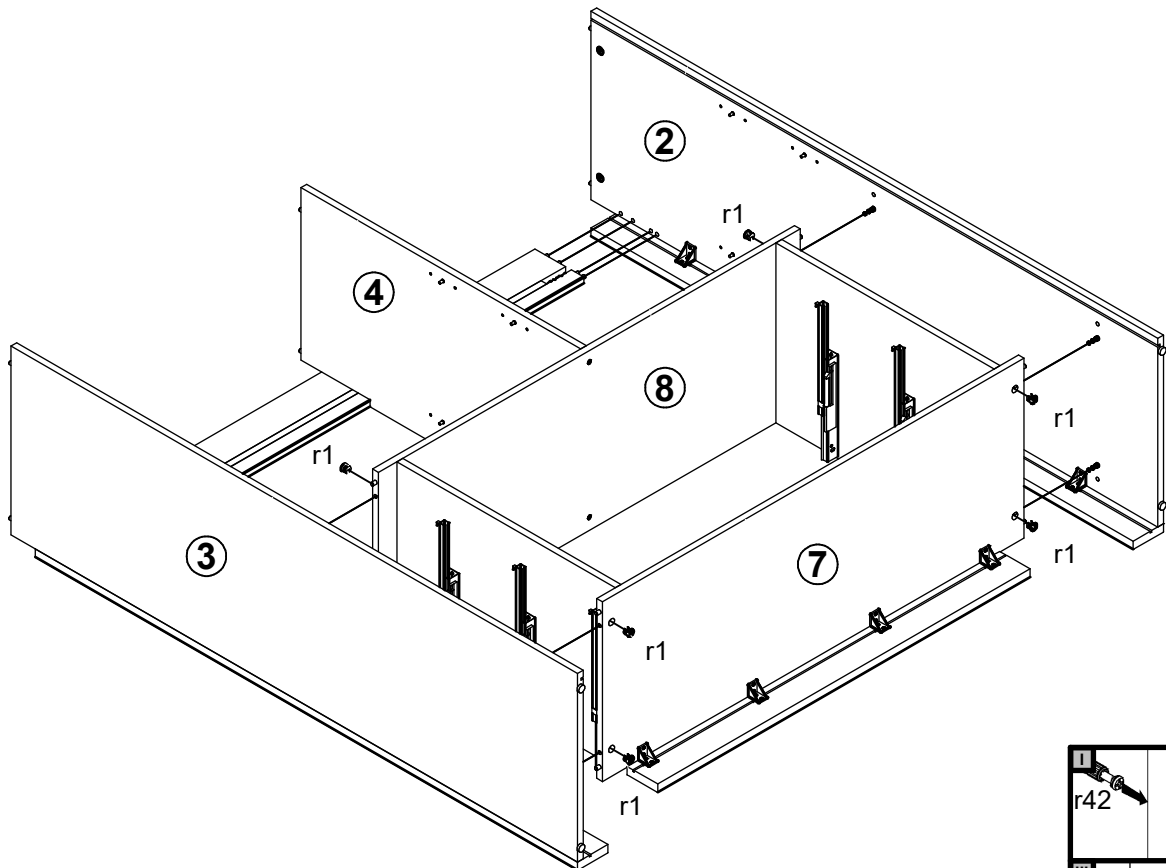
4



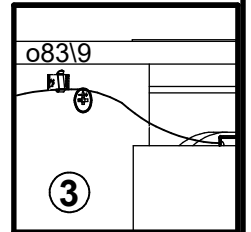
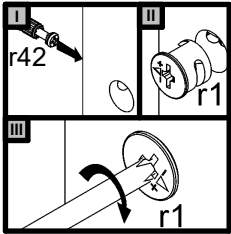
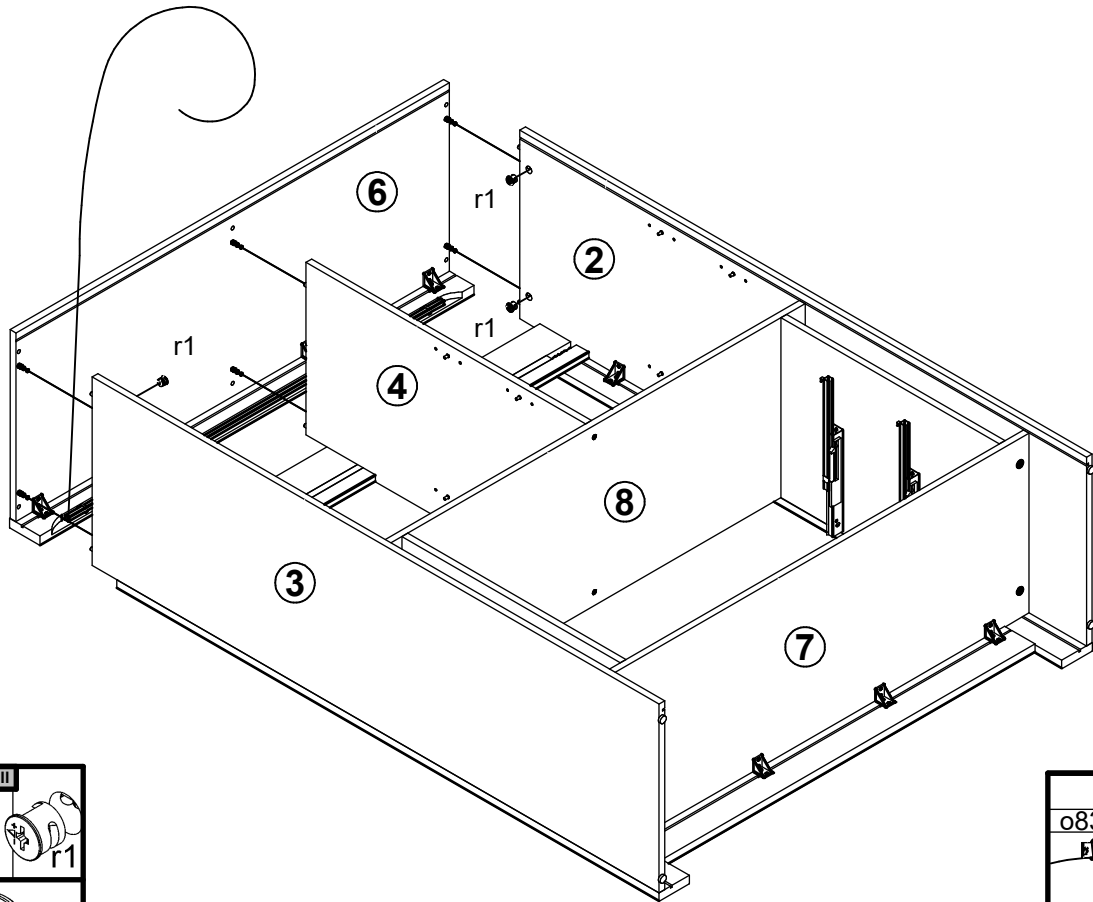
5



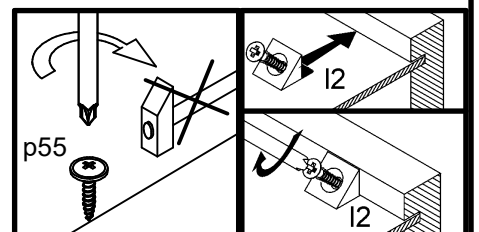
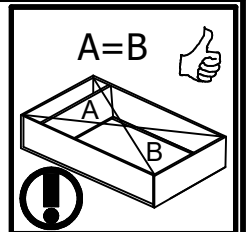
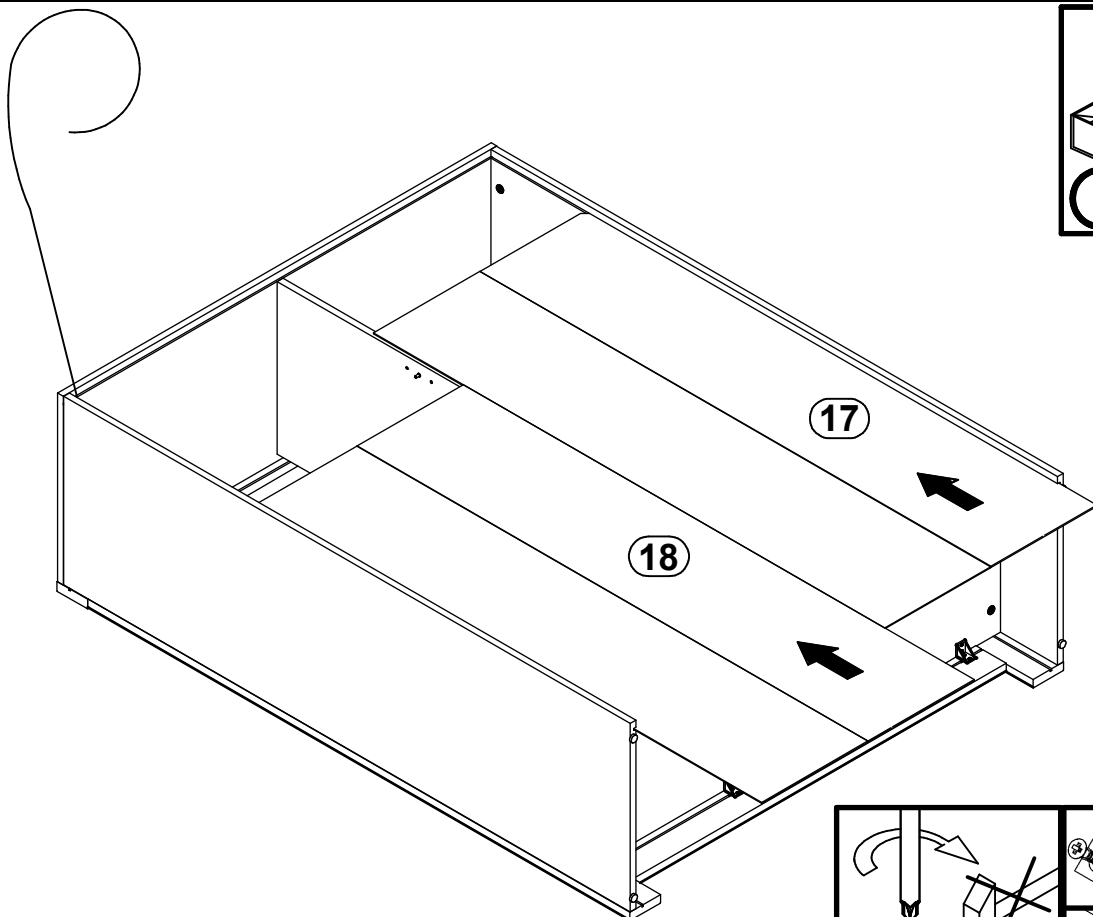
6



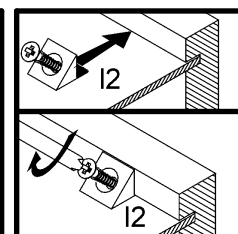
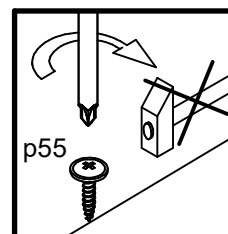
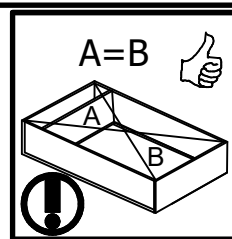
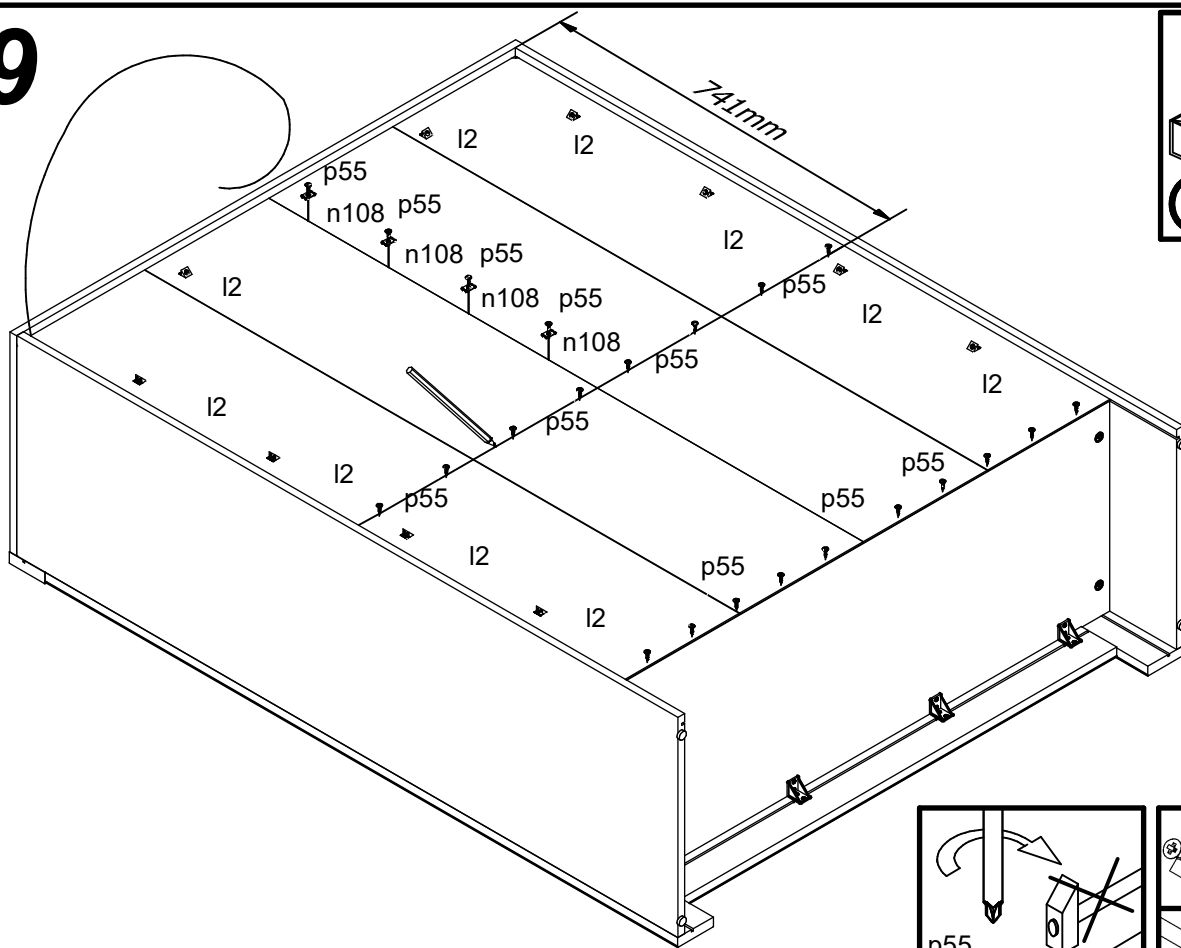
7



8



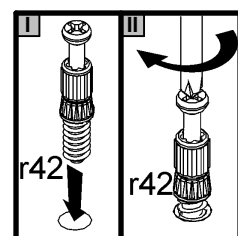
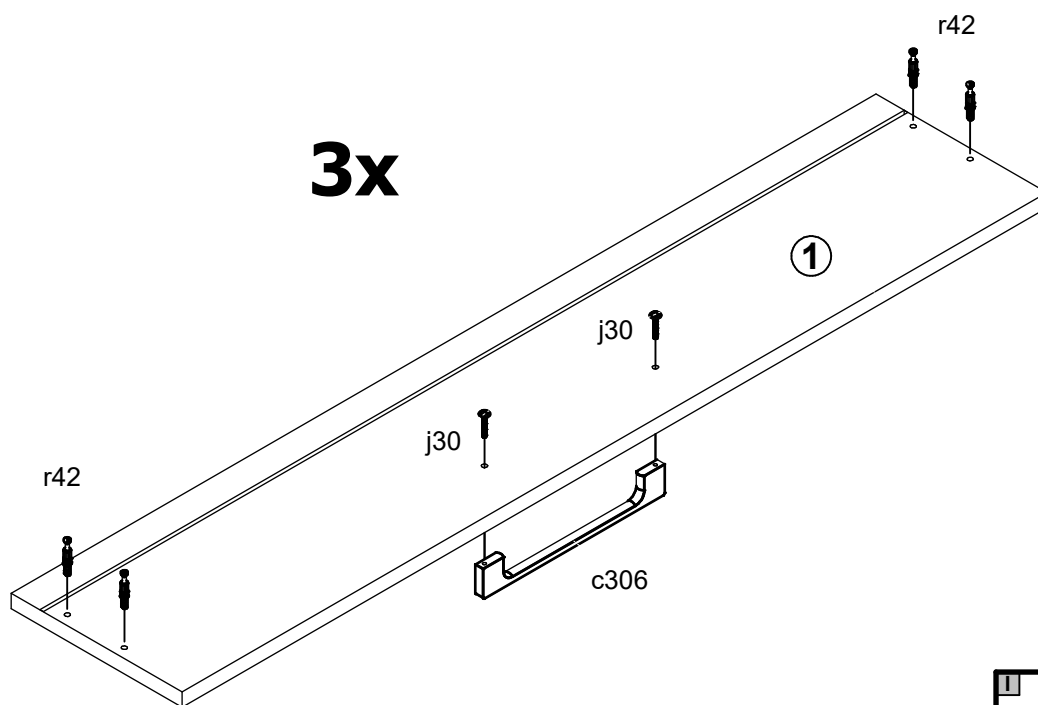
9



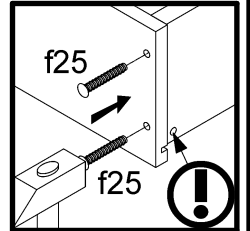
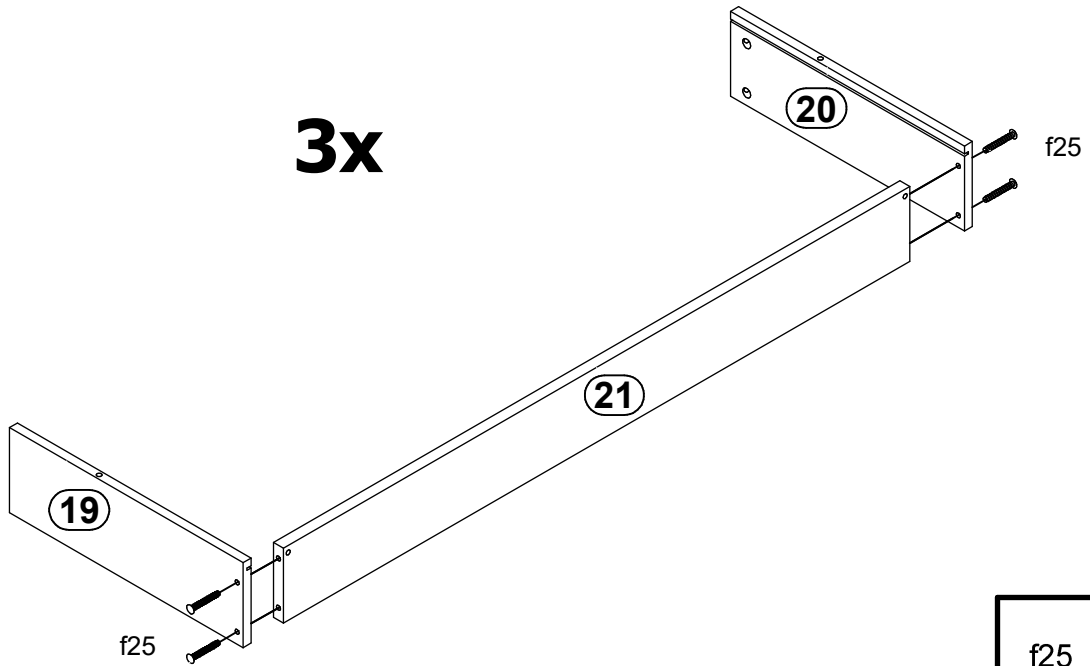
10



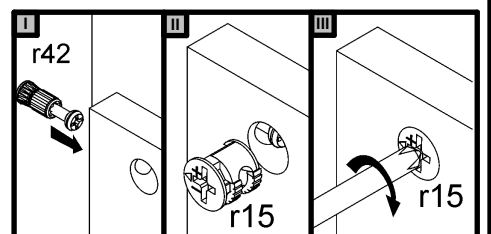
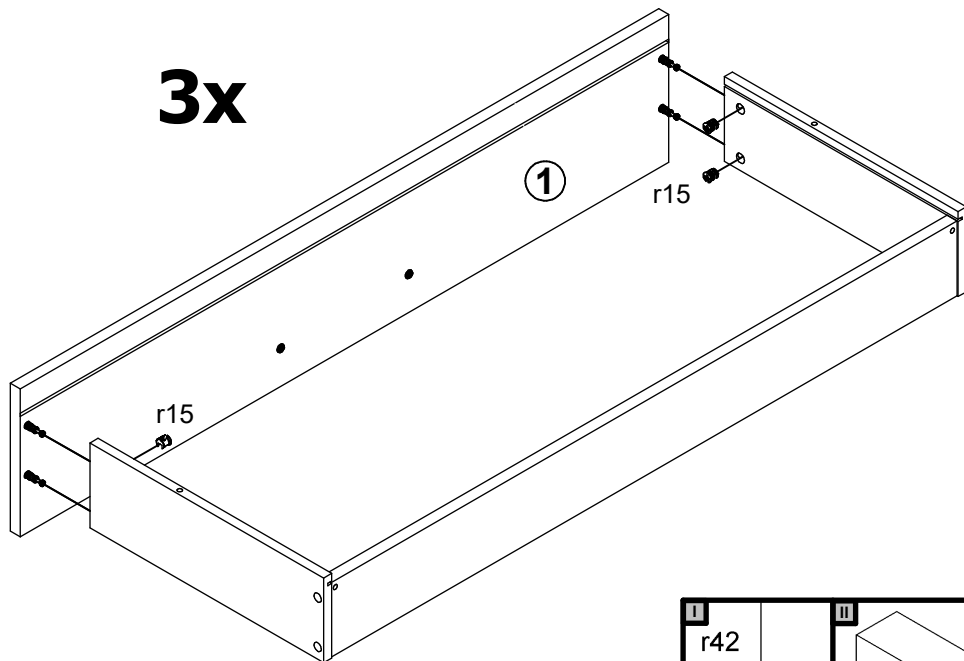
3x



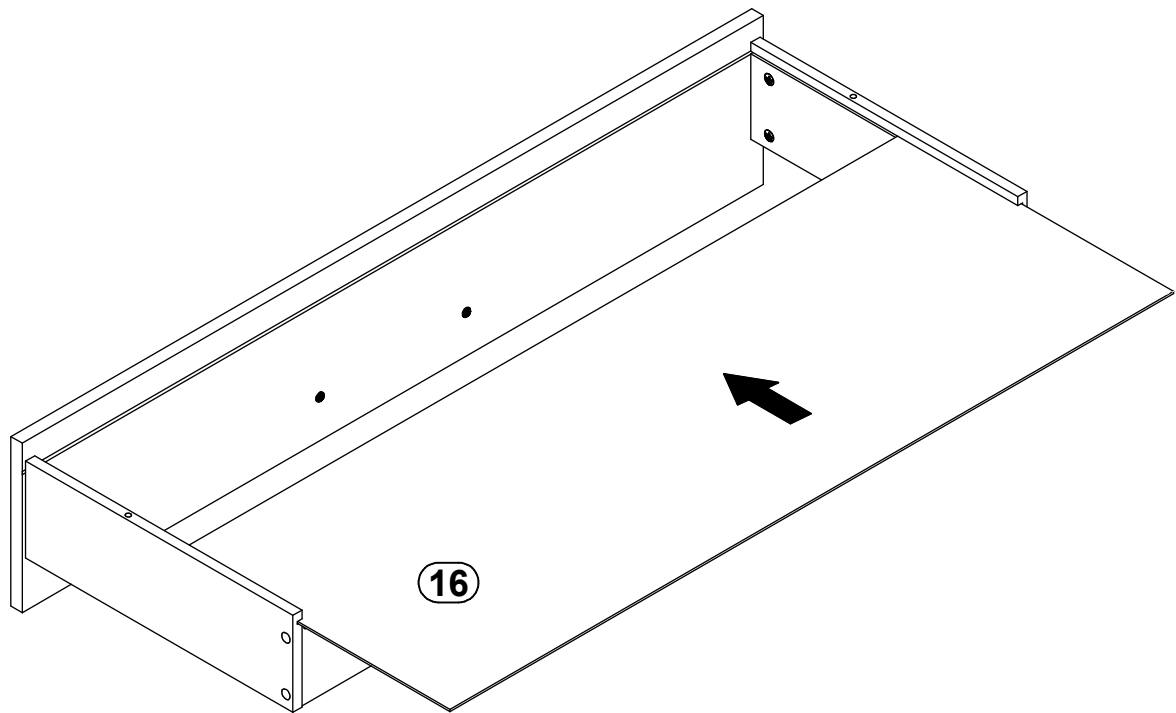
11



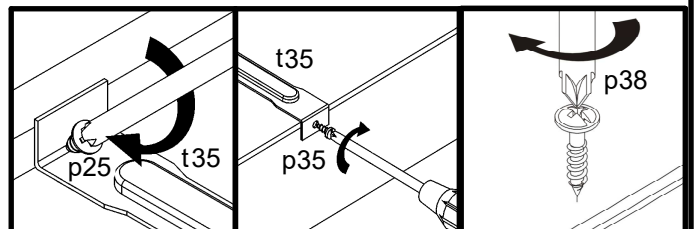
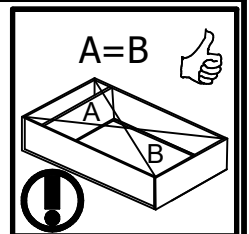
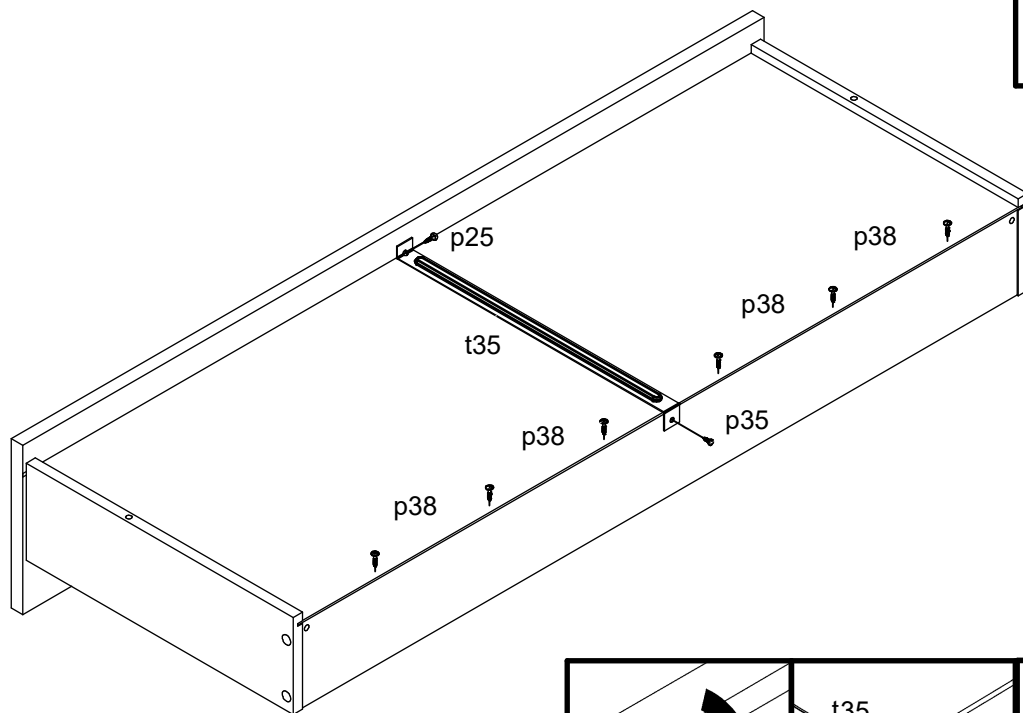
12



13



14



15

