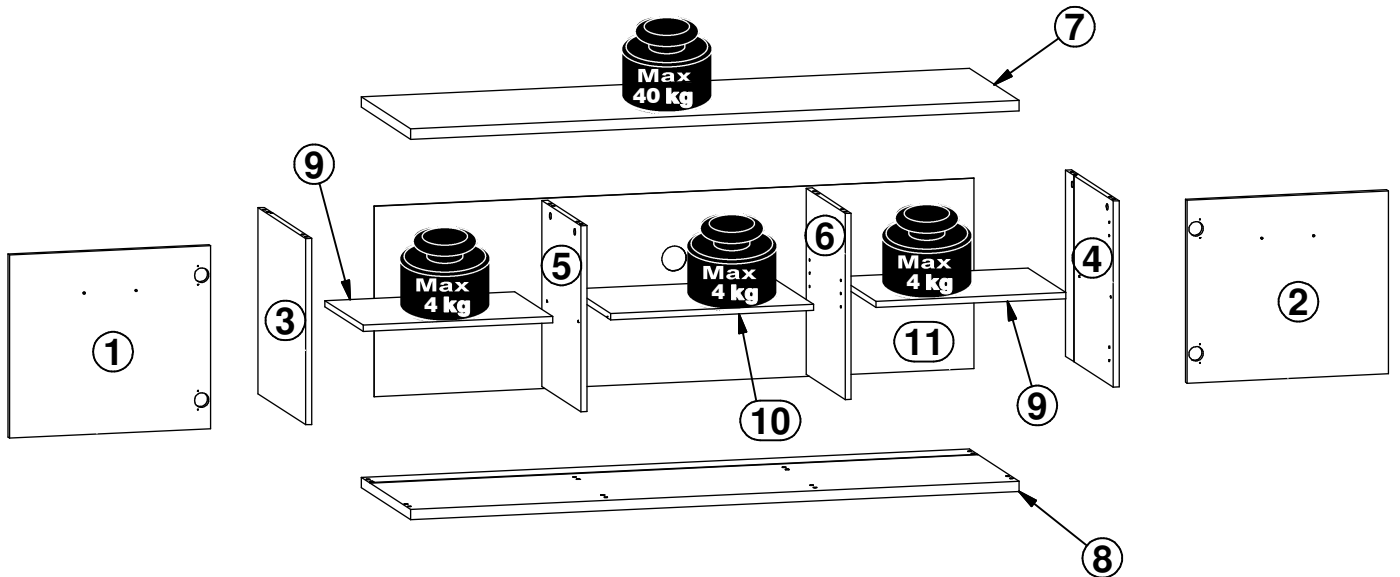
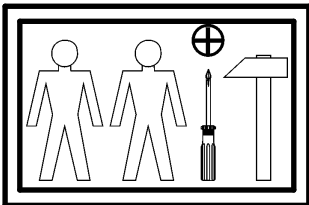
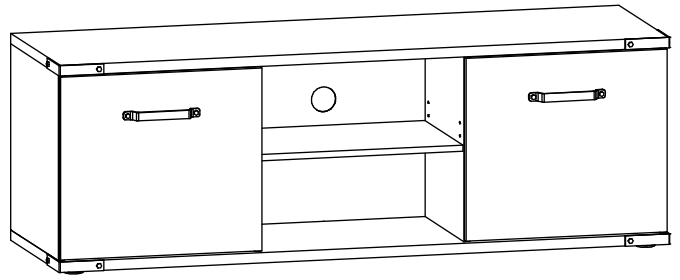
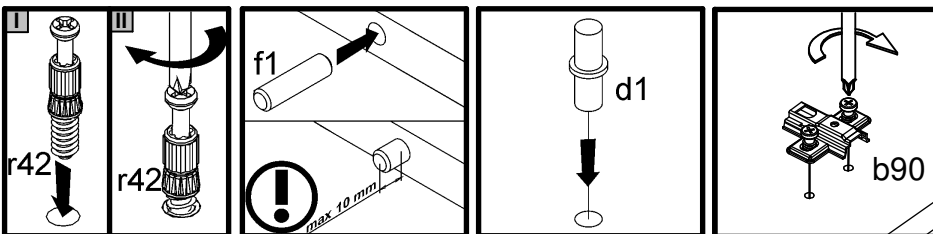
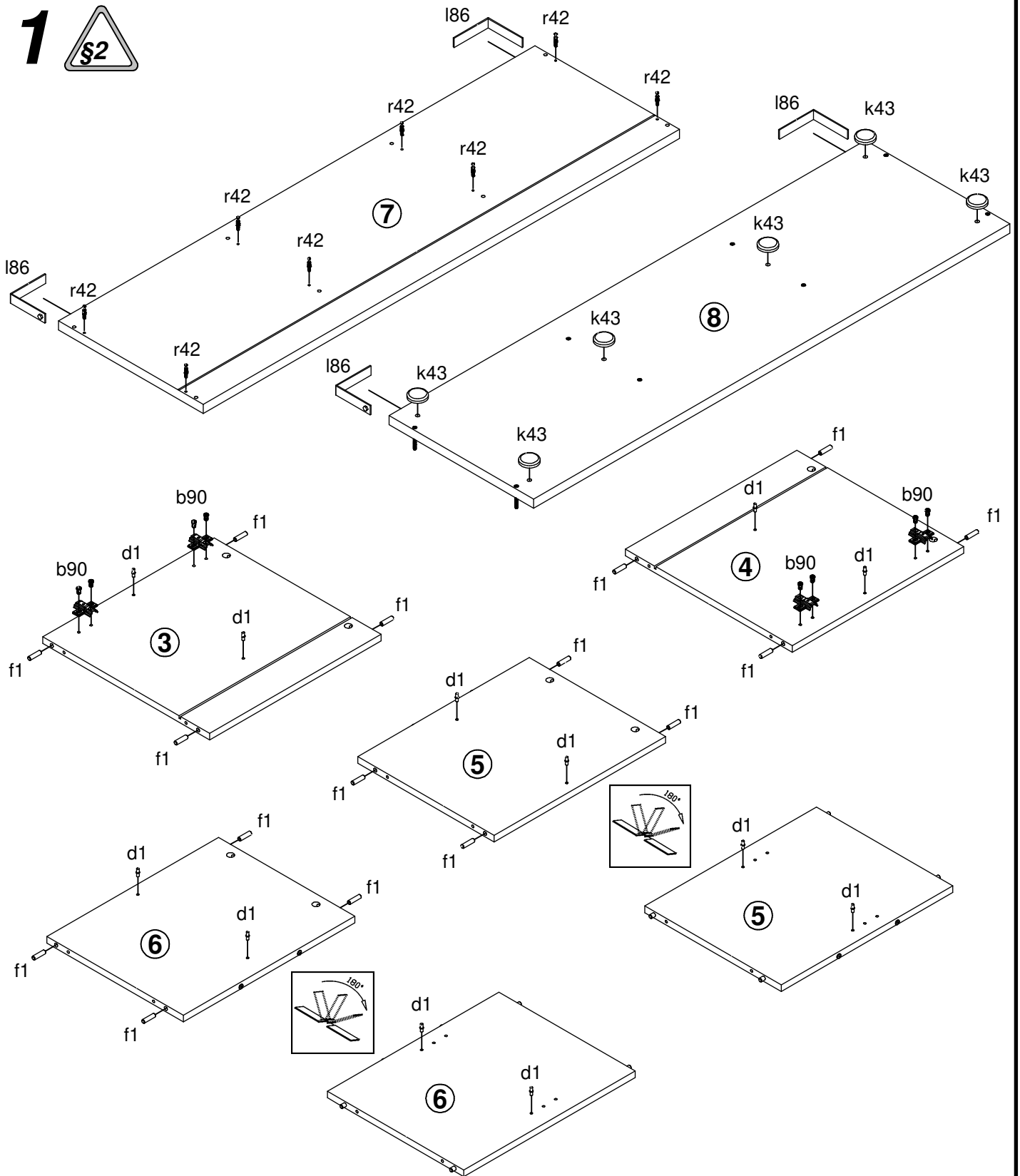


A	B	C	D
1	S463-0017	442	496 2/2
2	S463-0018	442	496 2/2
3	S463-1027	450	438 2/2
4	S463-1028	450	438 2/2
5	S463-1029	450	358 2/2
6	S463-1030	450	358 2/2
7	S463-2016	1500	455 1/2
8	S463-2017	1500	455 1/2
9	S463-3017	468	350 2/2
10	S463-3018	500	350 2/2
11	S463-9011	460	1479 1/2

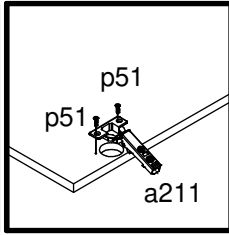
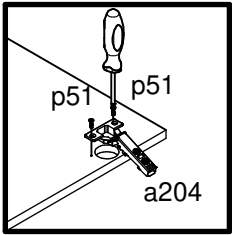
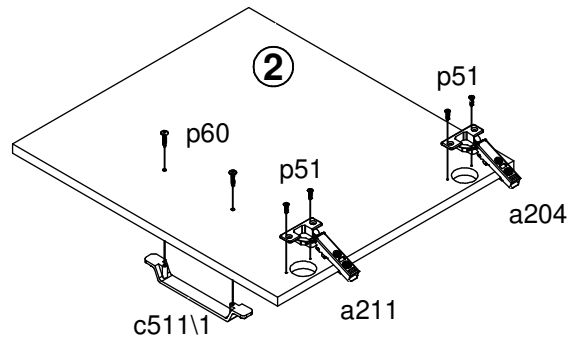
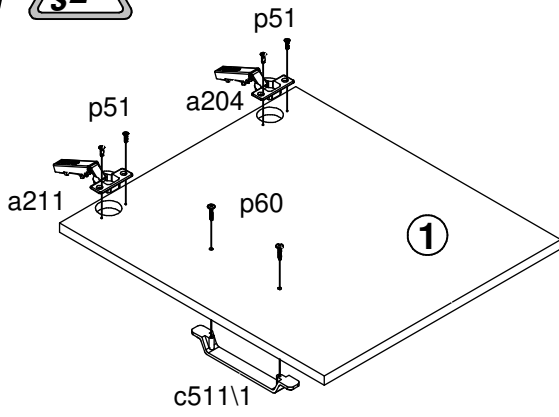


2x Ø35 a204	2x Ø35 a211	4x Ø35 b90	2x l28 mm c511\1	12x Ø5x17 mm d1	8x Ø7x60 mm e8	16x Ø8x30 mm f1	6x Ø48x10 mm k43	4x l86
8x l2 Ø3.5x16 mm	1x n26	1x p38	8x Ø3.5x15 mm p51	4x Ø2.9x16 mm p55	4x Ø4x22 mm p60	8x Ø15x12 mm #16 r1	8x 20/11 r42	6x Ø 20mm s68
1x 4 mm z1								

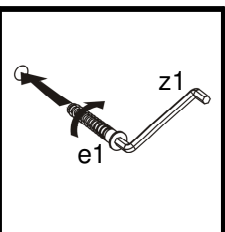
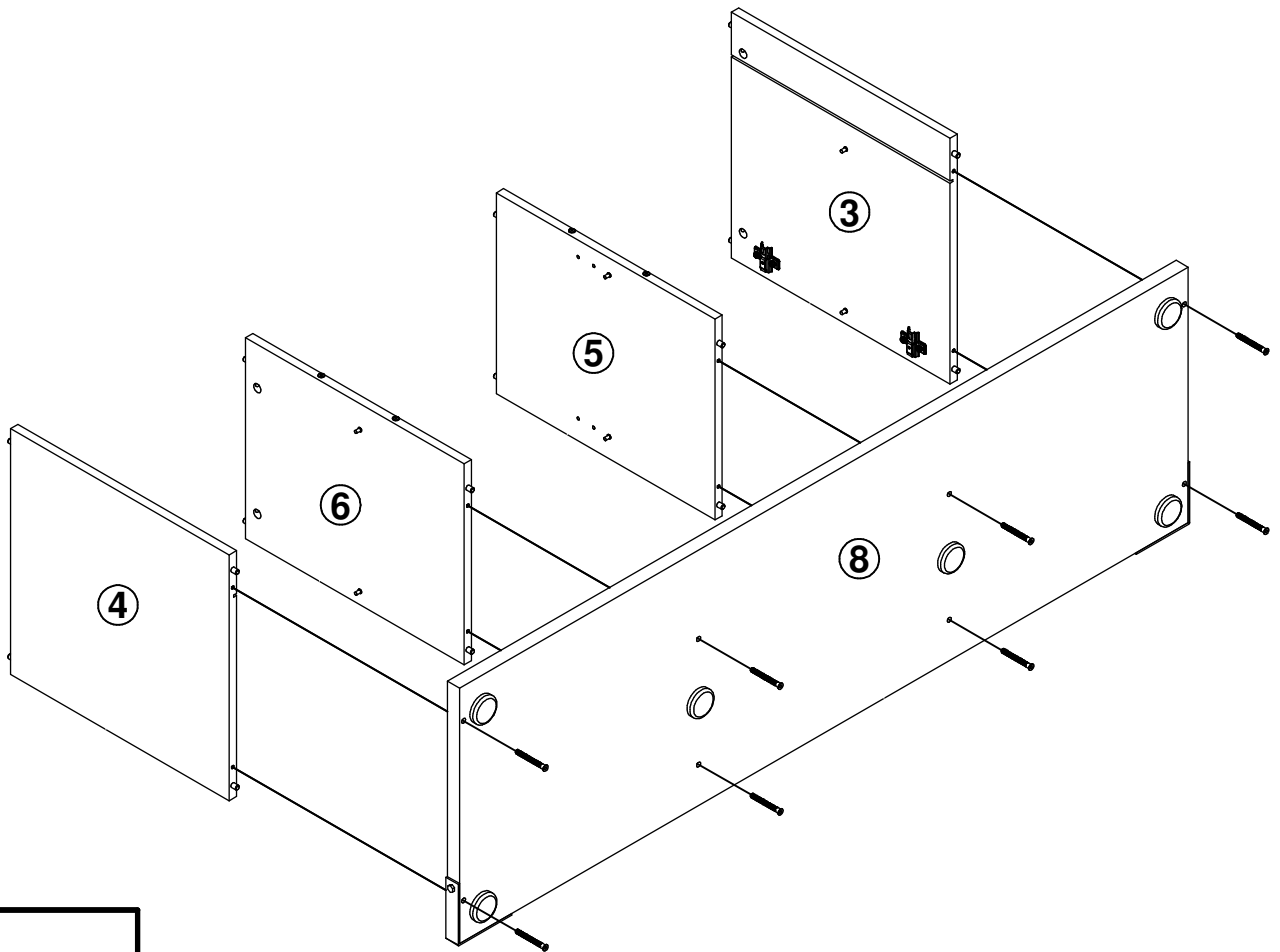
1



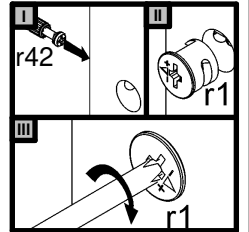
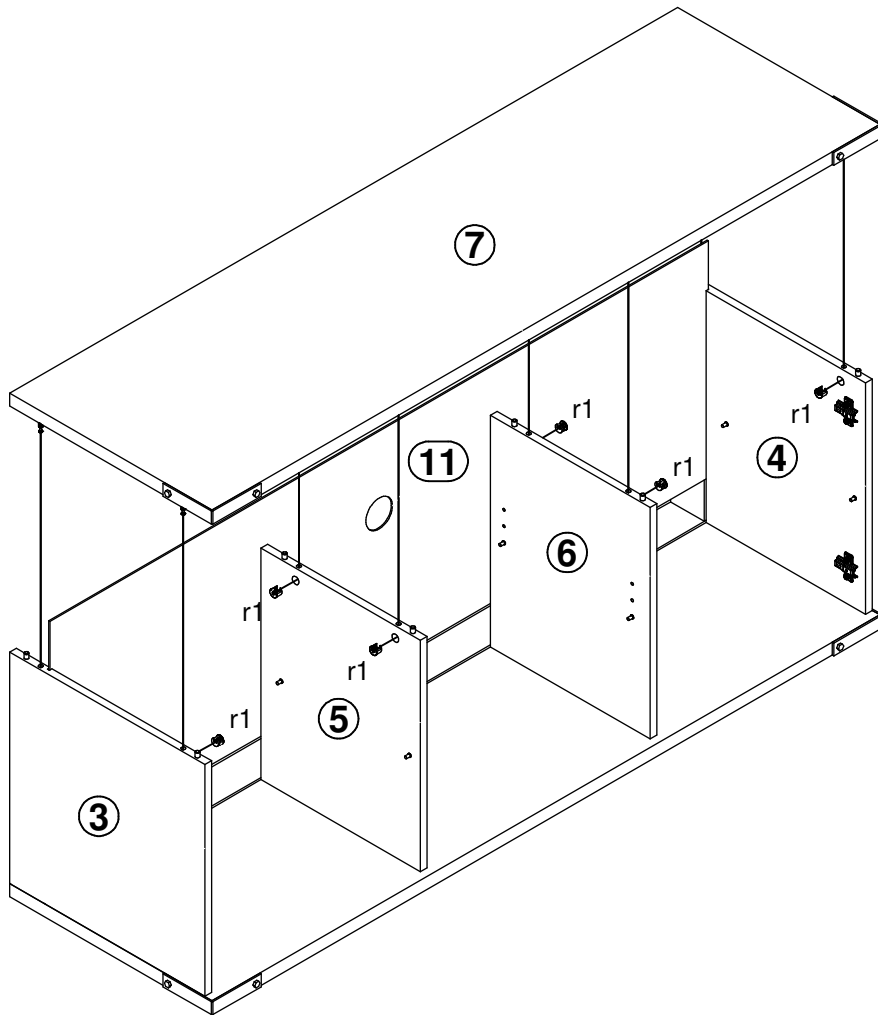
2



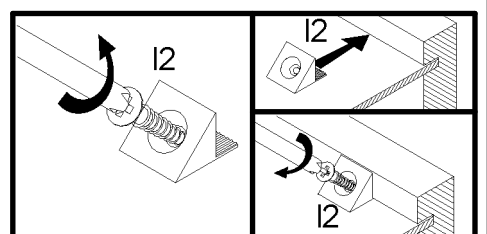
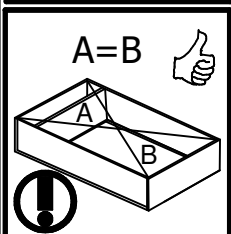
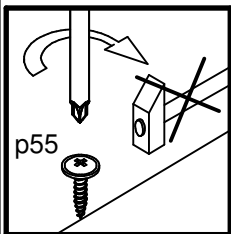
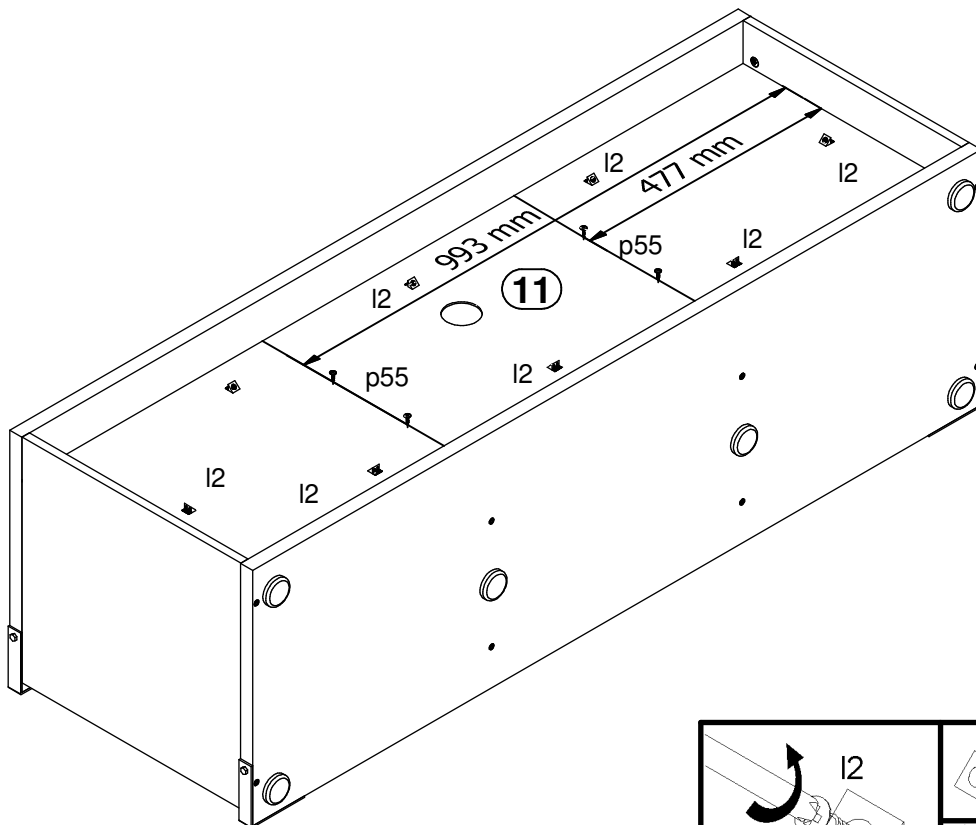
3



4



5



6

