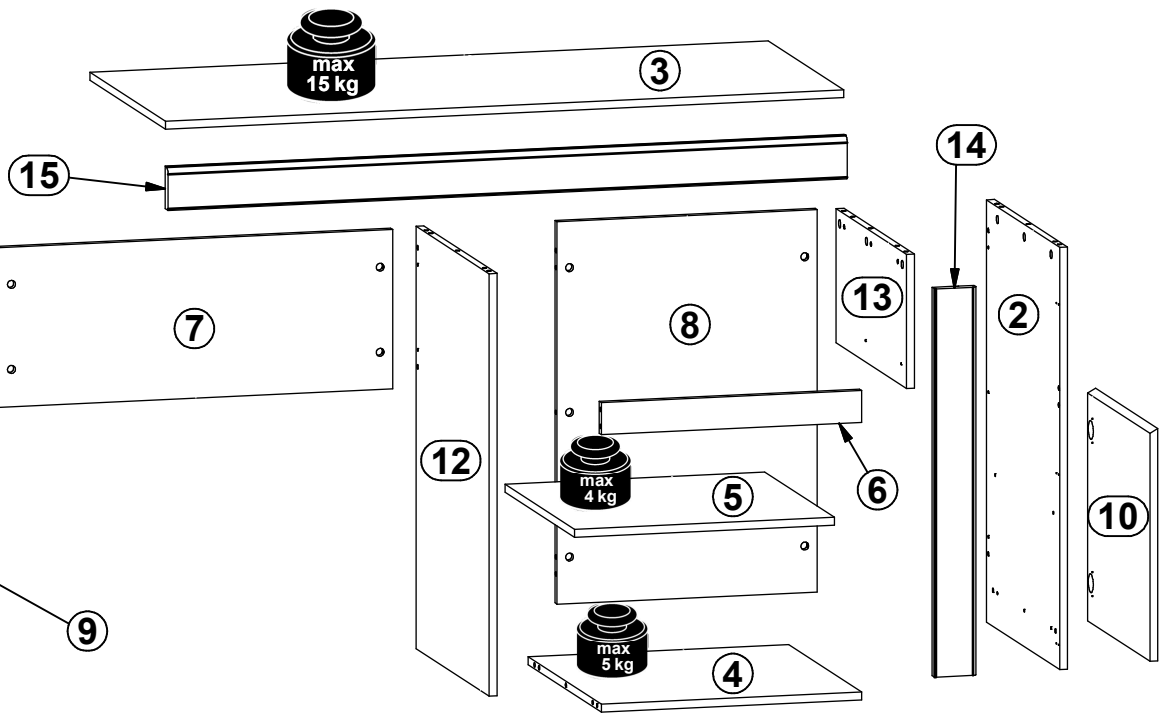
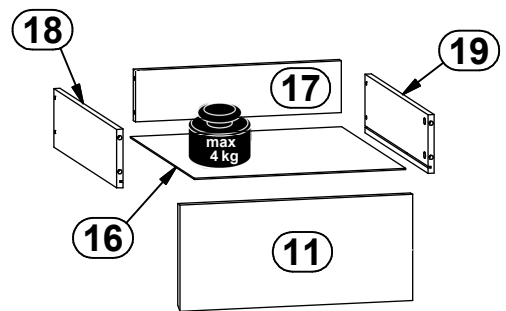
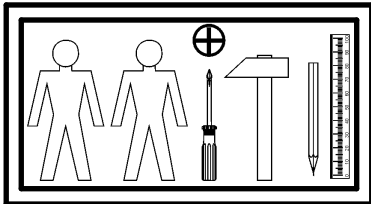
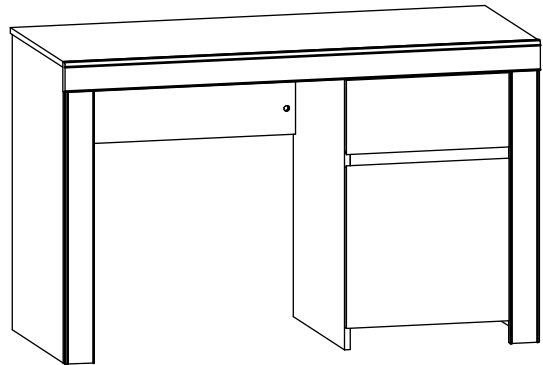
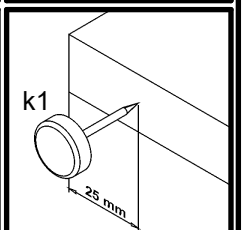
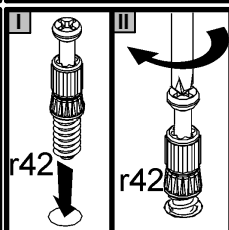
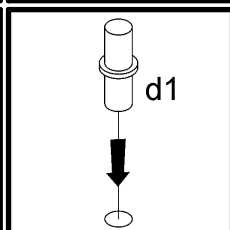
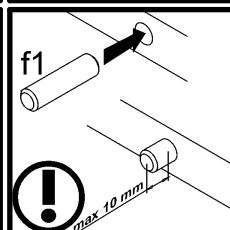
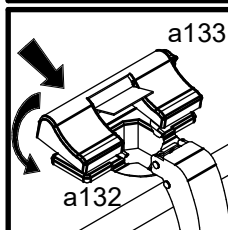
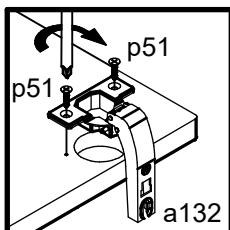
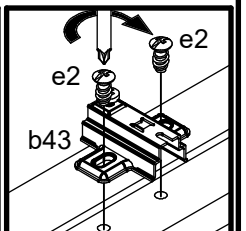
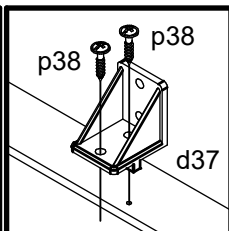
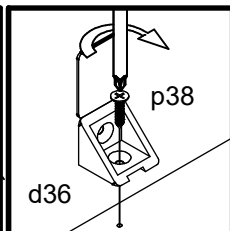
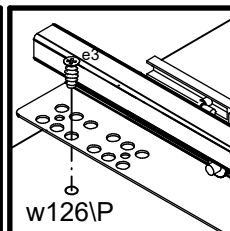
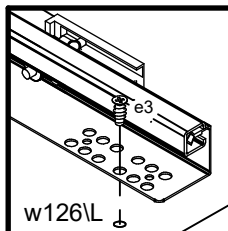
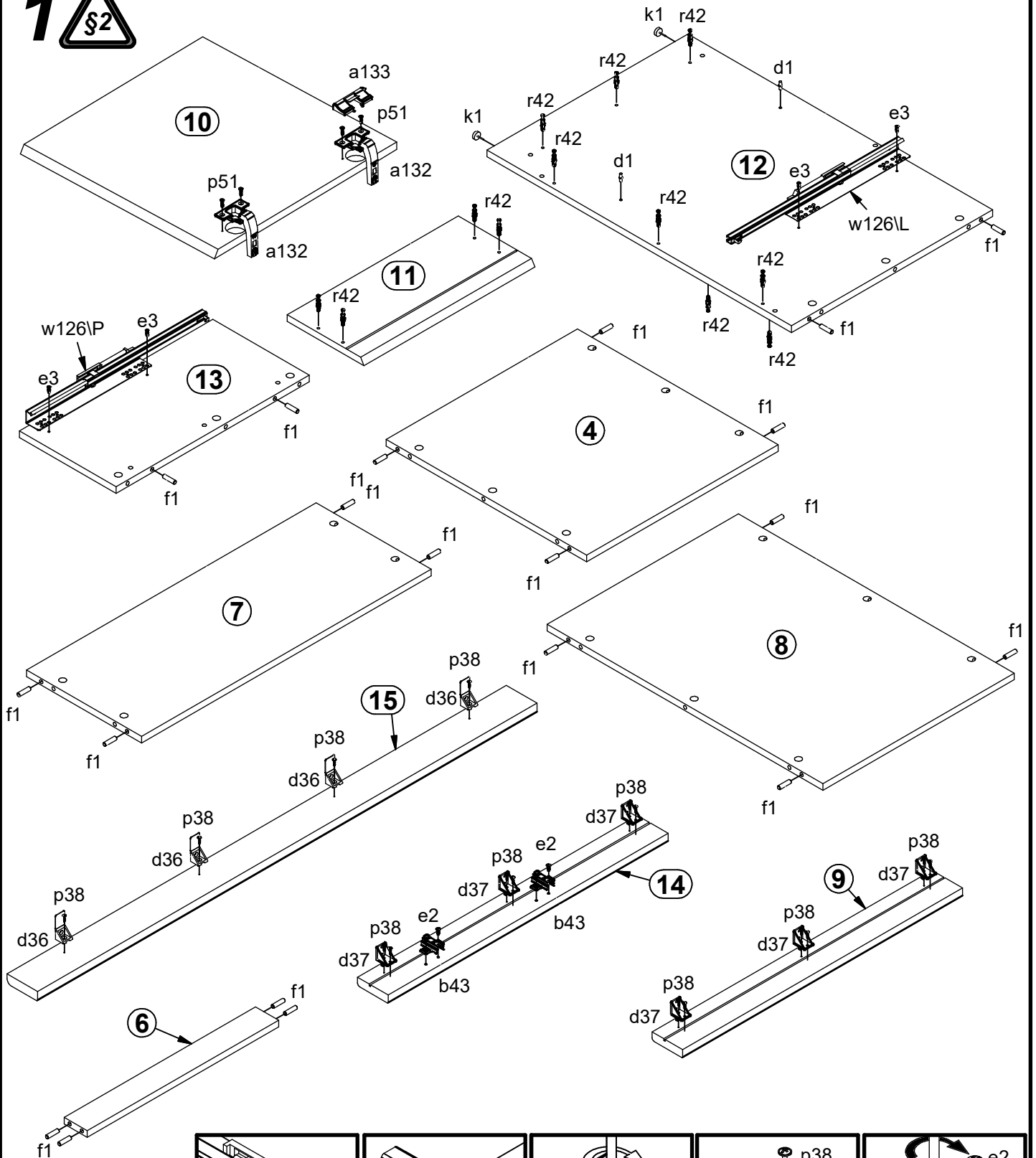


| A | B | C | D | |
|----|-----------|------|-----|-----|
| 1 | S440-1061 | 794 | 524 | 1/2 |
| 2 | S440-1062 | 794 | 524 | 1/2 |
| 3 | S440-2017 | 1300 | 540 | 2/2 |
| 4 | S440-3040 | 499 | 523 | 1/2 |
| 5 | S440-3041 | 498 | 498 | 1/2 |
| 6 | S440-4040 | 499 | 60 | 1/2 |
| 7 | S440-5059 | 755 | 300 | 1/2 |
| 8 | S440-5060 | 499 | 719 | 1/2 |
| 9 | S440-5061 | 730 | 80 | 2/2 |
| 10 | S493-0028 | 446 | 437 | 2/2 |
| 11 | S493-0029 | 446 | 200 | 2/2 |
| 12 | S493-1063 | 794 | 524 | 1/2 |
| 13 | S493-1064 | 252 | 504 | 1/2 |
| 14 | S493-5064 | 730 | 80 | 2/2 |
| 15 | S493-5101 | 1302 | 80 | 2/2 |
| 16 | S493-9020 | 457 | 405 | 1/2 |
| 17 | ZQ6-5327 | 395 | 97 | 2/2 |
| 18 | ZQ6-537 | 450 | 110 | 1/2 |
| 19 | ZQ6-538 | 450 | 110 | 1/2 |

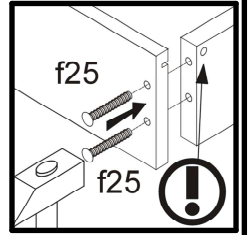
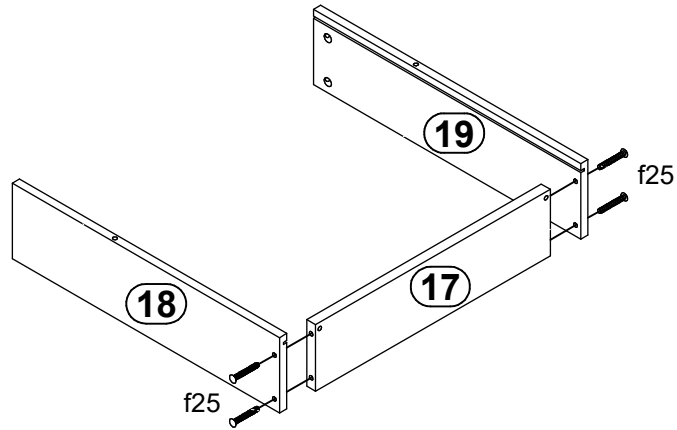


| | | | | | | | | |
|------------------------|------------------------|------------------------|-----------------------|-----------------------|--------------------------|----------------------------|--------------------|---------------------|
| 2x a132 | 1x a133 | 2x b43 | 4x d1 Ø5x17 mm | 4x d36 | 6x d37 | 4x e2 Ø6,3x13 mm | 4x e3 Ø6x13 mm | 24x f1 Ø8x30 mm |
| 4x f25 Ø6,5x40 mm | 6x k1 | 32x p38 Ø3,5x16 mm | 4x p51 Ø3,5x15 mm | 6x p55 Ø2,9x16 mm | 28x r1 Ø15x12 mm #16 | 4x r15 Ø12x10,5 mm #12 | 32x r42 20/11 | 4x s68 Ø 20mm |
| 1x w126/L L=450 mm | 1x w126/P L=450 mm | | | | | | | |

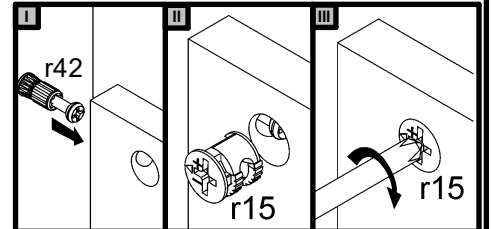
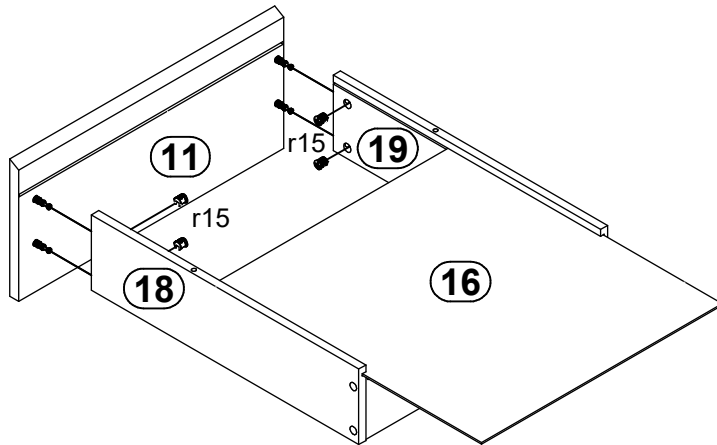
1



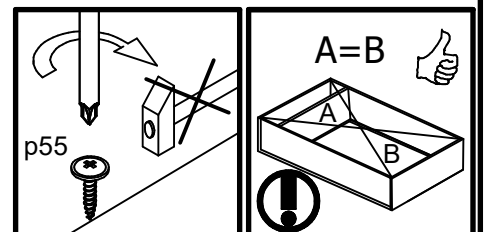
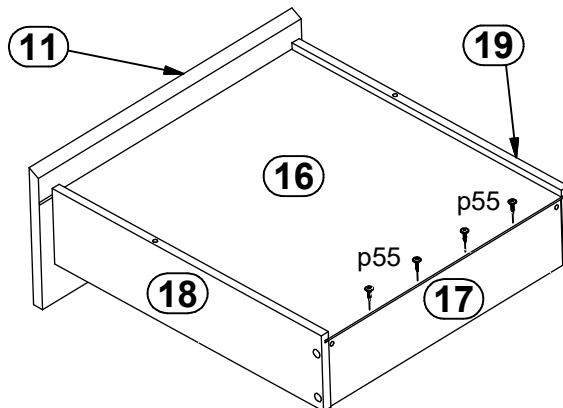
2 



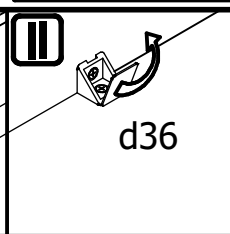
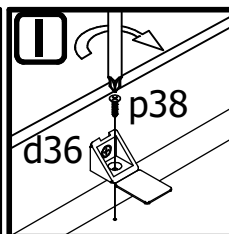
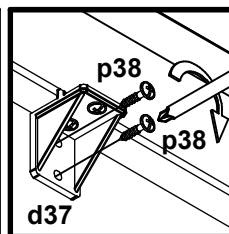
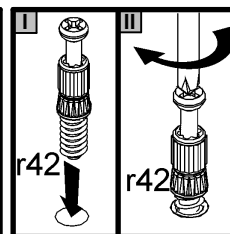
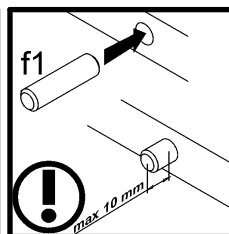
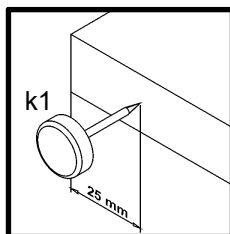
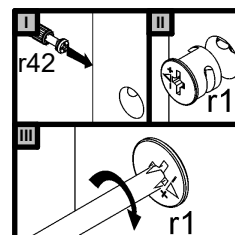
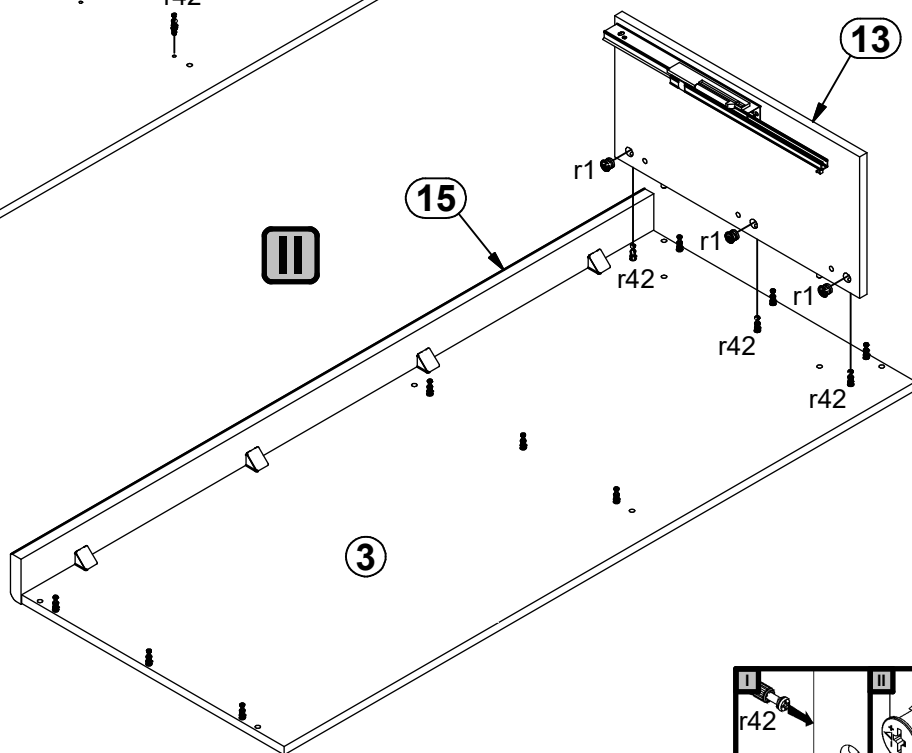
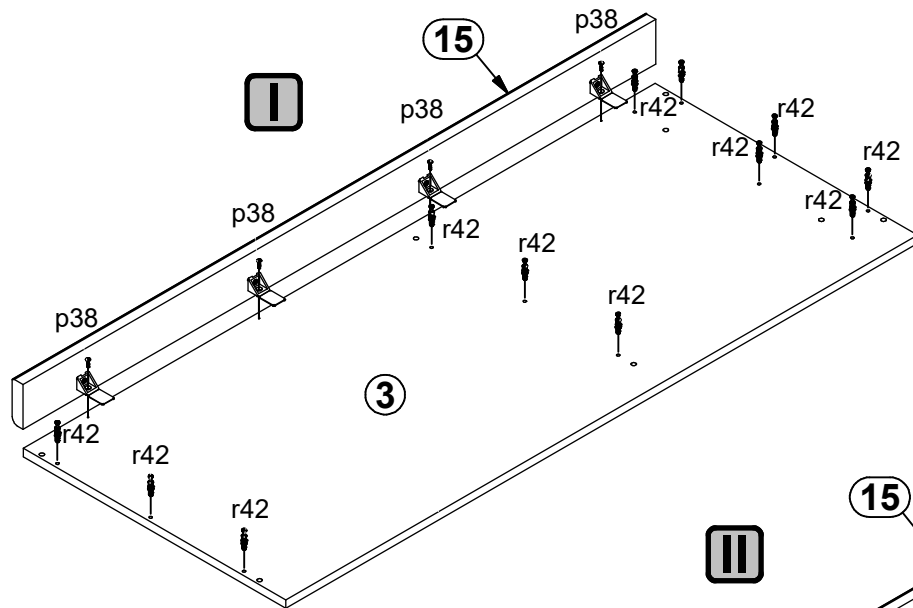
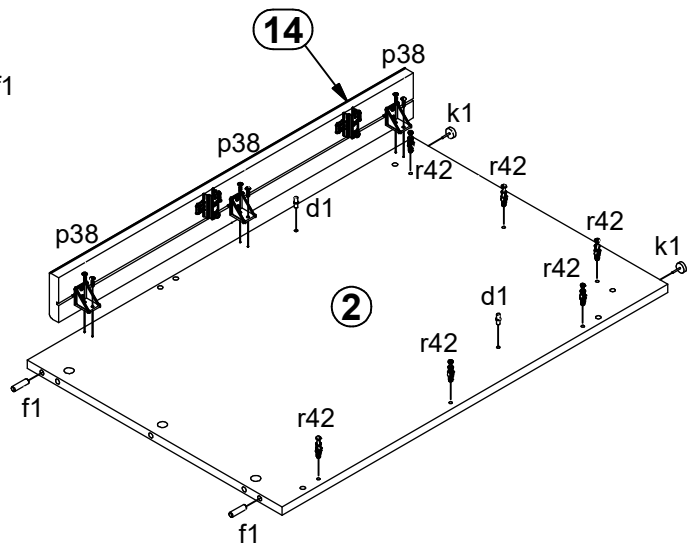
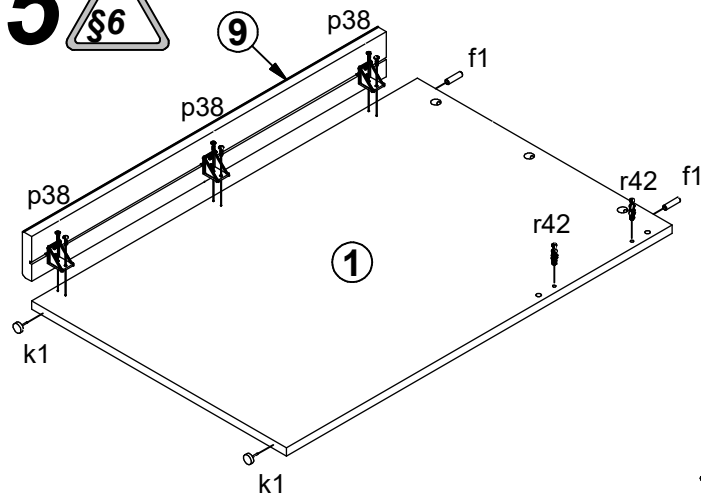
3 



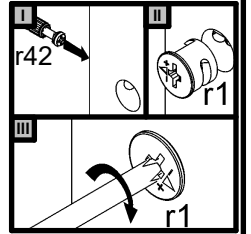
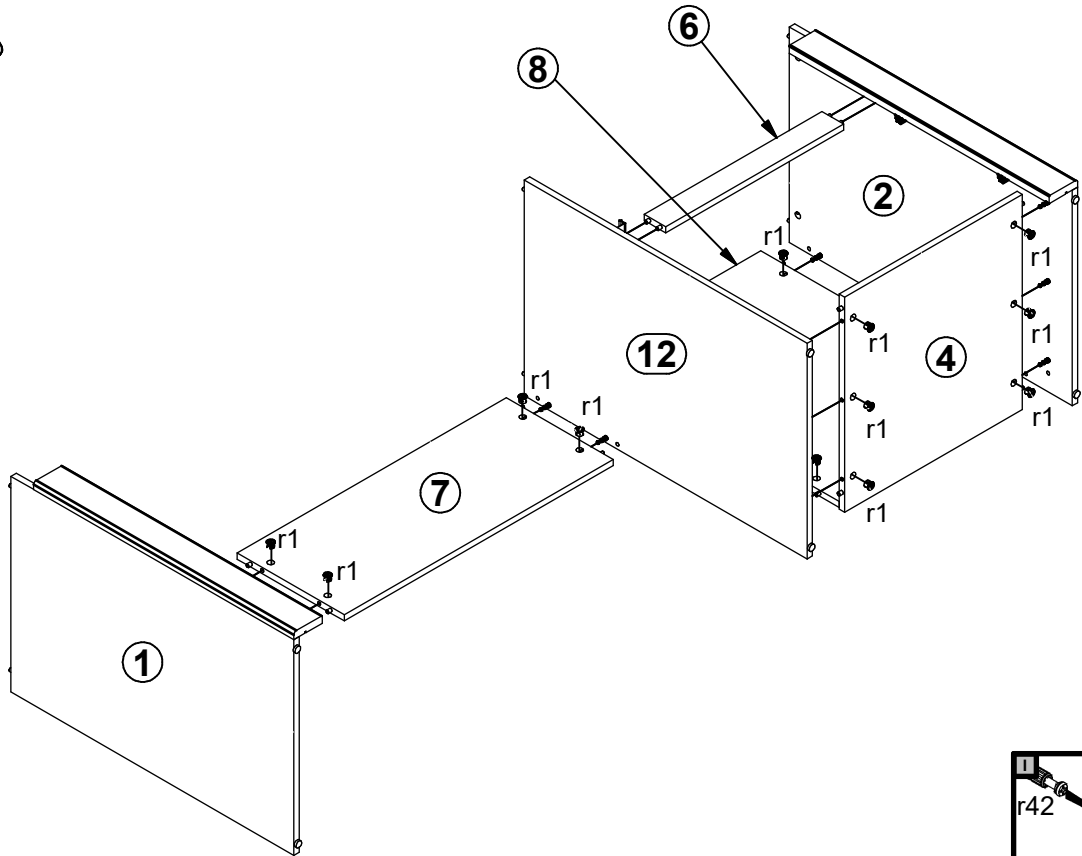
4 



5



6



7

