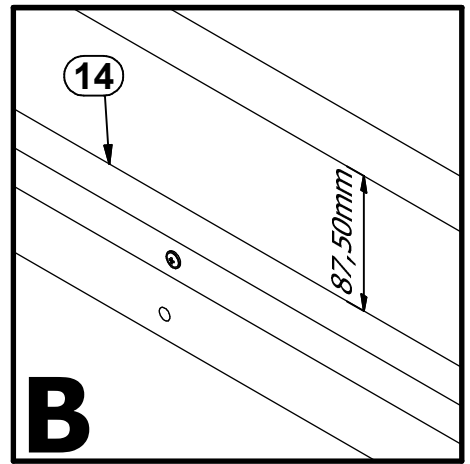
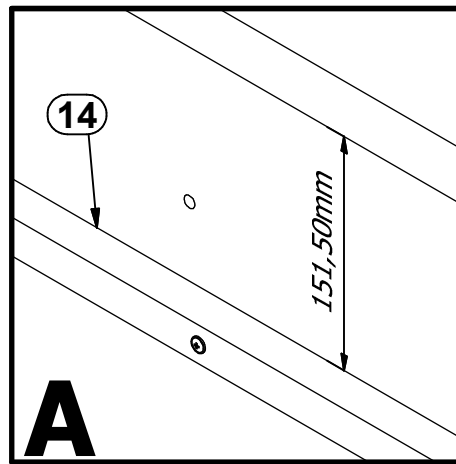
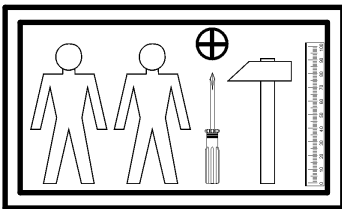
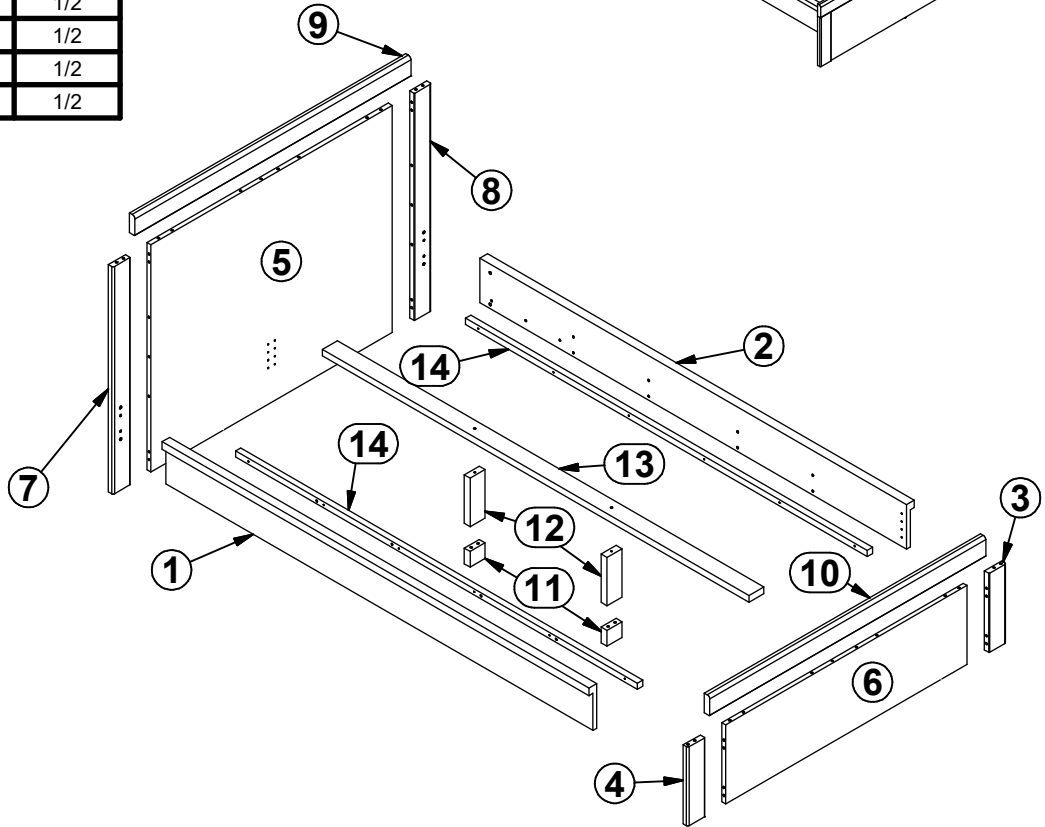
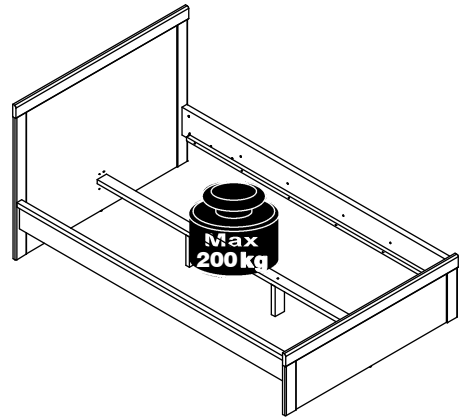
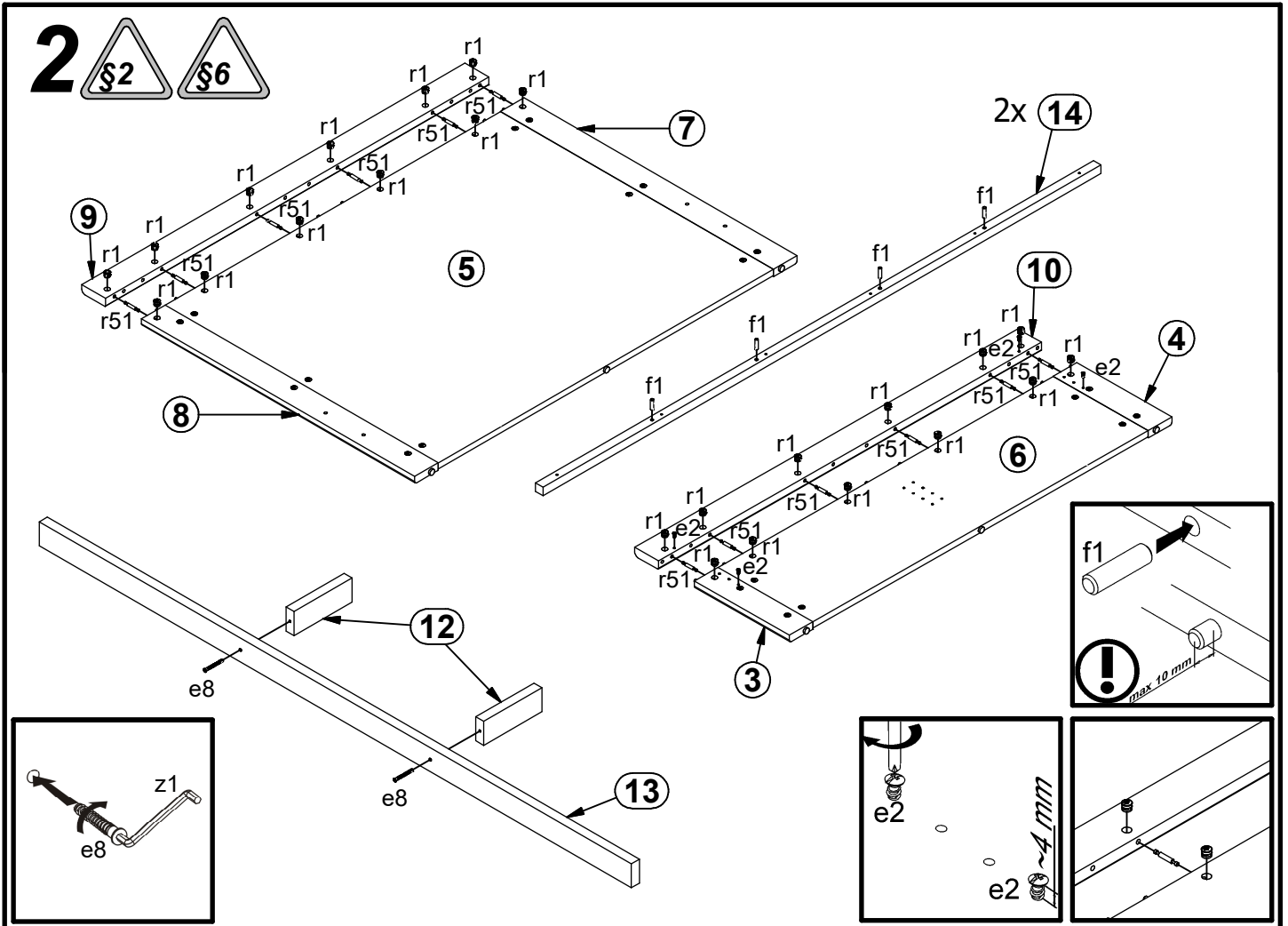
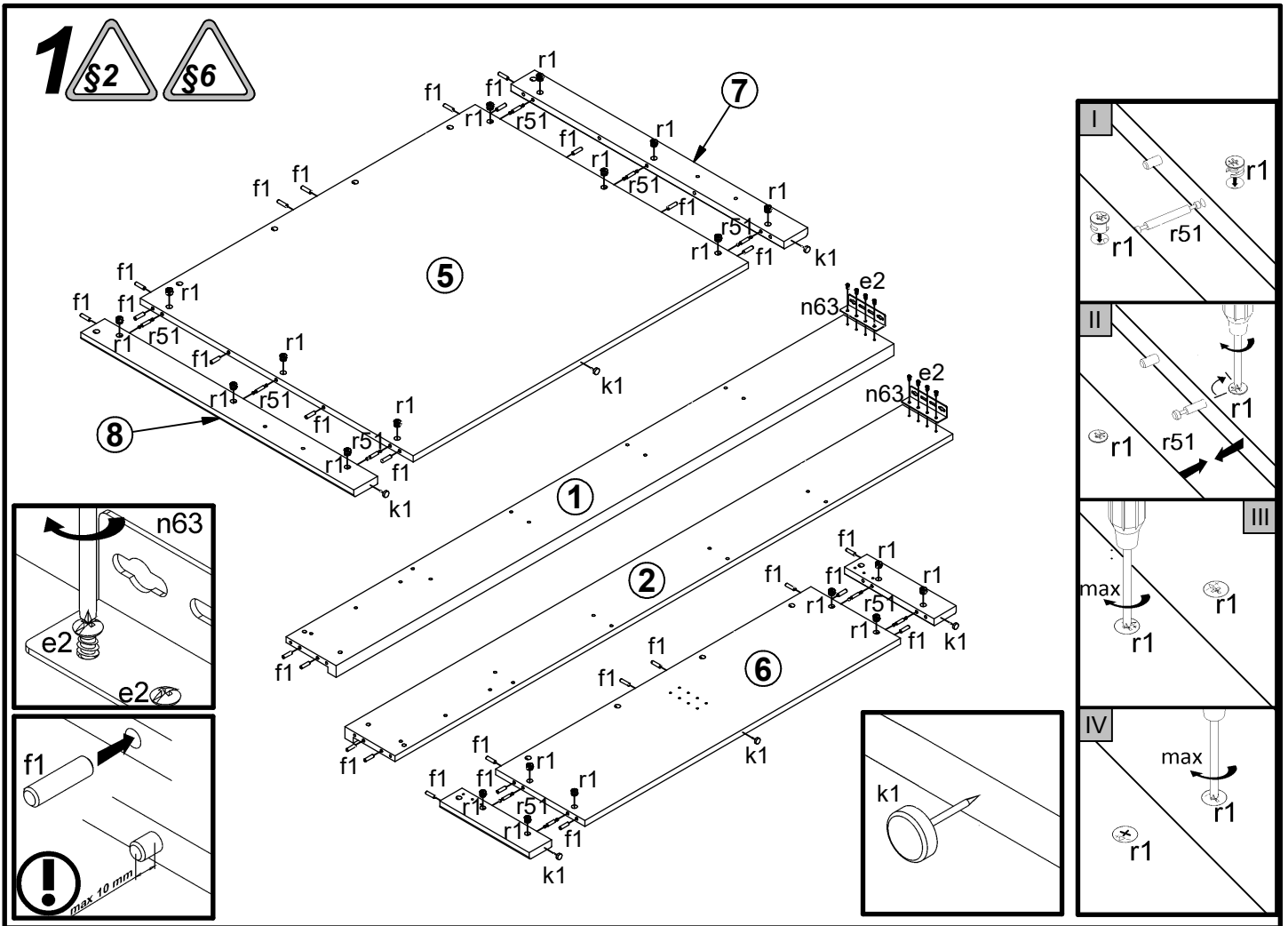


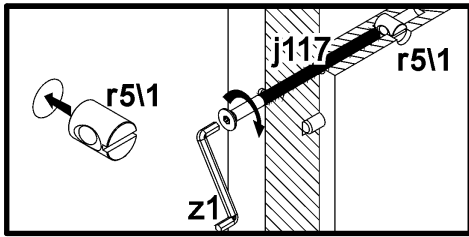
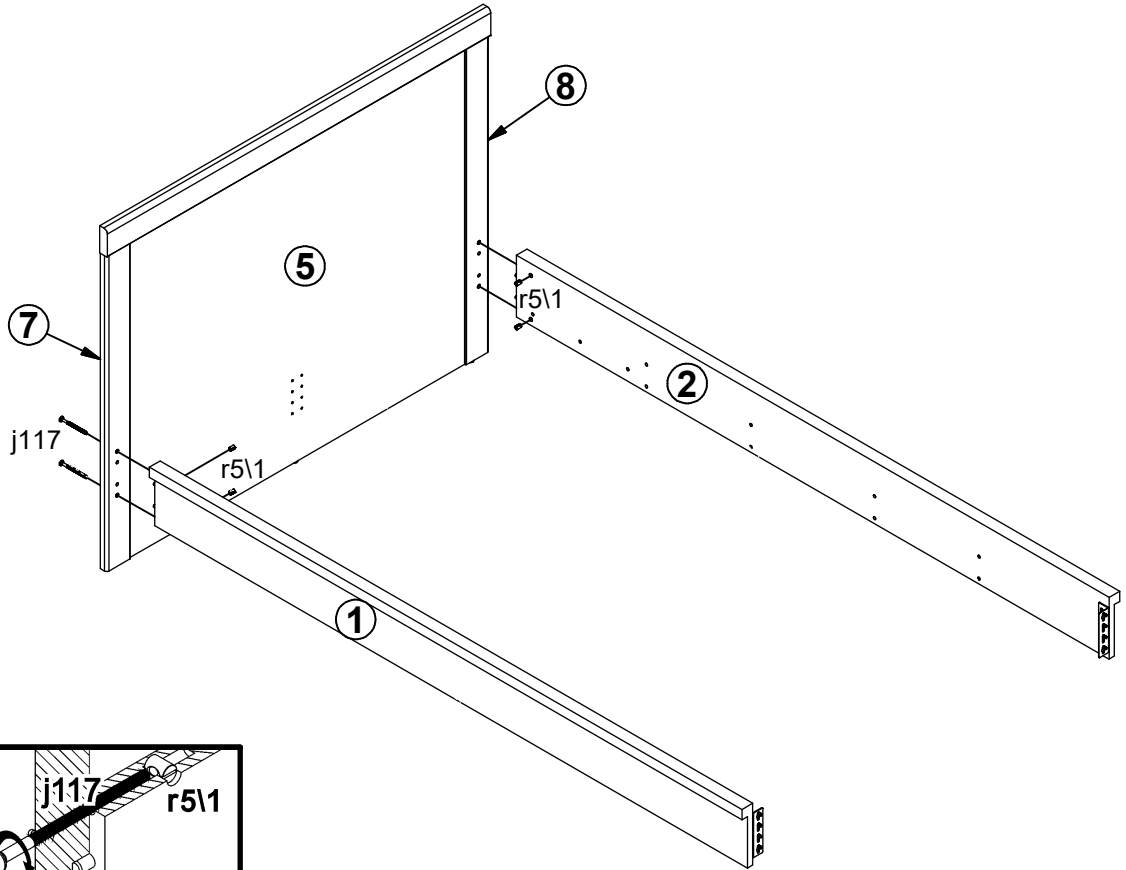
A	B	C	D	
1	S440-1010	1996	180	1/2
2	S440-1011	1996	180	1/2
3	S440-5009	320	80	2/2
4	S440-5010	320	80	2/2
5	S493-4042	1129	920	2/2
6	S493-4043	1129	320	2/2
7	S493-5007	920	80	2/2
8	S493-5008	920	80	2/2
9	S493-5111	1291	80	2/2
10	S493-5112	1291	80	2/2
11	ZZ1-431	64	70	1/2
12	ZZ1-434	196	70	1/2
13	ZZ1-718	1995	70	1/2
14	ZZ1-747	1880	25	1/2



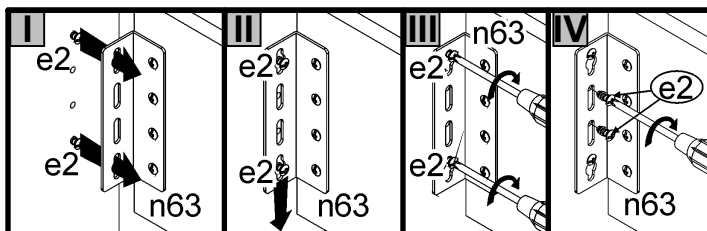
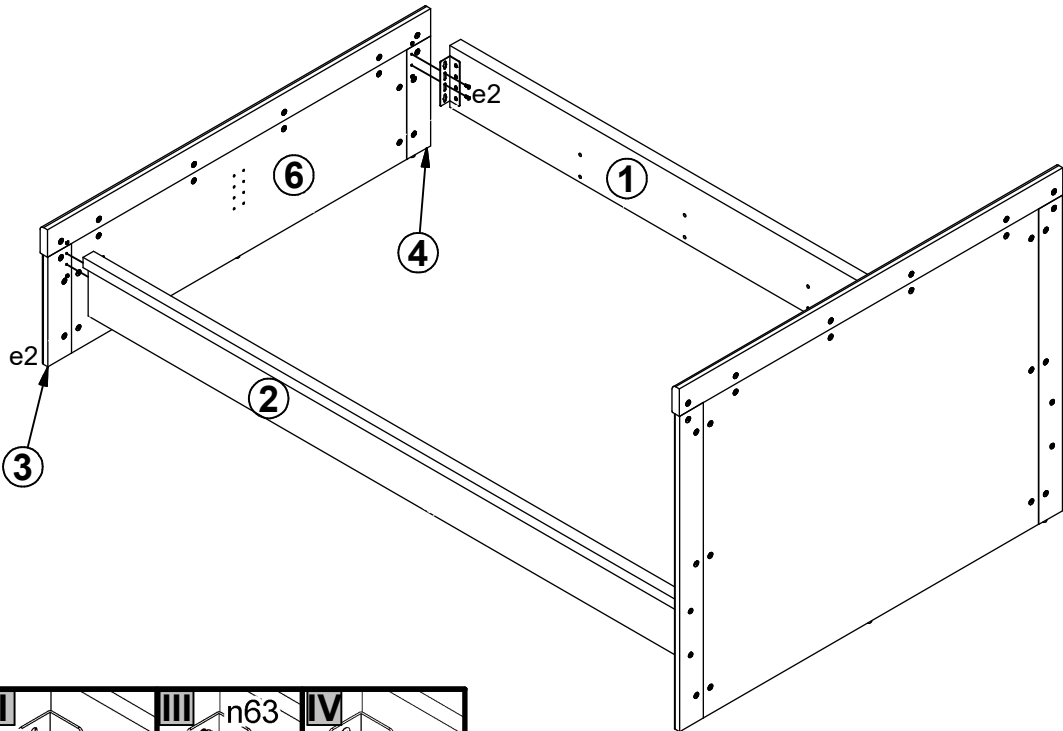
16x Ø6,3x13 mm e2	8x Ø6x13 mm e3	2x Ø7x60 mm e8	36x Ø8x30 mm f1	4x Ø8x50 mm f6	4x M6x84 mm j117	6x k1	2x 70x50x45/2 mm n111	2x 130x34x34/2 mm n63
12x Ø4x40 mm p10	4x Ø3,5x25 mm p16	6x Ø4x35 mm p6	44x Ø15x12 mm #16 r1	22x 40 mm r51	4x Ø10x13 mm r51	4x Ø20mm s68	1x 4 mm z1	



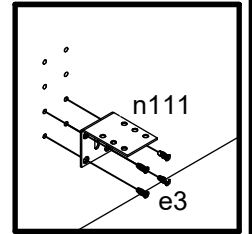
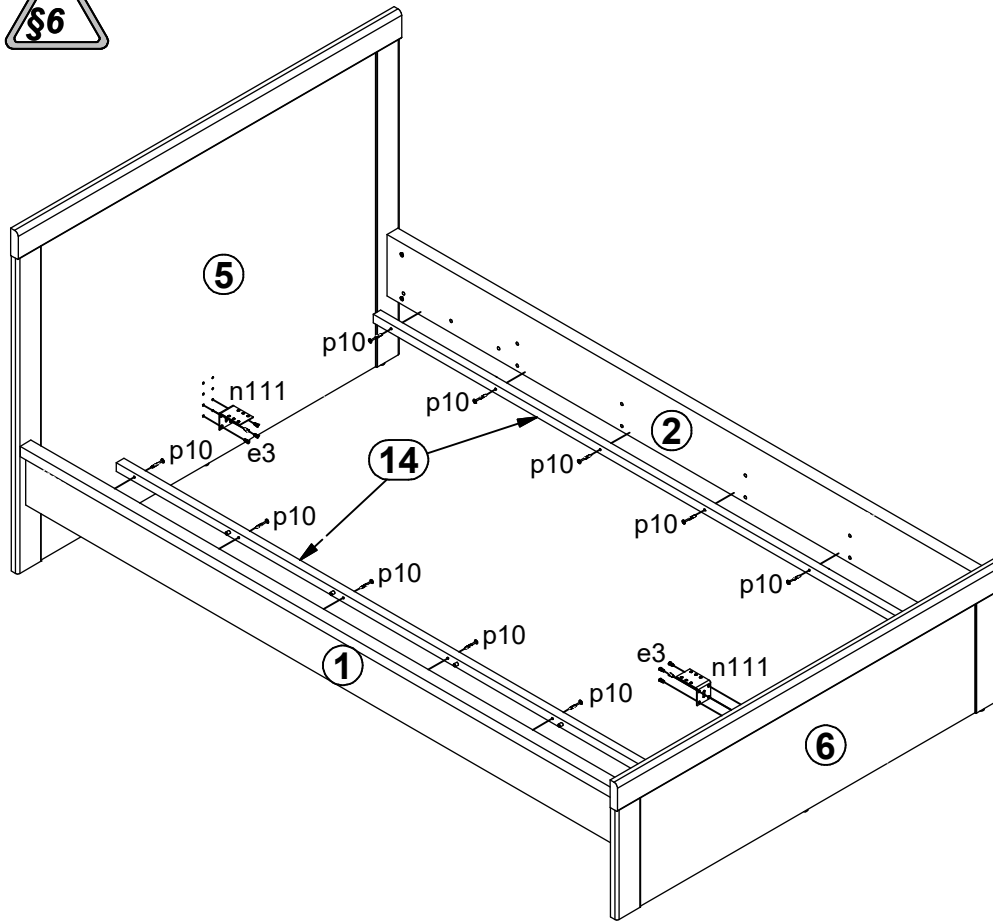
3 §6



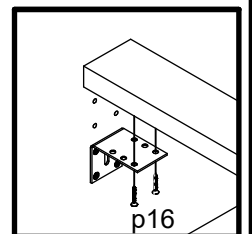
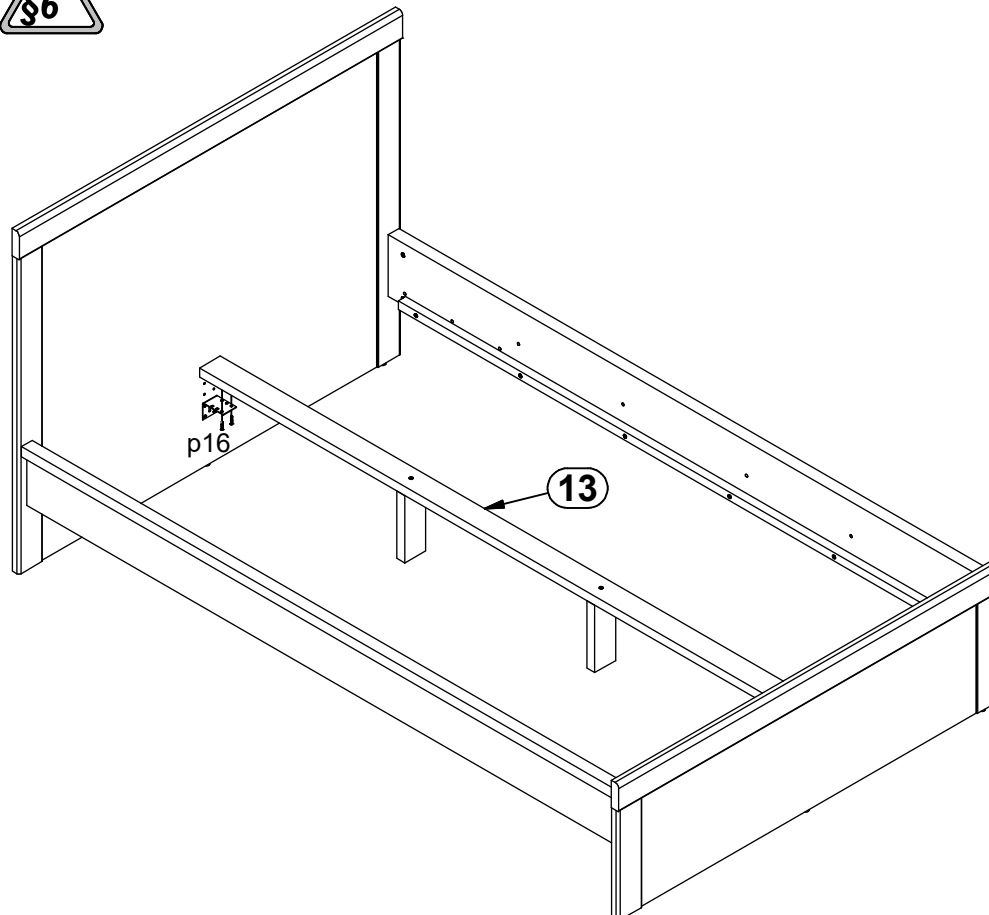
4 §6



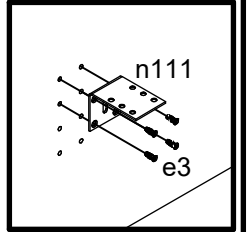
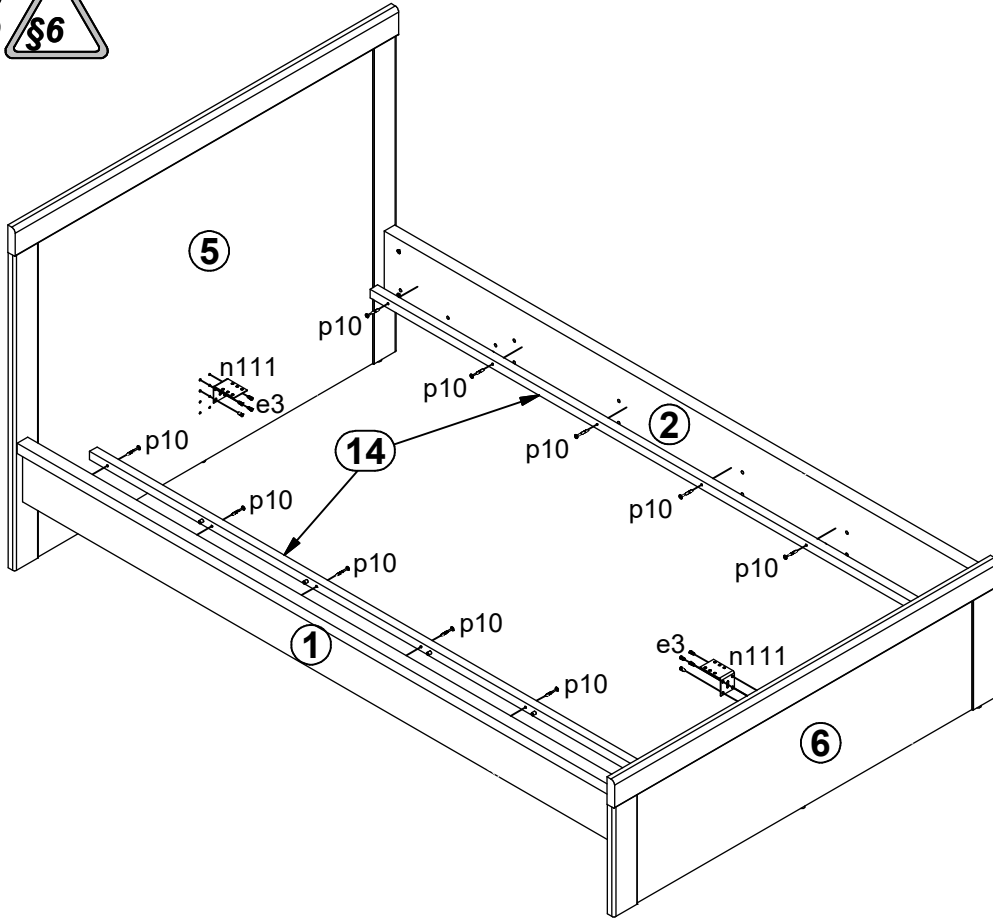
# 5A



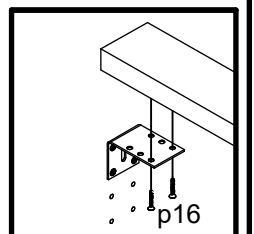
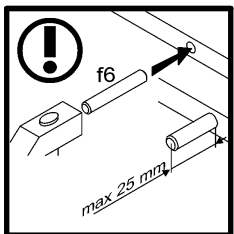
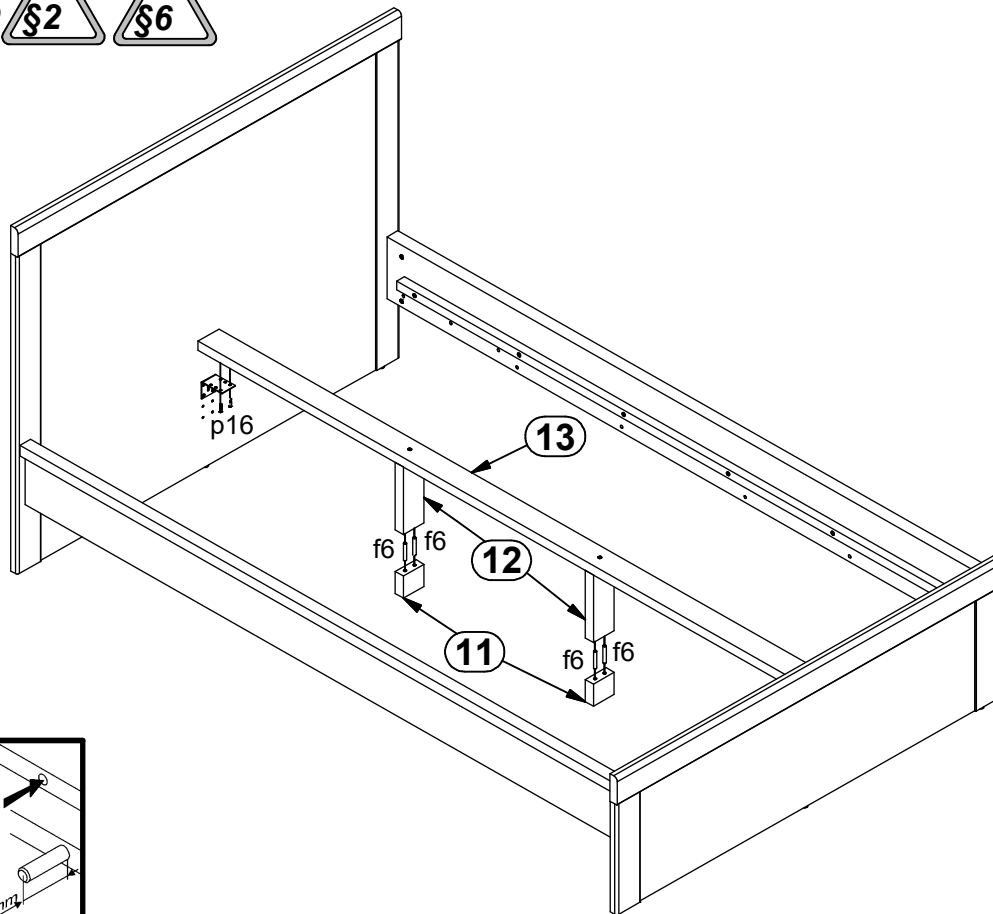
# 6A



# 5B



# 6B



# 7

