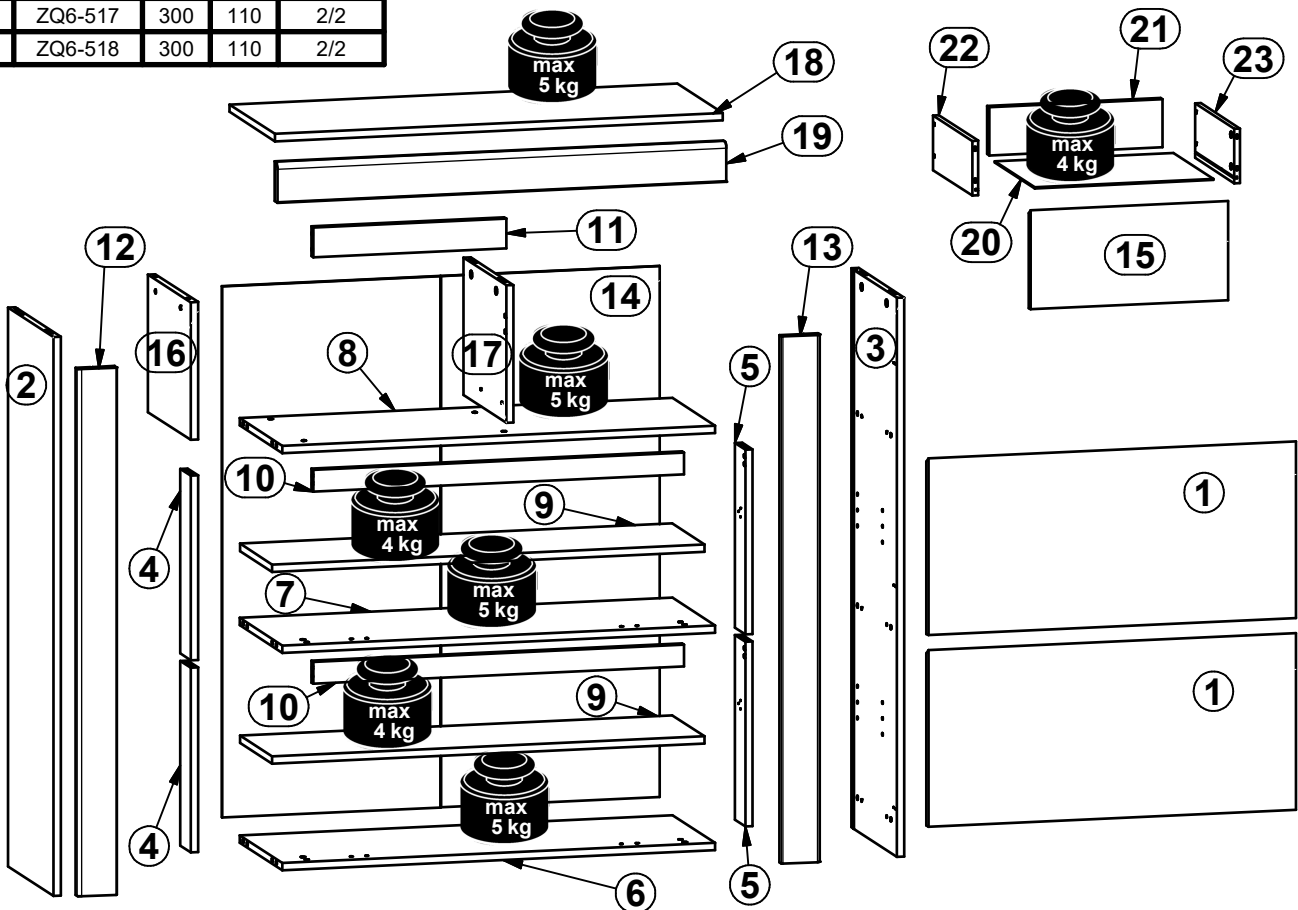
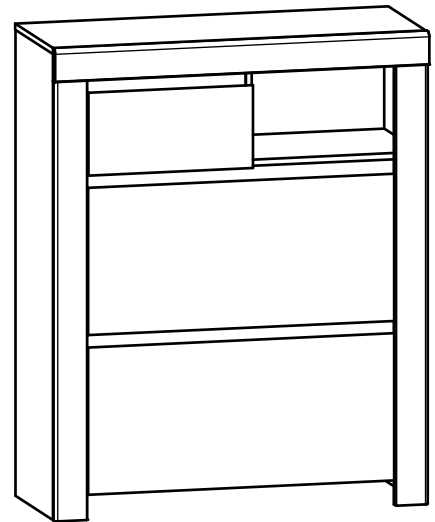
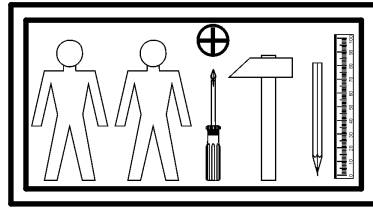
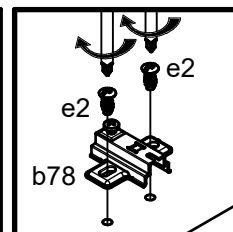
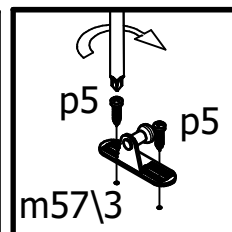
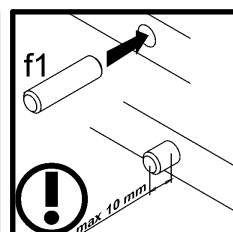
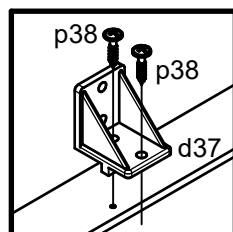
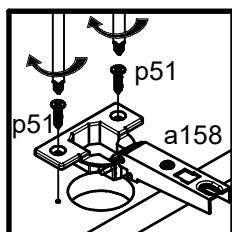
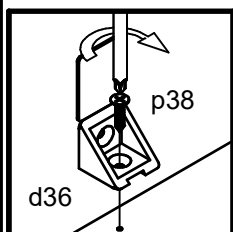
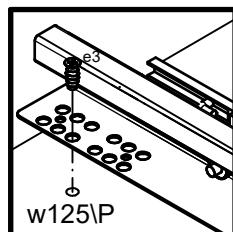
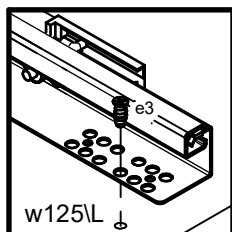
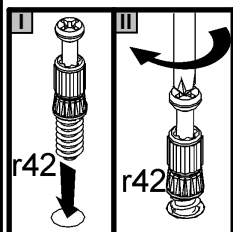
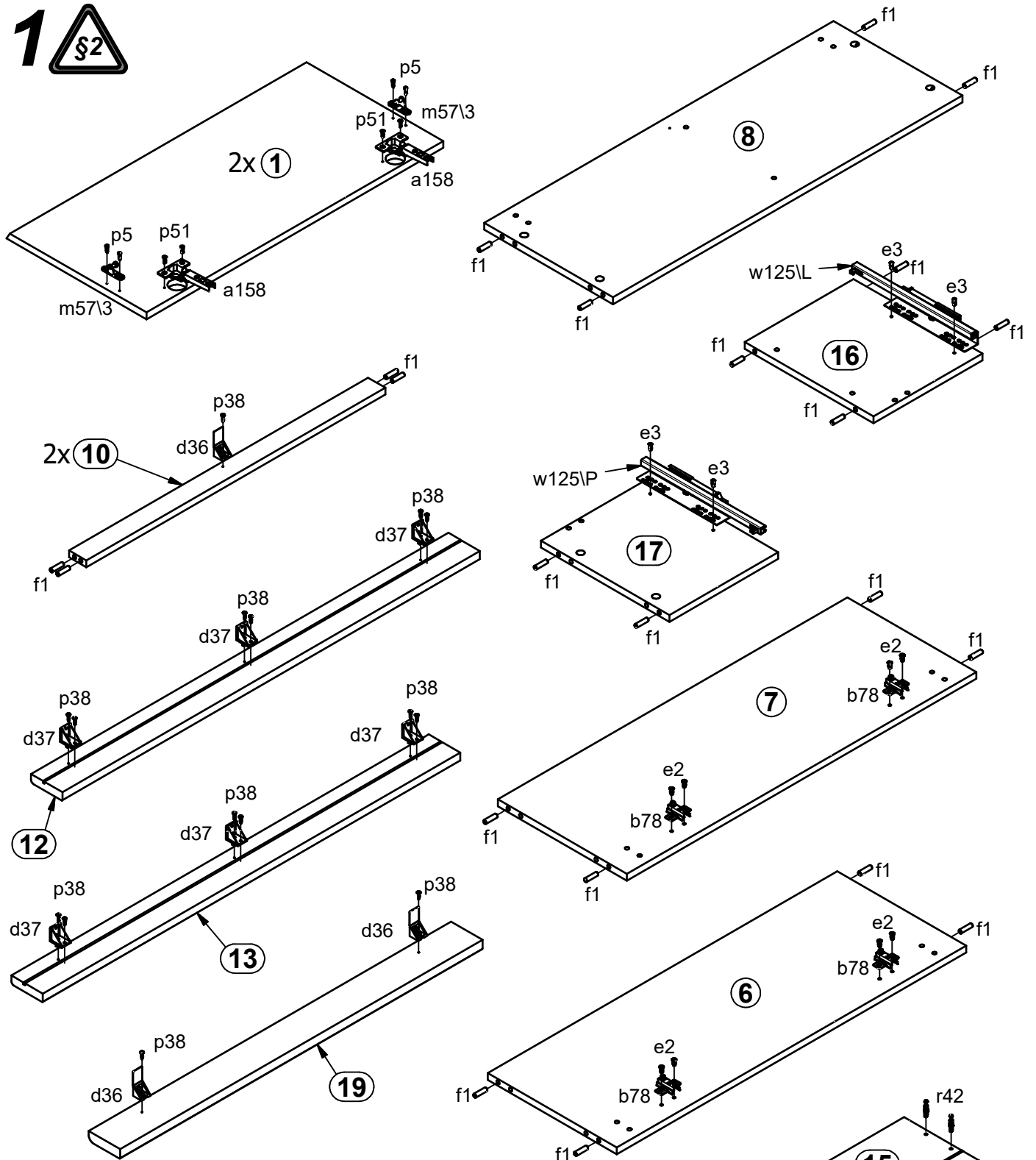


A	B	C	D	
1	S440-0011	755	356	1/2
2	S440-1019	1126	348	1/2
3	S440-1020	1126	348	1/2
4	S440-1023	372	80	2/2
5	S440-1024	372	80	2/2
6	S440-3010	889	328	2/2
7	S440-3011	889	328	2/2
8	S440-3012	889	328	2/2
9	S440-3013	888	247	2/2
10	S440-4018	761	44	1/2
11	S440-4019	396	60	2/2
12	S440-5021	1062	80	1/2
13	S440-5022	1062	80	1/2
14	S440-9303	1070	899	1/2
15	S493-0012	406	200	2/2
16	S493-1021	277	328	1/2
17	S493-1022	277	327	1/2
18	S493-2005	920	348	2/2
19	S493-5106	922	80	2/2
20	S493-9009	367	307	2/2
21	ZQ6-5080	356	97	2/2
22	ZQ6-517	300	110	2/2
23	ZQ6-518	300	110	2/2

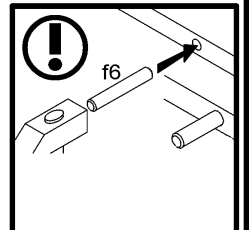
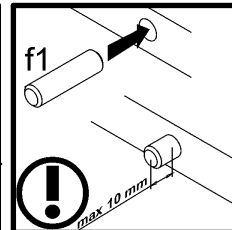
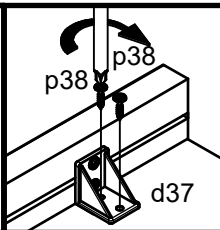
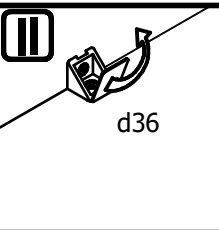
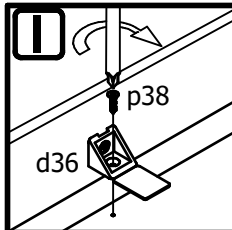
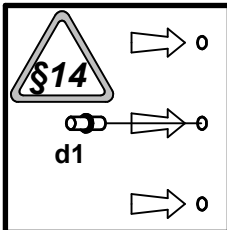
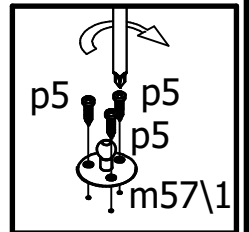
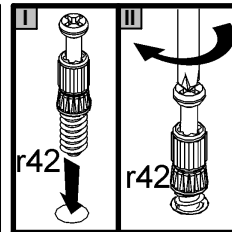
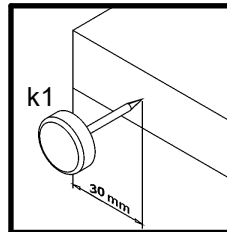
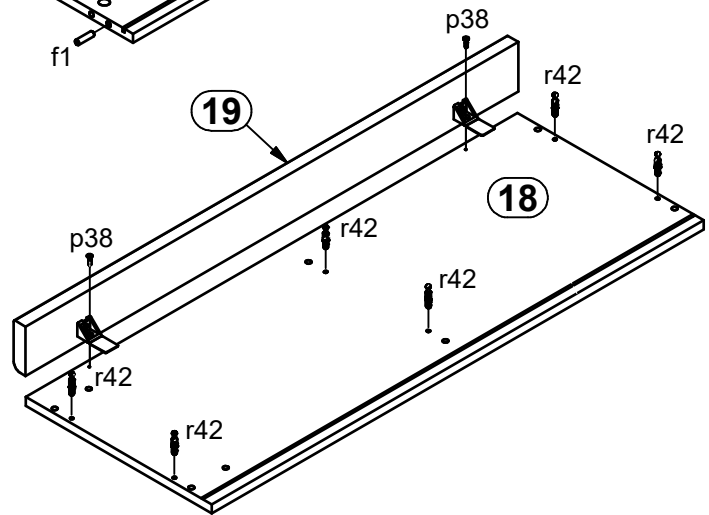
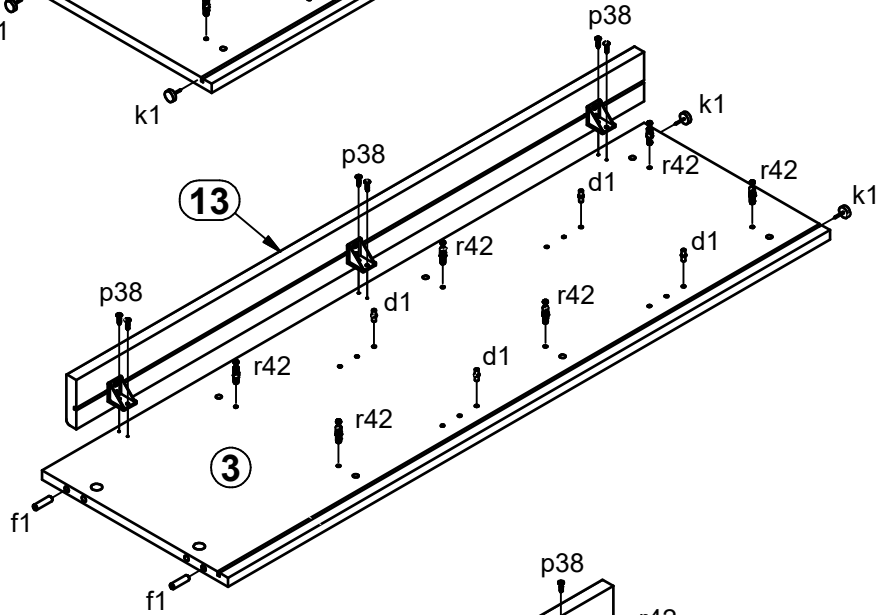
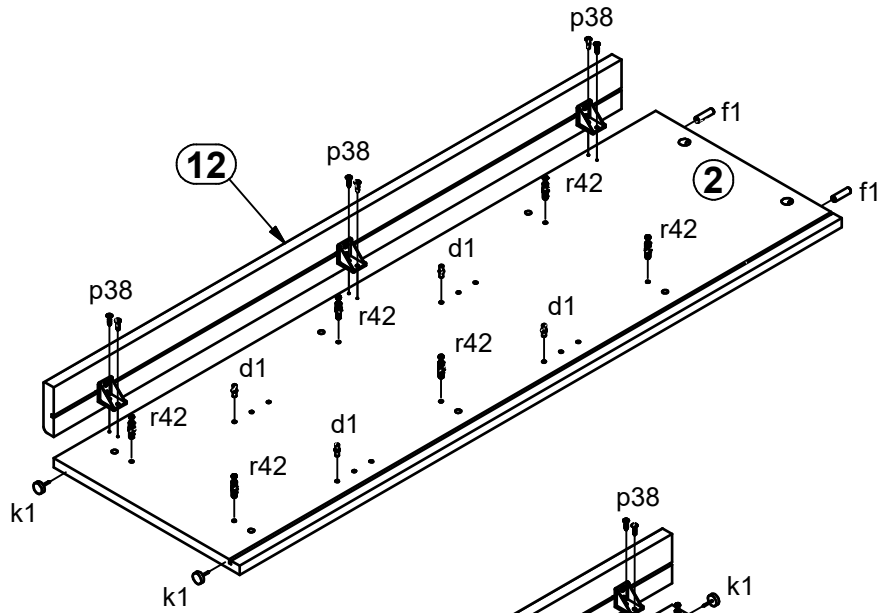
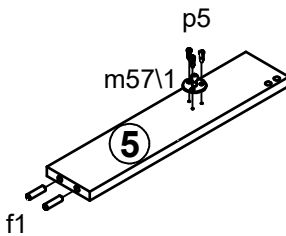
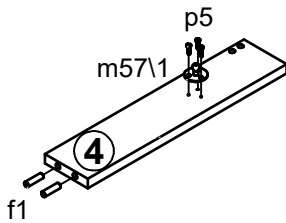
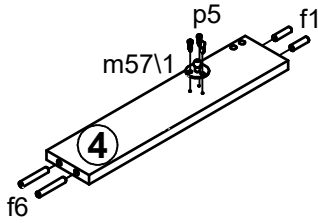
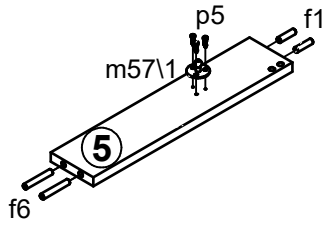
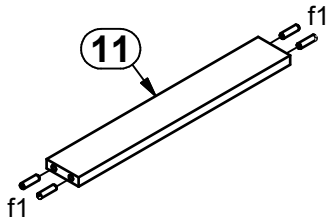


4x  a158	4x  b78	8x  d1 Ø5x17 mm	4x  d36	6x  d37	2x  e1 Ø7x50 mm	8x  e2 Ø6.3x13 mm	4x  e3 Ø6x13 mm	42x  f1 Ø8x30 mm
4x  f25 Ø6.5x40 mm	4x  f6 Ø8x50 mm	4x  k1	8x  l2	8x  l64	4x  m56/1 80N	4x  m57/1	4x  m57/3	33x  p38 Ø3.5x16 mm
20x  p5 Ø3.5x13 mm	8x  p51 Ø3.5x15 mm	14x  p55 Ø2.9x16 mm	18x  r1 Ø15x12 mm #16	4x  r15 Ø12x10.5 mm #12	22x  r42 20/11	1x  w125/L 300mm	1x  w125/P 300mm	2x  s68 Ø 20mm
1x  z1 4 mm								1x  n26

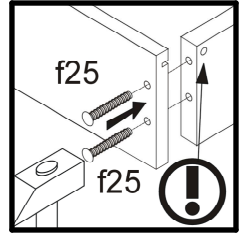
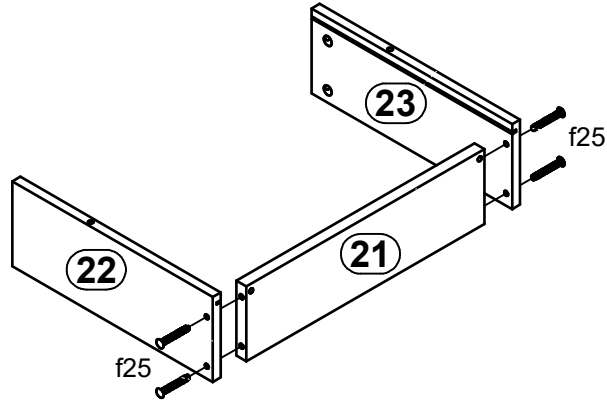
1 



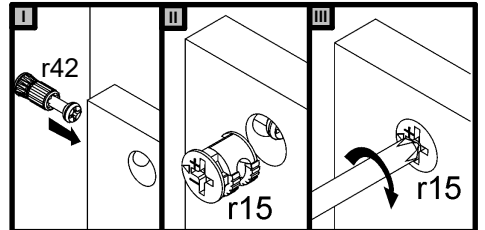
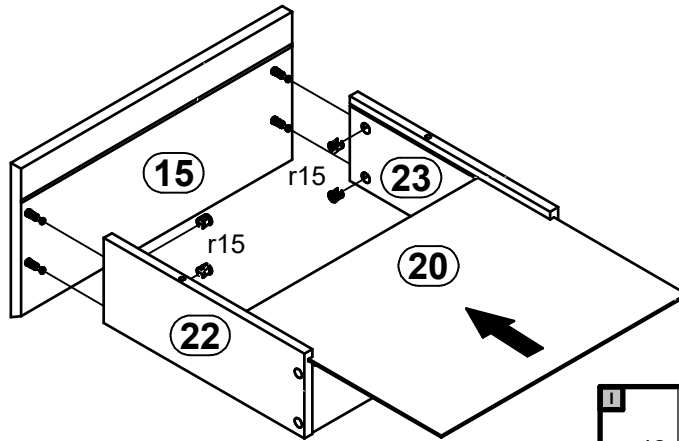
**2**  



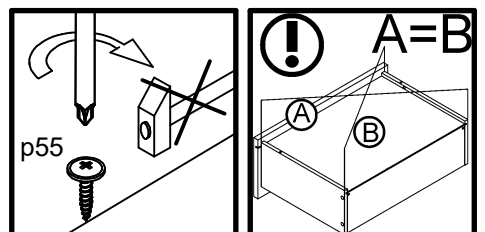
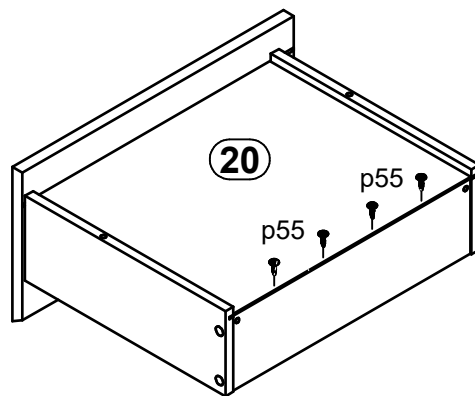
3 



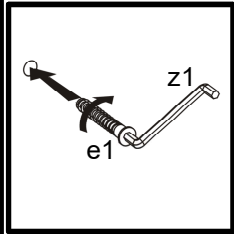
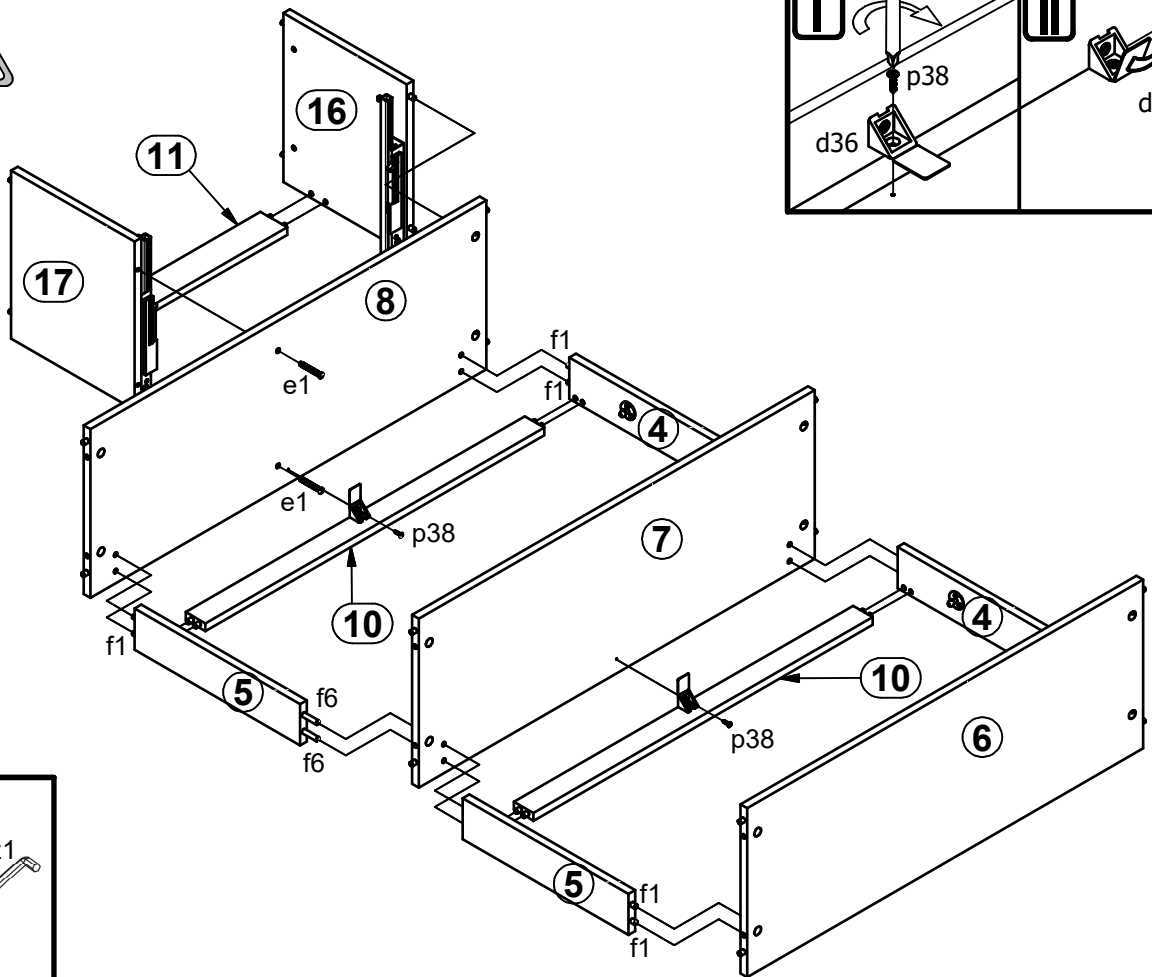
4 



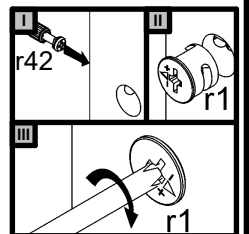
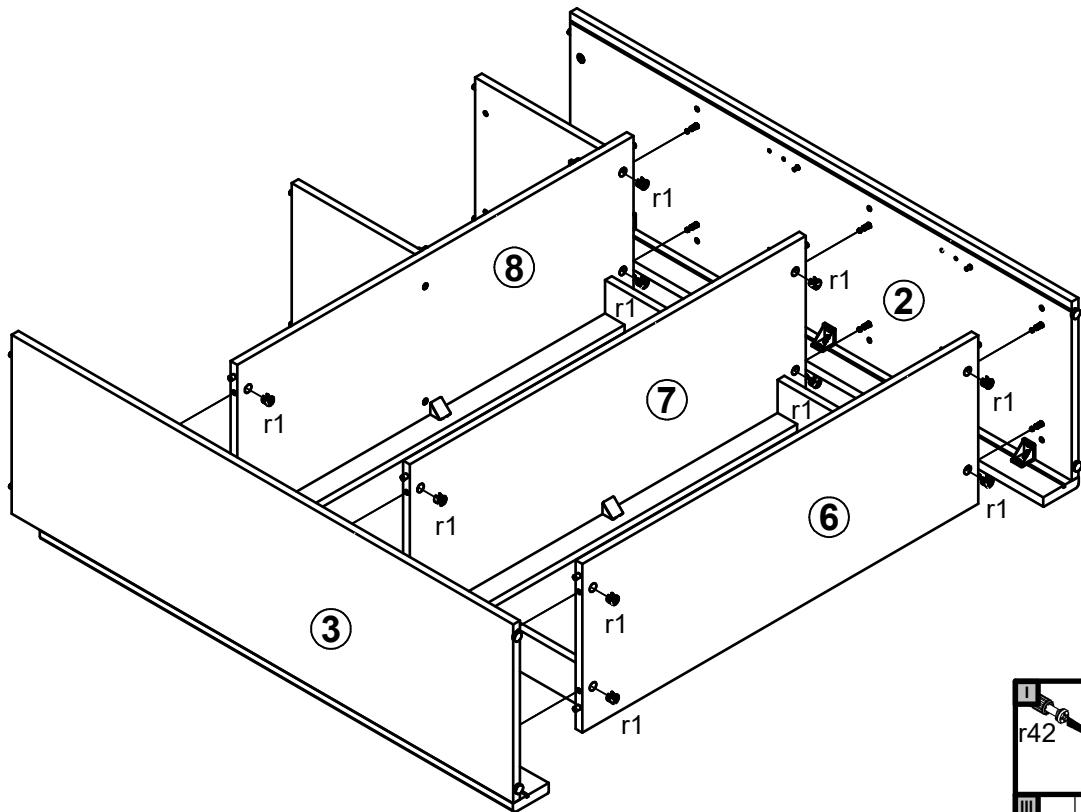
5 



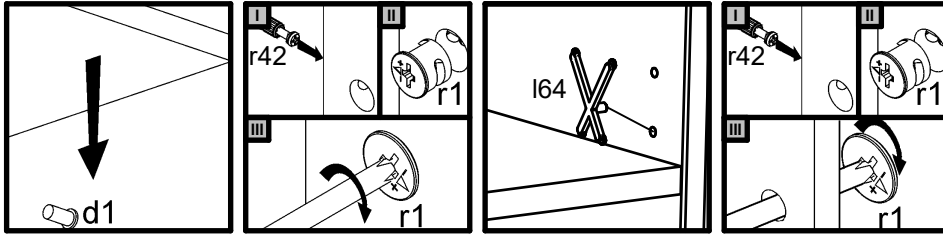
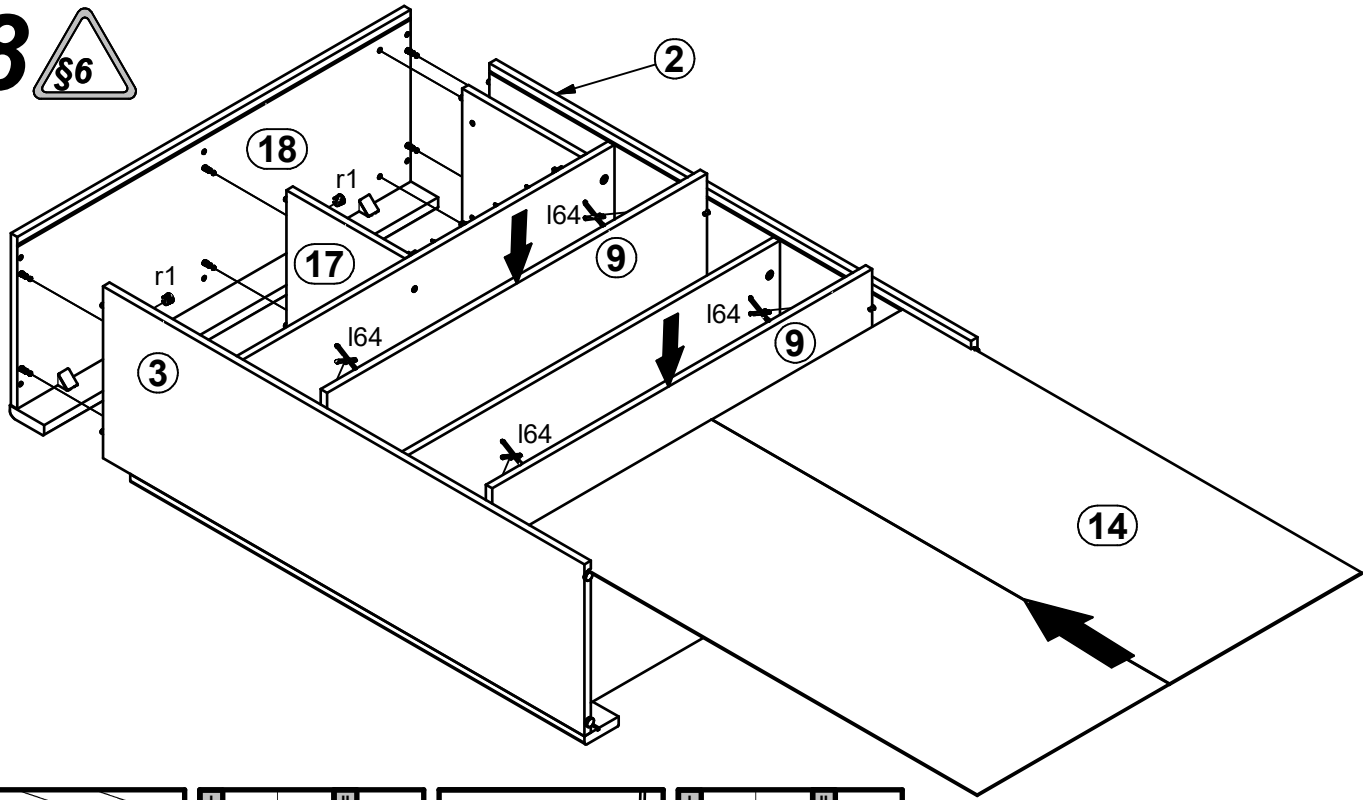
**6** §6



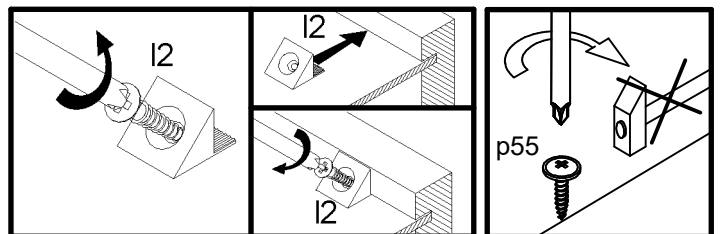
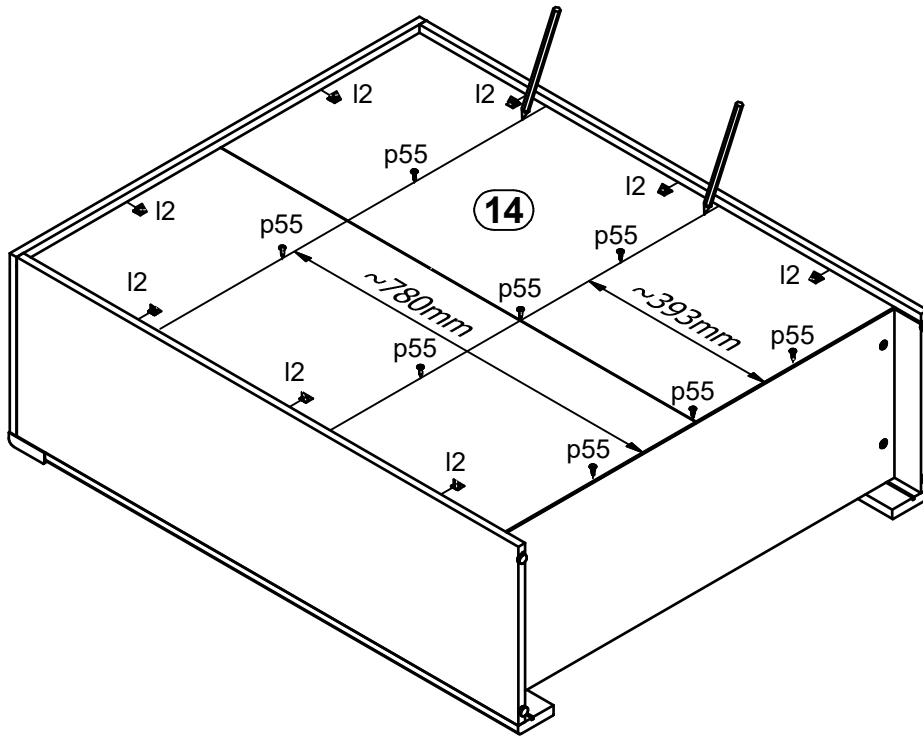
**7** §6



8 



9 



# 10

