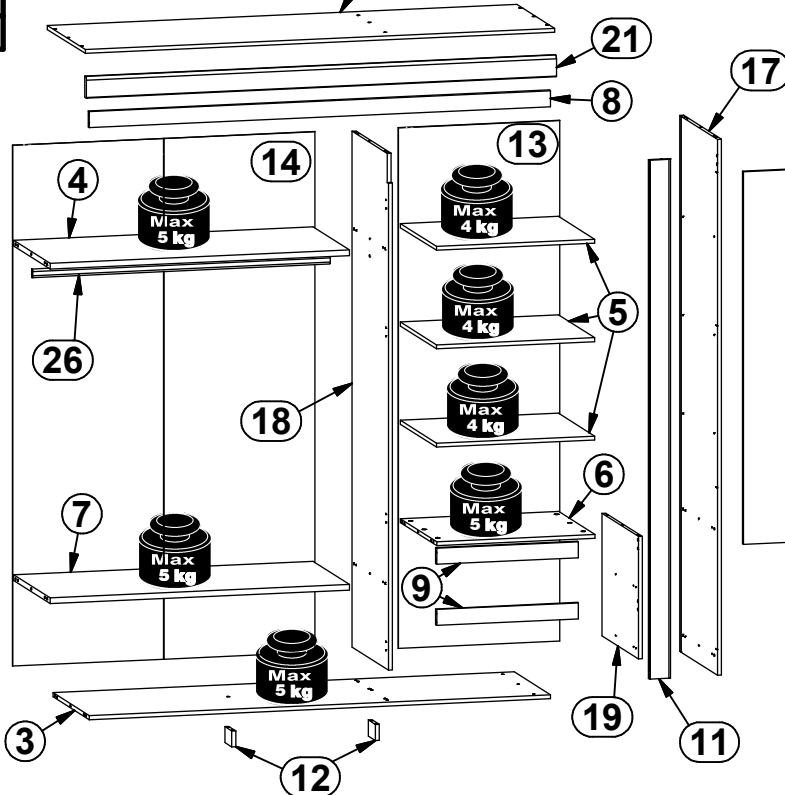
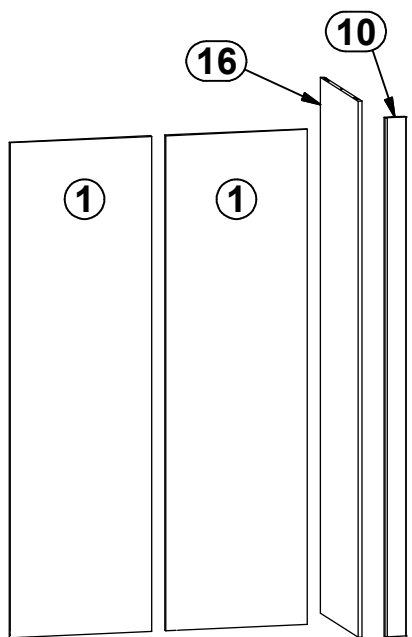
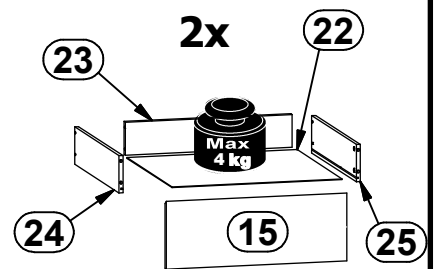
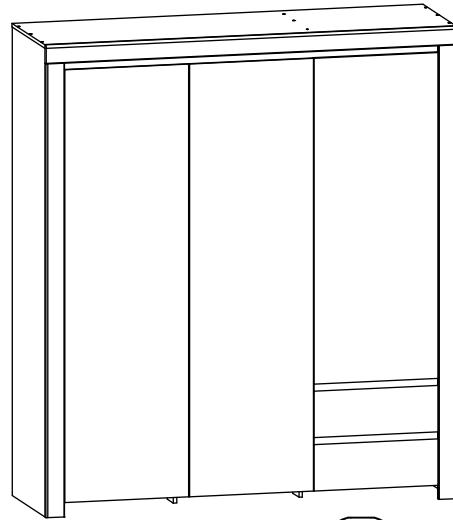
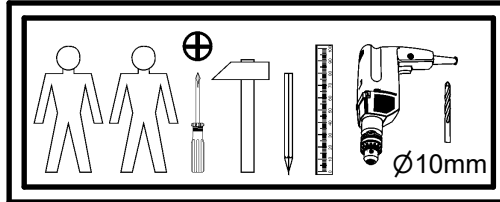
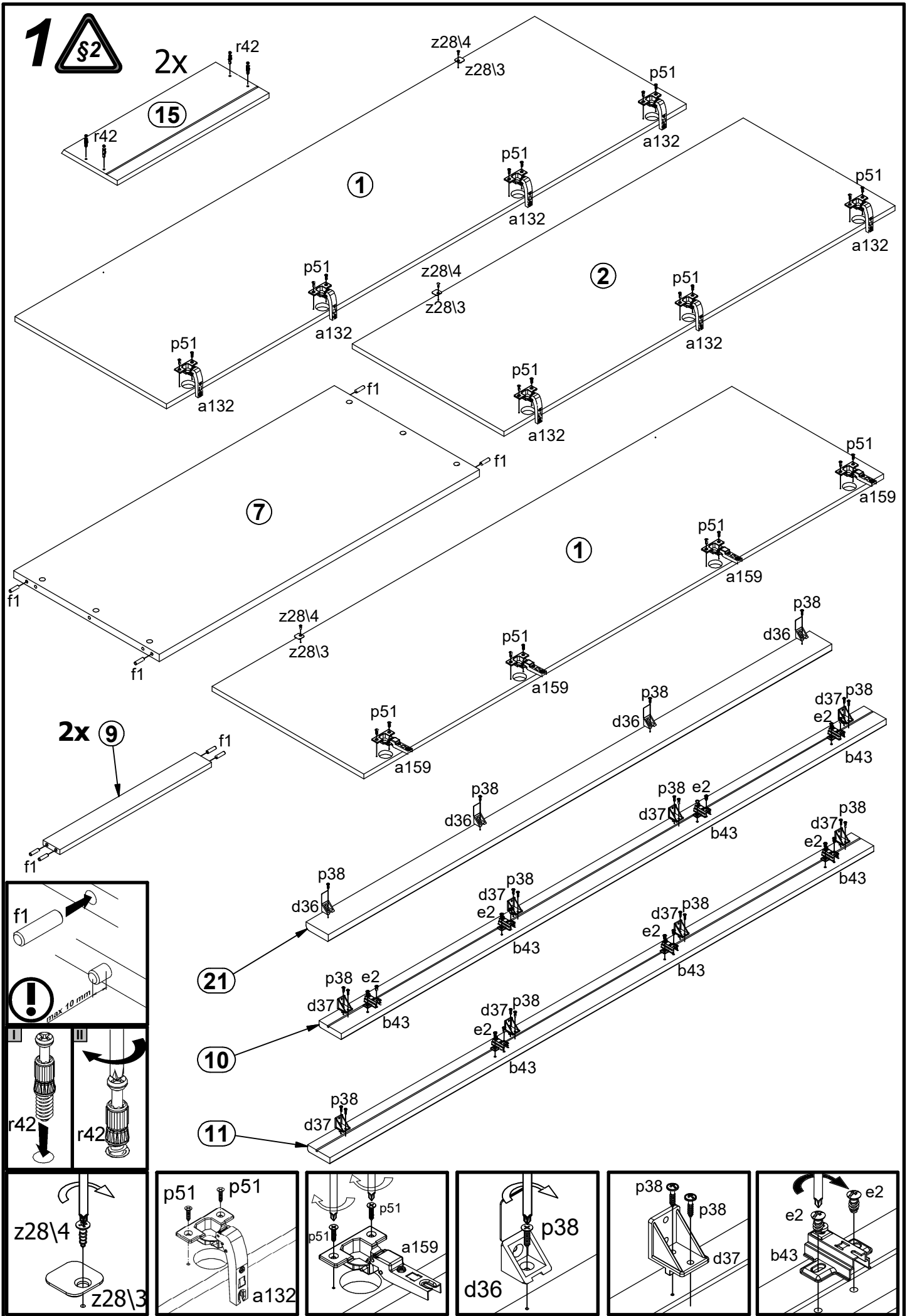


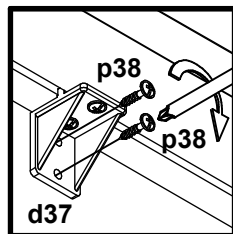
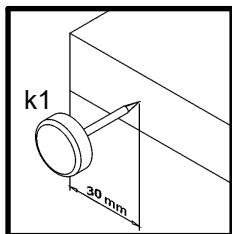
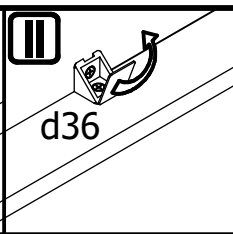
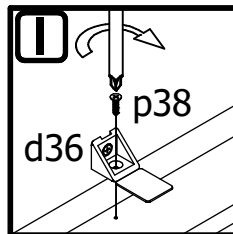
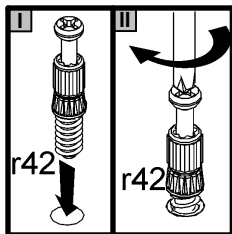
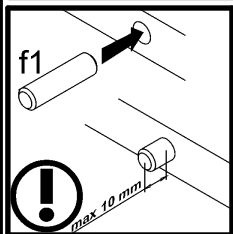
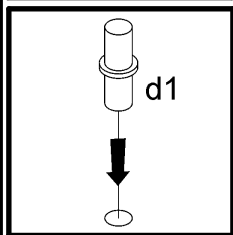
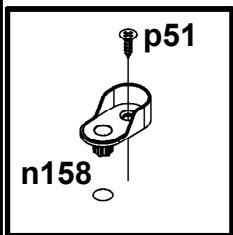
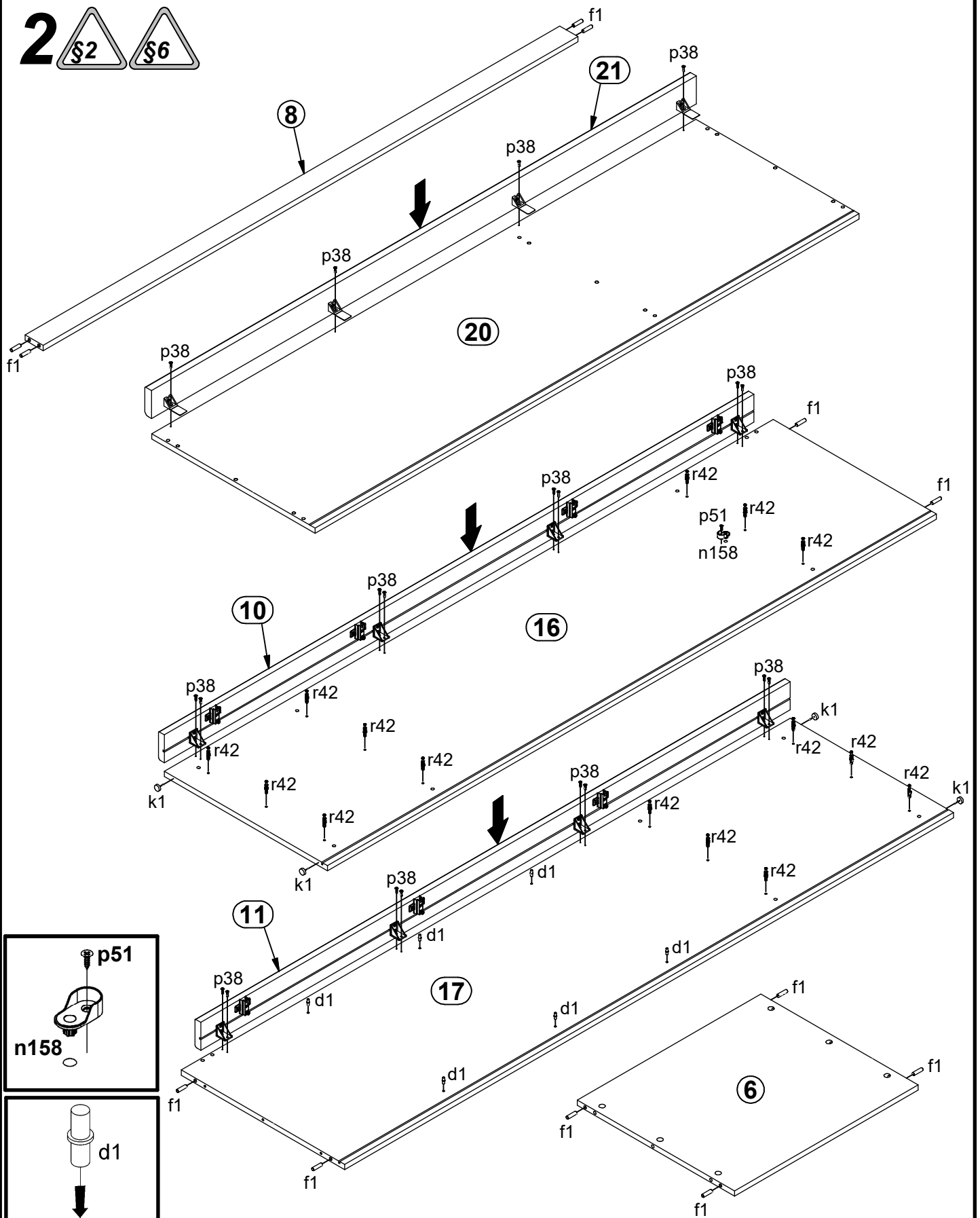
A	B	C		D
1	S440-0007/A	1860	543	5/6
2	S493-0008	1400	543	5/6
3	S440-3002	1769	520	3/6
4	S440-3003/A	1147	520	4/6
5	S440-3004	606	515	2/6
6	S440-3005	607	520	4/6
7	S440-3006	1147	520	4/6
8	S440-4013	1769	60	3/6
9	S440-4014	543	60	2/6
10	S440-5013	1950	80	2/6
11	S493-5014	1950	80	2/6
12	S440-5015	100	60	2/6
13	S440-9006	1957	619	1/6
14	S440-9302	1957	1159	1/6
15	S493-0006	543	200	5/6
16	S493-1012	2014	540	1/6
17	S493-1013	2014	540	1/6
18	S493-1014	1939	520	2/6
19	S493-1015	460	520	4/6
20	S493-2003	1800	540	3/6
21	S493-5109	1802	80	1/6
22	S493-9005	513	507	2/6
23	ZQ6-5058	503	97	2/6
24	ZQ6-523	500	110	2/6
25	ZQ6-524	500	110	2/6
26	dr-1141	1141	30	2/6



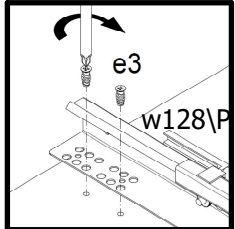
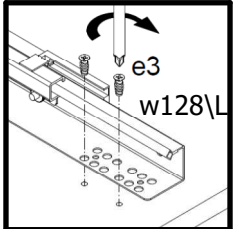
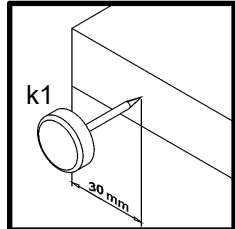
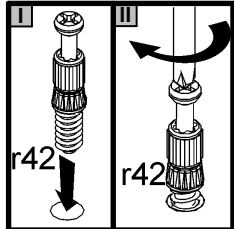
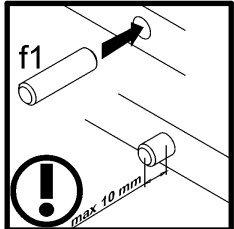
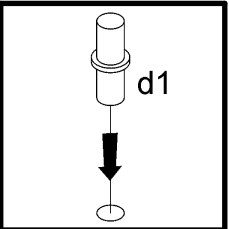
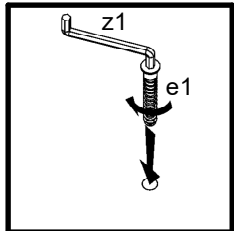
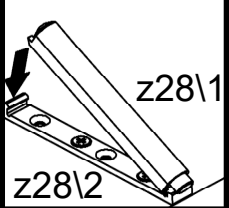
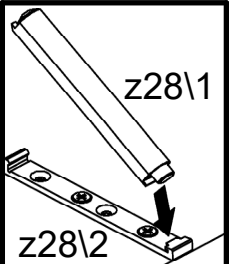
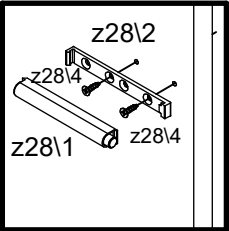
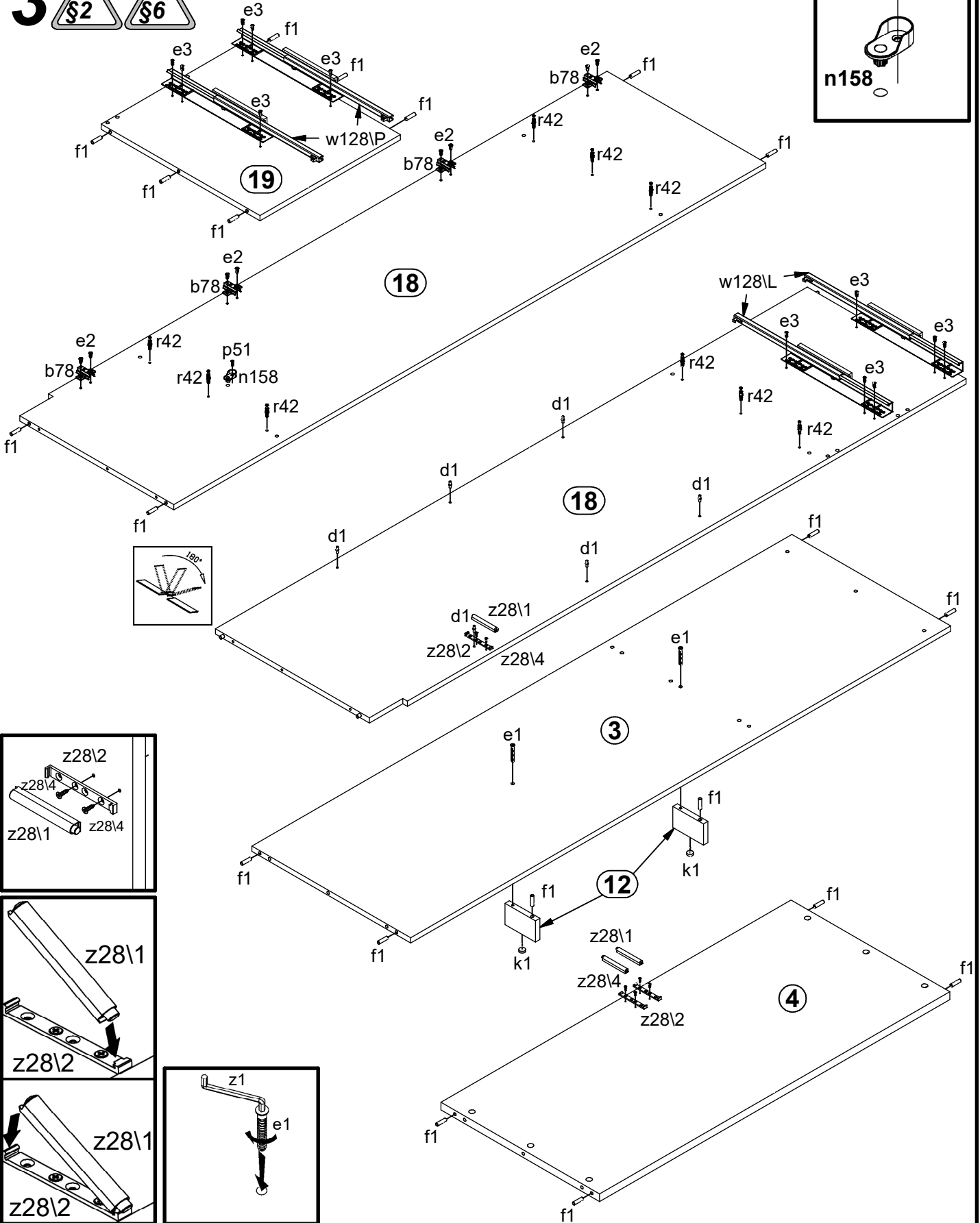
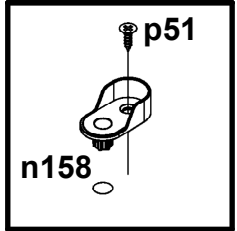
7x a132	4x a159	7x b43	4x b78	12x Ø5x17 mm d1	4x d36	8x d37	14x Ø7x50 mm e1	22x Ø6.3x13 mm e2
12x Ø6x13 mm e3	44x Ø8x30 mm f1	8x Ø6.5x40 mm f25	6x k1	14x i2	10x 22x9.5x20.7 mm n108	2x n158	2x Ø3.5x10 mm p35	41x Ø3.5x16 mm p38
26x Ø3.5x15 mm p51	40x Ø2.9x16 mm p55	24x Ø15x12 mm #16 r1	8x Ø12x10.5 mm #12 r15	32x 20/11 r42	1x Ø14x0.5 mm s59	6x Ø 20mm s68	2x 500 mm t34	2x 500 mm w128/L
2x 500 mm w128/P	3x z28/1	3x 82x9.5/6.5 mm z28/2	3x 20x20/1.5 mm z28/3	9x Ø3x12mm z28/4	1x 4 mm z1			1x n26



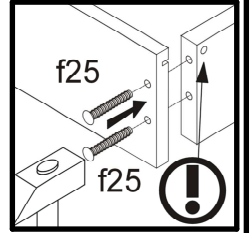
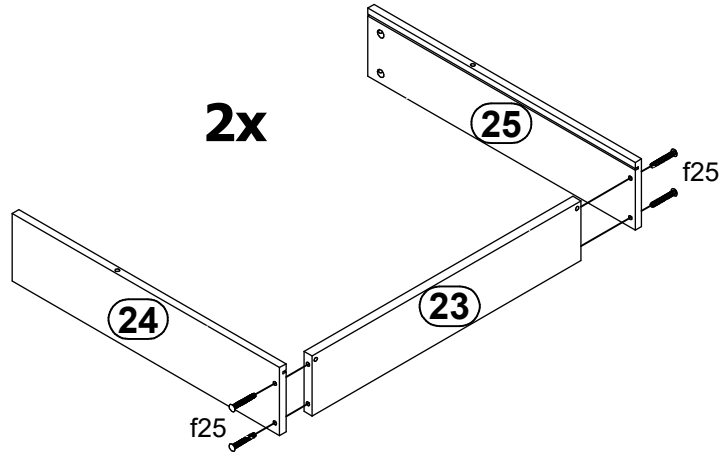
2  



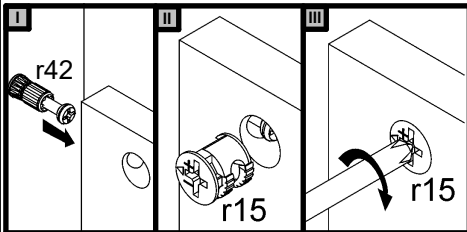
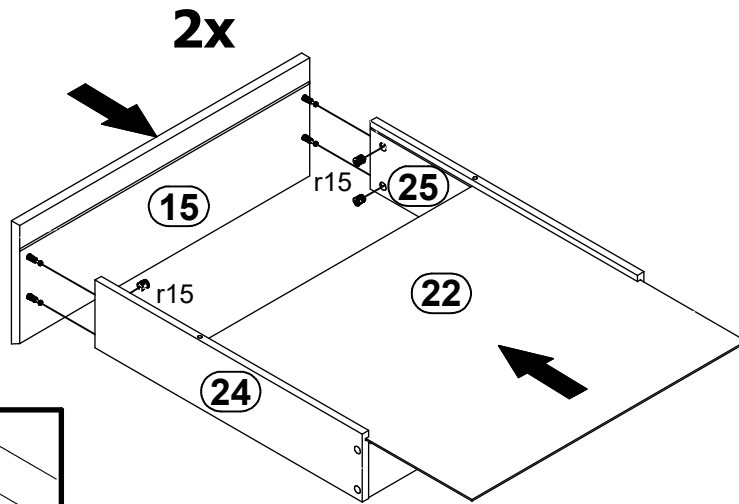
3



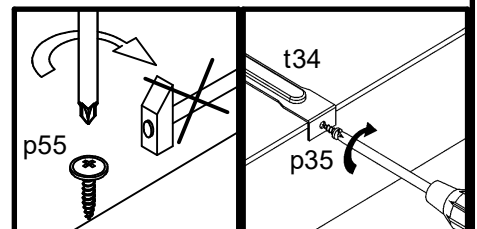
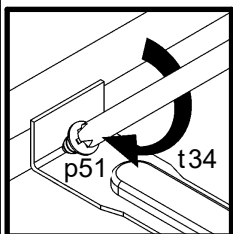
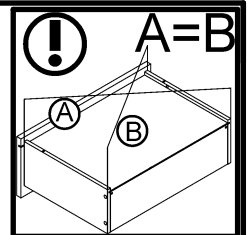
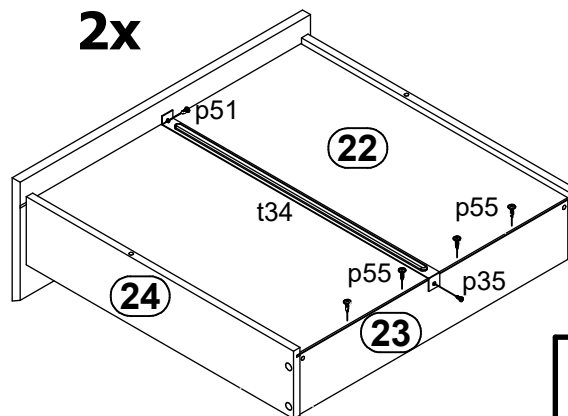
4  



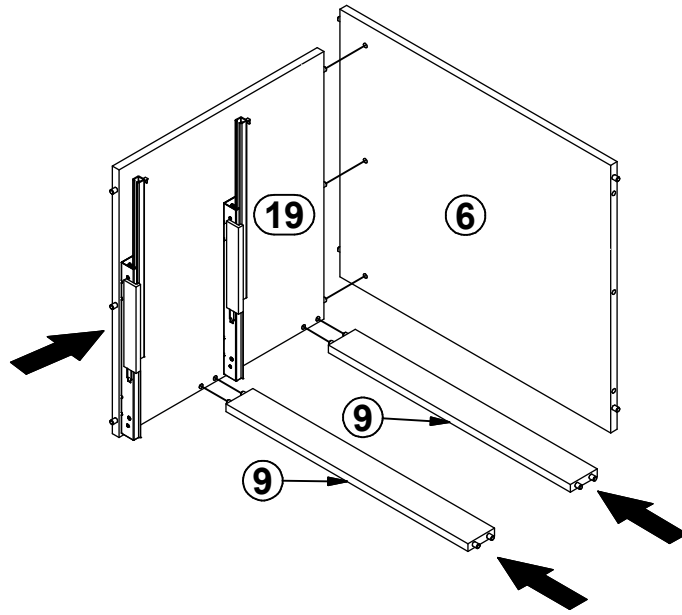
5 



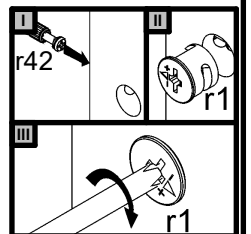
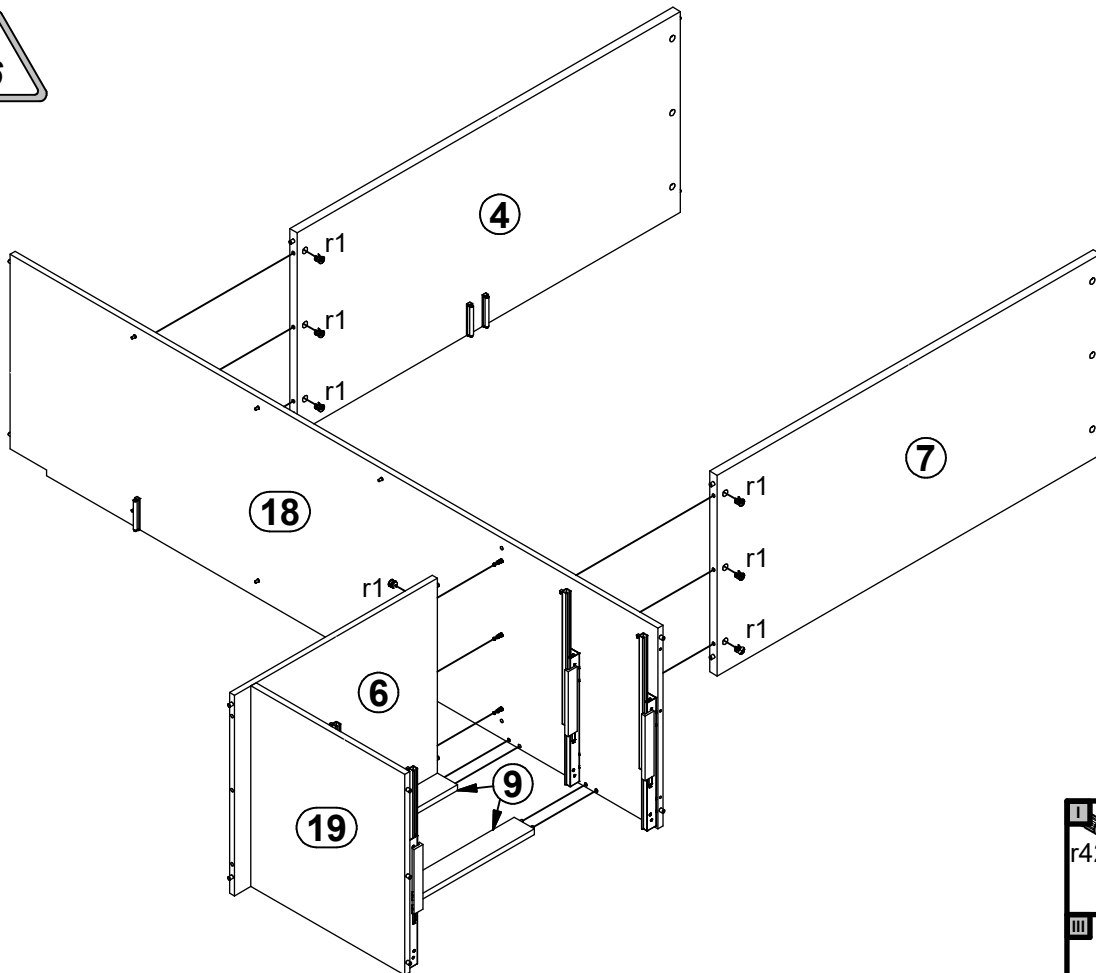
6  



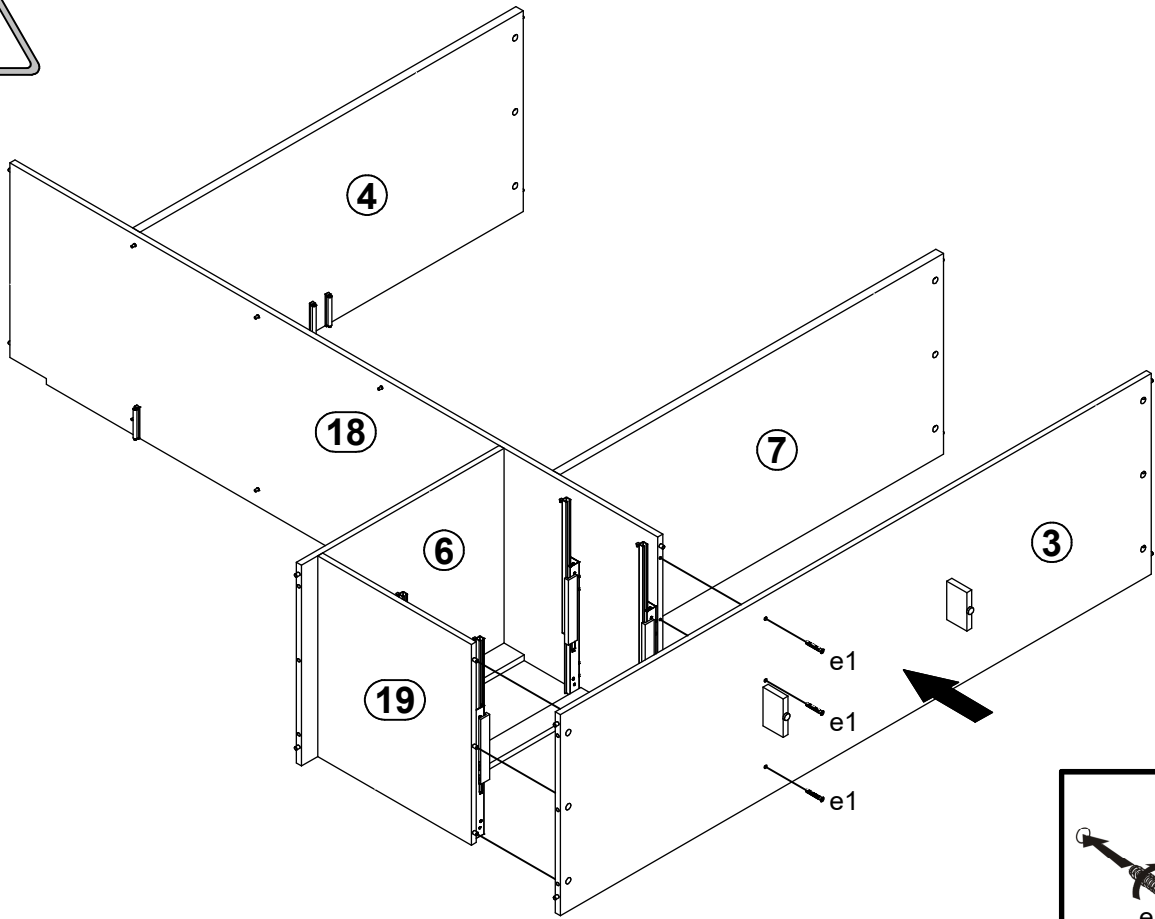
7 §6



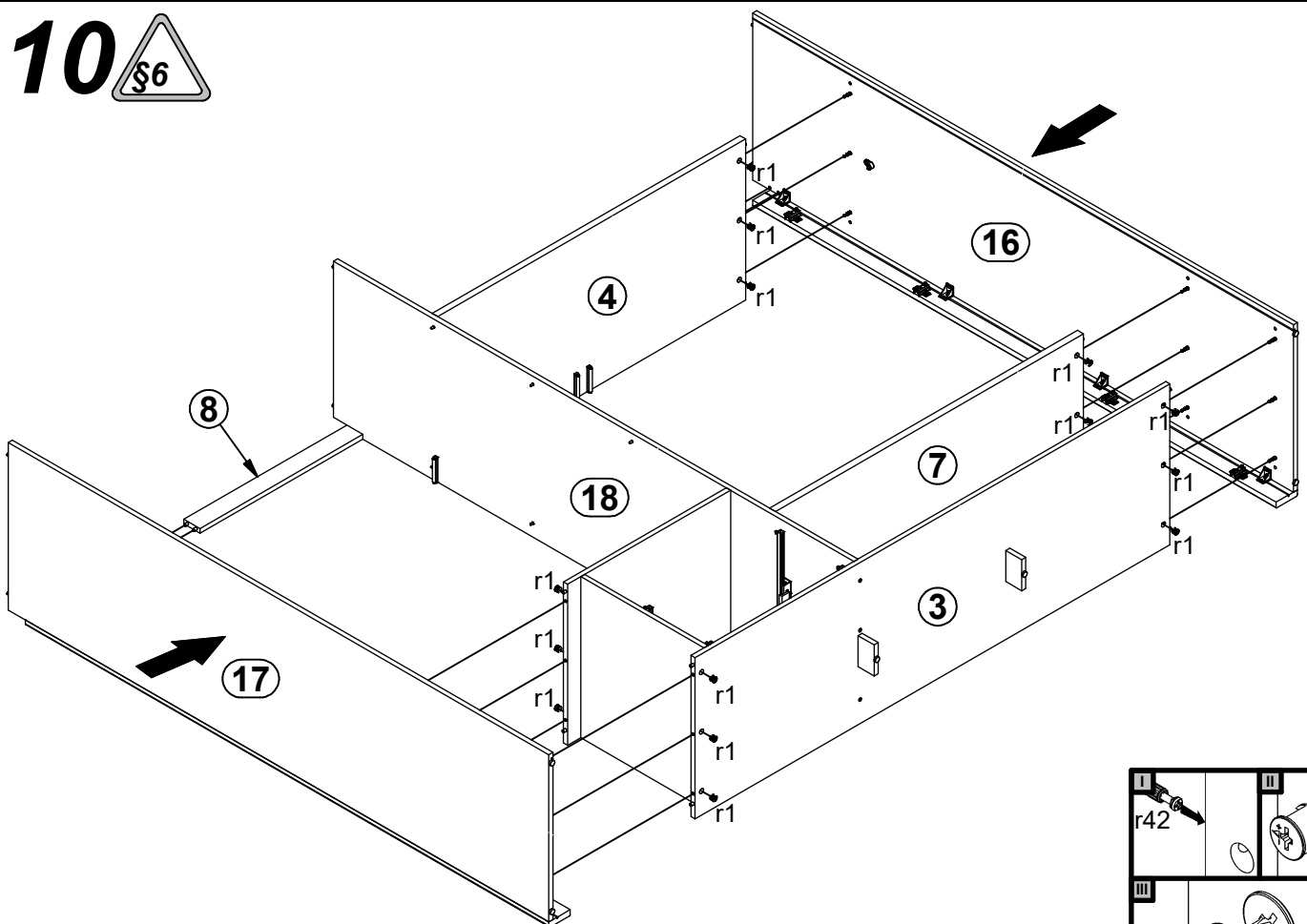
8 §6



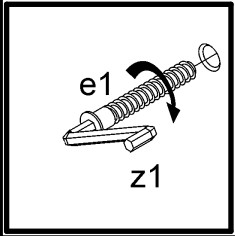
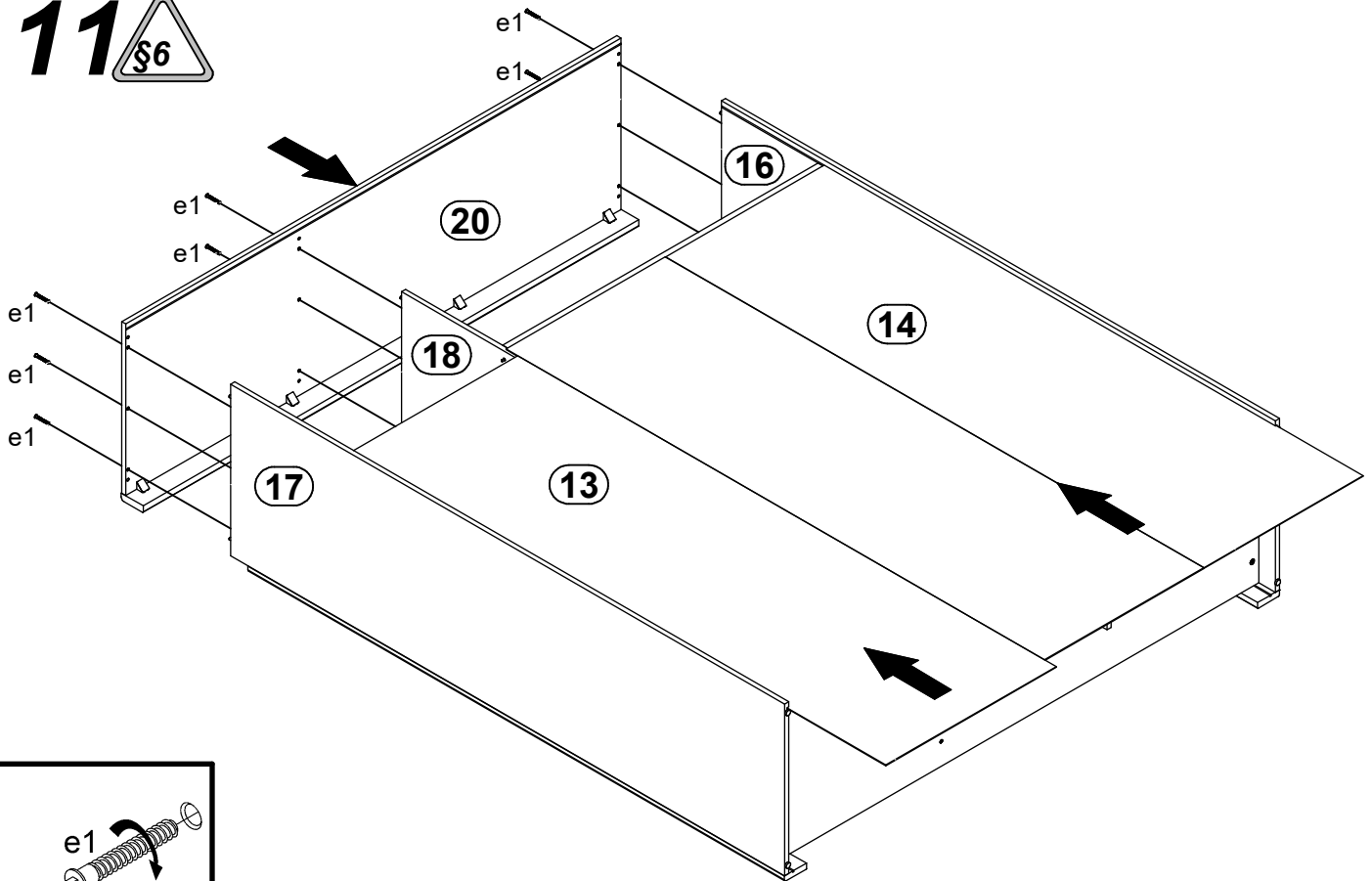
9 



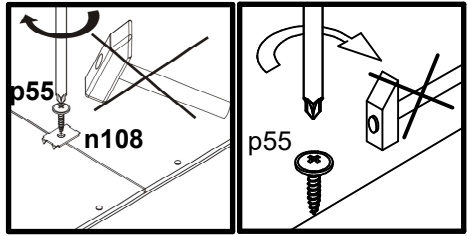
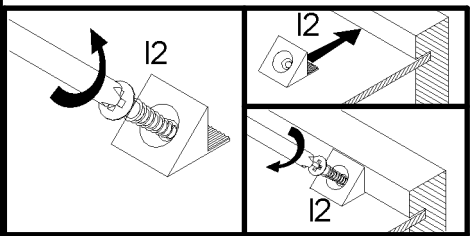
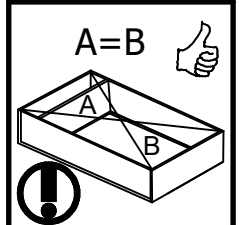
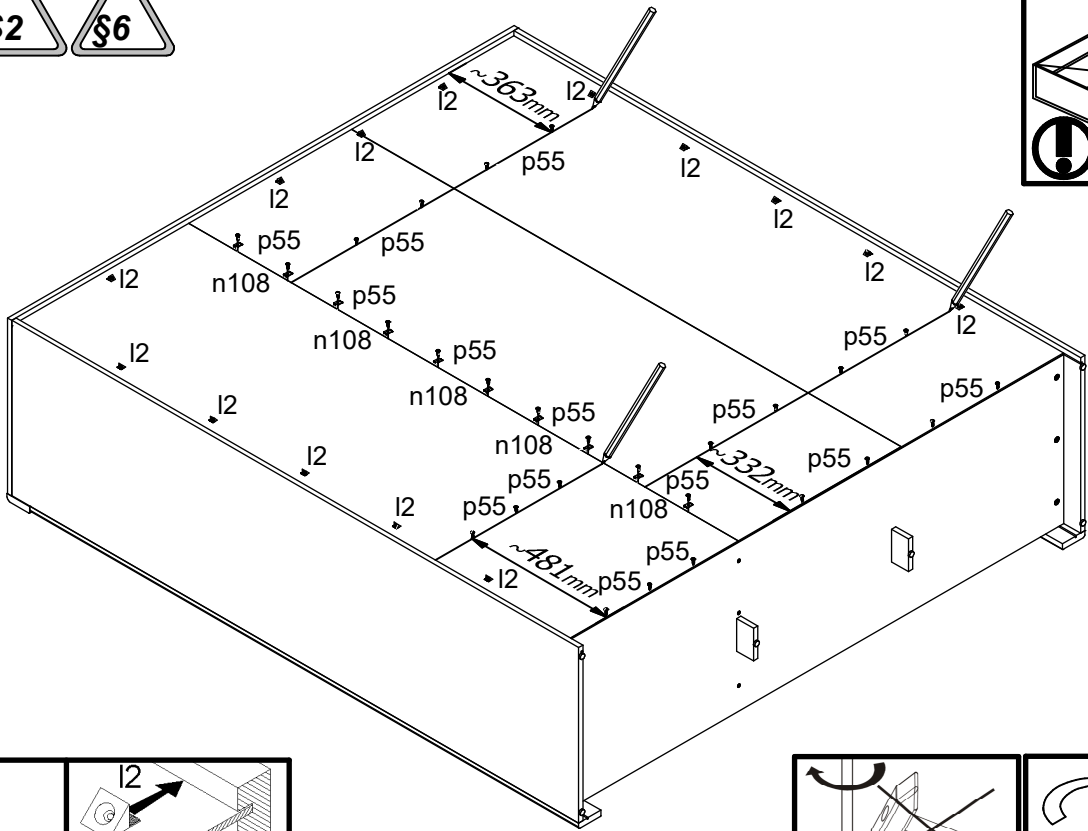
10 



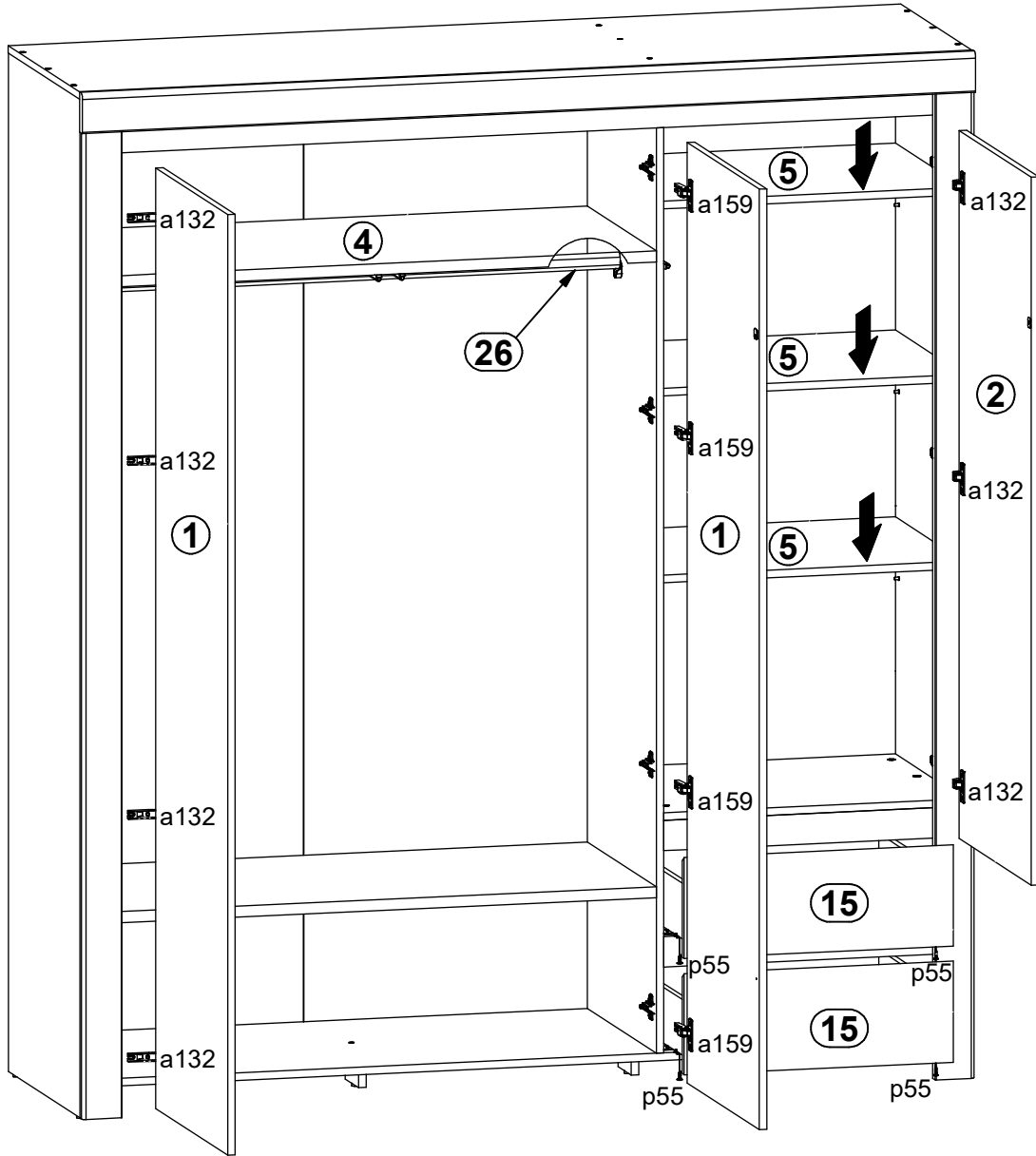
11



12



13



<p>n158</p>	<p>n26, p38</p>	<p>b78, a159</p>				
<p>s59, e1</p>	<p>s68</p>	<p>b43, a132</p>				
<p>d1</p>	<p>I</p>	<p>II</p>	<p>III</p>	<p>IV</p>	<p>p55</p>	