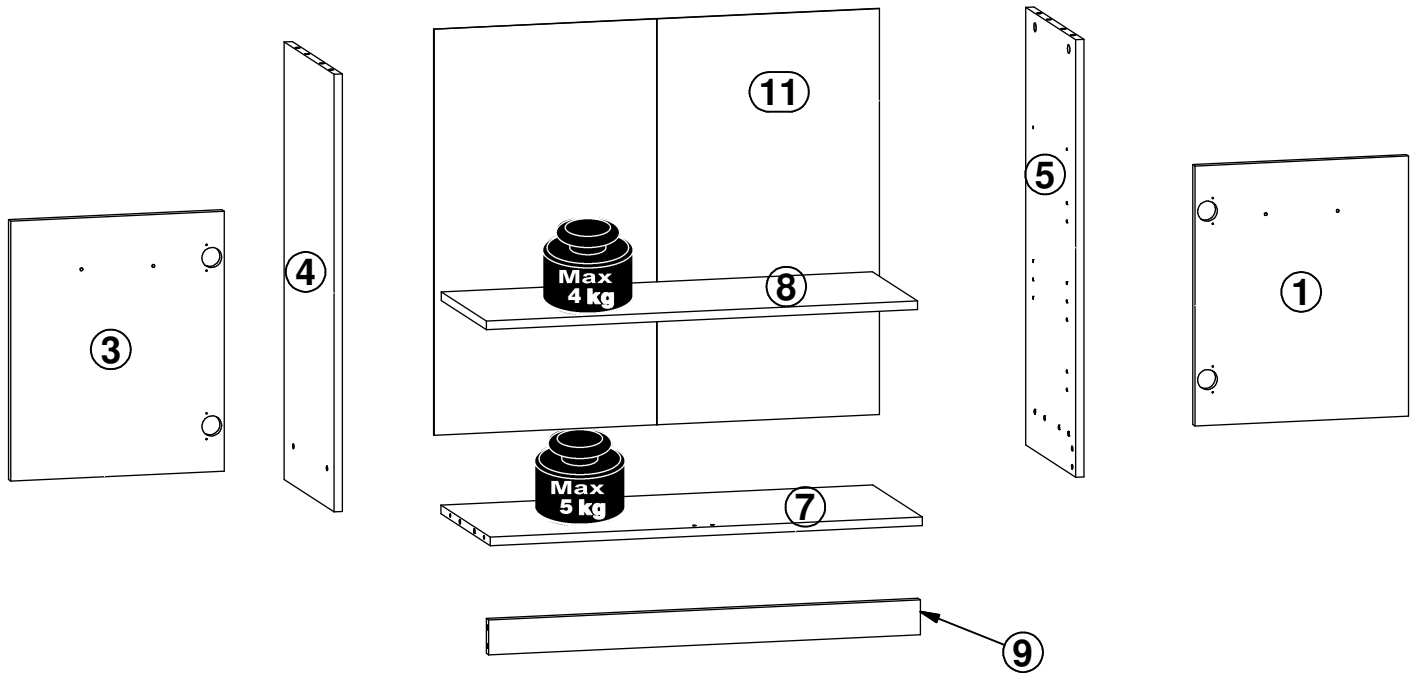
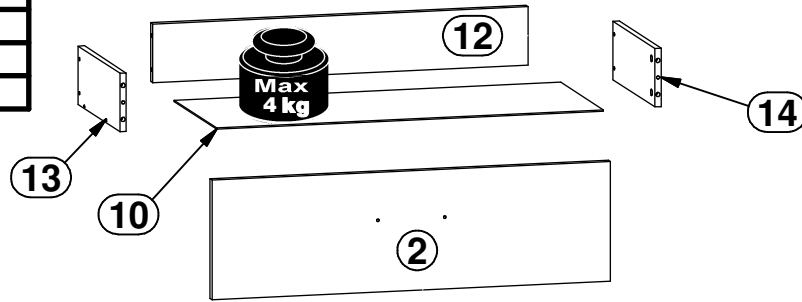
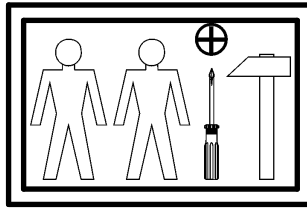
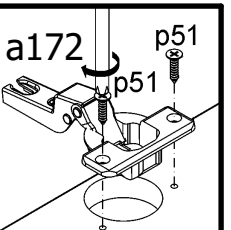
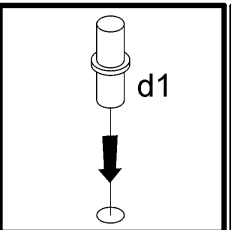
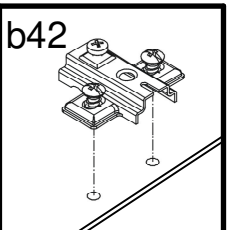
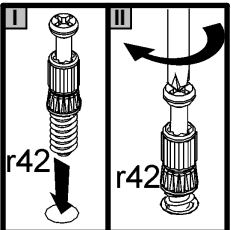
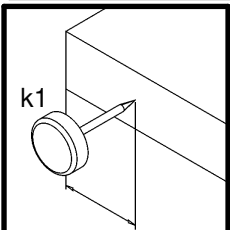
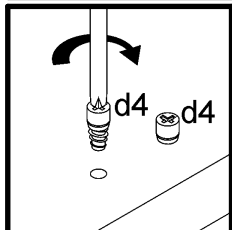
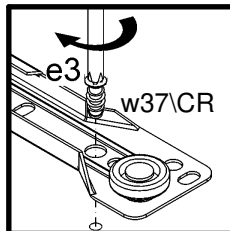
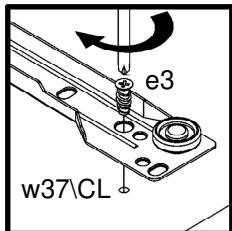
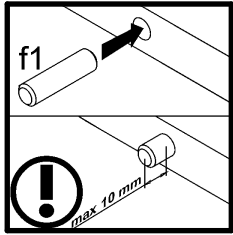
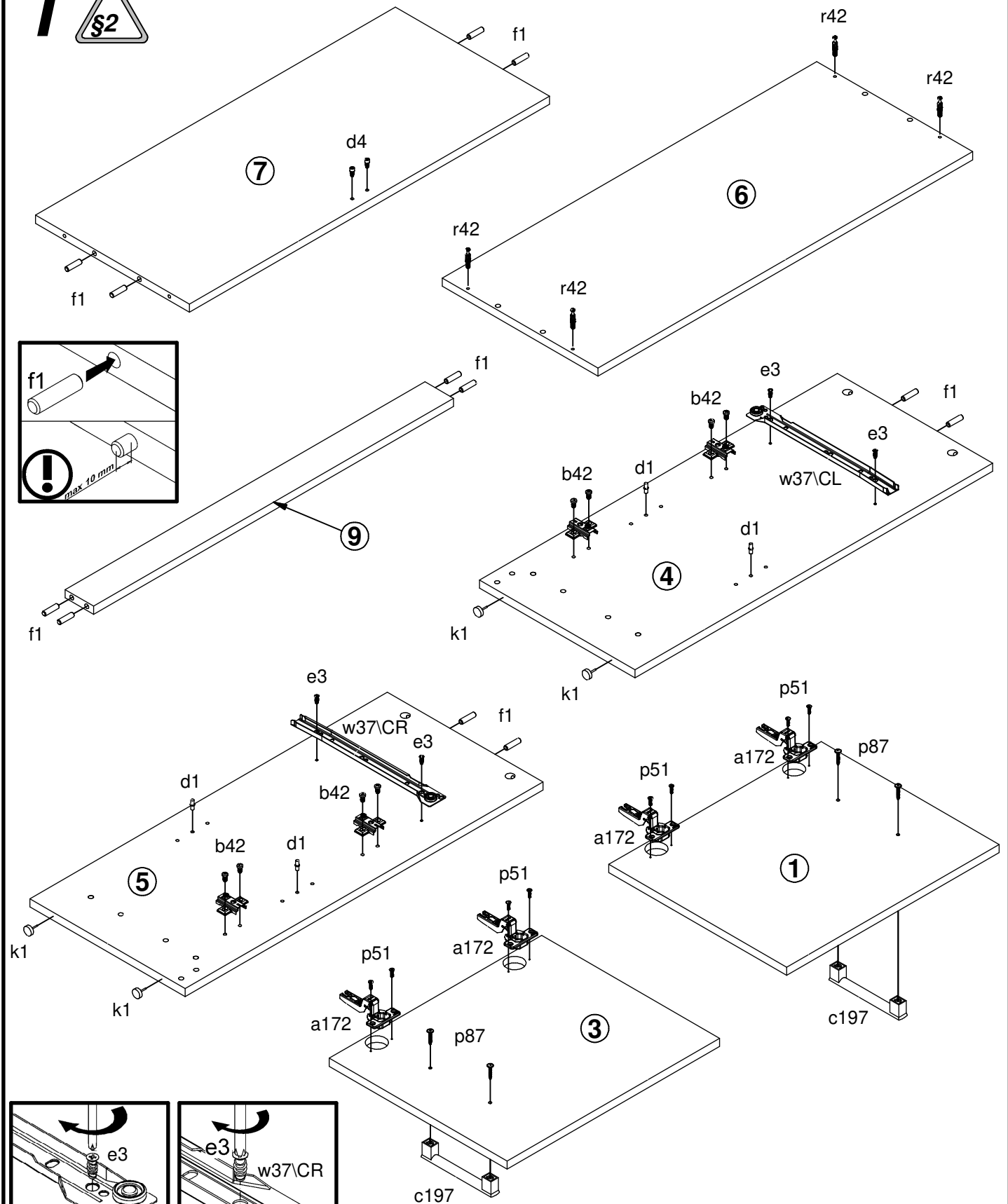


A	B	C	D	
1	S414-0002	454	380	1/1
2	S414-0004	764	225	1/1
3	S414-0008	454	380	1/1
4	S414-1016	764	332	1/1
5	S414-1017	764	332	1/1
6	S414-2002	800	333	1/1
7	S414-3010	769	329	1/1
8	S414-3011	768	300	1/1
9	S414-4002	769	61	1/1
10	S414-9002	742	305	1/1
11	S414-9301	709	793	1/1
12	ZS7-5011	720	110	1/1
13	ZS7-523	300	110	1/1
14	ZS7-524	300	110	1/1

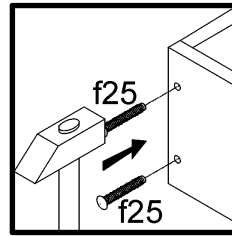
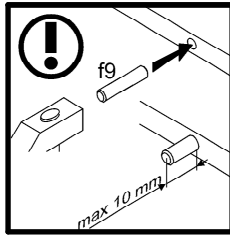


4x K18 Ø35 a172	4x b42	3x 128 mm c197	4x Ø5x17 mm d1	2x Ø6.3x15 mm d4	4x Ø7x50 mm e1	4x Ø5x9 mm e19	4x Ø6x13 mm e3	12x Ø8x30 mm f1
4x Ø6.5x40 mm f25	2x Ø6x30 mm f9	4x k1	30x 1.4x20 mm l1	1x Ø3.5x10 mm p35	1x Ø3.5x16 mm p38	9x Ø3.5x15 mm p51	6x Ø4x25 mm p87	6x Ø2.9x16 mm p55
4x Ø15x12 mm #16 r1	4x Ø12x10.5 mm #12 r15	8x 20/11 r42	1x 300 mm t25	1x 300 mm w37 CL	1x 300 mm w37 CR	1x 300 mm w37 DL	1x 300 mm w37 DR	1x 4 mm z1
1x n26	4x s1							

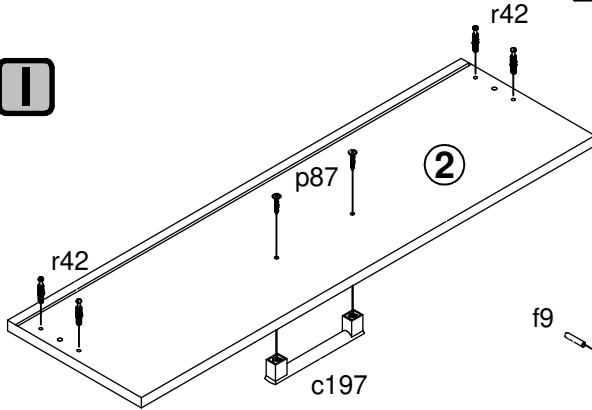
1



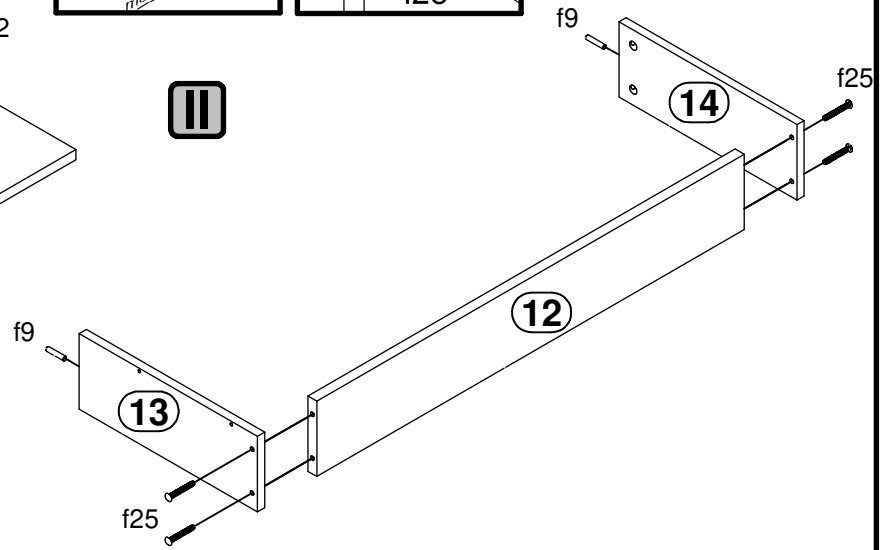
2



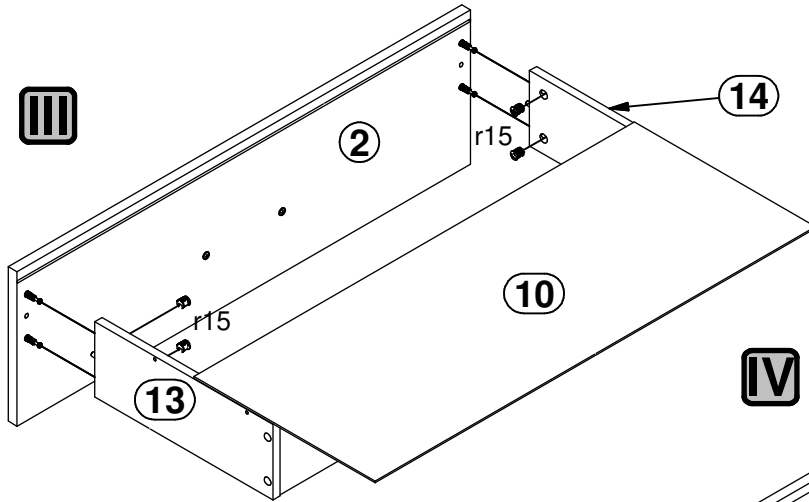
I



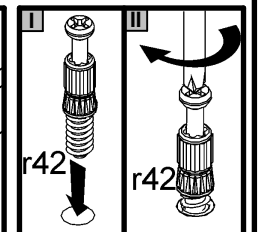
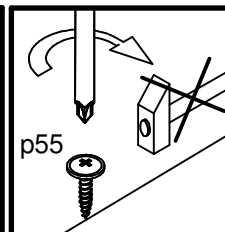
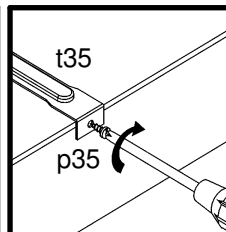
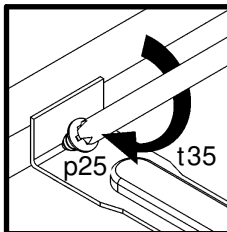
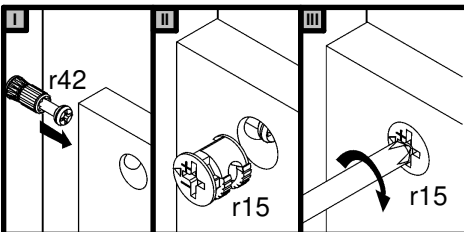
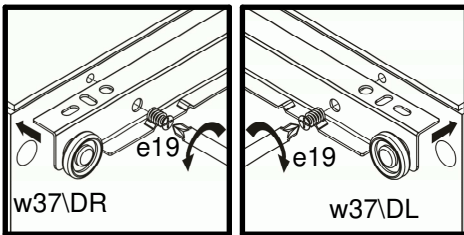
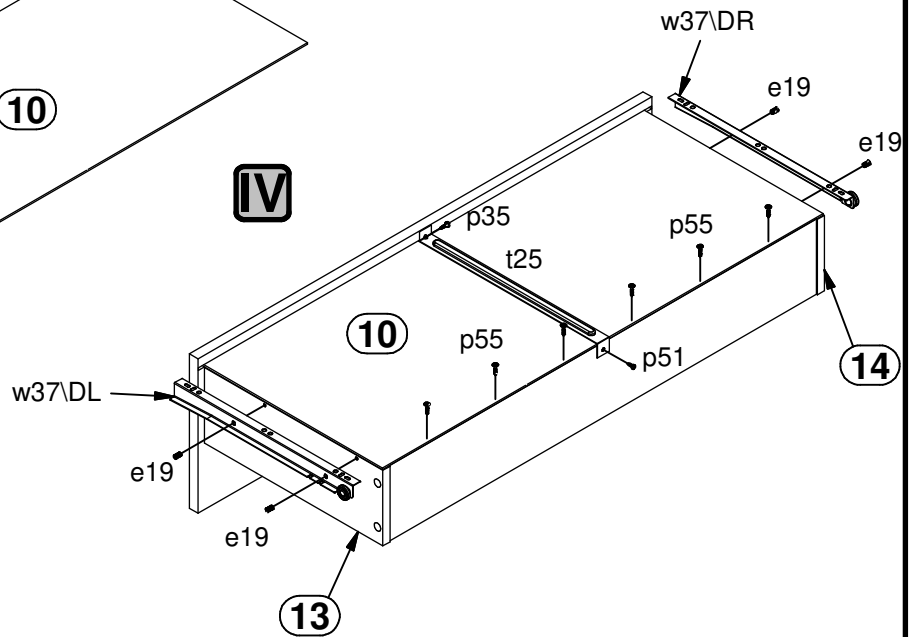
II



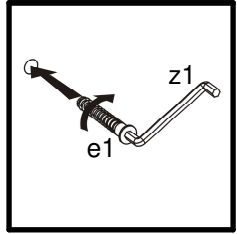
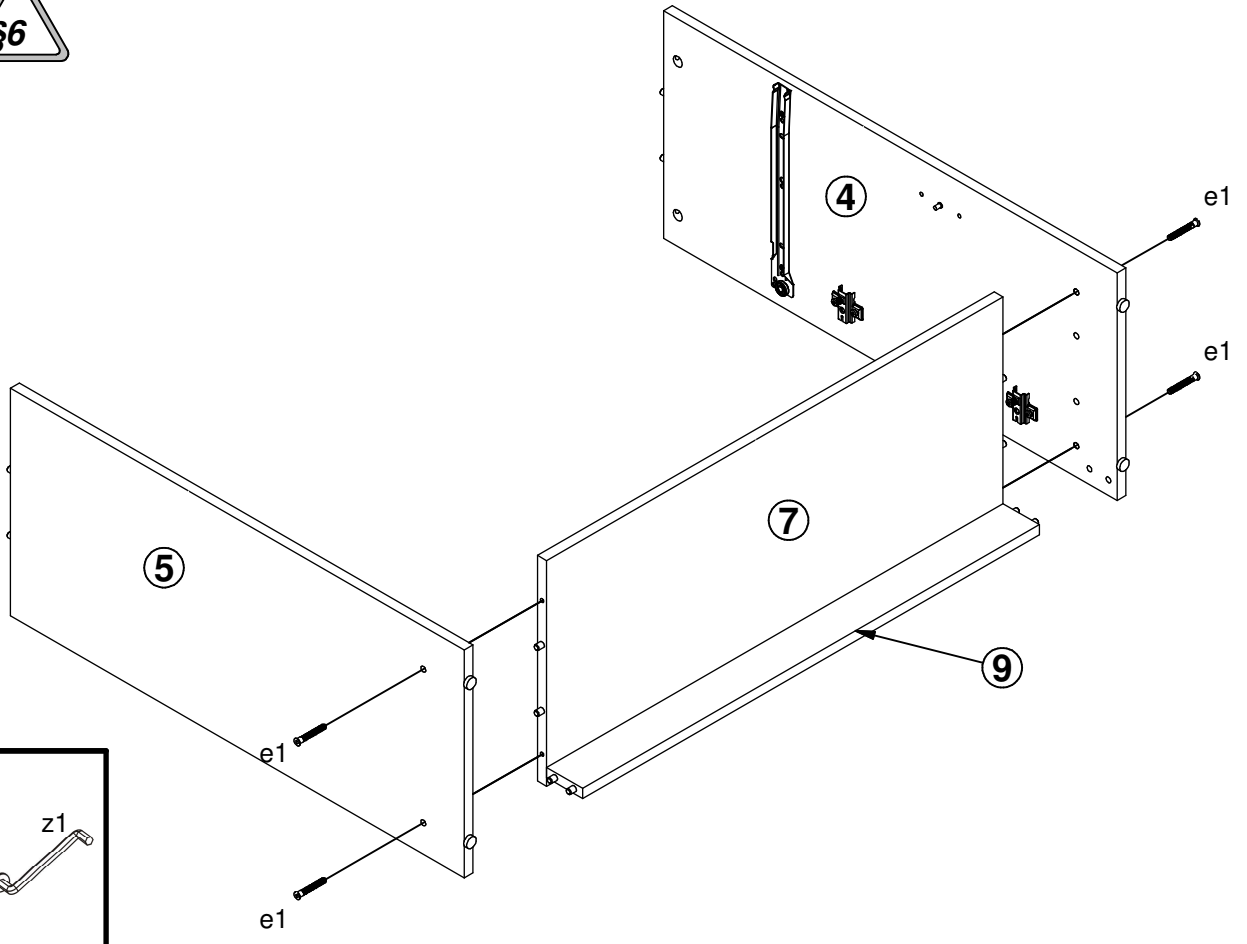
III



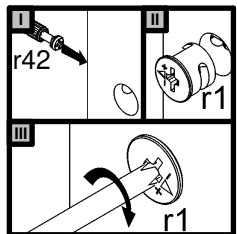
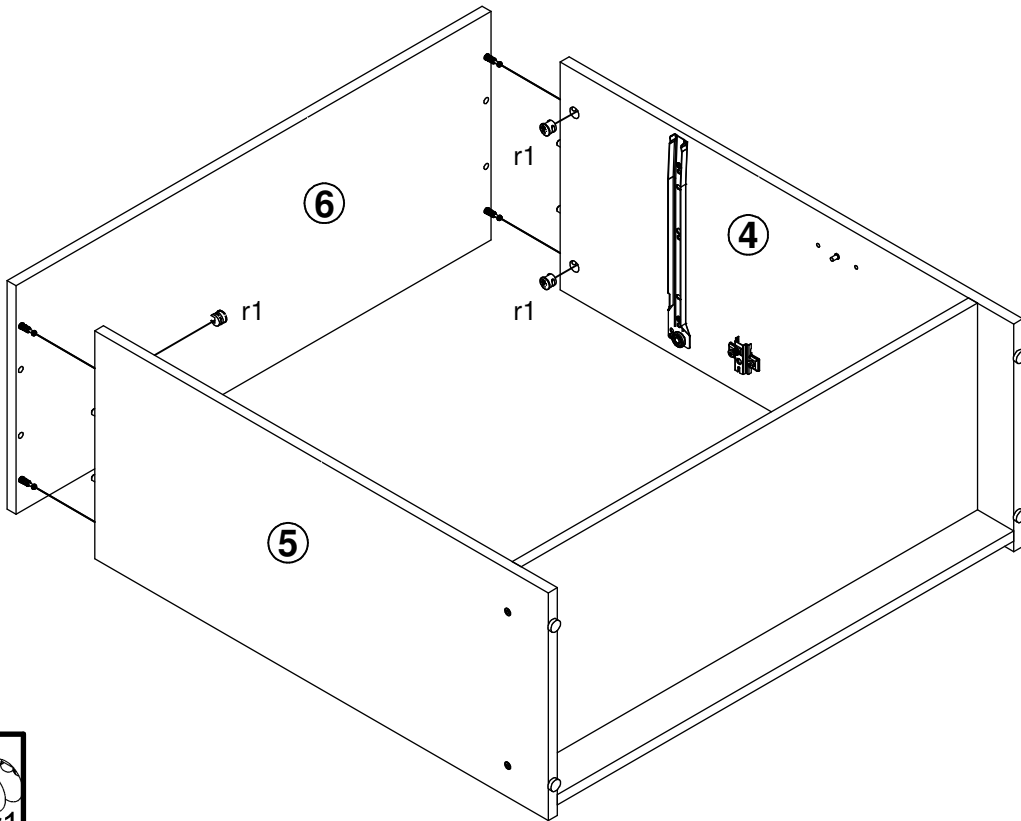
IV



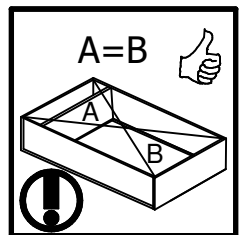
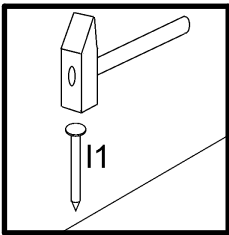
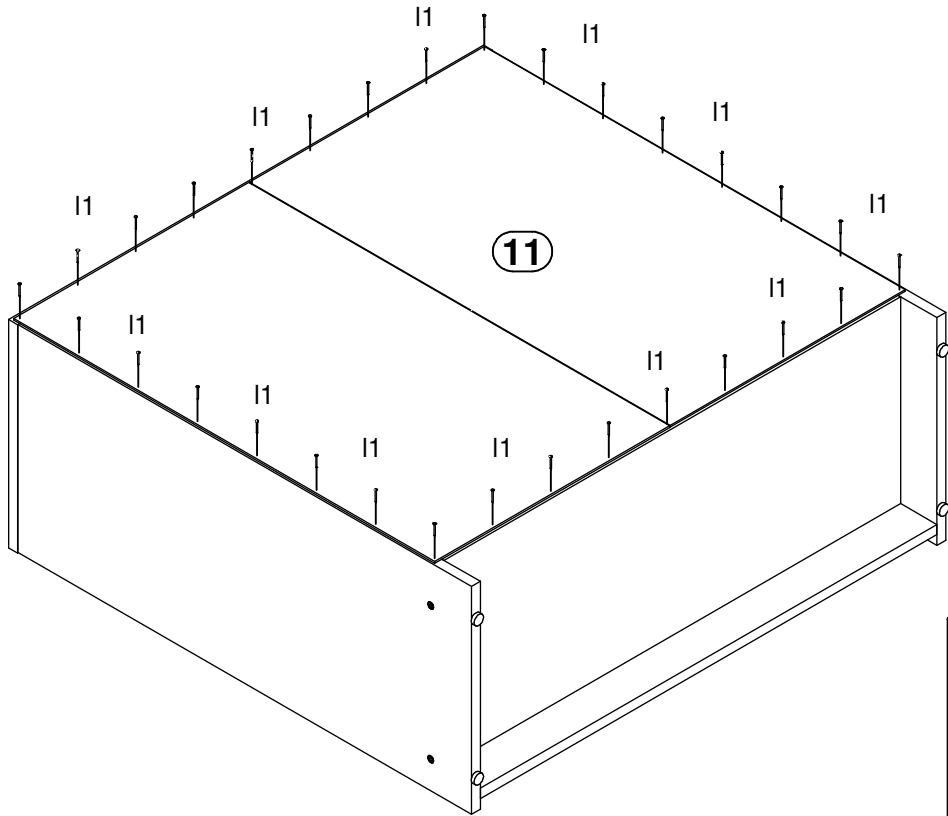
3



4



5



6

